



US00D796491S

(12) **United States Design Patent**
Nealis et al.

(10) **Patent No.:** **US D796,491 S**
(45) **Date of Patent:** **** Sep. 5, 2017**

(54) **OUTDOOR COUPLER UNIT FOR
MULTI-CHANNEL TRUNKING MICROWAVE
DIGITAL RADIOS**

Primary Examiner — John Windmuller

(74) *Attorney, Agent, or Firm* — Morgan, Lewis & Bockius LLP

(71) Applicant: **ZTE Corporation**, Shenzhen (CN)

(72) Inventors: **Edwin John Nealis**, Cary, NC (US);
Ying Shen, Chapel Hill, NC (US);
Thanh Hung Nguyen, Cary, NC (US)

(57) **CLAIM**

The ornamental design for an outdoor coupler unit for multi-channel trunking microwave digital radios, substantially as shown and described.

(73) Assignee: **ZTE CORPORATION**, Shenzhen (CN)

(**) Term: **14 Years**

(21) Appl. No.: **29/491,681**

DESCRIPTION

(22) Filed: **May 22, 2014**

(51) **LOC (10) Cl.** **14-03**

(52) **U.S. Cl.**
USPC **D14/230; D14/238**

(58) **Field of Classification Search**
USPC D14/230–238, 299, 358; 343/700 R–705,
343/711–713, 871–908; 455/90.2–90.3;
333/193; D8/353, 354, 363, 381, 373
CPC H01Q 7/00; H01Q 13/10; H01Q 9/285;
H01Q 19/30; H01Q 19/12; H01Q 1/38;
H05K 11/00; F16M 11/10; F21V 21/30
See application file for complete search history.

FIG. 1 is a front view of an outdoor coupler unit for multi-channel trunking microwave digital radios showing the present design;
FIG. 2 is a rear view of the outdoor coupler unit showing the present design;
FIG. 3 is a top view of the outdoor coupler unit showing the present design;
FIG. 4 is a bottom view of the outdoor coupler unit showing the present design;
FIG. 5 is a left view of the outdoor coupler unit showing the present design;
FIG. 6 is a right view of the outdoor coupler unit showing the present design;
FIG. 7 is a left perspective view of the outdoor coupler unit showing the present design; and,
FIG. 8 is a right perspective view of the outdoor coupler unit showing the present design.

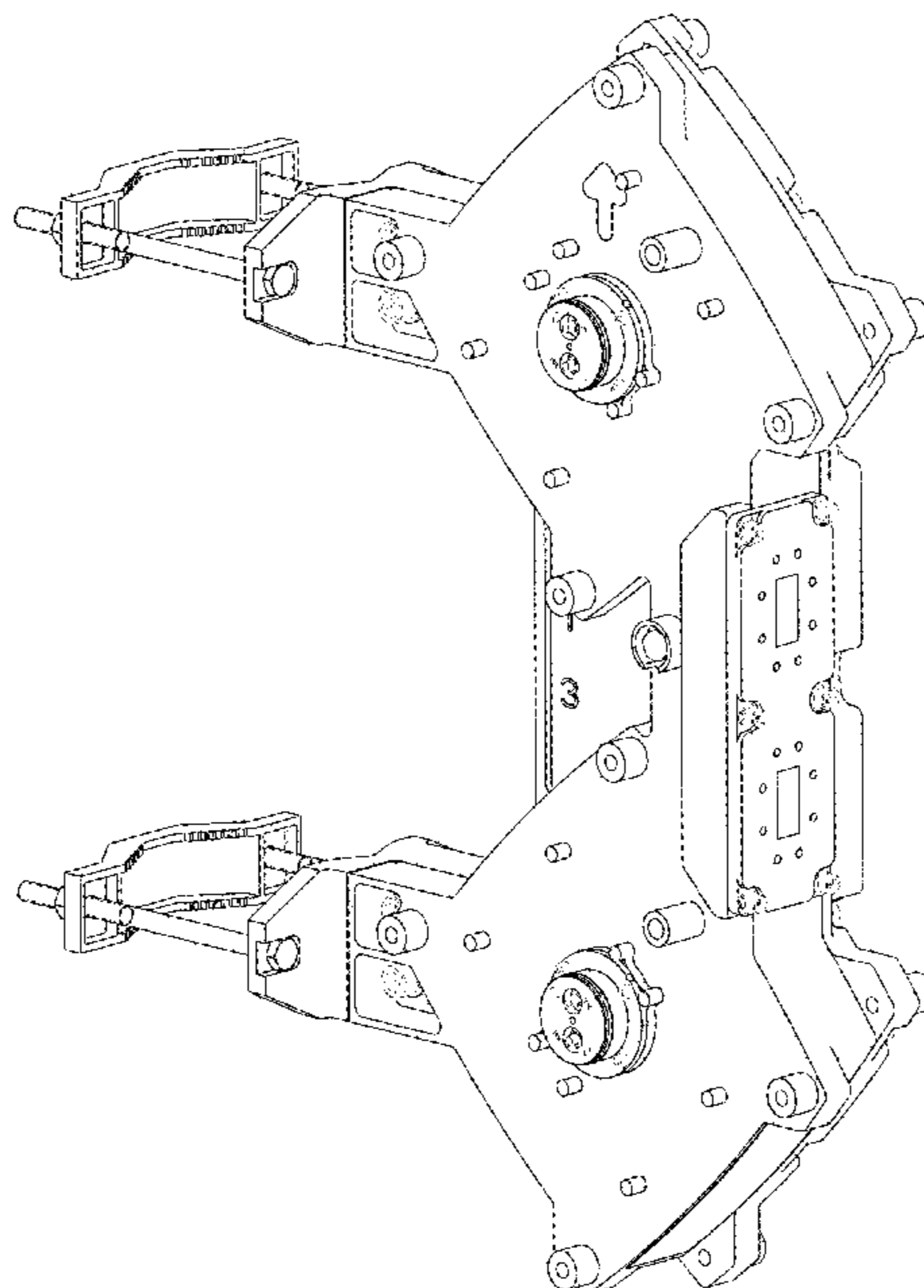
(56) **References Cited**

U.S. PATENT DOCUMENTS

- D363,489 S * 10/1995 Geneve D14/235
- 6,407,713 B1 * 6/2002 Mallenius F16M 11/10
343/765
- 6,664,937 B2 * 12/2003 Vermette H01Q 1/125
248/278.1
- D730,331 S * 5/2015 Wong D14/238

* cited by examiner

1 Claim, 8 Drawing Sheets



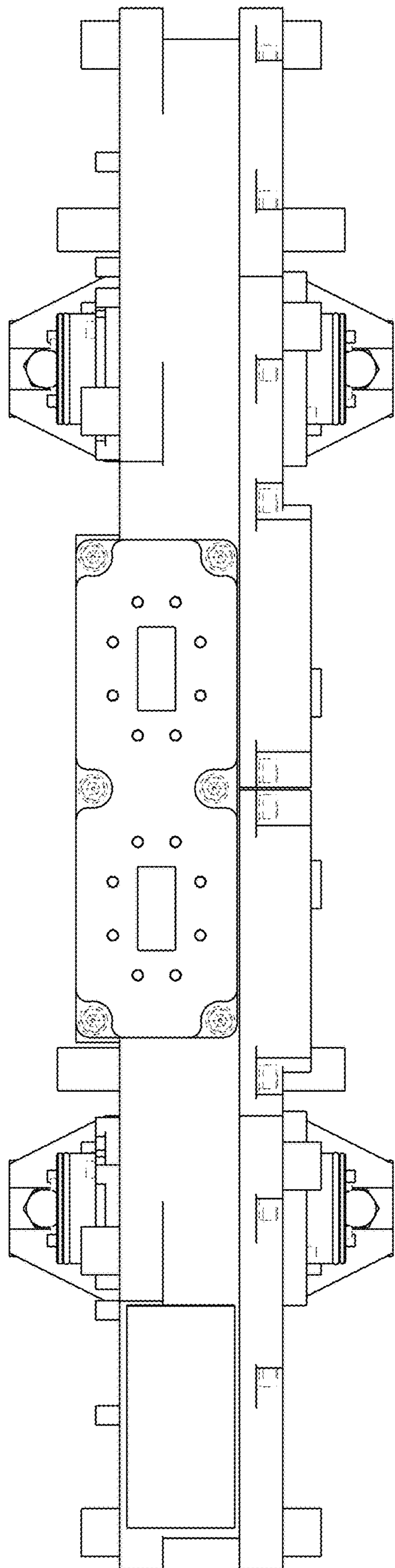


FIG. 1

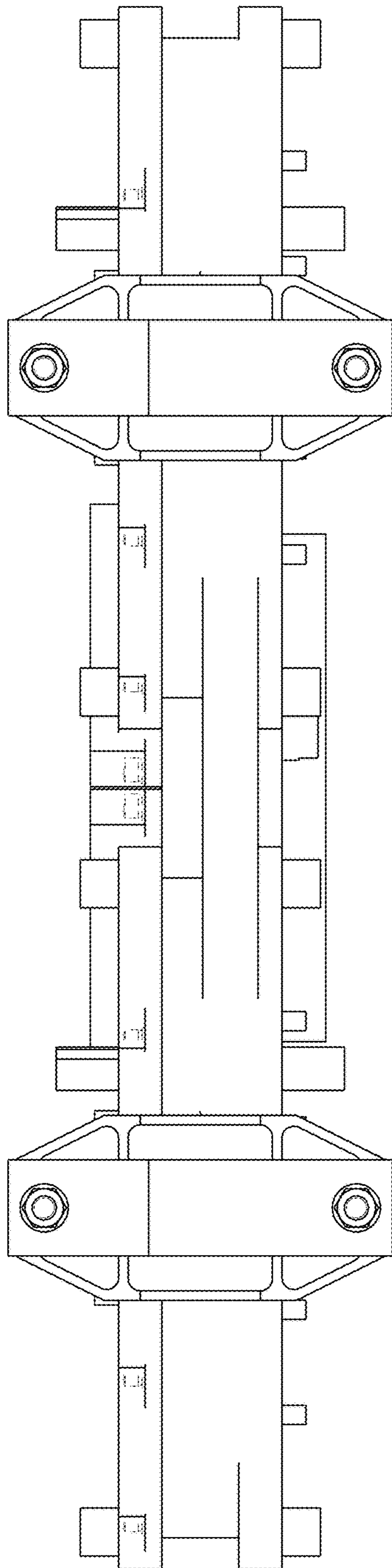


FIG. 2

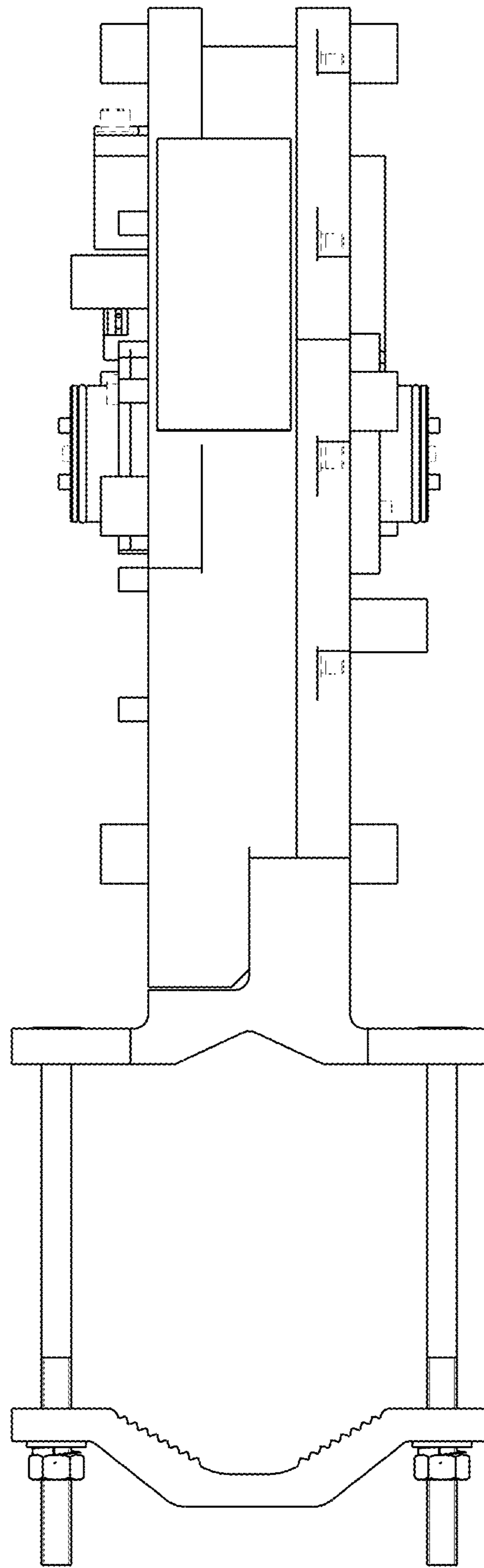


FIG. 3

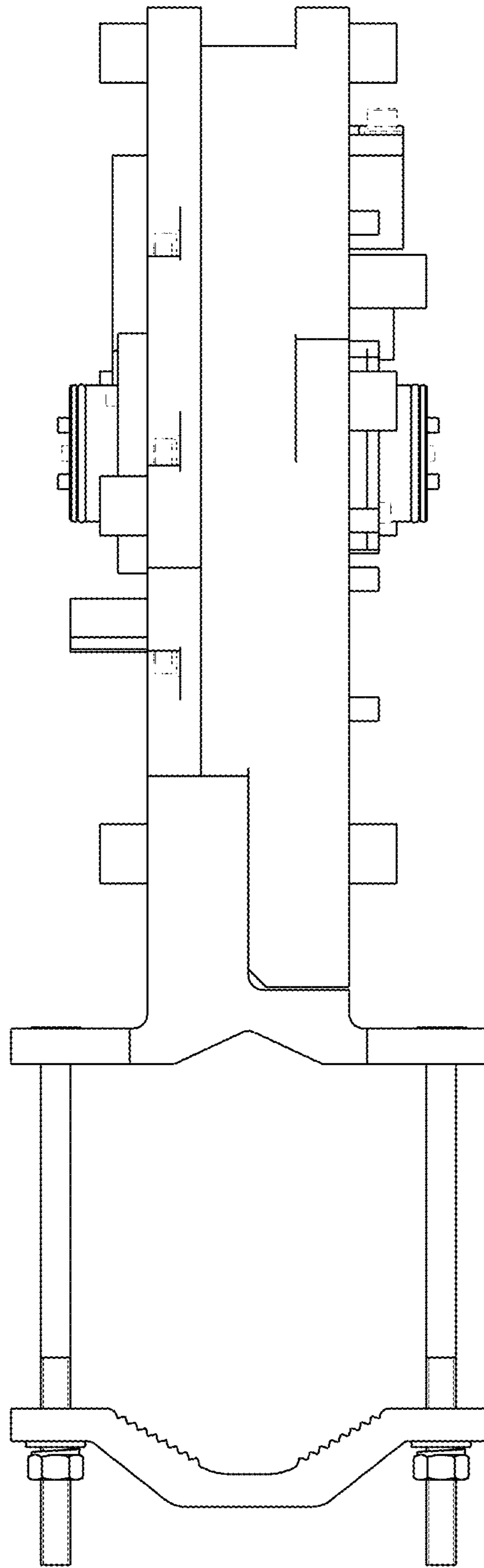


FIG. 4

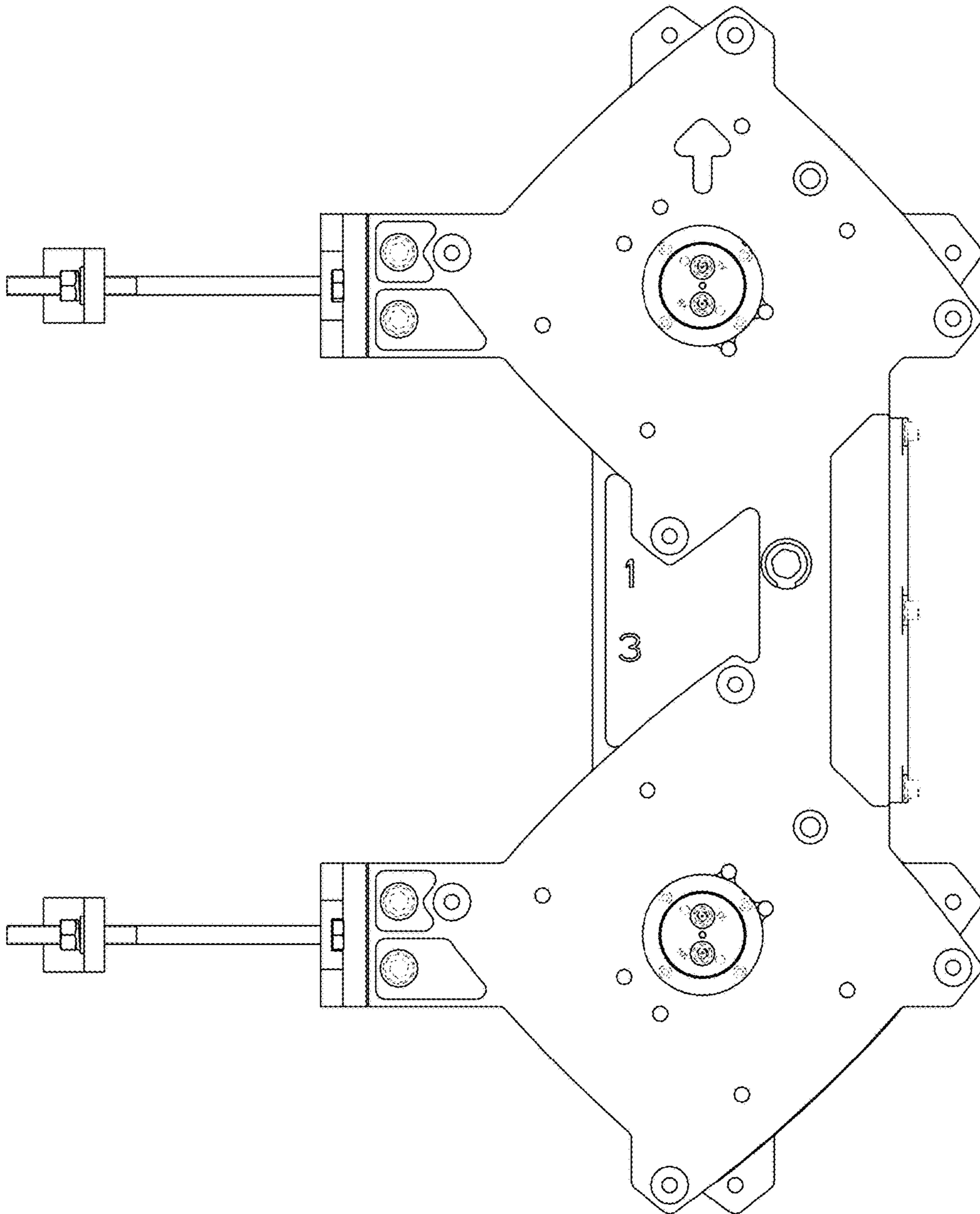


FIG. 5

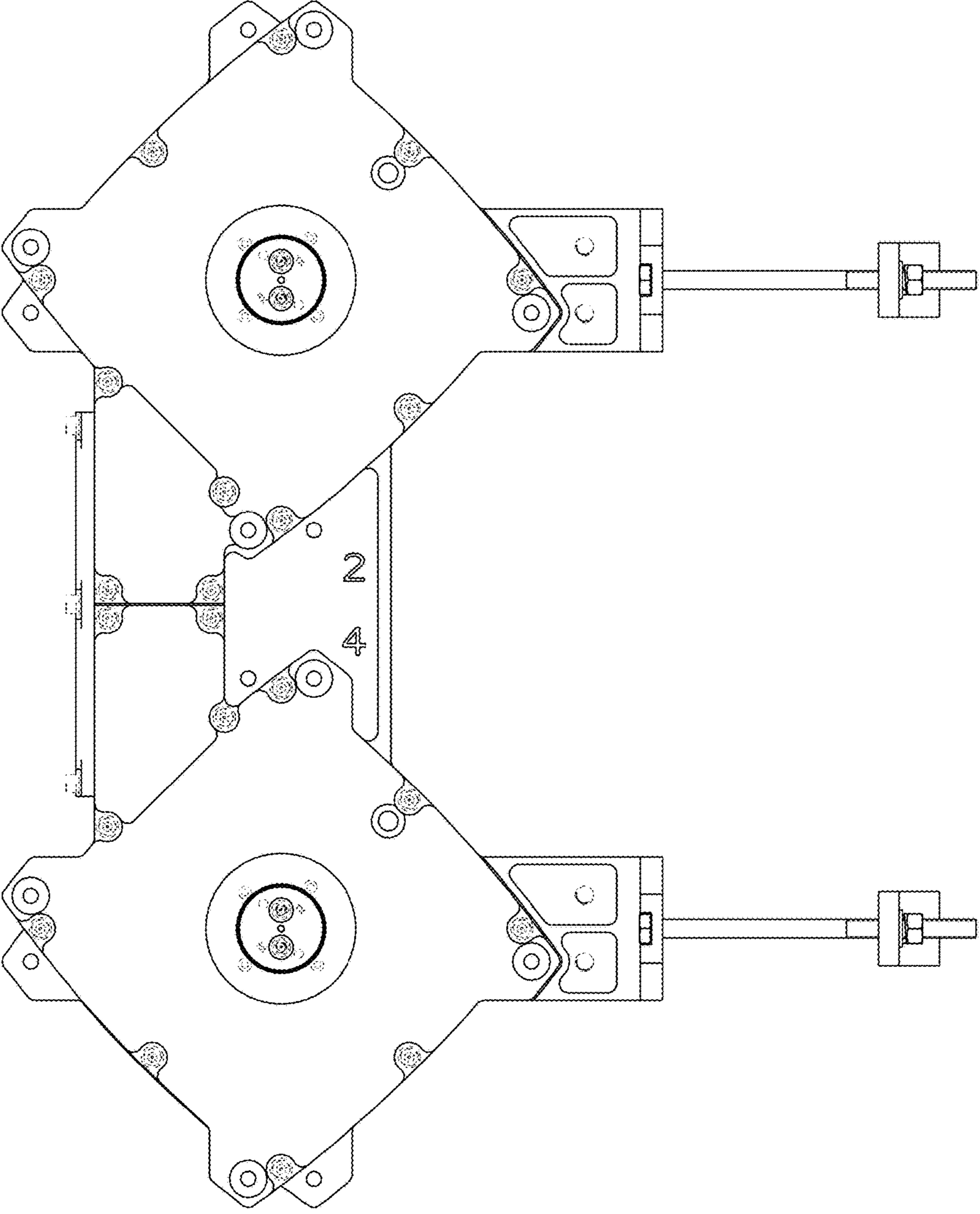


FIG. 6

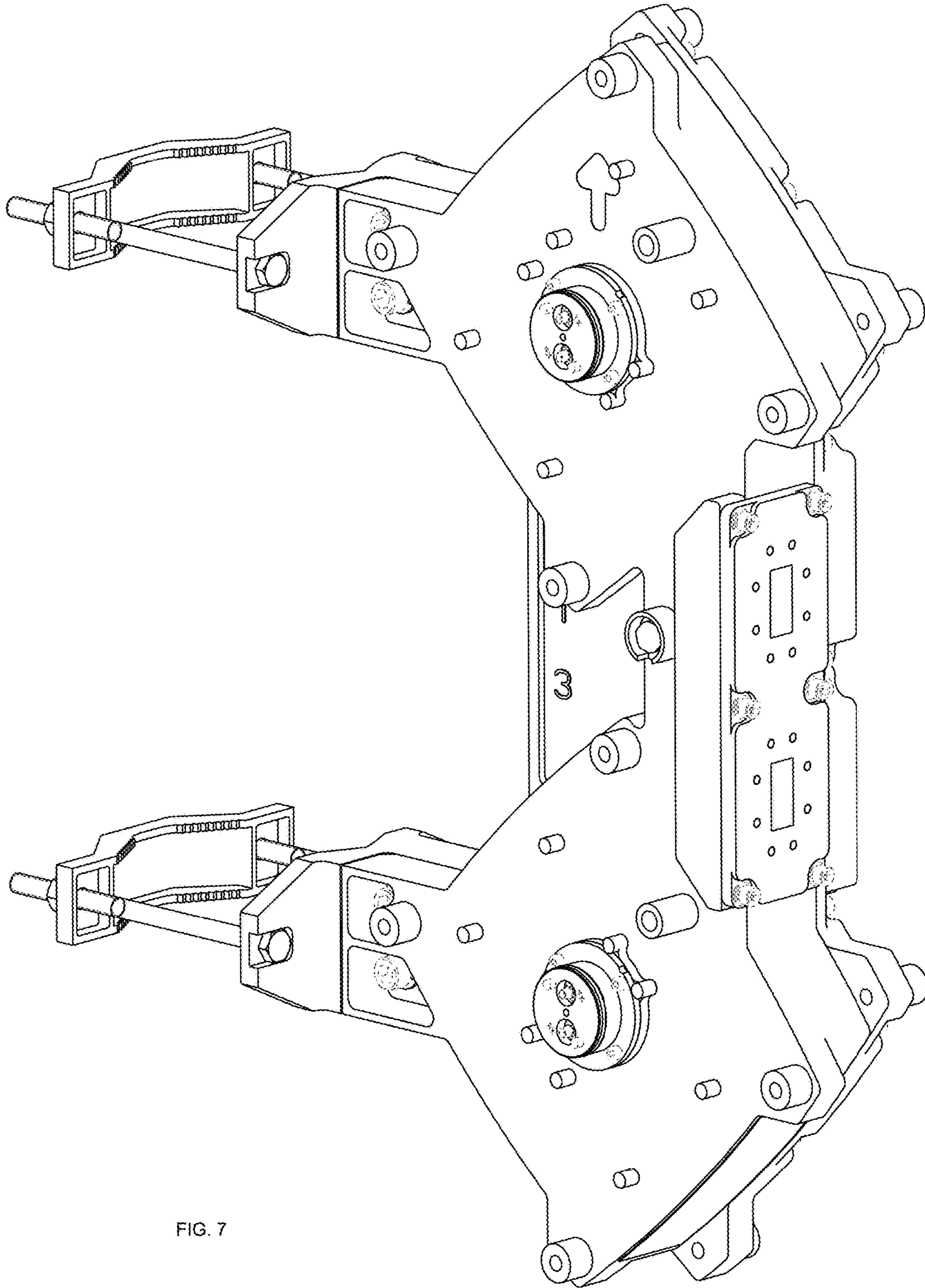


FIG. 7

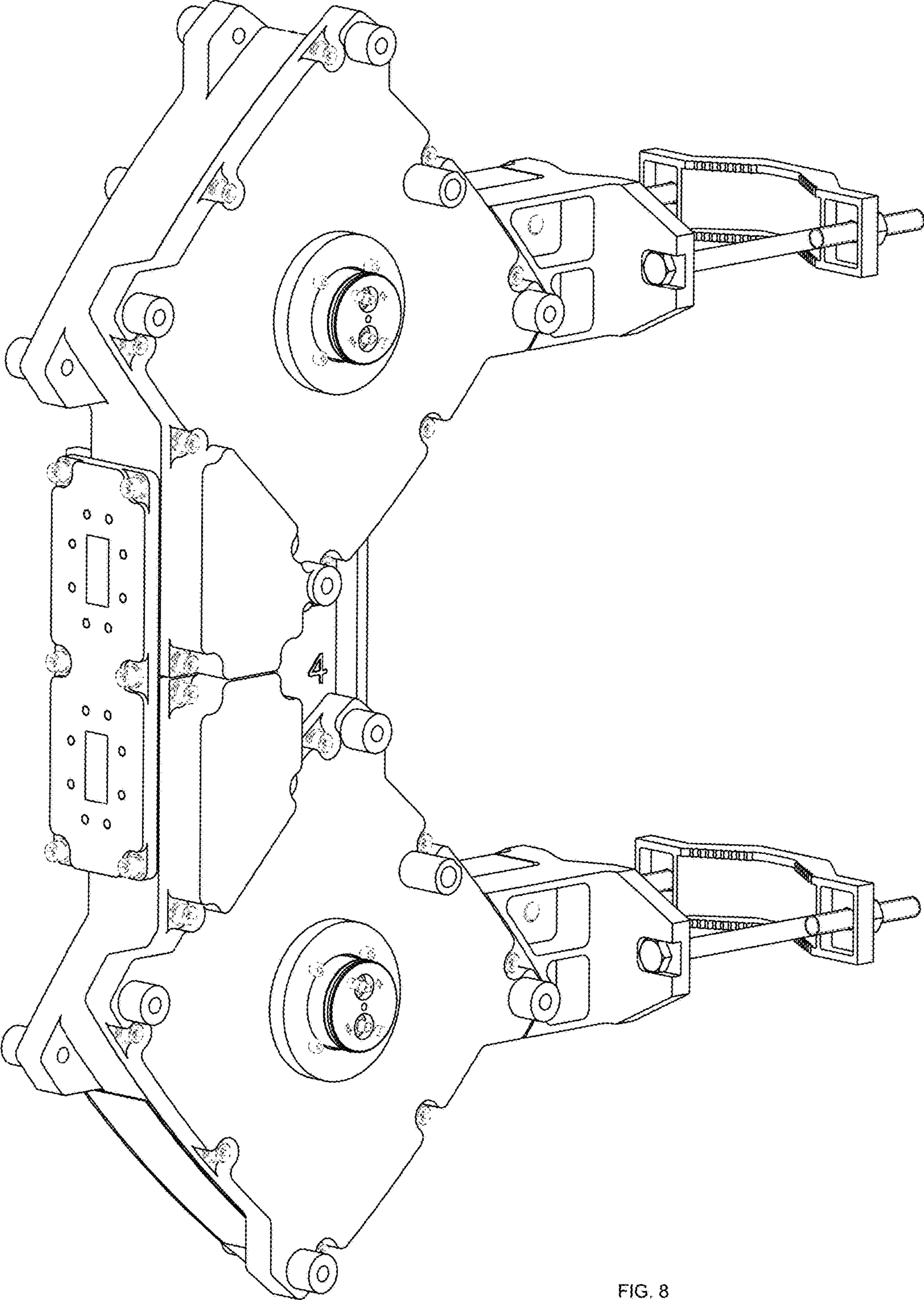


FIG. 8