

US00D796489S

(12) **United States Design Patent** (10) **Patent No.:** **US D796,489 S**
Arimoto (45) **Date of Patent:** **** Sep. 5, 2017**

(54) **EARPHONE**
(71) Applicant: **JVC KENWOOD Corporation**,
Yokohama-shi, Kanagawa (JP)
(72) Inventor: **Takuya Arimoto**, Yokohama (JP)
(73) Assignee: **JVC KENWOOD CORPORATION**,
Yokohama-Shi, Kanagawa (JP)
(**) Term: **15 Years**
(21) Appl. No.: **29/568,706**
(22) Filed: **Jun. 21, 2016**

(30) **Foreign Application Priority Data**

Feb. 9, 2016 (JP) 2016-002732

(51) **LOC (10) Cl.** **14-01**

(52) **U.S. Cl.**
USPC **D14/223**

(58) **Field of Classification Search**
USPC D14/223, 205, 188, 192; 181/129, 130,
181/135; 379/430, 431; 381/380, 381;
455/90.3, 575.1, 41.3
CPC H04R 1/10; H04R 25/00; H04R 1/1091;
H04R 1/1016; H04R 1/1066
See application file for complete search history.

(56) **References Cited**

U.S. PATENT DOCUMENTS

4,720,857 A * 1/1988 Burris H04M 1/05
379/430
5,420,935 A * 5/1995 Shinohara H04R 1/1016
379/431
D402,659 S * 12/1998 Suzuki D14/192
D419,556 S * 1/2000 Haney D14/192
6,084,976 A * 7/2000 Lin H04R 1/1016
181/129
D439,574 S * 3/2001 Katayama D14/192

D474,171 S * 5/2003 Suzuki D14/206
6,574,345 B1 * 6/2003 Huang H04R 1/1016
379/430
D485,548 S * 1/2004 Obata D14/223
D499,397 S * 12/2004 Hlas D14/223
D514,551 S * 2/2006 Lee D14/205
D515,070 S * 2/2006 Andre D14/205
D516,058 S * 2/2006 Garcia D14/205
D519,107 S * 4/2006 Yang D14/223
D531,169 S * 10/2006 Tokioka D14/223
D542,782 S * 5/2007 Pena Angarita D14/223
D554,627 S * 11/2007 Gondo D14/223
D557,689 S * 12/2007 Huang D14/223
D564,495 S * 3/2008 Sasaki D14/205
D572,703 S * 7/2008 Ledbetter D14/205
D573,978 S * 7/2008 Ledbetter D14/205

(Continued)

Primary Examiner — Paula Allen Greene
(74) *Attorney, Agent, or Firm* — Nath, Goldberg &
Meyer; Jerald L. Meyer

(57) **CLAIM**

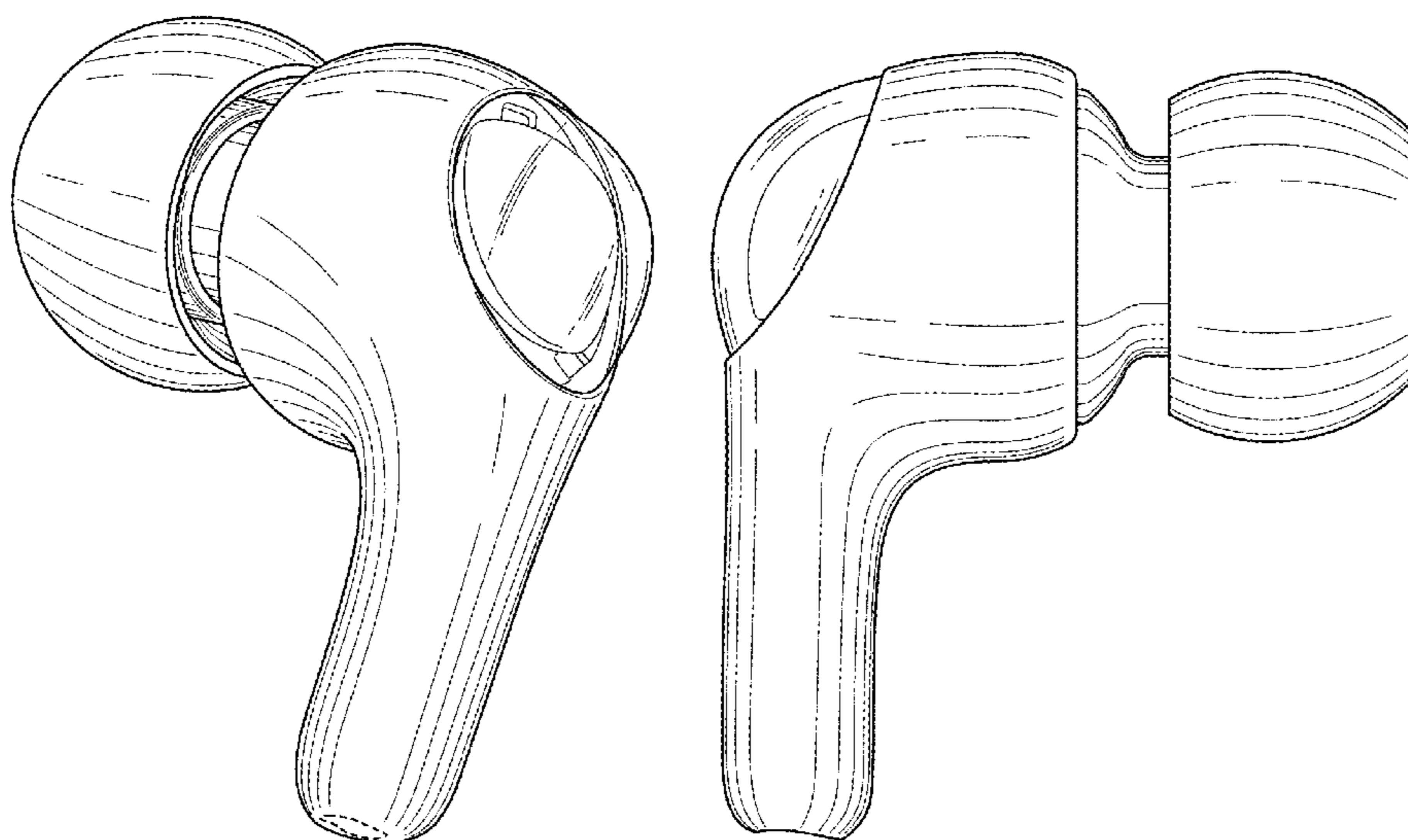
The ornamental design for an earphone, as shown and described.

DESCRIPTION

FIG. 1 is a front, top and left side perspective view of an earphone showing my new design; FIG. 2 is a front elevational view thereof; FIG. 3 is a rear elevational view thereof; FIG. 4 is a top plan view thereof; FIG. 5 is a bottom plan view thereof; FIG. 6 is a right side elevational view thereof; and, FIG. 7 is a left side elevational view thereof.

The portions of the drawings shown in broken lines are for illustrative purposes only and the broken lines form no part of the claimed design. The oblique shade lines on the upper cover of my design shown in FIGS. 1, 2, 4, 6, and 7 are intended to illustrate that the upper cover is visually transparent or translucent.

1 Claim, 4 Drawing Sheets



(56)

References Cited

U.S. PATENT DOCUMENTS

D579,005 S * 10/2008 Wilhelmsen D14/223
 D591,721 S * 5/2009 Densho D14/205
 D598,894 S * 8/2009 Masuda D14/205
 D599,330 S * 9/2009 Andre D14/223
 D602,905 S * 10/2009 Morisawa D14/205
 D621,389 S * 8/2010 Nagayama D14/223
 D623,630 S * 9/2010 Ohori D14/223
 D637,585 S * 5/2011 Nagayama D14/223
 D641,008 S * 7/2011 Lee D14/223
 D641,738 S * 7/2011 Perez D14/223
 7,979,035 B2 * 7/2011 Griffin H04B 1/3877
 455/569.1
 D648,708 S * 11/2011 Katsuraku D14/223
 8,077,898 B2 * 12/2011 Huang H04R 1/1016
 381/186
 D653,235 S * 1/2012 McManigal D14/205
 D656,481 S * 3/2012 McManigal D14/205
 D657,779 S * 4/2012 Gondo D14/223
 D662,495 S * 6/2012 Andre D14/223
 D663,291 S * 7/2012 Gondo D14/223
 8,265,323 B2 * 9/2012 Stiehl B29C 45/0025
 381/371
 D669,453 S * 10/2012 Katsuraku D14/223
 D670,274 S * 11/2012 Katsumata D14/223
 D678,284 S * 3/2013 Coulter D14/412
 D686,597 S * 7/2013 Lee D14/223

D701,195 S * 3/2014 Katsumata D14/223
 D702,668 S * 4/2014 Narita H04R 1/10
 D14/223
 D702,669 S * 4/2014 Gondo H04R 1/10
 D14/223
 8,831,266 B1 * 9/2014 Huang H04R 1/1091
 381/370
 D718,286 S * 11/2014 Yang D14/223
 D719,548 S * 12/2014 Thompson D14/223
 D719,961 S * 12/2014 Xiang D14/447
 D726,165 S * 4/2015 Kawaji D14/223
 D729,775 S * 5/2015 Seo D14/205
 D733,101 S * 6/2015 Pi D14/223
 D741,287 S * 10/2015 Harata D14/205
 D745,859 S * 12/2015 Kiuchi D14/205
 D746,792 S * 1/2016 Kim D14/205
 D761,233 S * 7/2016 Kawaji D14/223
 D778,267 S * 2/2017 Hsieh D14/223
 D784,298 S * 4/2017 Ozawa D14/223
 D784,962 S * 4/2017 Yang D14/223
 D787,480 S * 5/2017 Morris D14/223
 2009/0136074 A1 * 5/2009 Chang H04R 1/06
 381/380
 2009/0233652 A1 * 9/2009 Yang H04R 31/006
 455/569.1
 2013/0259287 A1 * 10/2013 Tseng H04R 1/1016
 381/380

* cited by examiner

FIG. 1

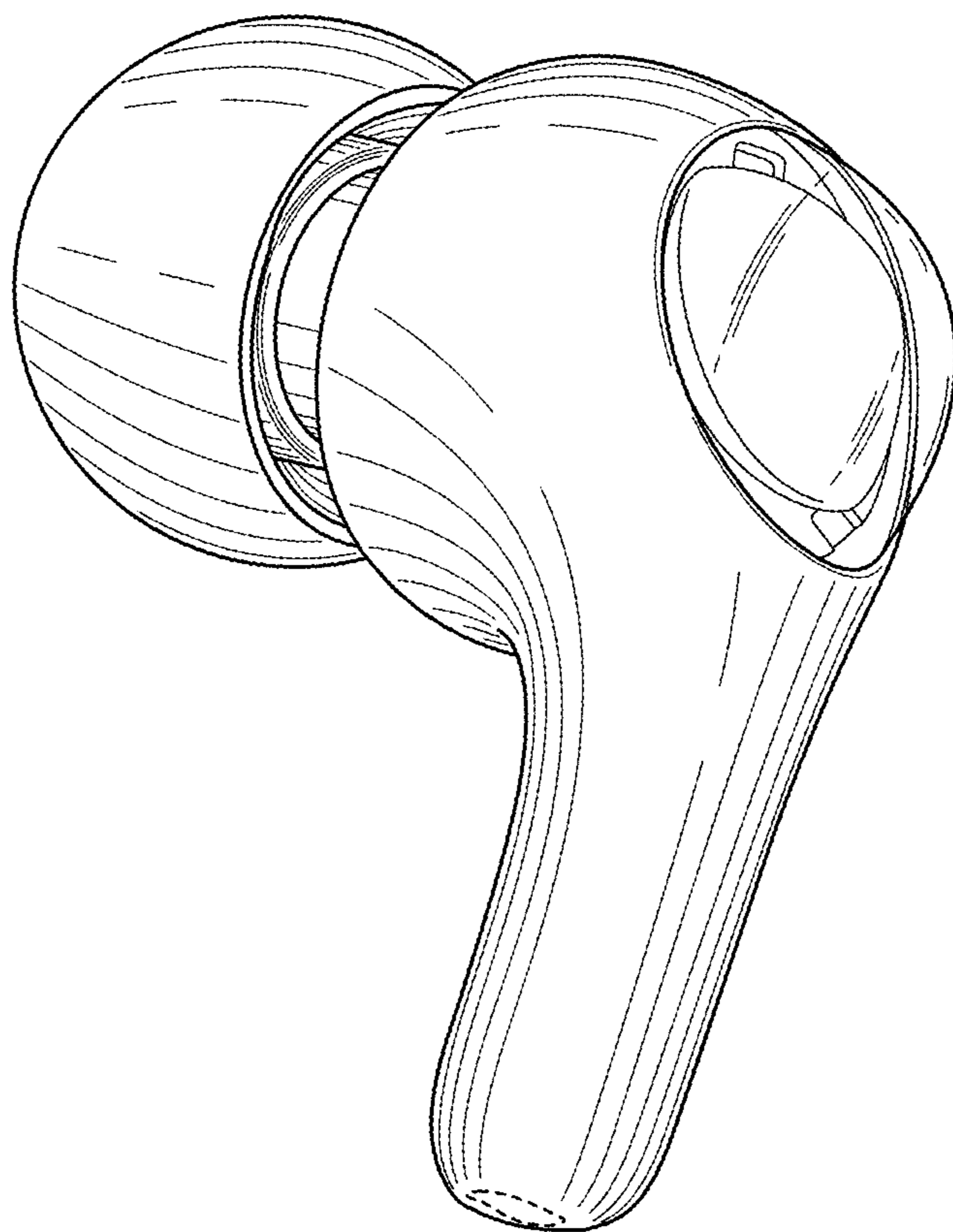


FIG. 2

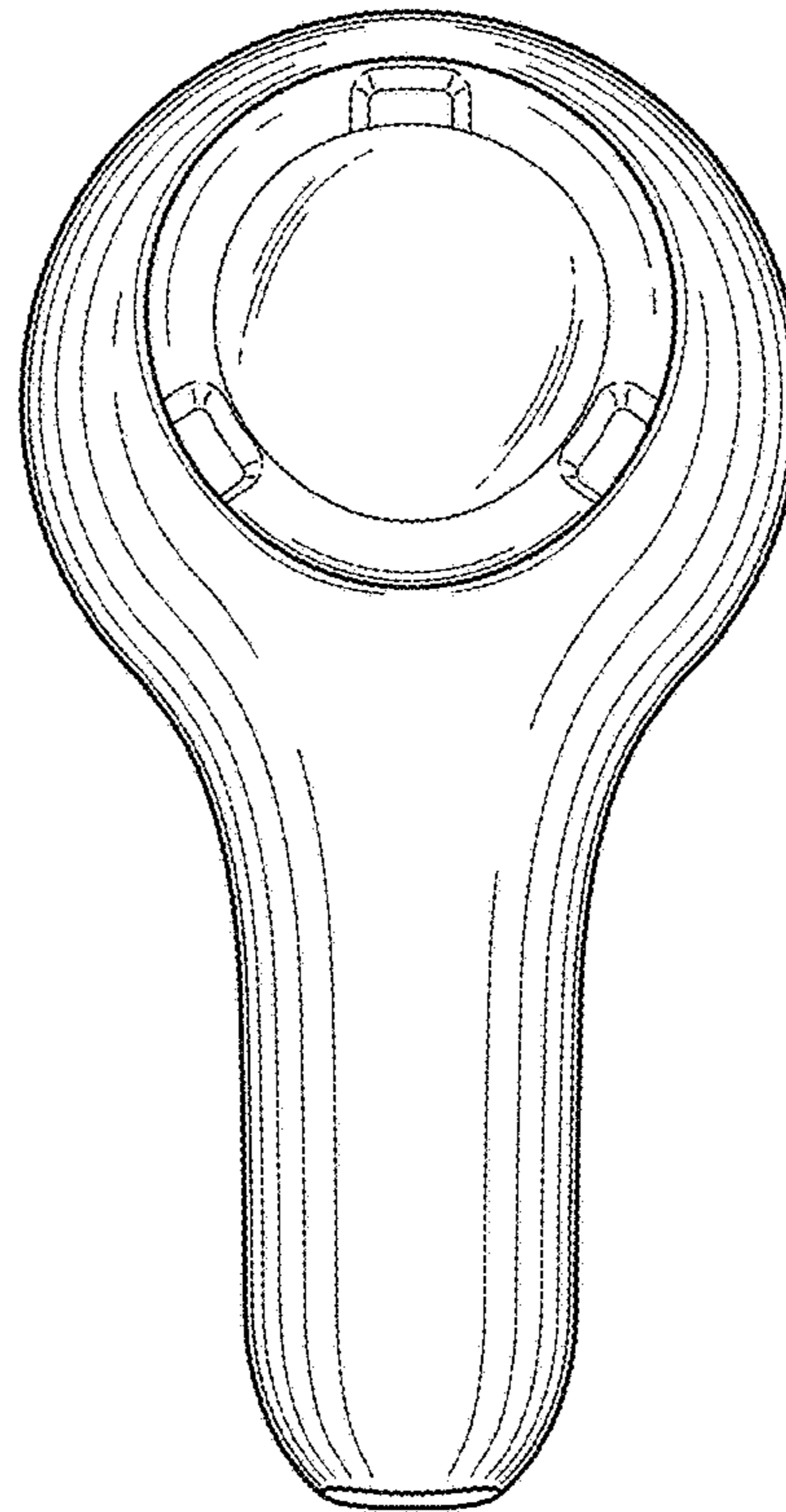


FIG. 3

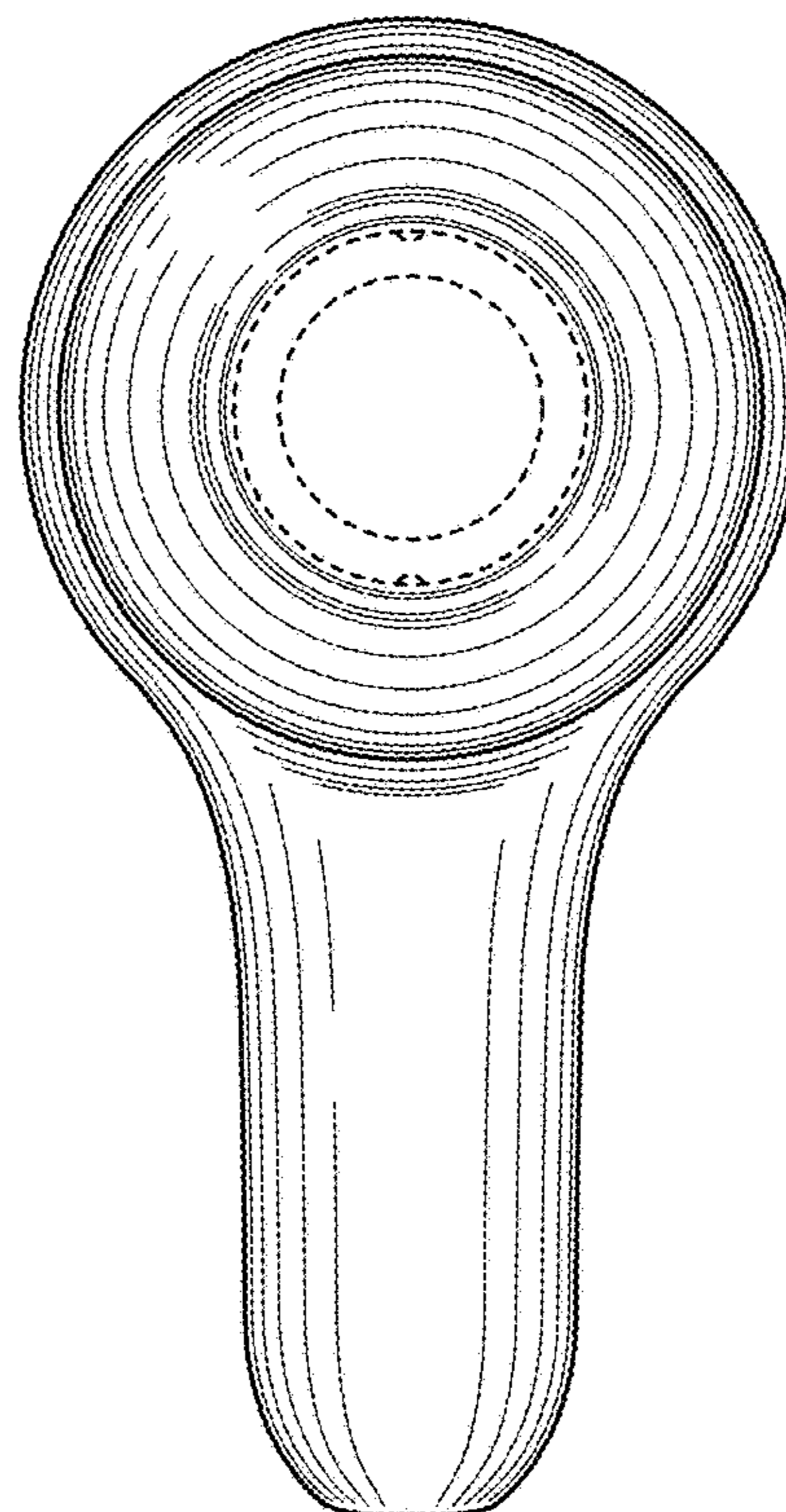


FIG. 4

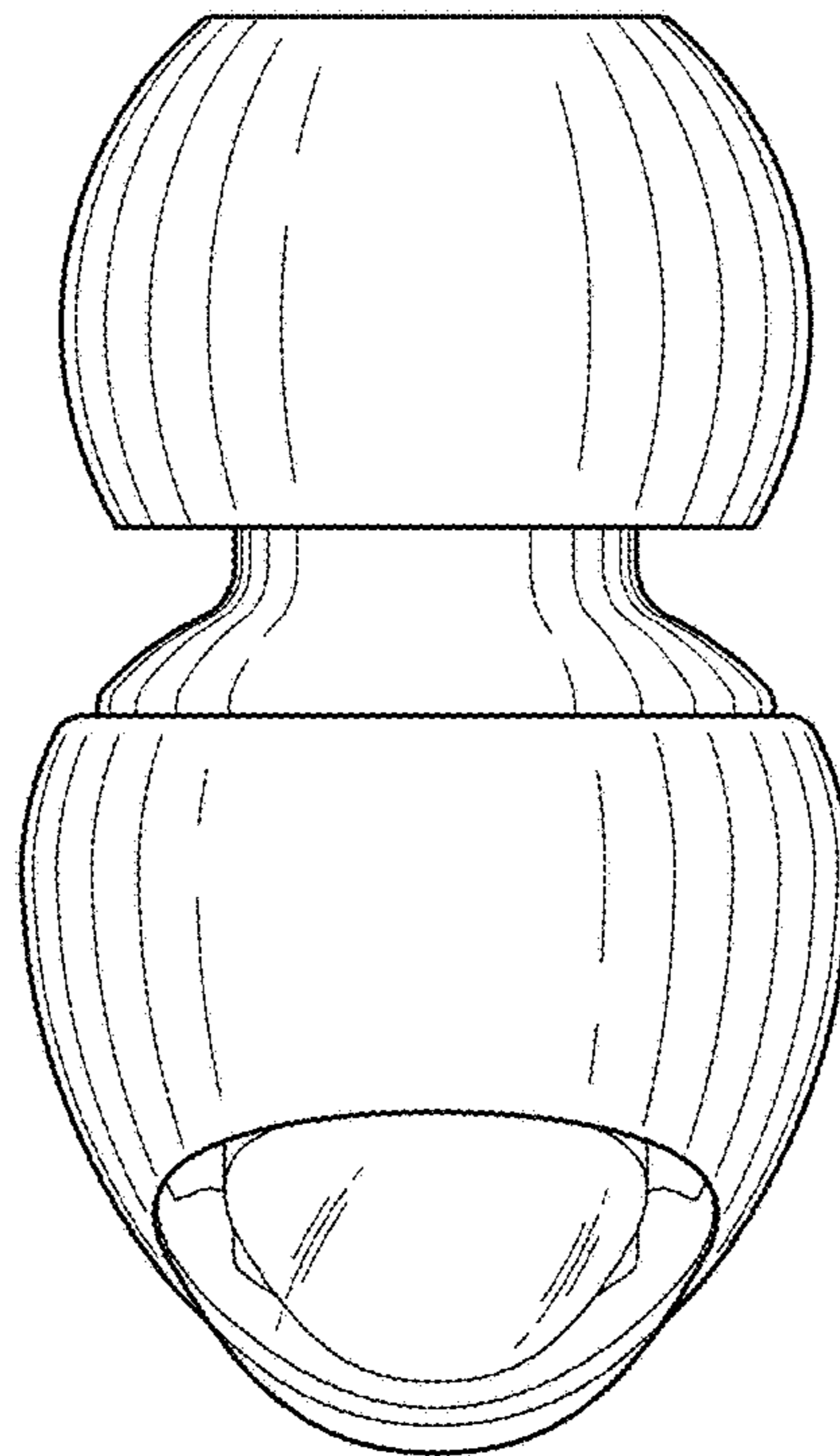


FIG. 5

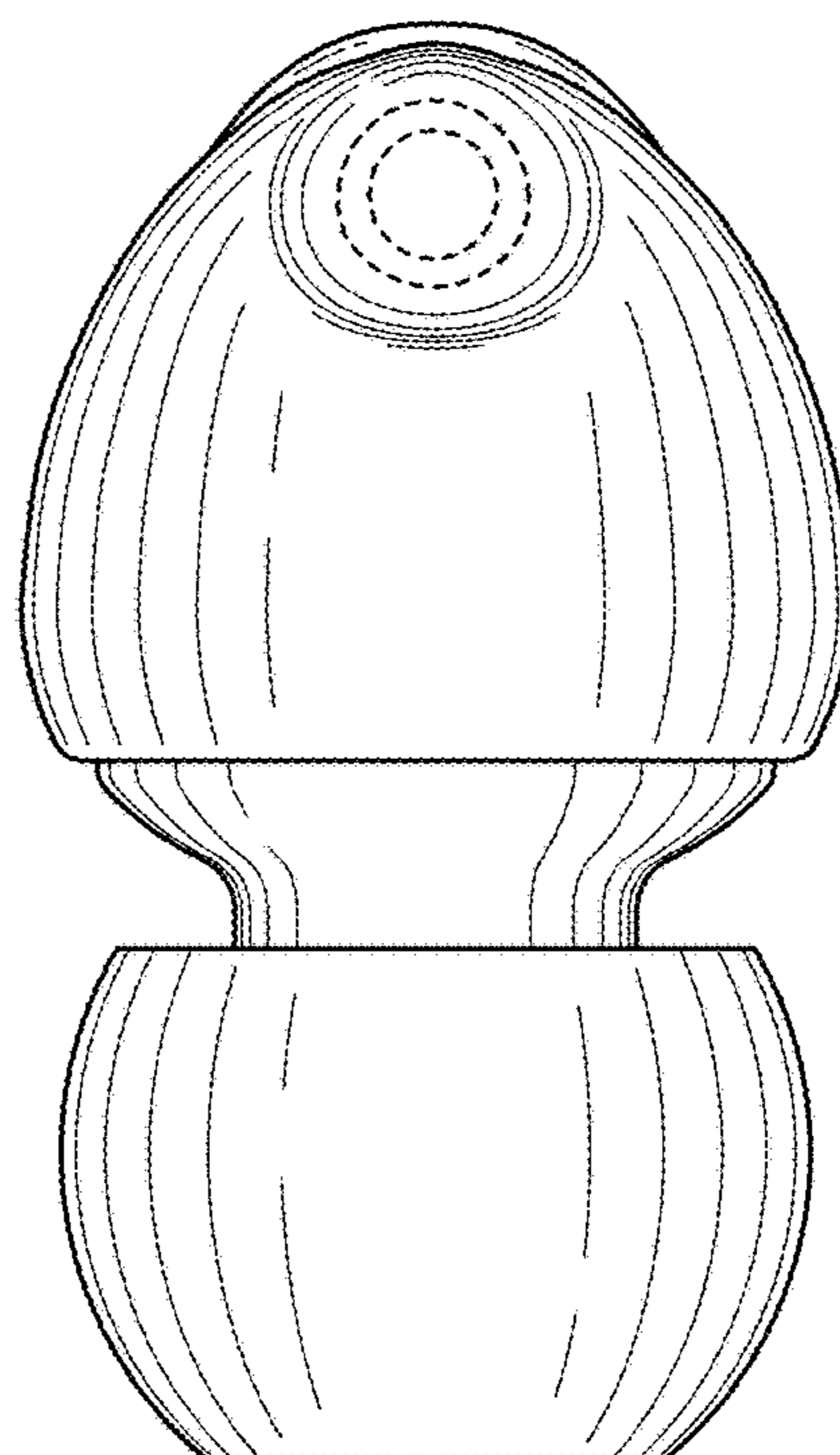


FIG. 6

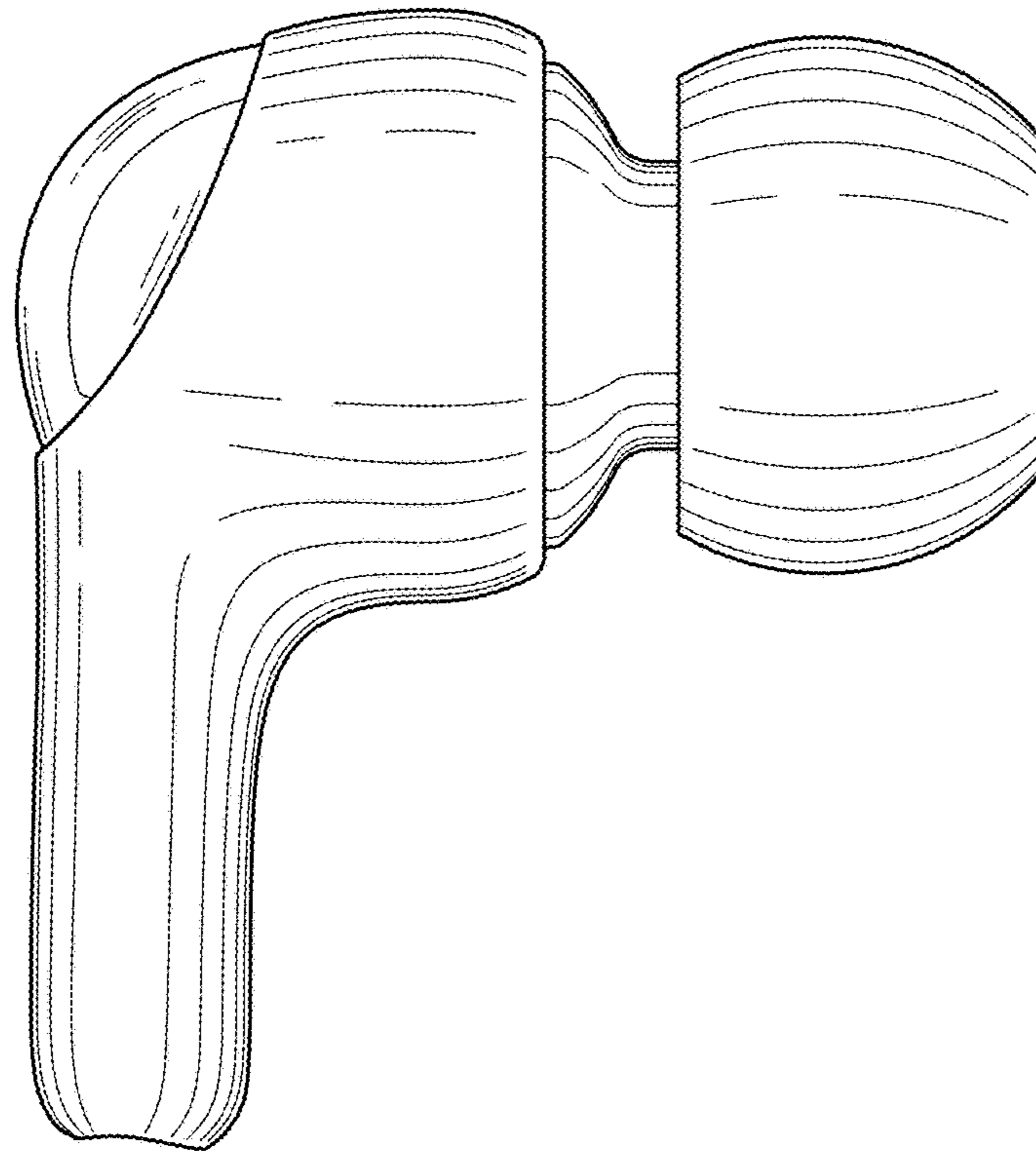


FIG. 7

