



US00D796488S

(12) **United States Design Patent**
Yoshimura

(10) **Patent No.:** **US D796,488 S**

(45) **Date of Patent:** **** Sep. 5, 2017**

- (54) **EARPHONE**
- (71) Applicant: **JVC KENWOOD CORPORATION**,
Yokohama-shi, Kanagawa (JP)
- (72) Inventor: **Satoshi Yoshimura**, Yokohama (JP)
- (73) Assignee: **JVC KENWOOD CORPORATION**,
Yokohama-Shi, Kanagawa (JP)
- (**) Term: **15 Years**
- (21) Appl. No.: **29/568,705**
- (22) Filed: **Jun. 21, 2016**
- (30) **Foreign Application Priority Data**
Feb. 9, 2016 (JP) 2016-002731
- (51) **LOC (10) Cl.** **14-01**
- (52) **U.S. Cl.**
USPC **D14/223**
- (58) **Field of Classification Search**
USPC D14/223, 188, 192, 205; 181/129, 130,
181/135; 379/430, 431; 381/380, 381;
455/90.3, 575.1, 41.3
CPC H04R 1/10; H04R 1/1091; H04R 1/1016;
H04R 1/1066; H04R 25/00
See application file for complete search history.

- (56) **References Cited**
U.S. PATENT DOCUMENTS
4,720,857 A * 1/1988 Burris H04M 1/05
379/430
D331,061 S * 11/1992 Hyohgo D14/223
D353,379 S * 12/1994 Nakamura D14/223
5,420,935 A * 5/1995 Shinohara H04R 1/1016
379/431
D402,659 S * 12/1998 Suzuki D14/192
D419,556 S * 1/2000 Haney D14/192

- 6,084,976 A * 7/2000 Lin H04R 1/1016
181/129
- D431,553 S * 10/2000 Suzuki D14/223
- D439,574 S * 3/2001 Katayama D14/192
- D474,171 S * 5/2003 Suzuki D14/206
- 6,574,345 B1 * 6/2003 Huang H04R 1/1016
379/430
- D485,548 S * 1/2004 Obata D14/223
- D487,077 S * 2/2004 Obata D14/223
- D514,551 S * 2/2006 Lee D14/205
- D515,070 S * 2/2006 Andre D14/205
- D529,901 S * 10/2006 Ohta D14/223
- D531,169 S * 10/2006 Tokioka D14/223
- D542,782 S * 5/2007 Pena Angarita D14/223
- D554,627 S * 11/2007 Gondo D14/223
- D557,689 S * 12/2007 Huang D14/223
- D564,495 S * 3/2008 Sasaki D14/205
- D572,703 S * 7/2008 Ledbetter D14/205
- D579,005 S * 10/2008 Wilhelmsen D14/223
- D591,721 S * 5/2009 Densho D14/205

(Continued)

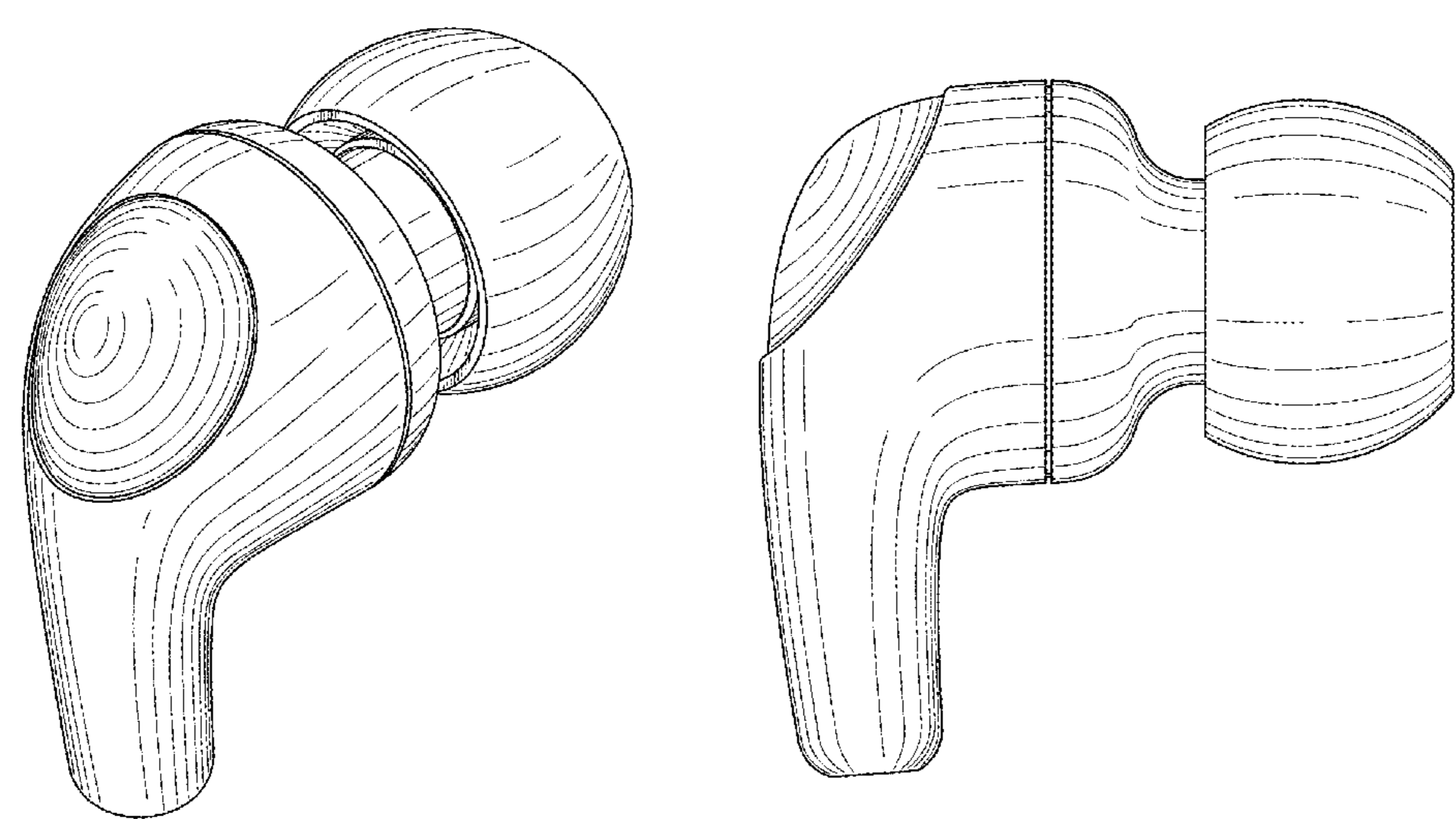
Primary Examiner — Paula Greene
(74) *Attorney, Agent, or Firm* — Nath, Goldberg & Meyer; Jerald L. Meyer

(57) **CLAIM**
The ornamental design for an earphone, as shown and described.

DESCRIPTION

FIG. 1 is a front, top and right side perspective view of an earphone showing my new design;
FIG. 2 is a front elevational view thereof;
FIG. 3 is a rear elevational view thereof;
FIG. 4 is a top plan view thereof;
FIG. 5 is a bottom plan view thereof;
FIG. 6 is a right side elevational view thereof; and,
FIG. 7 is a left side elevational view thereof.
The portions of the drawings shown in broken lines are for illustrative purposes only and the broken lines form no part of the claimed design.

1 Claim, 4 Drawing Sheets



(56)

References Cited

U.S. PATENT DOCUMENTS

D598,894 S * 8/2009 Masuda D14/205
 D599,330 S * 9/2009 Andre D14/223
 D621,389 S * 8/2010 Nagayama D14/223
 D637,630 S * 9/2010 Ohori D14/223
 D637,585 S * 5/2011 Nagayama D14/223
 D641,008 S * 7/2011 Lee D14/223
 D641,738 S * 7/2011 Perez D14/223
 7,979,035 B2 * 7/2011 Griffin H04B 1/3877
 455/569.1
 D648,708 S * 11/2011 Katsuraku D14/223
 8,077,898 B2 * 12/2011 Huang H04R 1/1016
 381/186
 D653,235 S * 1/2012 McManigal D14/205
 D656,481 S * 3/2012 McManigal D14/205
 D656,492 S * 3/2012 Huang D14/205
 D662,495 S * 6/2012 Andre D14/223
 8,265,323 B2 * 9/2012 Stiehl B29C 45/0025
 381/371
 D670,274 S * 11/2012 Katsumata D14/223
 D686,597 S * 7/2013 Lee D14/223
 D701,195 S * 3/2014 Katsumata D14/223
 D702,668 S * 4/2014 Narita H04R 1/10
 D14/223

D702,669 S * 4/2014 Gondo H04R 1/10
 D14/223
 D707,652 S * 6/2014 Brunner H04R 25/00
 D14/205
 D711,858 S * 8/2014 Yang D14/223
 8,831,266 B1 * 9/2014 Huang H04R 1/1091
 381/370
 D718,286 S * 11/2014 Yang D14/223
 D719,548 S * 12/2014 Thompson D14/223
 D726,165 S * 4/2015 Kawaji D14/223
 D729,775 S * 5/2015 Seo D14/205
 D738,864 S * 9/2015 Lee D14/223
 D741,287 S * 10/2015 Harata D14/205
 D746,792 S * 1/2016 Kim D14/205
 D762,616 S * 8/2016 Hsieh D14/205
 D773,435 S * 12/2016 Ott D14/205
 D784,298 S * 4/2017 Ozawa D14/223
 D784,962 S * 4/2017 Yang D14/223
 D787,480 S * 5/2017 Morris D14/223
 2009/0136074 A1 * 5/2009 Chang H04R 1/06
 381/380
 2009/0233652 A1 * 9/2009 Yang H04R 31/006
 455/569.1
 2012/0003937 A1 * 1/2012 Zhong H04M 1/6066
 455/41.3
 2013/0259287 A1 * 10/2013 Tseng H04R 1/1016
 381/380

* cited by examiner

FIG. 1

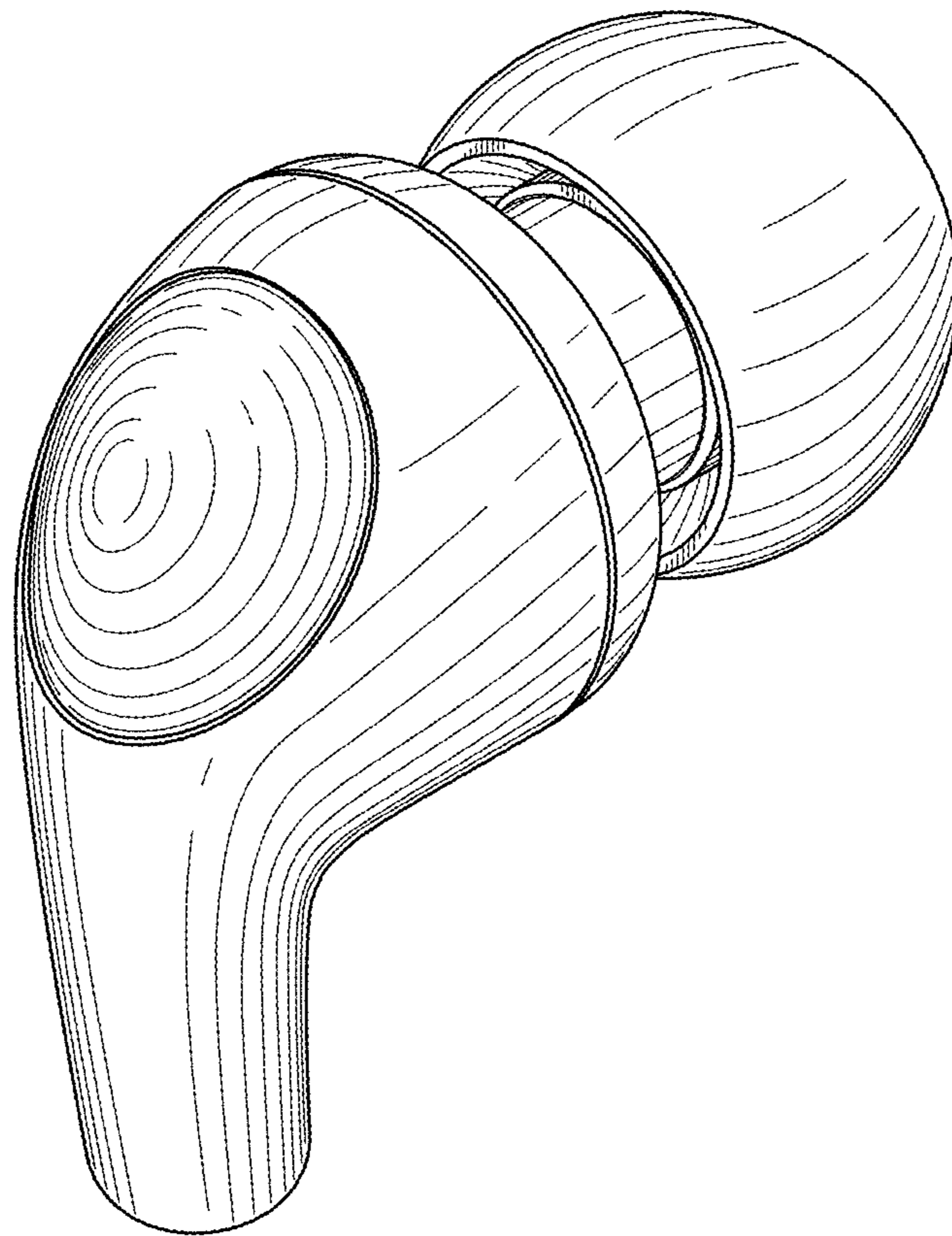


FIG. 2

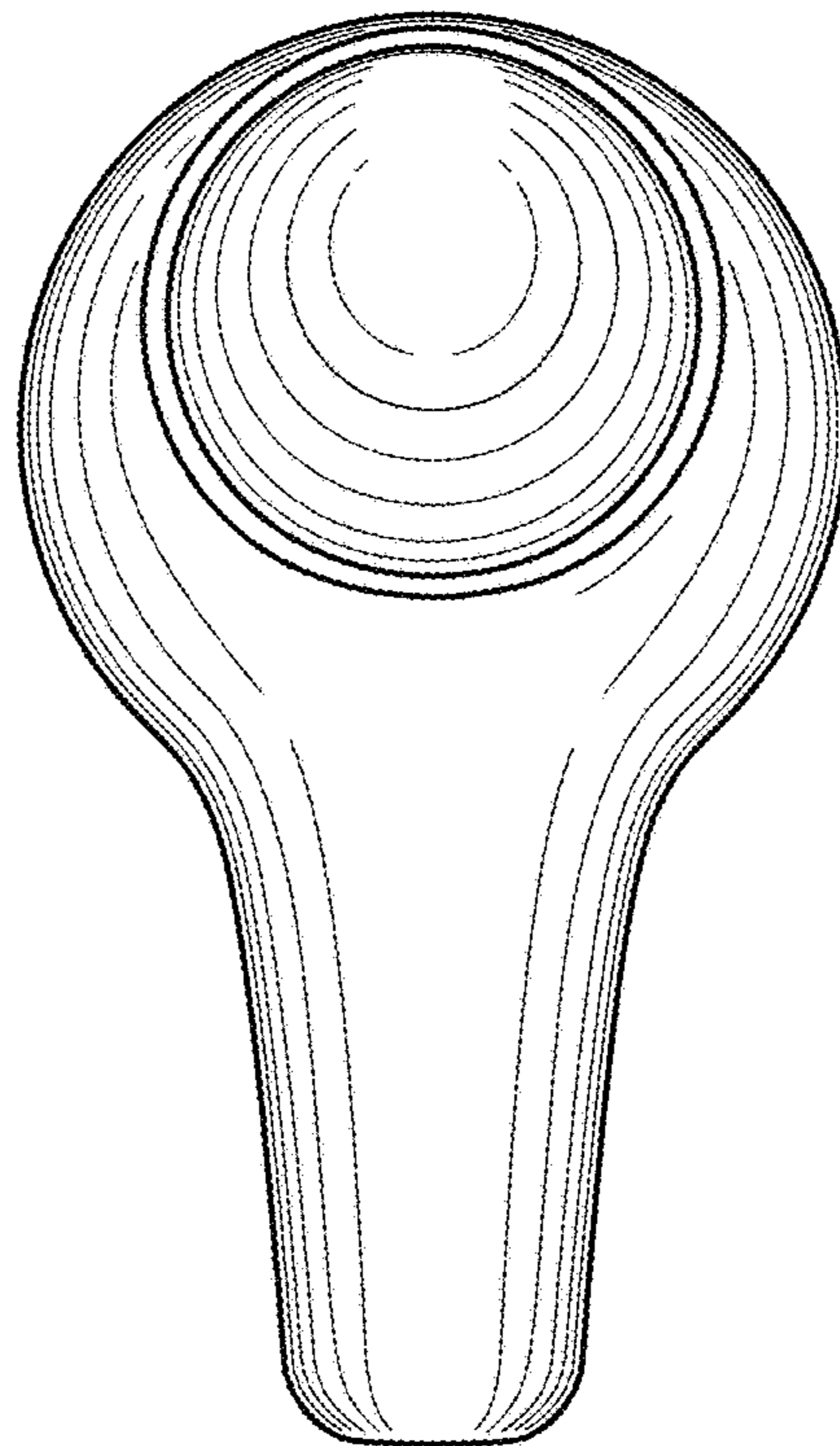


FIG. 3

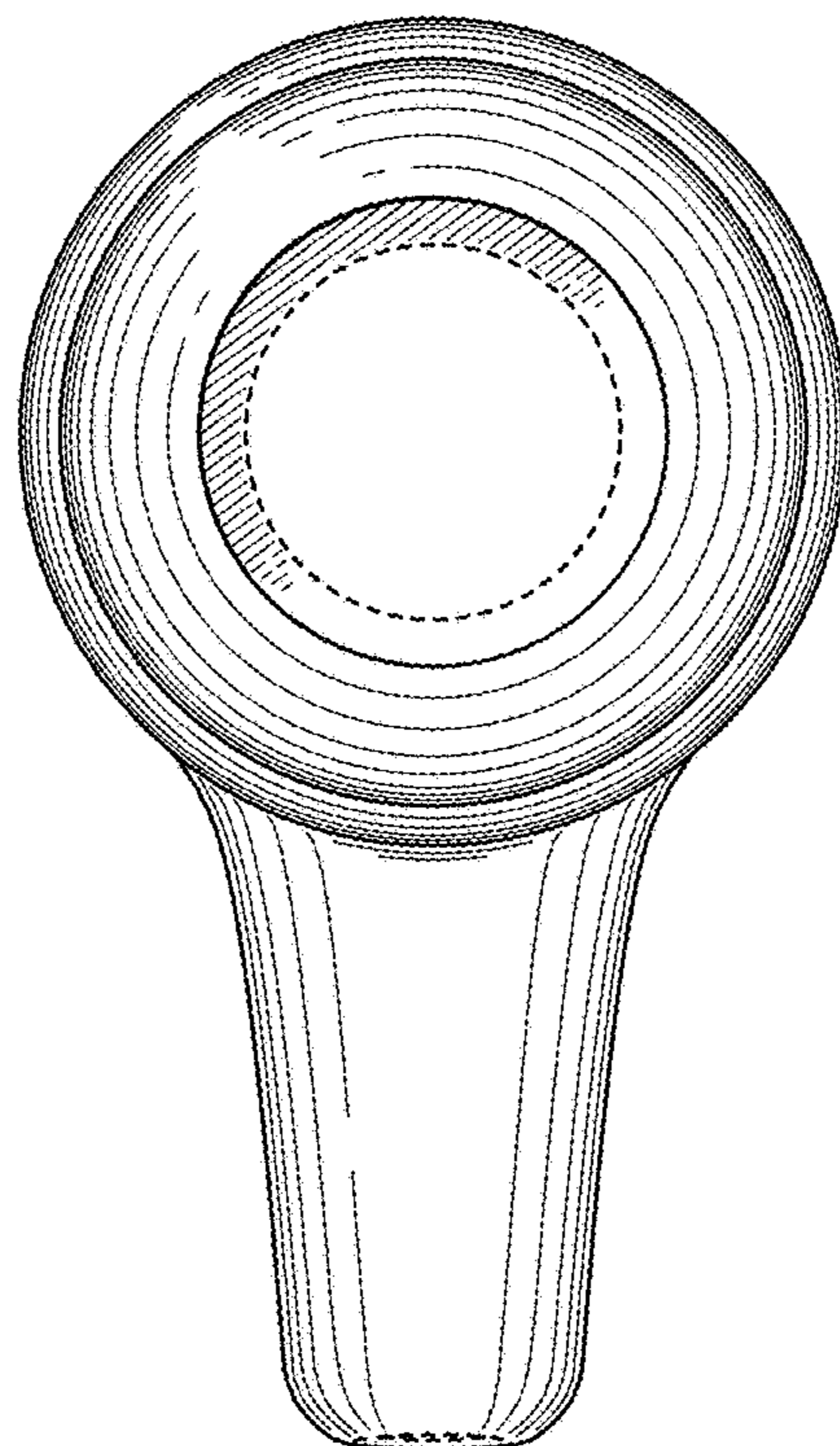


FIG. 4

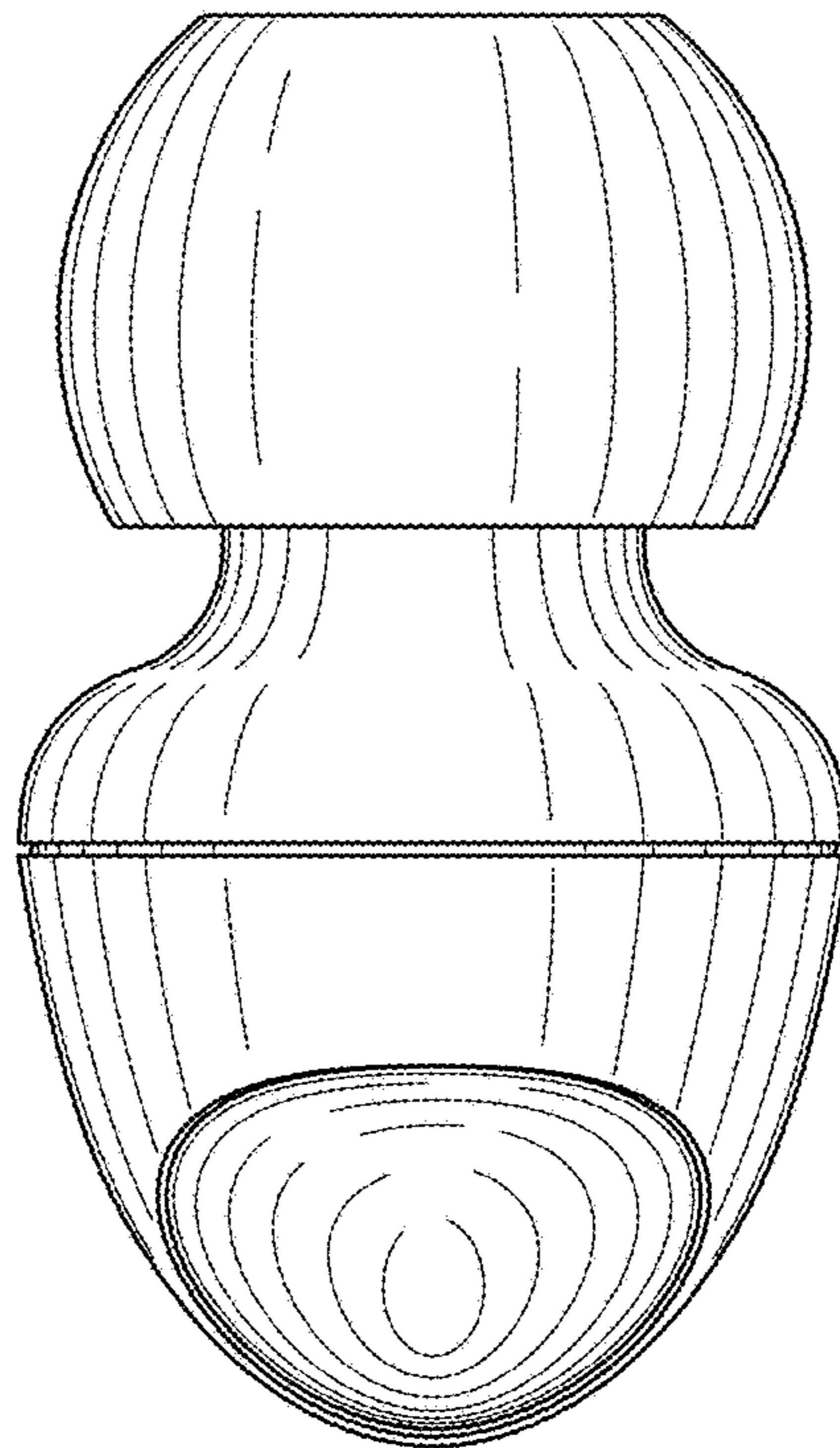


FIG. 5

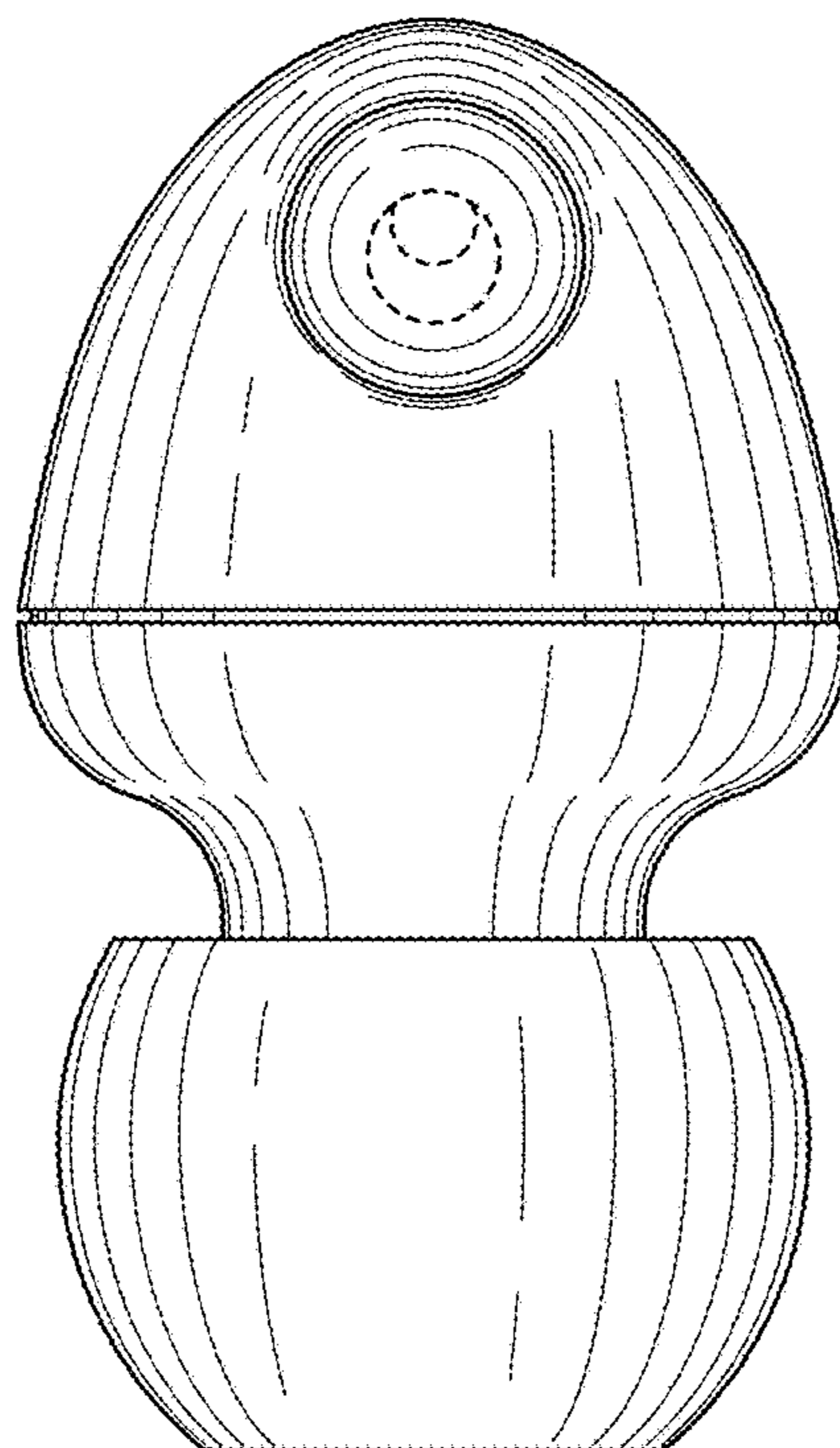


FIG. 6

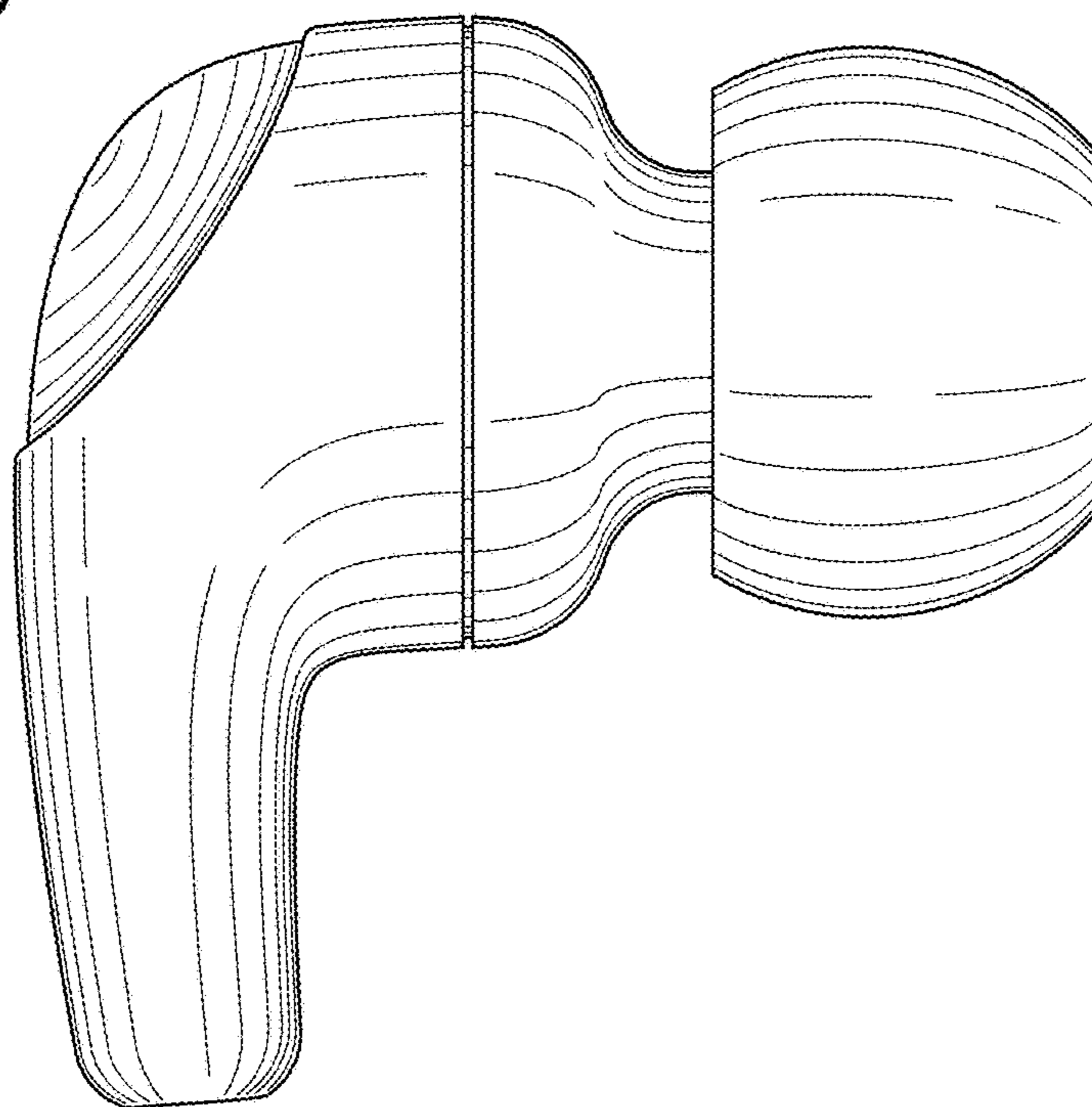


FIG. 7

