



US00D796486S

(12) **United States Design Patent**  
**Liu**

(10) **Patent No.:** **US D796,486 S**  
(45) **Date of Patent:** **\*\* Sep. 5, 2017**

- (54) **WIRELESS HEADSET**
- (71) Applicant: **Huiyang District Yonghu Town Xingcheng Electronic Processing Plant, Huizhou, Guangdong (CN)**
- (72) Inventor: **Xiangli Liu, Guangdong (CN)**
- (73) Assignee: **Huiyang District Yonghu Town Xingcheng Electronic Processing Plant (CN)**
- (\*\*) Term: **15 Years**
- (21) Appl. No.: **29/557,854**
- (22) Filed: **Mar. 13, 2016**
- (51) **LOC (10) Cl.** ..... **14-01**
- (52) **U.S. Cl.**  
USPC ..... **D14/223**
- (58) **Field of Classification Search**  
USPC ..... D14/223; D24/174; 181/129, 130, 135;  
379/430, 431; 381/380, 381, 392, 322,  
381/325, 328, 382, 390  
CPC ..... H04R 1/10; H04R 25/00; H04R 1/1091;  
H04R 25/02; H04R 1/02; H04R 1/1066;  
H04R 1/1016  
See application file for complete search history.

(56) **References Cited**  
U.S. PATENT DOCUMENTS

4,133,984	A *	1/1979	Akiyama	.....	H04R 25/456	181/135
D284,859	S *	7/1986	Okada	.....	D14/192	
4,602,642	A *	7/1986	O'Hara	.....	G01J 5/02	374/126
4,736,435	A *	4/1988	Yokoyama	.....	H04R 9/10	381/322
4,972,492	A *	11/1990	Tanaka	.....	H04R 1/1016	181/130

4,981,194	A *	1/1991	Kamon	.....	H04R 1/08	181/129
D321,881	S *	11/1991	Hopewell	.....	D14/192	
D369,349	S *	4/1996	Hayashi	.....	D14/223	
D427,994	S *	7/2000	Pirelli	.....	D14/223	
D431,553	S *	10/2000	Suzuki	.....	D14/223	
D463,791	S *	10/2002	Nagai	.....	D14/205	
D468,728	S *	1/2003	Rath	.....	D14/206	
6,574,345	B1 *	6/2003	Huang	.....	H04R 1/1016	379/430
D477,821	S *	7/2003	Bieltvedt	.....	D14/206	
D478,573	S *	8/2003	Wrisley	.....	D14/223	
D485,548	S *	1/2004	Obata	.....	D14/223	
D485,549	S *	1/2004	Ma	.....	D14/223	
D487,077	S *	2/2004	Obata	.....	D14/223	
D505,415	S *	5/2005	Han	.....	D14/223	
D511,768	S *	11/2005	Naito	.....	D14/205	
D516,058	S *	2/2006	Garcia	.....	D14/205	
D531,169	S *	10/2006	Tokioka	.....	D14/223	
7,120,267	B2 *	10/2006	Ito	.....	H04M 1/05	381/370
D532,520	S *	11/2006	Kampmeier	.....	D24/174	
D539,268	S *	3/2007	Suzuki	.....	D14/206	

(Continued)

Primary Examiner — Paula Greene

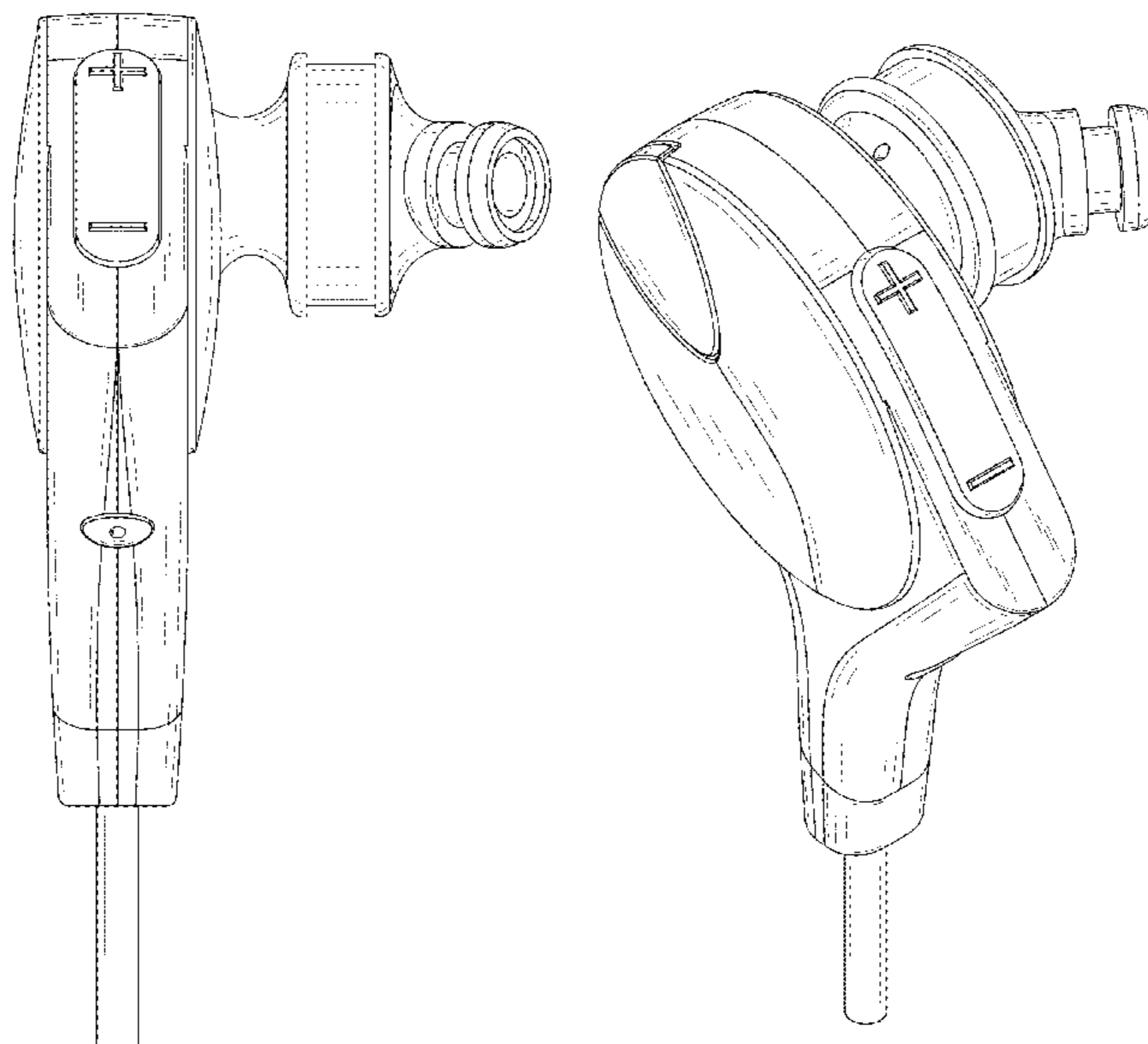
(57) **CLAIM**

The ornamental design for wireless headset, as shown and described.

**DESCRIPTION**

FIG. 1 is a left elevation view of the wireless headset showing my new design;  
 FIG. 2 is a right elevation view thereof;  
 FIG. 3 is a front elevation view thereof;  
 FIG. 4 is a back elevation view thereof;  
 FIG. 5 is a top view thereof;  
 FIG. 6 is a bottom view thereof;  
 FIG. 7 is a perspective view thereof; and,  
 FIG. 8 is another perspective view thereof.

**1 Claim, 7 Drawing Sheets**



(56)

References Cited

U.S. PATENT DOCUMENTS

7,212,644 B2 \* 5/2007 Gavrilu ..... H04R 1/00  
 381/338  
 D572,703 S \* 7/2008 Ledbetter ..... D14/205  
 D579,006 S \* 10/2008 Kim ..... D14/223  
 D579,567 S \* 10/2008 Pedersen ..... D24/174  
 D591,274 S \* 4/2009 Khubani ..... D14/223  
 D593,076 S \* 5/2009 Kung ..... D14/223  
 D597,084 S \* 7/2009 Gondo ..... D14/223  
 D603,380 S \* 11/2009 Hutchieson ..... D14/223  
 D604,272 S \* 11/2009 Kitayama ..... D14/223  
 D618,211 S \* 6/2010 Oguro ..... D14/205  
 D626,117 S \* 10/2010 Lowry ..... D14/223  
 D632,678 S \* 2/2011 Brown ..... D14/223  
 D637,182 S \* 5/2011 Lee ..... D14/223  
 8,103,040 B2 \* 1/2012 Pelland ..... H04R 1/1016  
 381/374  
 8,111,861 B2 \* 2/2012 Lowry ..... H04R 1/1016  
 181/135

D658,157 S \* 4/2012 McManigal ..... D14/205  
 8,265,323 B2 \* 9/2012 Stiehl ..... B29C 45/0025  
 381/371  
 D669,058 S \* 10/2012 Lee ..... D14/223  
 D686,597 S \* 7/2013 Lee ..... D14/223  
 D710,334 S \* 8/2014 Yang ..... D14/223  
 8,831,266 B1 \* 9/2014 Huang ..... H04R 1/1091  
 381/370  
 D718,286 S \* 11/2014 Yang ..... D14/223  
 D725,635 S \* 3/2015 Burgett ..... D14/223  
 D732,508 S \* 6/2015 Funayama ..... D14/223  
 D735,699 S \* 8/2015 Yasuda ..... D14/223  
 D740,255 S \* 10/2015 Samrelius ..... D14/206  
 D761,233 S \* 7/2016 Kawaji ..... D14/223  
 D762,616 S \* 8/2016 Hsieh ..... D14/205  
 D770,427 S \* 11/2016 Iwane ..... D14/223  
 D784,298 S \* 4/2017 Ozawa ..... D14/223  
 2011/0249856 A1 \* 10/2011 Takei ..... H04R 1/1016  
 381/380

\* cited by examiner

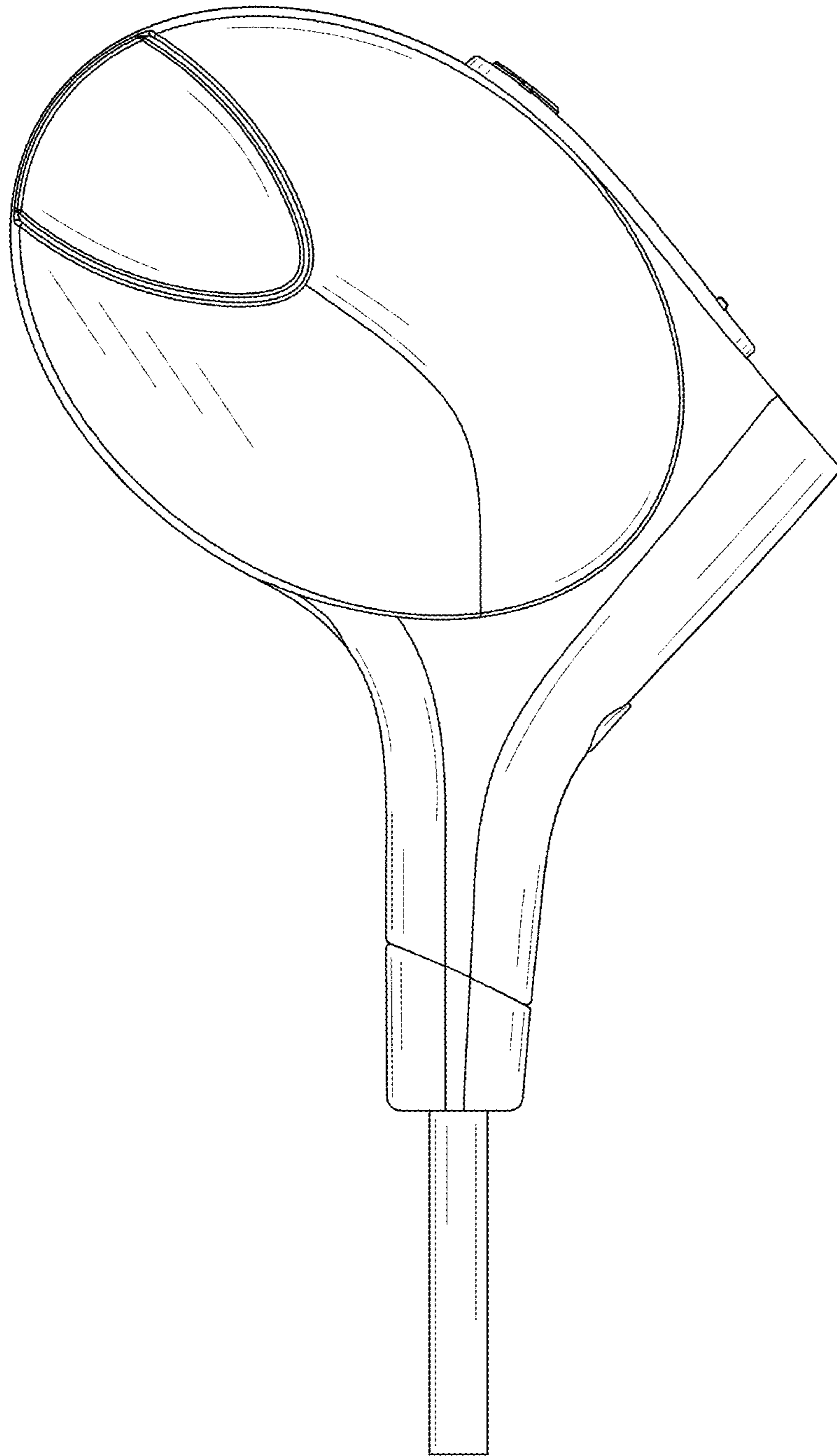


FIG.1

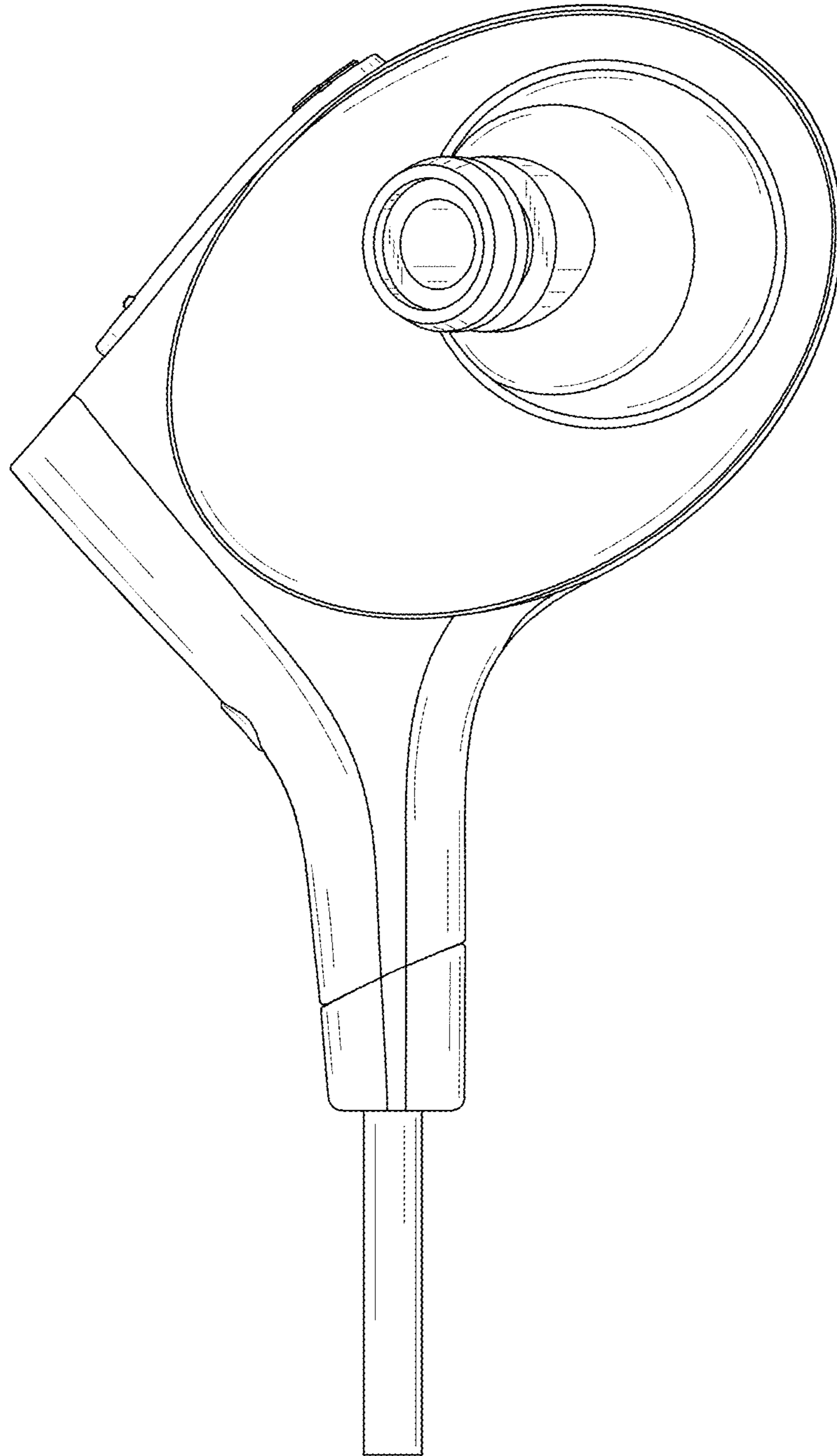


FIG.2

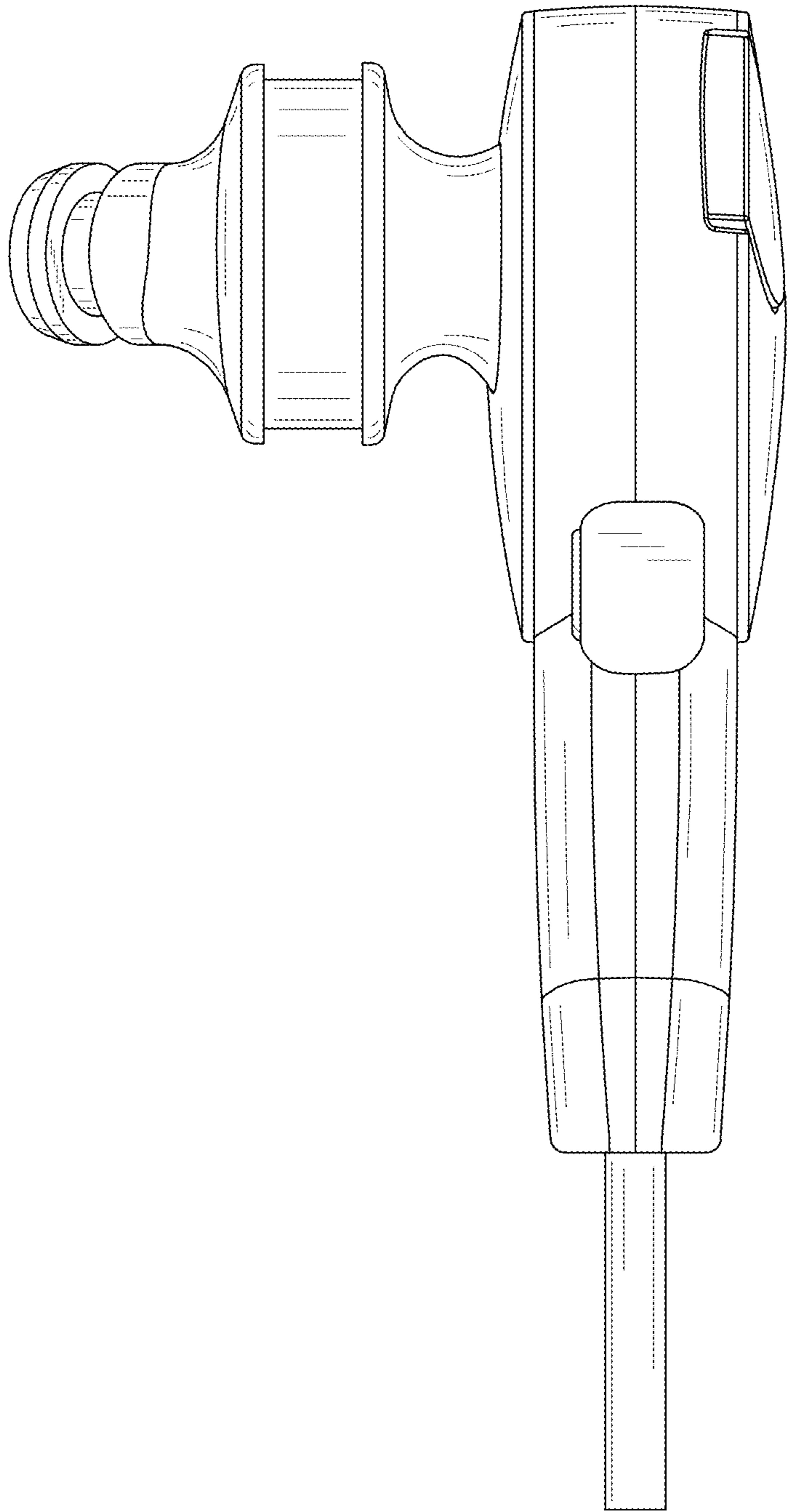


FIG.3

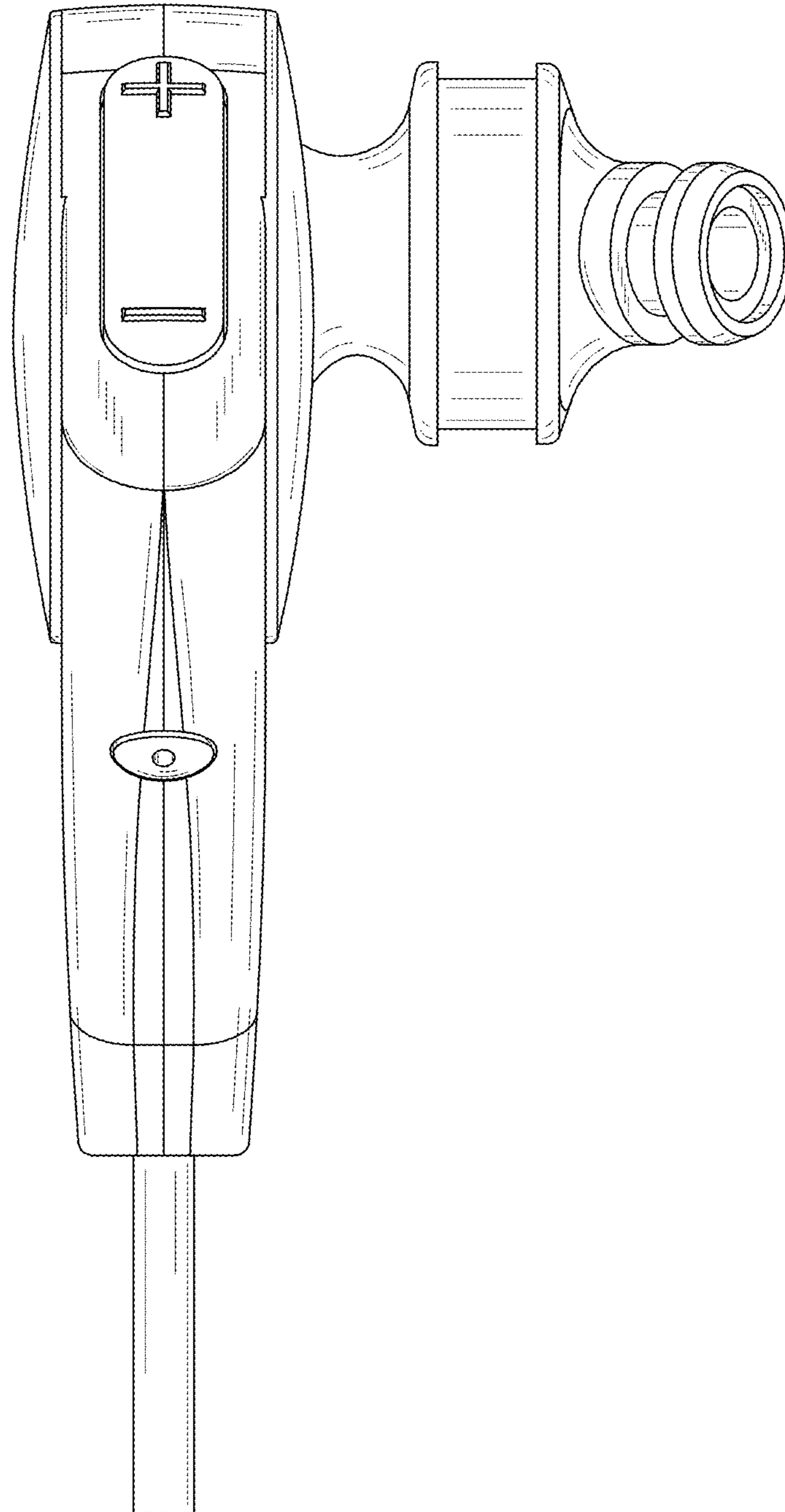


FIG.4

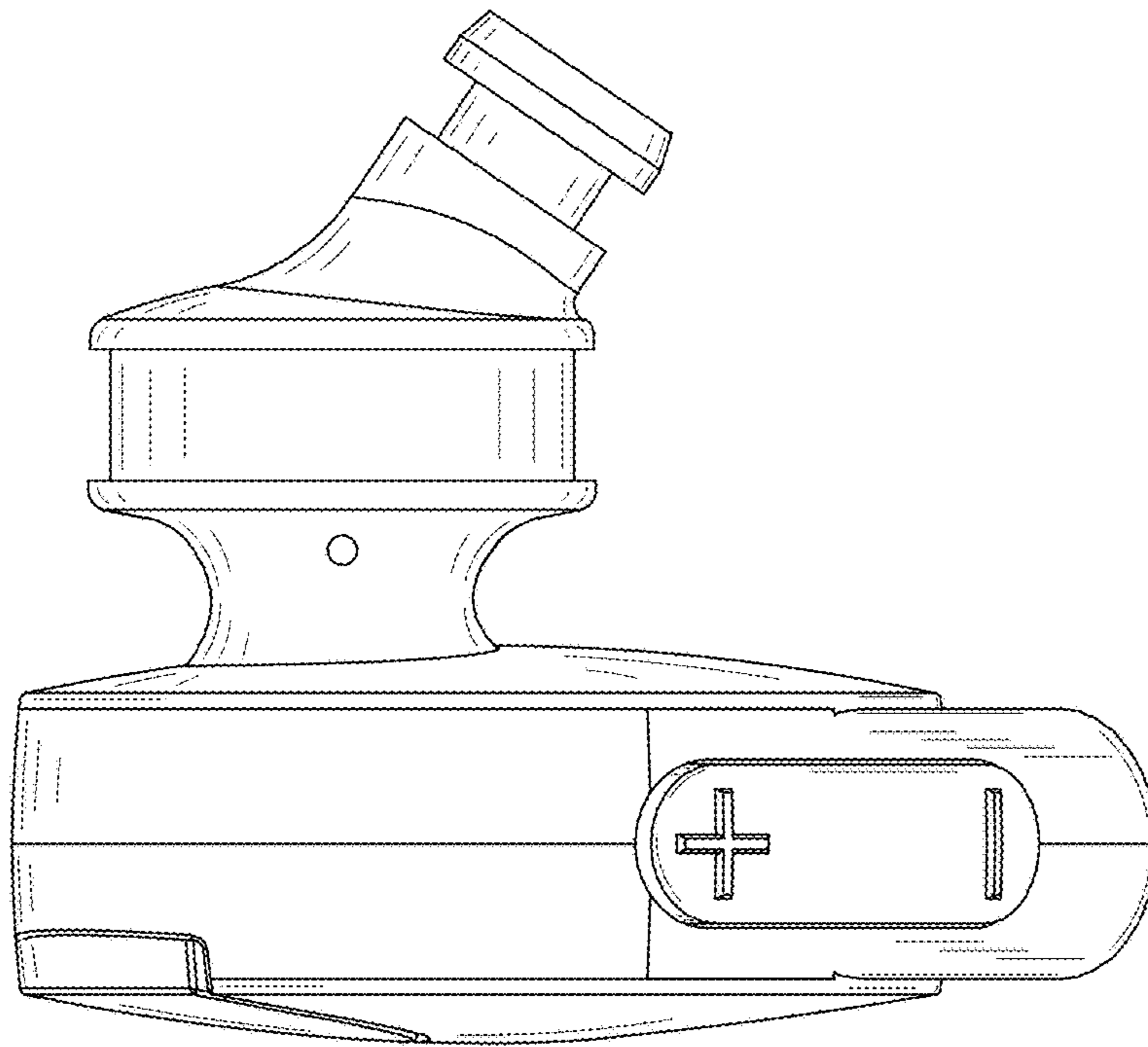


FIG. 5

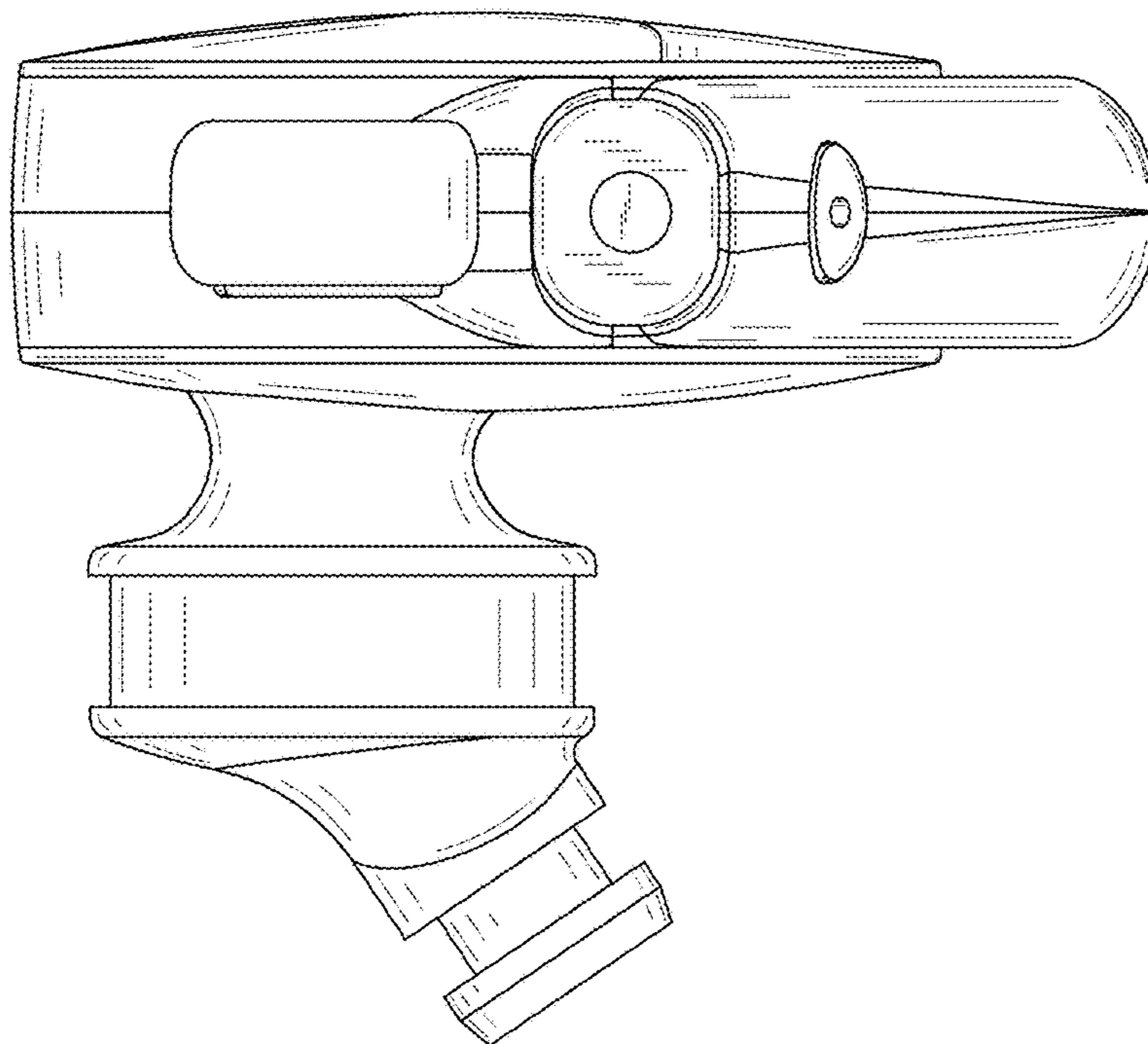


FIG. 6

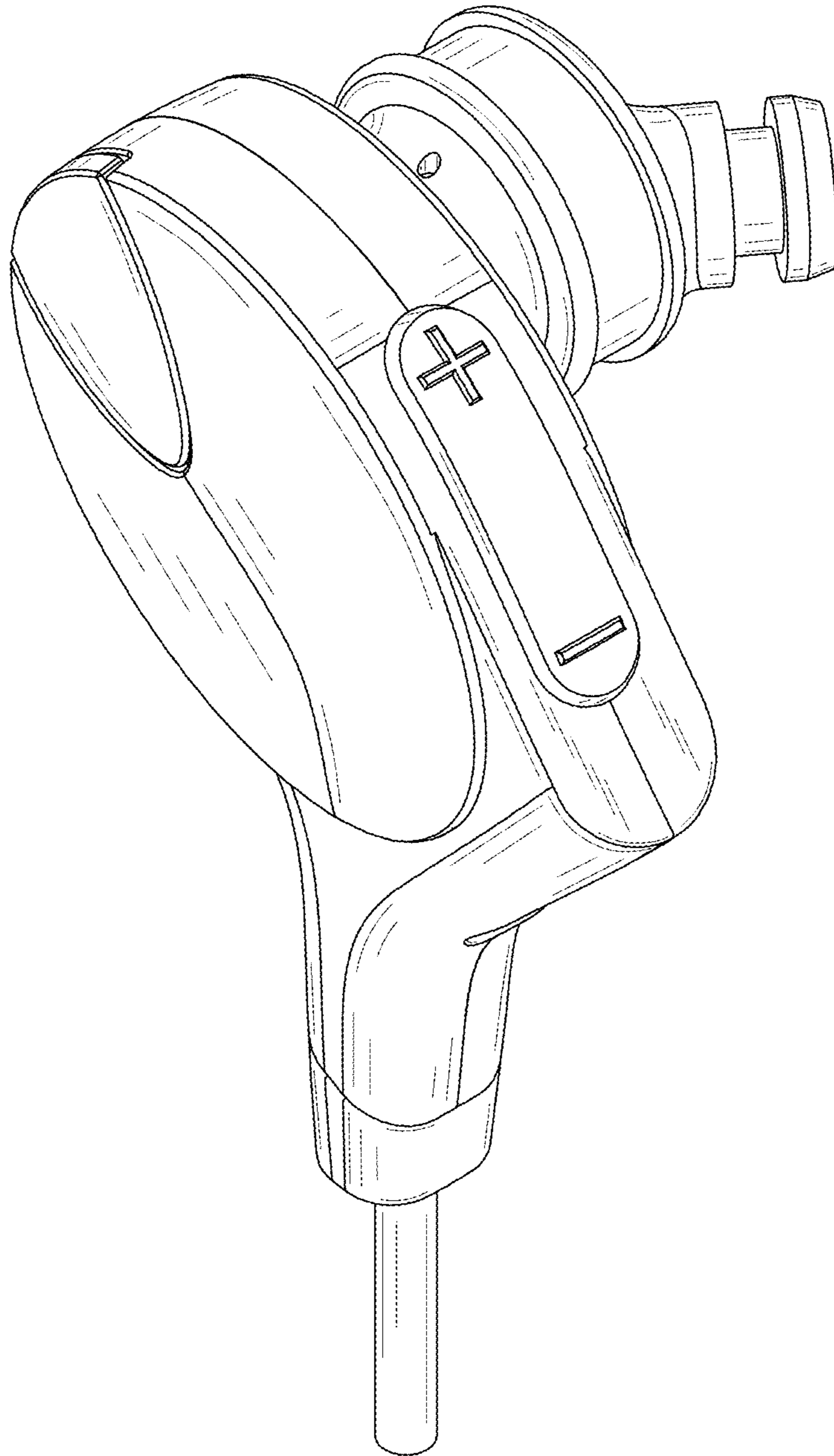


FIG.7



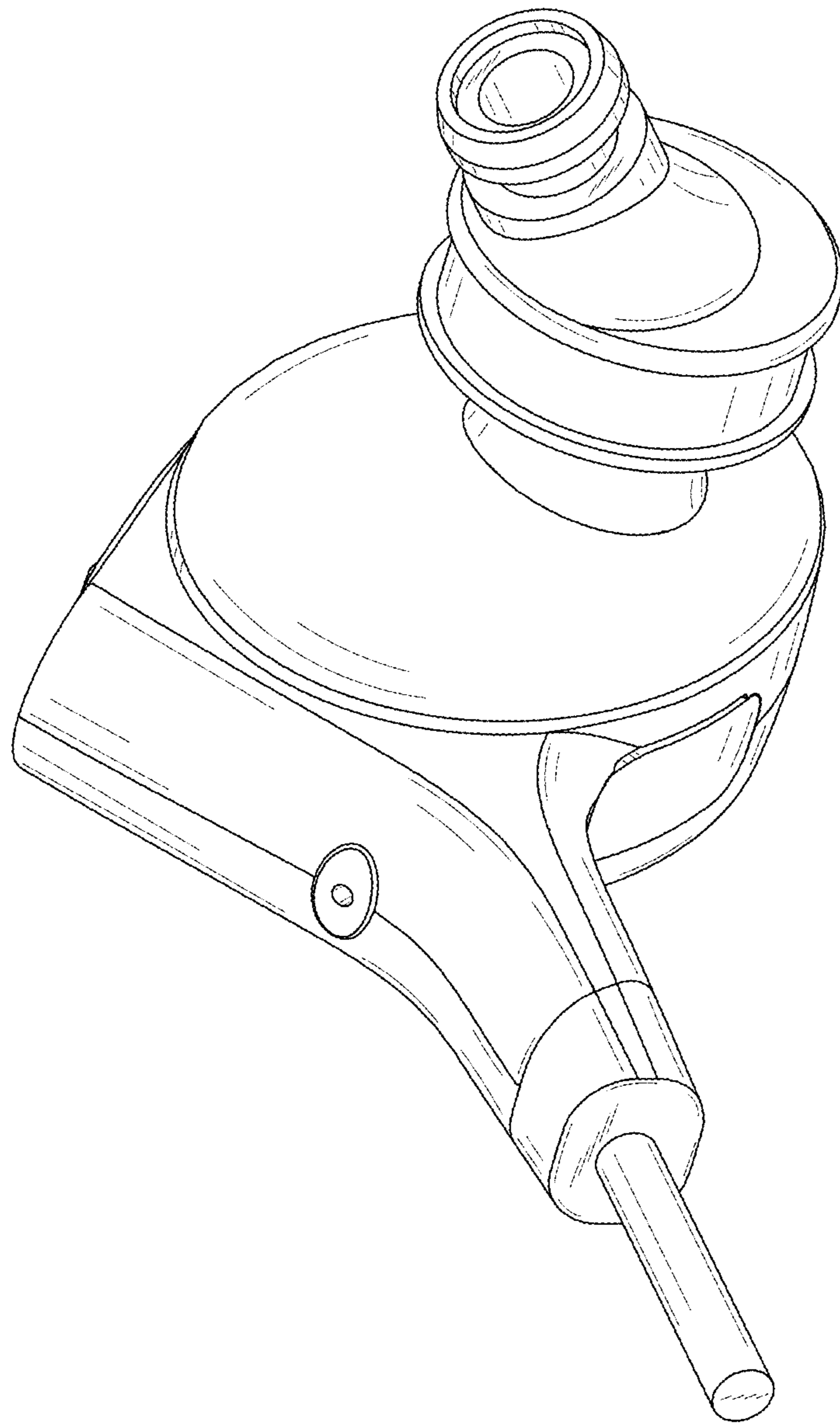


FIG.8