



US00D796485S

(12) **United States Design Patent** (10) **Patent No.:** **US D796,485 S**
Sia et al. (45) **Date of Patent:** **** Sep. 5, 2017**

(54) **PAIR OF HEADPHONES**

(71) Applicant: **Harman International Industries, Incorporated**, Northridge, CA (US)

(72) Inventors: **Eric Sia**, St. Louis, MO (US); **Ryan Ott**, St. Louis, MO (US); **Effrosini Karayiannis**, St. Louis, MO (US)

(73) Assignee: **Harman International Industries, Incorporated**, Northridge, CA (US)

(**) Term: **15 Years**

(21) Appl. No.: **29/549,963**

(22) Filed: **Dec. 29, 2015**

(51) **LOC (10) Cl.** **14-01**

(52) **U.S. Cl.**
USPC **D14/223**

(58) **Field of Classification Search**

USPC D14/223, 205; D24/106; D29/112;
2/209; 181/129, 130, 135; 381/380, 381,
381/374, 375, 382

CPC H04R 1/1016; H04R 25/00; H04R 1/10;
H04R 25/02; H04R 1/105; H04R 5/0335;
H04R 5/033; H04R 1/1033

See application file for complete search history.

(56) **References Cited**

U.S. PATENT DOCUMENTS

2,248,837	A *	7/1941	Walters	H04R 25/652
					181/130
2,430,229	A *	11/1947	Kelsey	H04R 1/1058
					181/130
3,440,365	A *	4/1969	Hazell	H04M 1/05
					379/430
D272,904	S *	3/1984	Kawano	D14/205
4,585,089	A *	4/1986	Topholm	H04R 25/65
					181/130

(Continued)

Primary Examiner — Paula Greene

(74) *Attorney, Agent, or Firm* — Plumsea Law Group, LLC

(57) **CLAIM**

The ornamental design for a pair of headphones, as shown and described.

DESCRIPTION

FIG. 1 is an interior perspective view of the left headphone of a pair of headphones showing our new design, with the left headphone shown separately for purposes of illustration; FIG. 2 is another interior perspective view thereof;

FIG. 3 is a side elevational view of the exterior side thereof; FIG. 4 is a side elevational view of the interior side thereof; FIG. 5 is an end elevational view thereof viewed from the right side of FIG. 1;

FIG. 6 is an end elevational view thereof viewed from the left side of FIG. 1;

FIG. 7 is a top plan view thereof;

FIG. 8 is a bottom plan view thereof;

FIG. 9 is an interior perspective view of the right headphone of a pair of headphones showing of our new design, with the right headphone shown separately for purposes of illustration;

FIG. 10 is another interior perspective view thereof;

FIG. 11 is a side elevational view of the exterior side thereof;

FIG. 12 is a side elevational view of the interior side thereof;

FIG. 13 is an end elevational view thereof viewed from the left or from the front of FIG. 9;

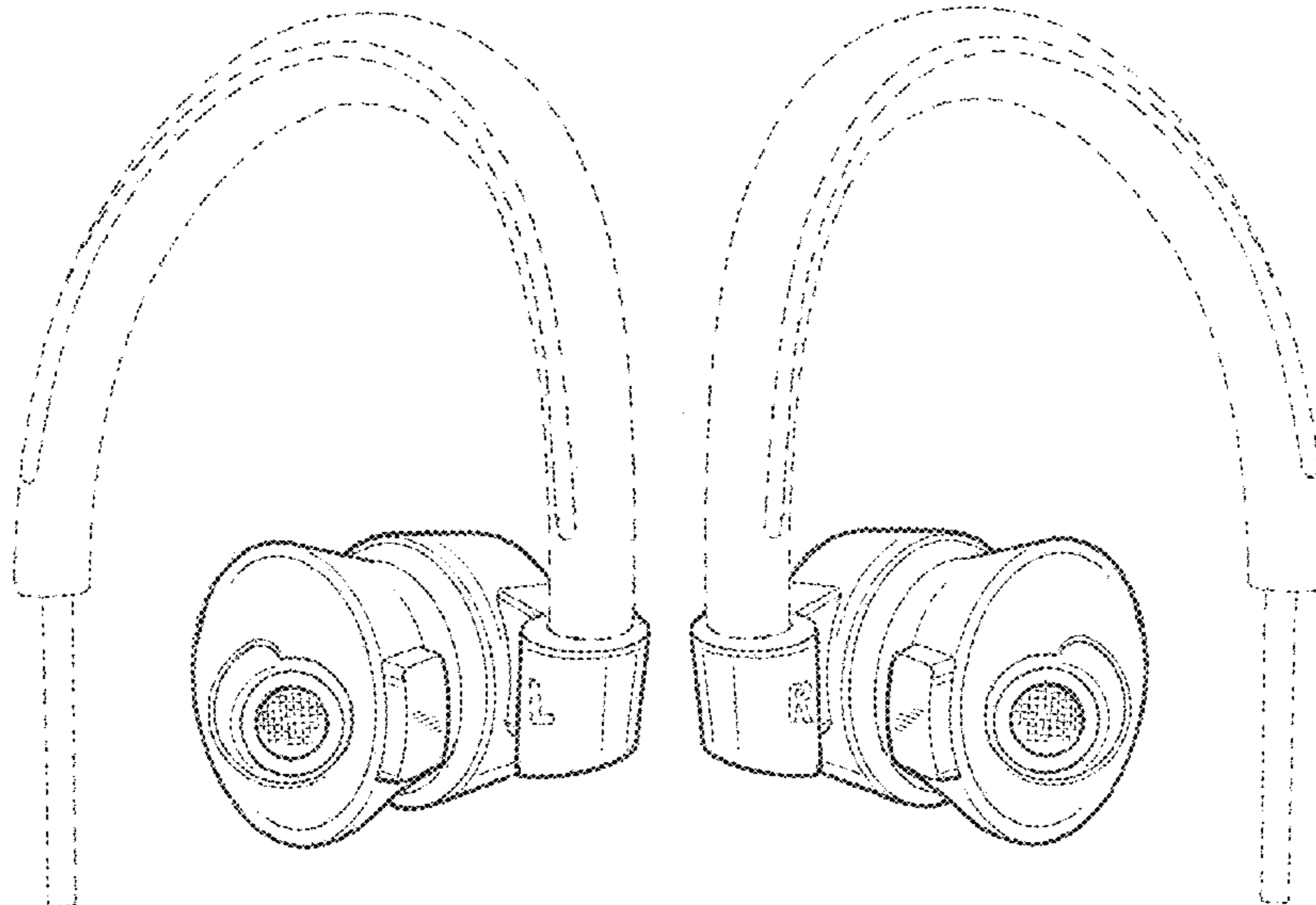
FIG. 14 is an end elevational view thereof viewed from the right or from the rear of FIG. 9;

FIG. 15 is a top plain view thereof; and,

FIG. 16 is a bottom plan view thereof.

The broken lines depict environment that forms no part of the claimed design.

1 Claim, 10 Drawing Sheets



(56)

References Cited

U.S. PATENT DOCUMENTS

D287,280 S * 12/1986 Topholm D24/174
 D287,764 S * 1/1987 Topholm D24/174
 D287,765 S * 1/1987 Topholm D24/174
 4,668,842 A * 5/1987 Yokoyama H04R 1/1066
 381/370
 D293,107 S * 12/1987 Muller D14/197
 D348,067 S * 6/1994 Lucey D14/223
 D375,959 S * 11/1996 Davis D14/206
 D385,272 S * 10/1997 Jensen D14/142
 6,101,260 A * 8/2000 Jensen H04M 1/05
 379/430
 6,418,230 B1 * 7/2002 McDonald H04R 1/10
 379/426
 D481,709 S * 11/2003 Solderits D14/223
 6,728,388 B1 * 4/2004 Nageno H04R 1/105
 381/330
 6,772,853 B2 * 8/2004 Yang H04R 1/1066
 181/129
 6,868,164 B2 * 3/2005 Ito H04R 5/0335
 381/370
 D505,411 S * 5/2005 Sakai D14/192
 D508,911 S * 8/2005 Sanders D14/223
 D510,085 S * 9/2005 Suzuki D14/223
 D538,270 S * 3/2007 Kim D14/223
 7,231,056 B2 * 6/2007 Chen H04R 1/1066
 381/374
 D556,104 S * 11/2007 Saporito D12/183
 D556,735 S * 12/2007 Yeo D14/206

7,356,362 B2 * 4/2008 Chang H04R 1/1033
 379/430
 D579,006 S * 10/2008 Kim D14/223
 D587,678 S * 3/2009 Yuyama D14/205
 D588,111 S * 3/2009 Komiyama D14/223
 D593,075 S * 5/2009 Williams D14/223
 D601,126 S * 9/2009 Christopher D14/206
 D603,380 S * 11/2009 Hutchieson D14/223
 D603,847 S * 11/2009 Chung D14/223
 D606,048 S * 12/2009 Soetejo D14/223
 7,708,110 B2 * 5/2010 Leong A61F 11/08
 128/867
 D618,669 S * 6/2010 Johnson H04R 1/1016
 D14/223
 D624,529 S * 9/2010 Huang D14/206
 D631,470 S * 1/2011 Yoneyama D14/223
 D635,960 S * 4/2011 Gondo D14/223
 D641,010 S * 7/2011 Kwon D14/223
 8,103,040 B2 * 1/2012 Pelland H04R 1/1016
 381/374
 D666,581 S * 9/2012 Perez D14/223
 D674,373 S * 1/2013 Combs D14/205
 8,411,893 B2 * 4/2013 Ito H04R 1/105
 181/135
 D691,580 S * 10/2013 Cho D14/205
 D712,884 S * 9/2014 Krauss D14/205
 D718,745 S * 12/2014 Thompson D14/223
 D751,530 S * 3/2016 Kolton D14/205
 D772,844 S * 11/2016 Ott D14/205
 2013/0010997 A1 * 1/2013 Tanaka A61B 5/01
 381/380

* cited by examiner

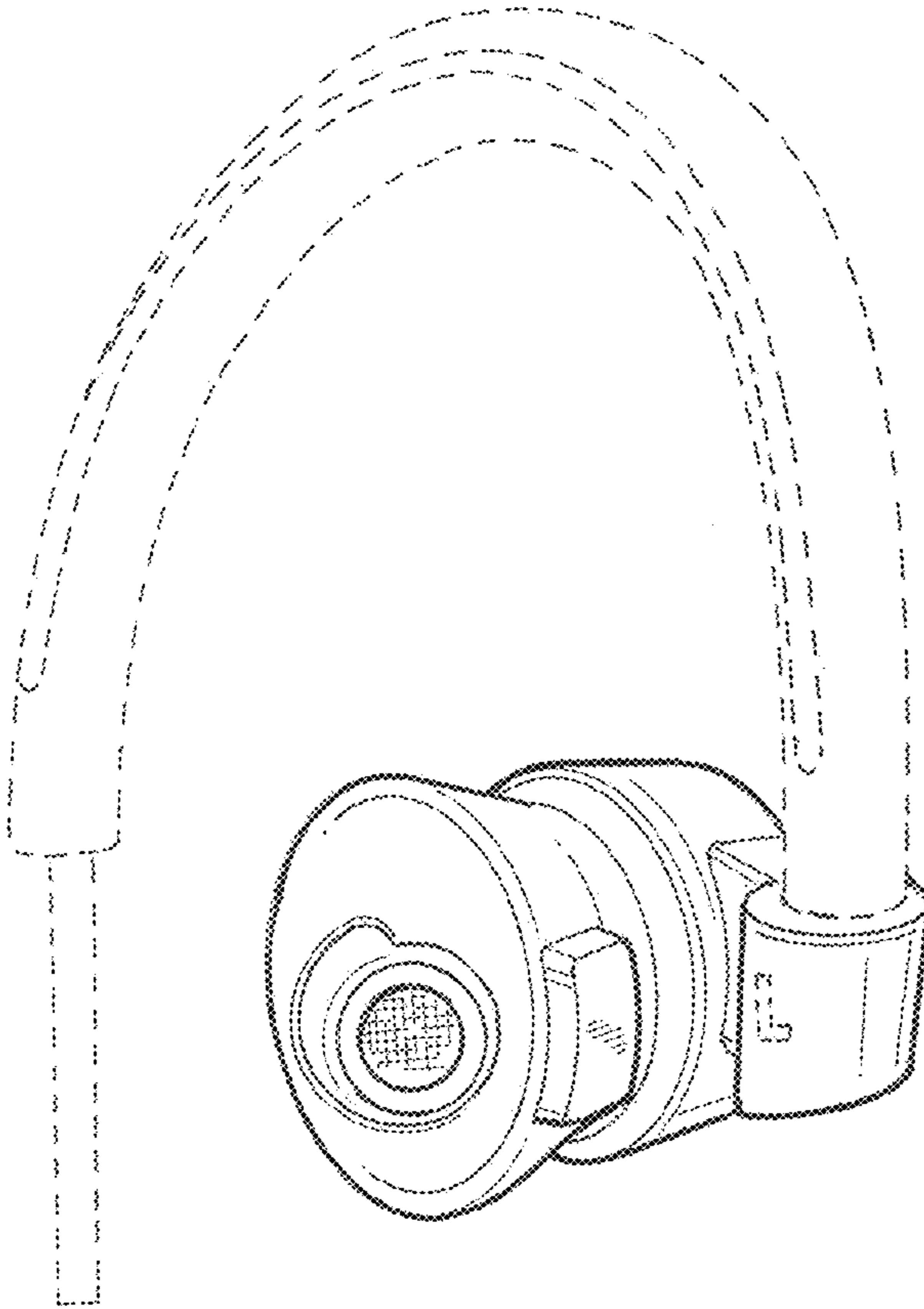


FIG. 1

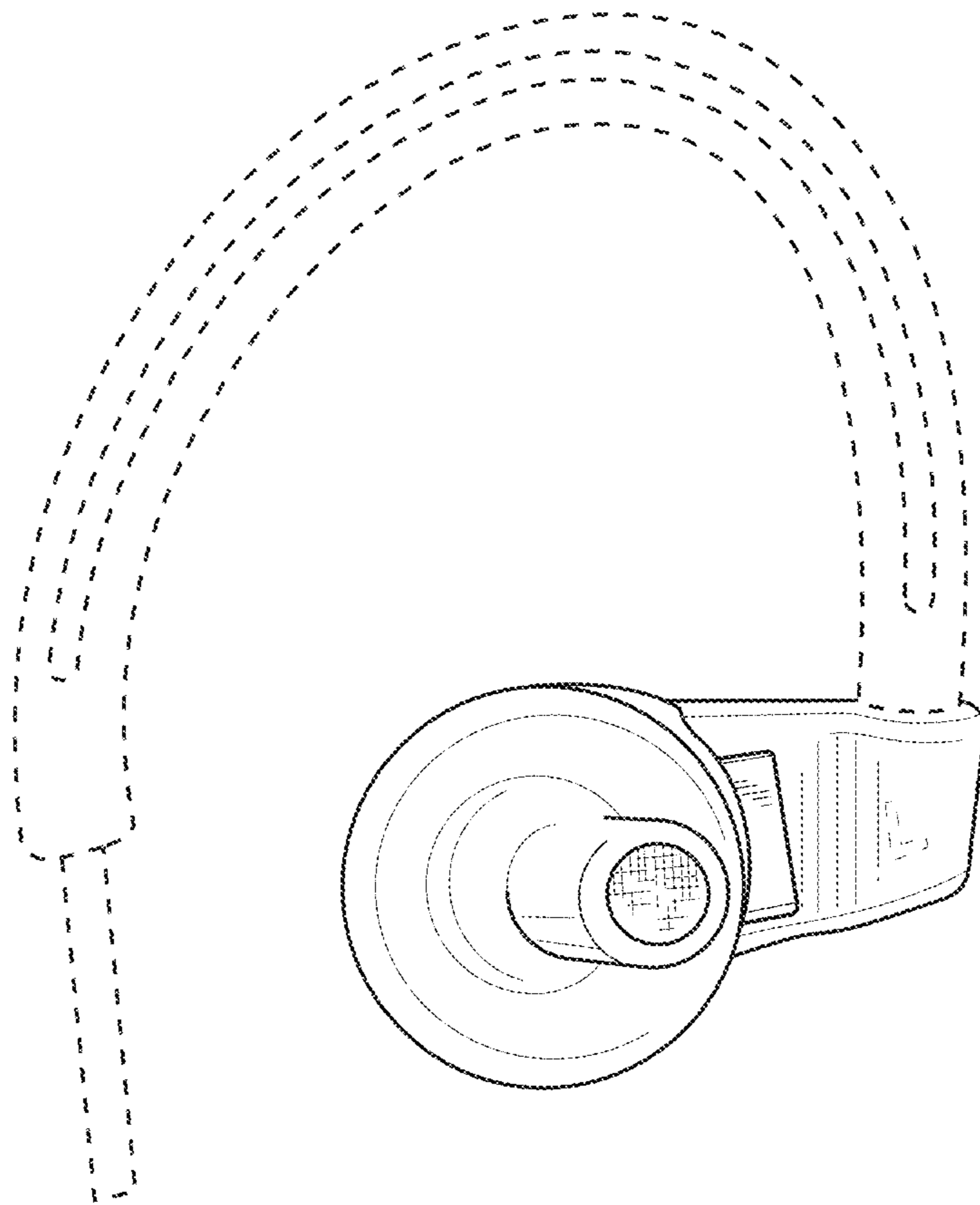


FIG. 2

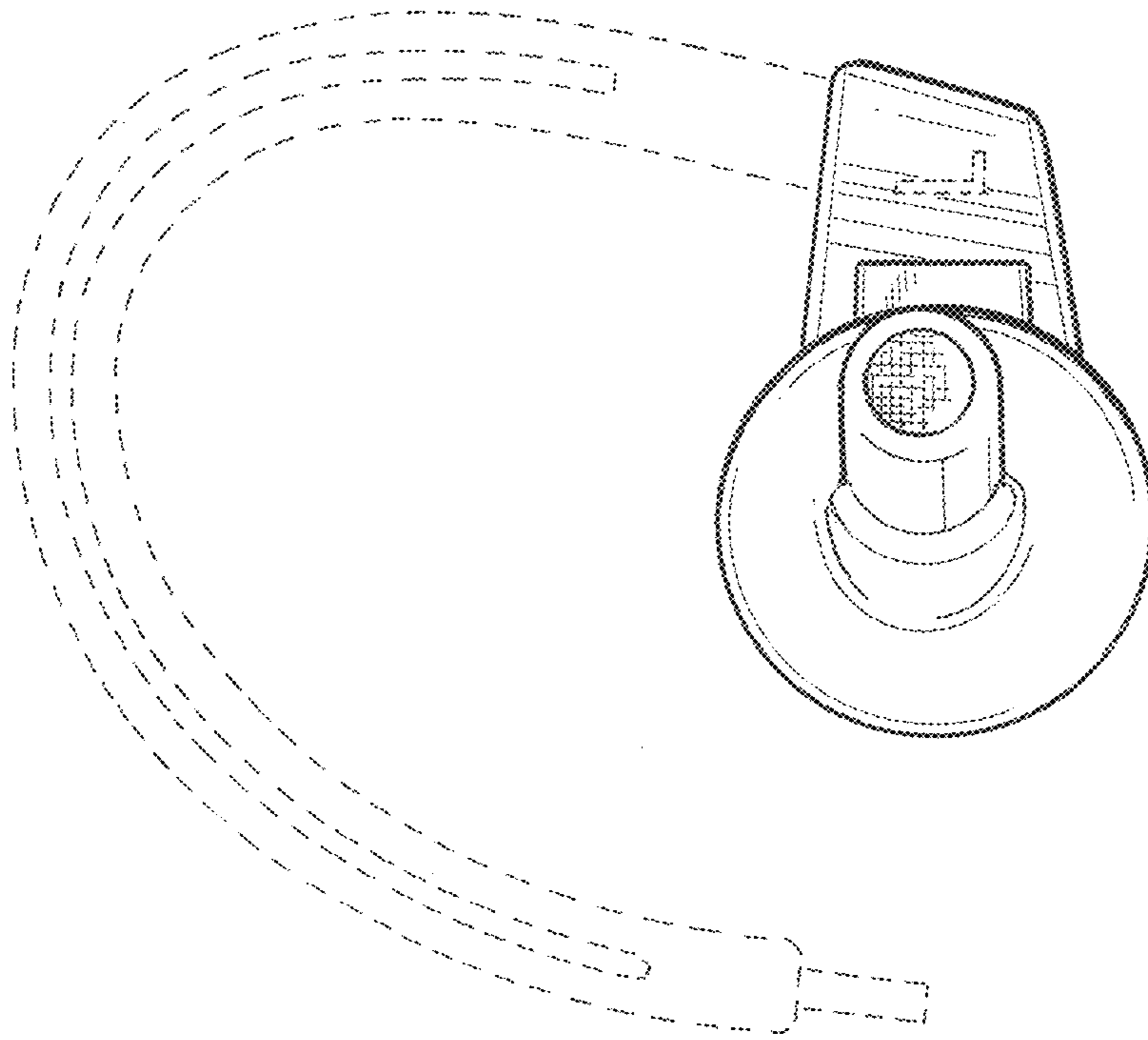


FIG. 4

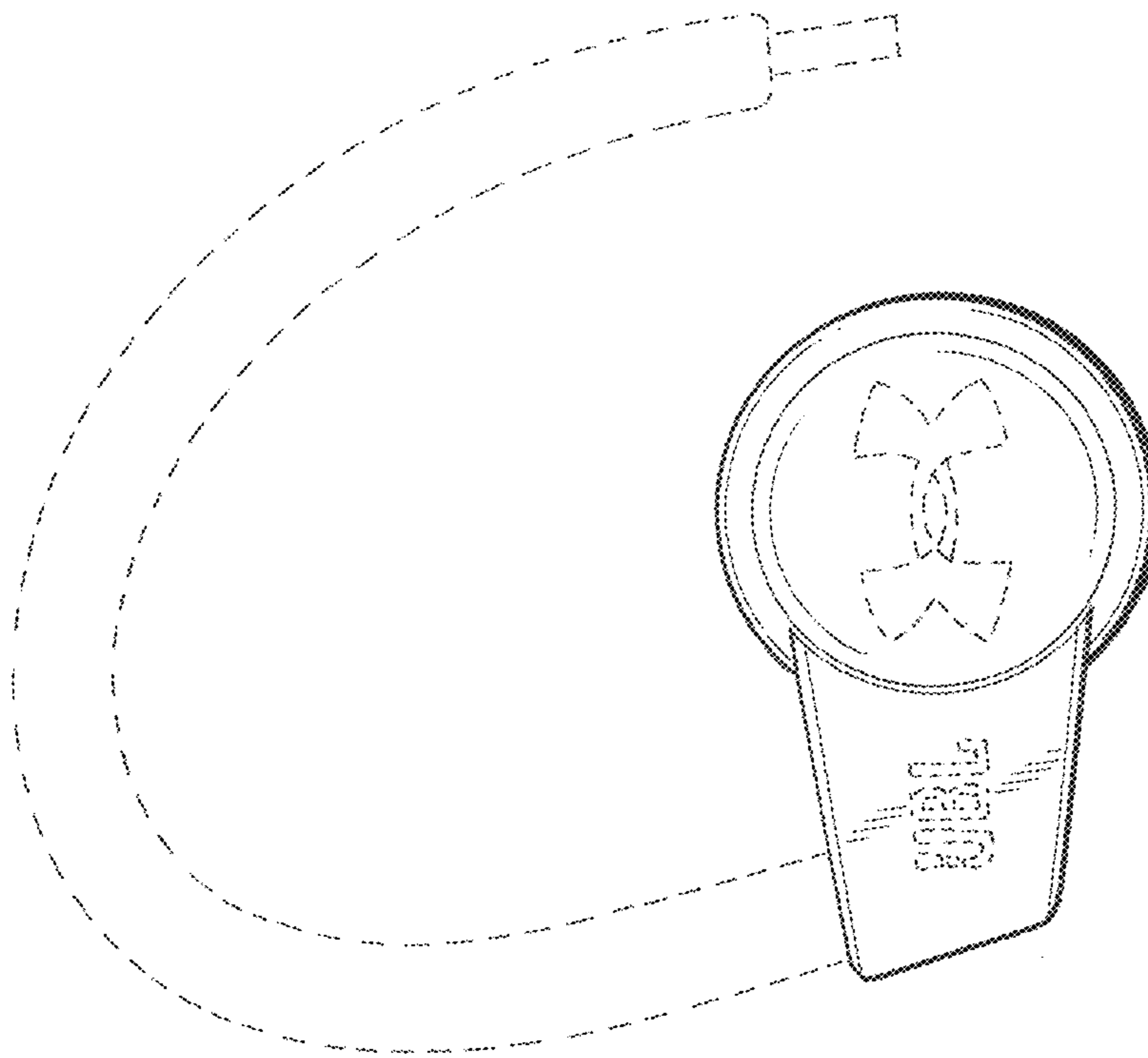


FIG. 3

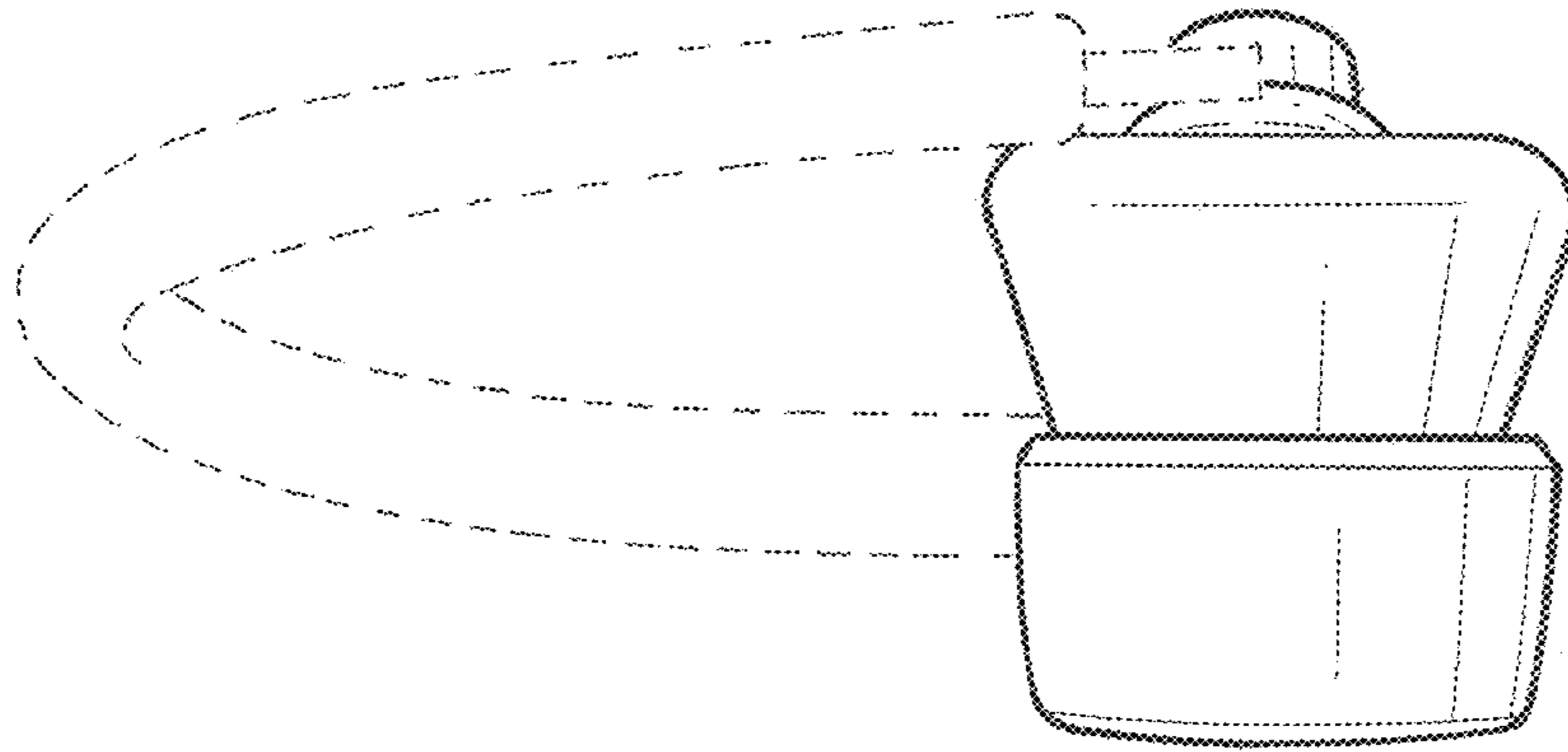


FIG. 6

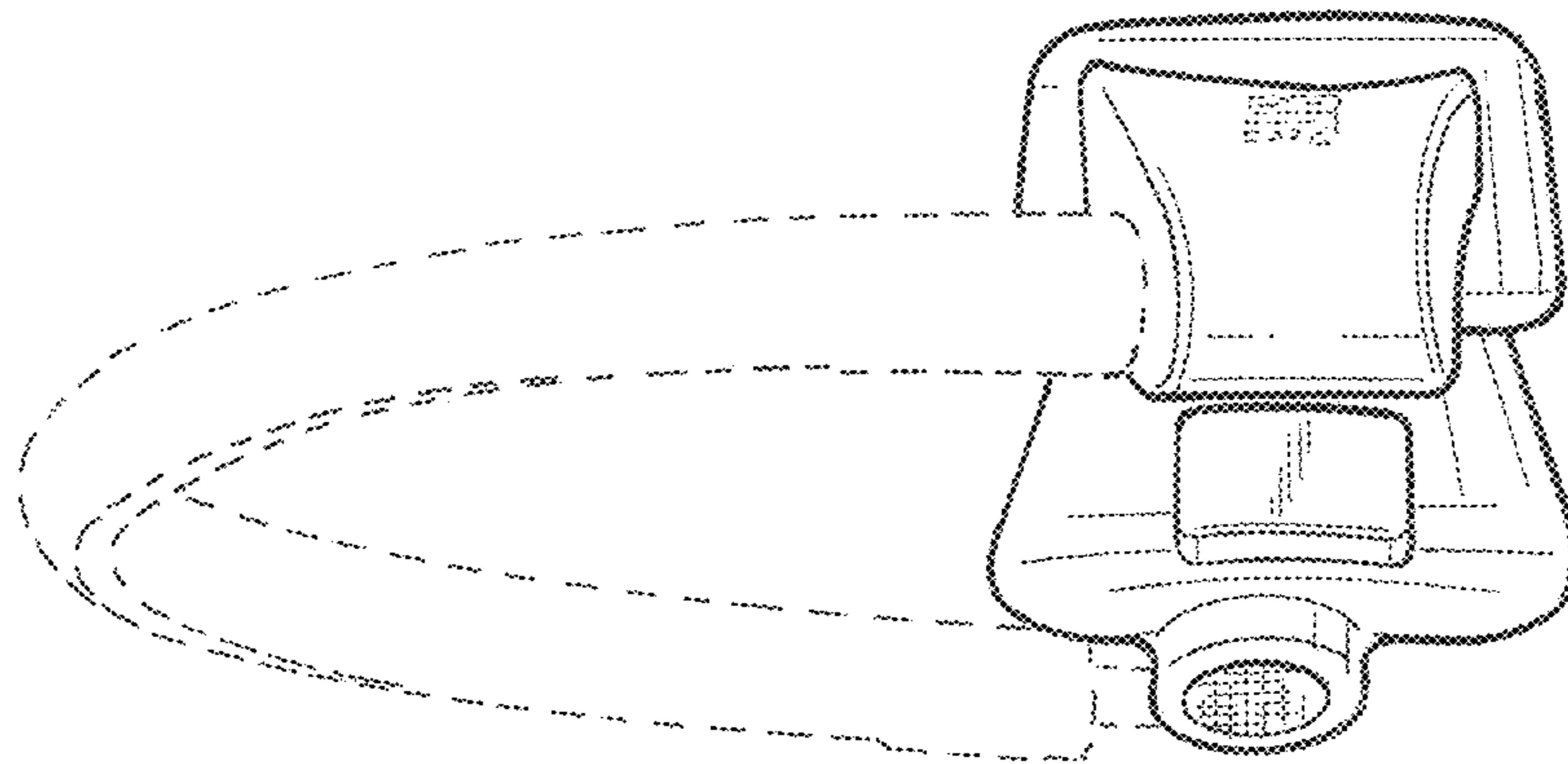


FIG. 5

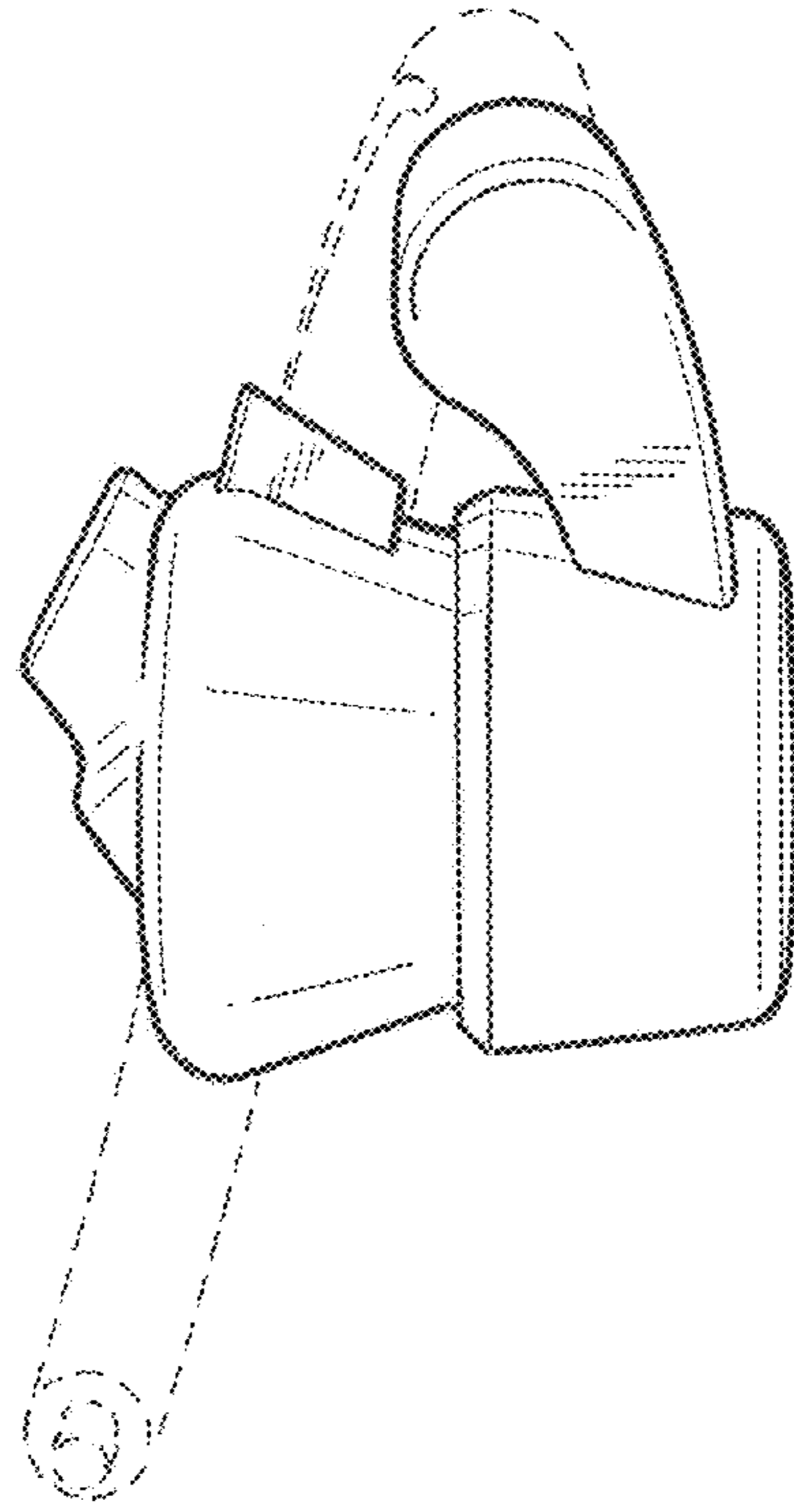


FIG. 8

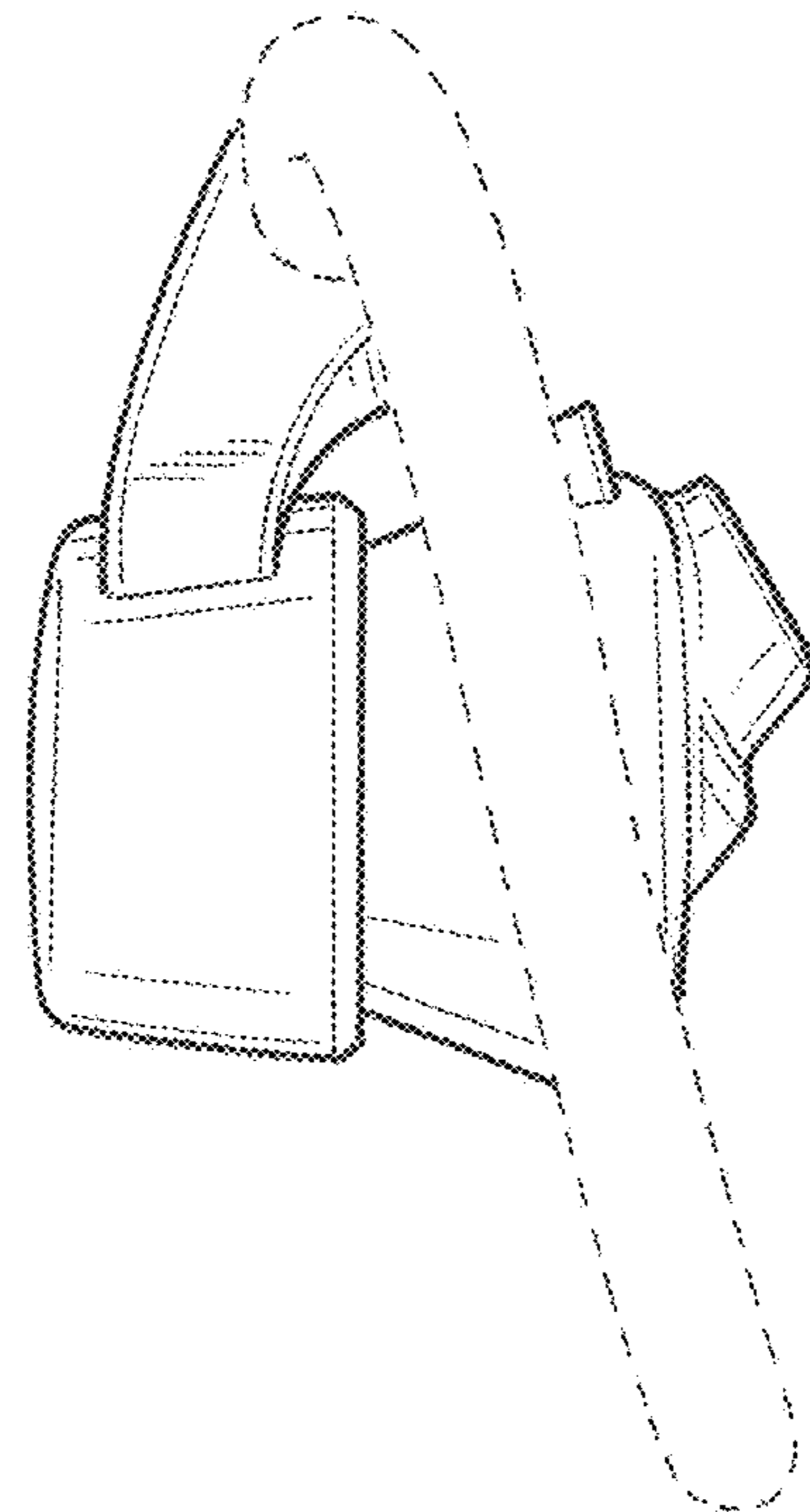


FIG. 7

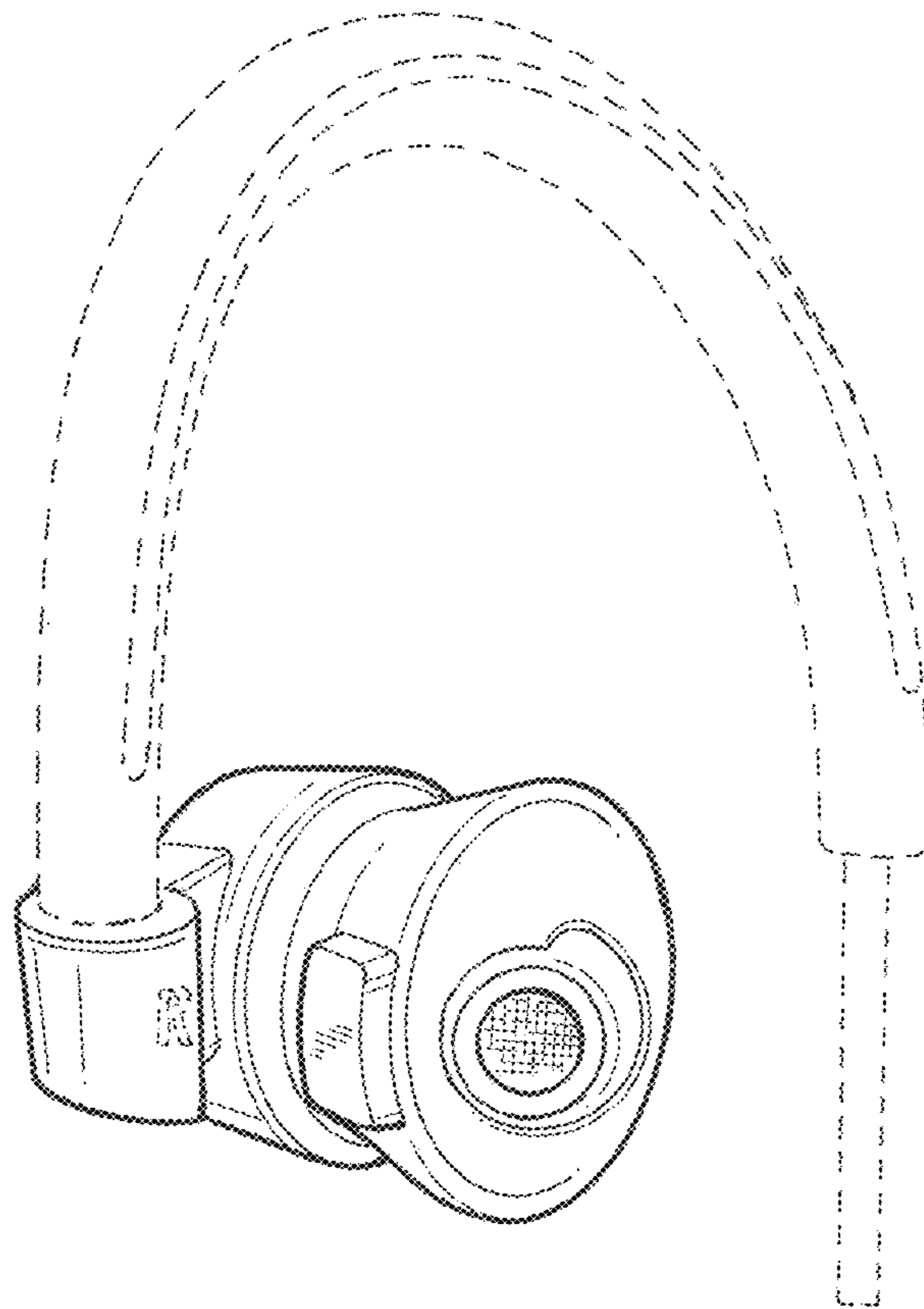


FIG. 9

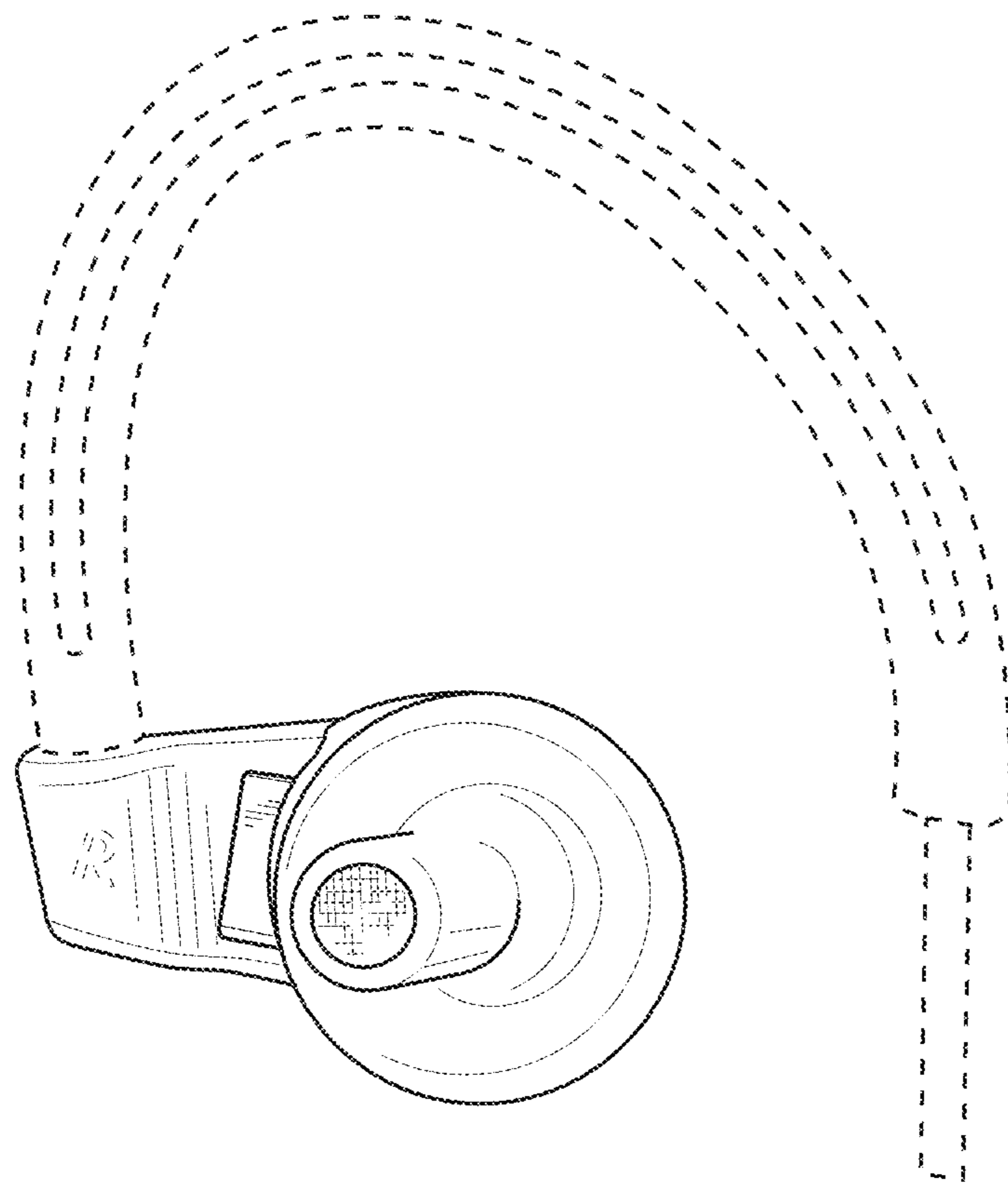


FIG. 10

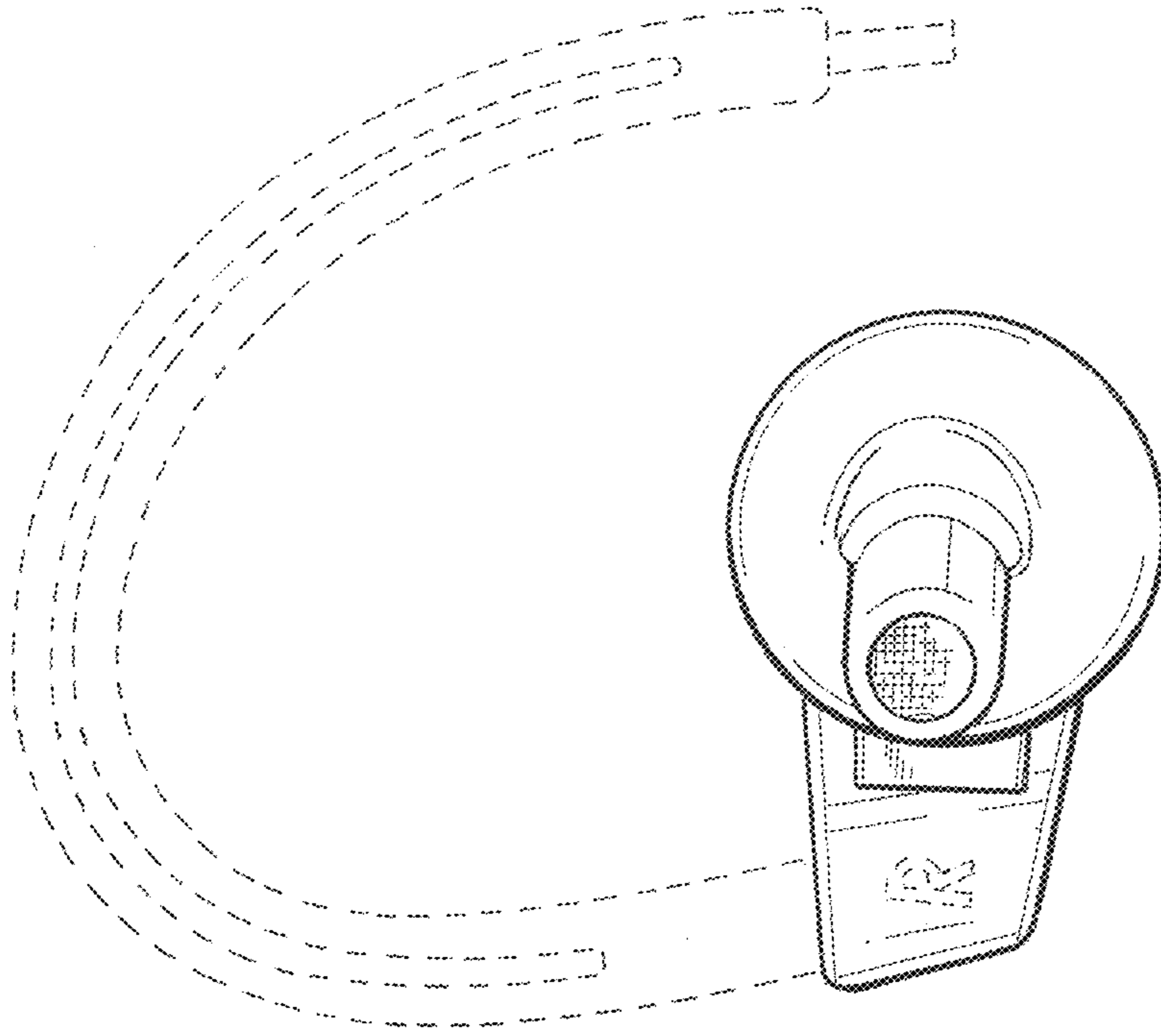


FIG. 12

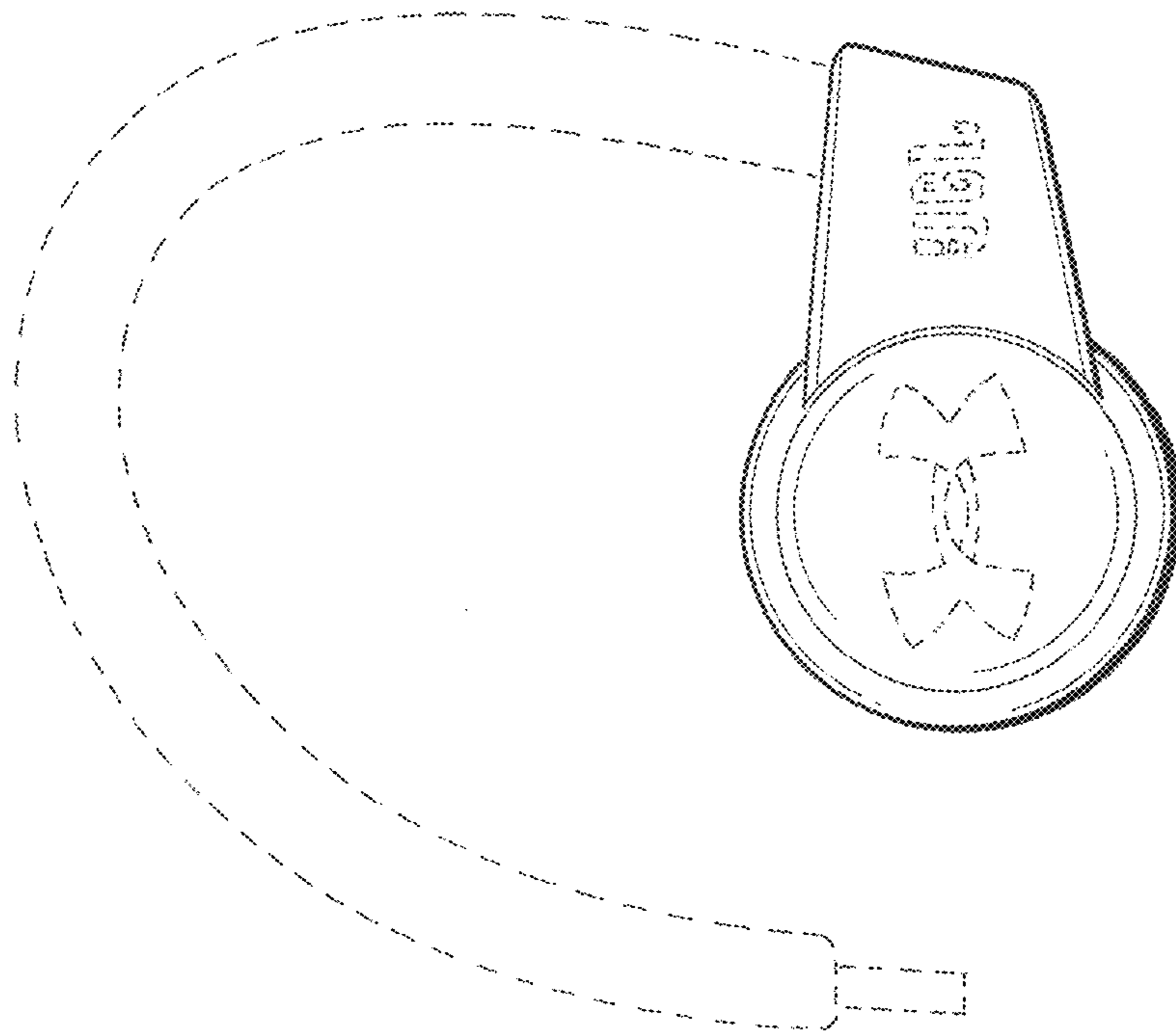


FIG. 11

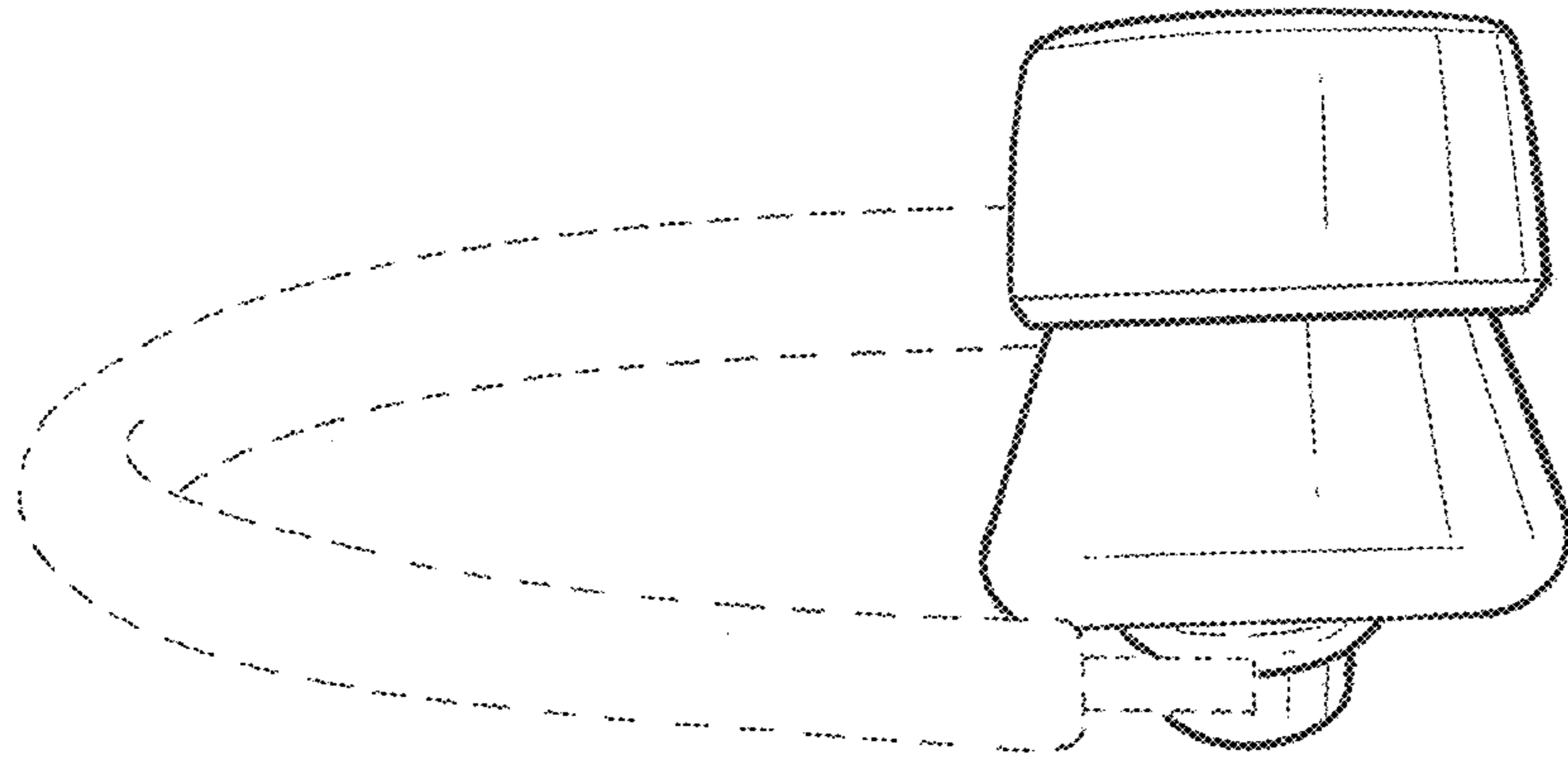


FIG. 14

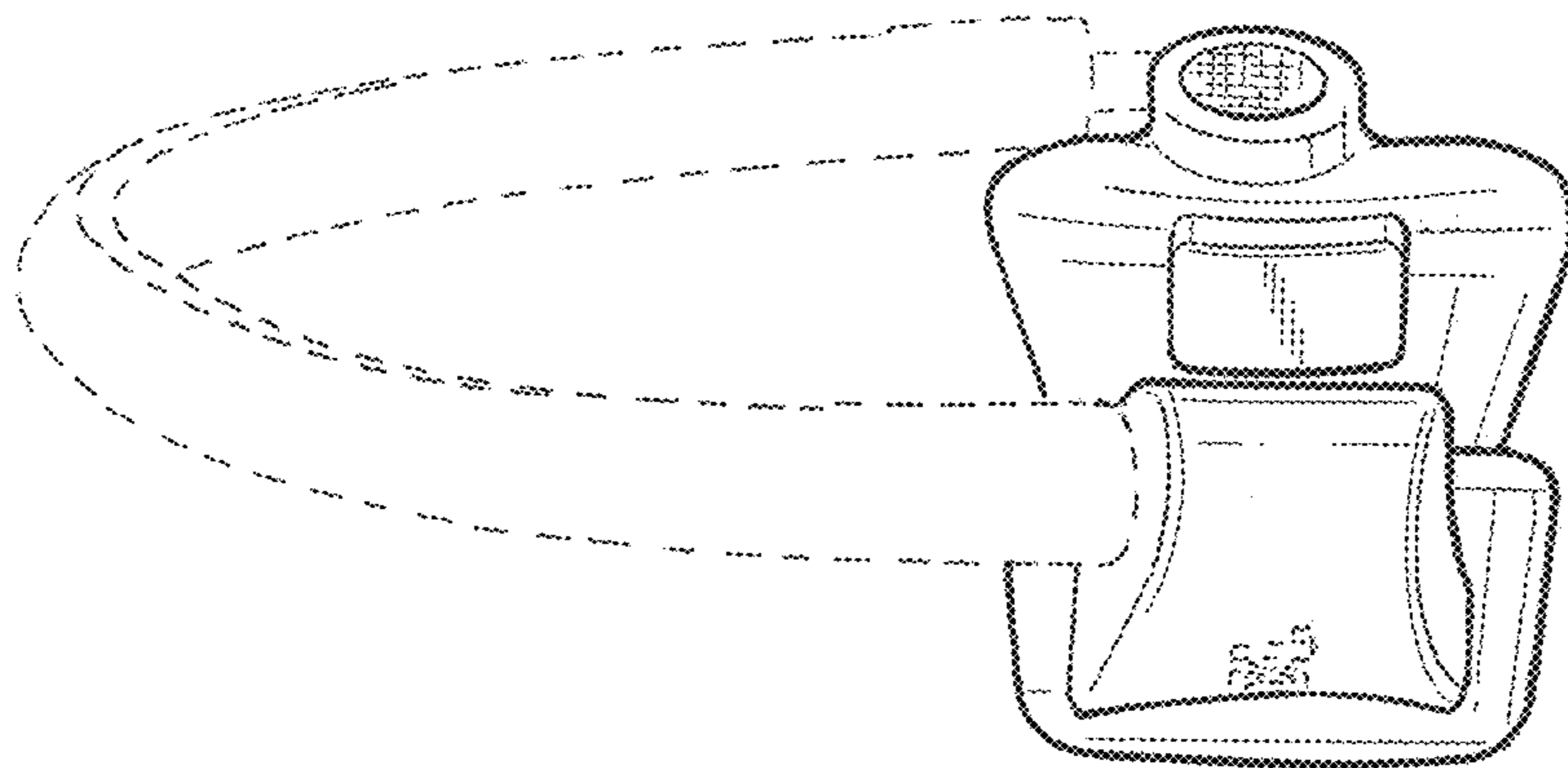


FIG. 13

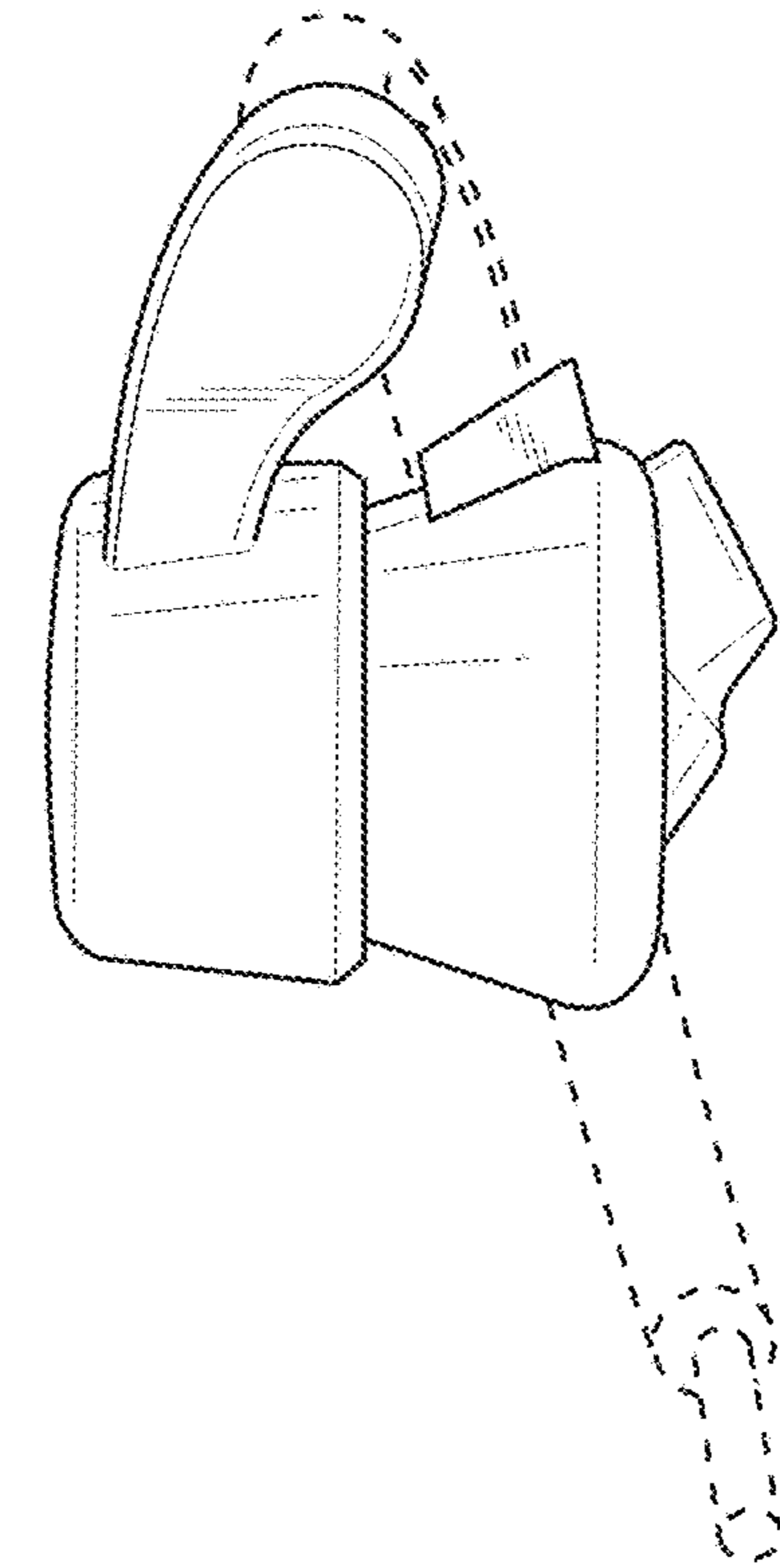


FIG. 16

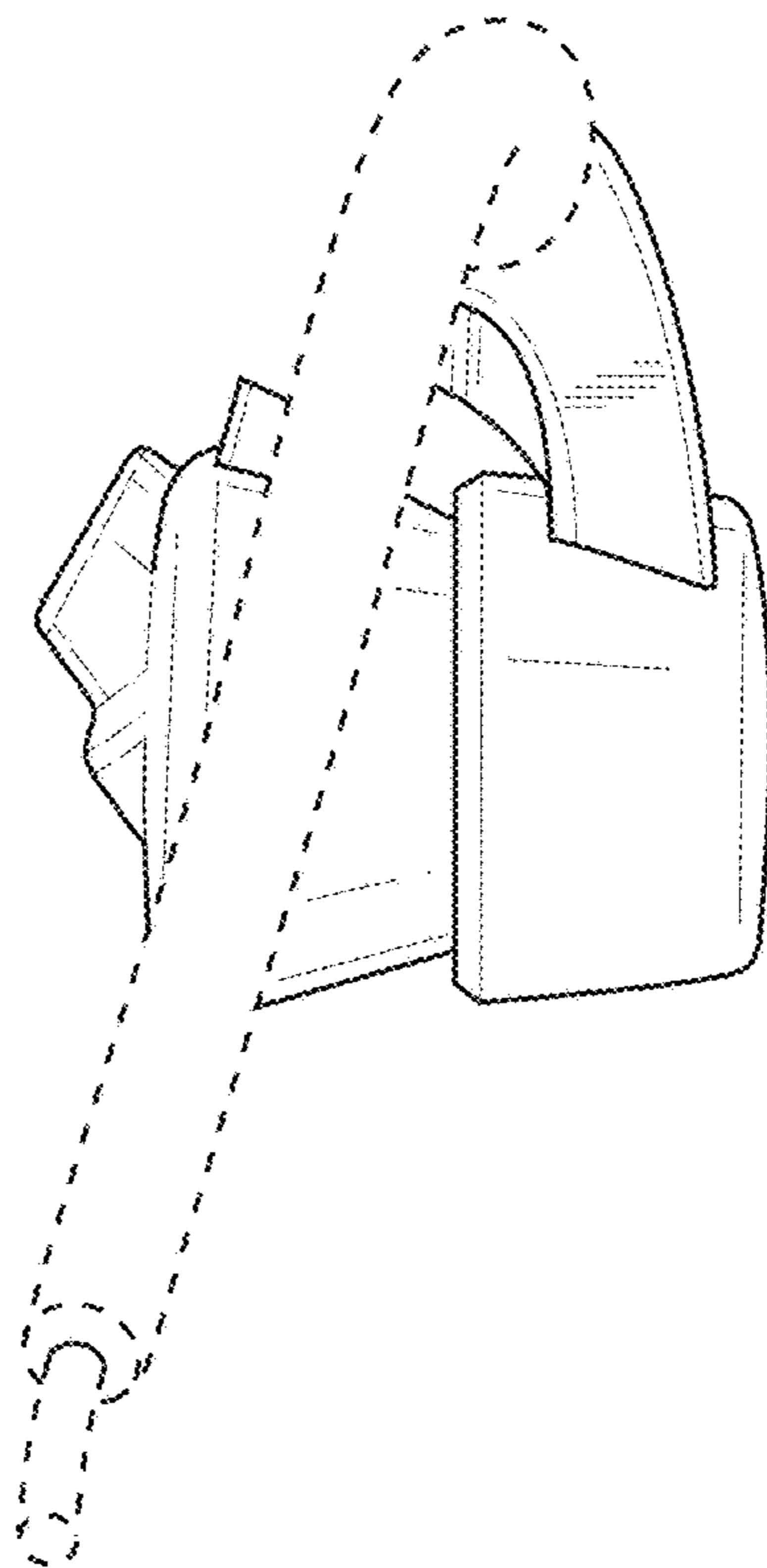


FIG. 15