



US00D796483S

(12) **United States Design Patent**  
**Einaudi et al.**

(10) **Patent No.:** **US D796,483 S**

(45) **Date of Patent:** **\*\* Sep. 5, 2017**

(54) **REMOTE CONTROL**

(71) Applicant: **Caavo Inc**, Santa Clara, CA (US)

(72) Inventors: **Andrew E. Einaudi**, San Francisco, CA (US); **Ashish D. Aggarwal**, Stevenson Ranch, CA (US); **Scott M. Thibeault**, Redwood City, CA (US); **Susan McKinney**, San Francisco, CA (US); **Gad Amit**, San Mateo, CA (US)

(73) Assignee: **Caavo Inc**, Milpitas, CA (US)

(\*\*) Term: **15 Years**

(21) Appl. No.: **29/550,583**

(22) Filed: **Jan. 5, 2016**

(51) **LOC (10) Cl.** ..... **14-03**

(52) **U.S. Cl.**  
USPC ..... **D14/218**

(58) **Field of Classification Search**  
USPC ..... D14/137, 138, 139, 140, 174, 217–218,  
D14/240, 247, 388, 389, 390, 396, 511;  
D13/162, 163, 164, 168; D21/516, 517  
CPC ..... G08C 17/02; G08C 19/12; G08C 23/04  
See application file for complete search history.

(56) **References Cited**

**U.S. PATENT DOCUMENTS**

D396,468 S *	7/1998	Schindler	.....	D14/218
D400,885 S *	11/1998	Goto	.....	D14/218
D410,909 S *	6/1999	Tickle	.....	D14/388
D531,962 S *	11/2006	Tajima	.....	D13/168
D531,963 S *	11/2006	Tajima	.....	D13/168
D534,900 S *	1/2007	Weitgasser	.....	D14/218
D551,215 S *	9/2007	Lee, Jr.	.....	D14/218
D597,082 S *	7/2009	Bang	.....	D14/218
D665,383 S *	8/2012	McManigal	.....	D14/218

D690,695 S *	10/2013	Butterworth	.....	D14/218
D767,538 S *	9/2016	Shimonishi	.....	D14/218
D767,539 S *	9/2016	Shimonishi	.....	D14/218
D767,540 S *	9/2016	Shimonishi	.....	D14/218

**OTHER PUBLICATIONS**

<https://www.amazon.com/Wireless-Presenter-Rechargeable-Powerpoint-Presentation/dp/B014QLLB2O/>—Published Sep. 1, 2015.\*

<https://www.amazon.com/dp/B01LEO6GIU?psc=1>—Published Sep. 2, 2016.\*

\* cited by examiner

*Primary Examiner* — Manpreet Matharu

*Assistant Examiner* — Mojtaba Tehrani

(74) *Attorney, Agent, or Firm* — Fiala & Weaver P.L.L.C.

(57) **CLAIM**

The ornamental design for a remote control, as shown and described.

**DESCRIPTION**

FIG. 1 is a front, bottom and right-side perspective view of a remote control showing the new design;

FIG. 2 is a rear, bottom and right-side perspective view thereof;

FIG. 3 is a front view thereof;

FIG. 4 is a rear view thereof;

FIG. 5 is a right-side view thereof;

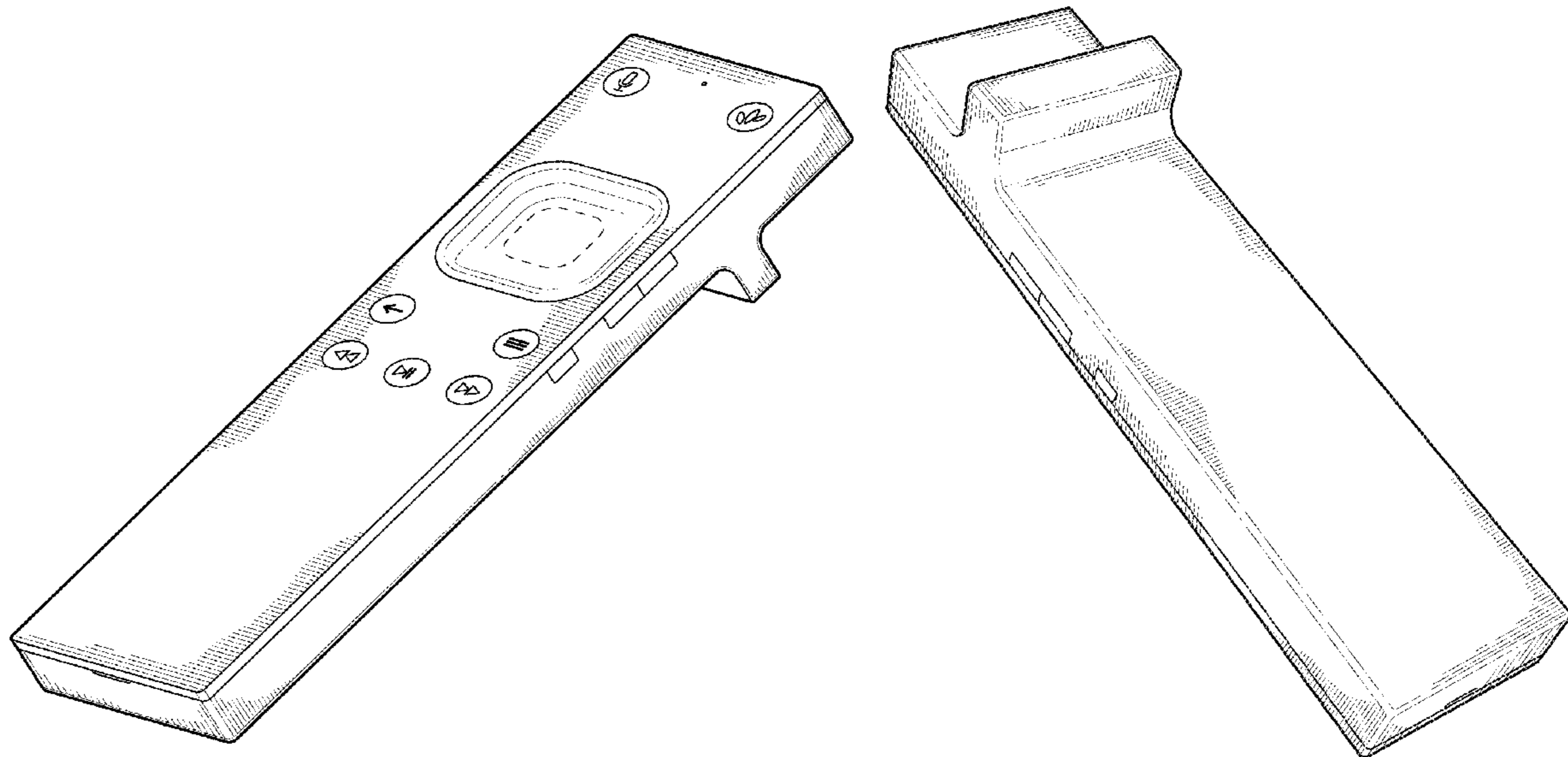
FIG. 6 is a left-side view thereof;

FIG. 7 is a top view thereof; and,

FIG. 8 is a bottom view thereof.

Please note that the broken lines, if any, shown in the drawings represent portions of the remote control that are included for illustrative purposes only and form no part of the claimed design.

**1 Claim, 6 Drawing Sheets**



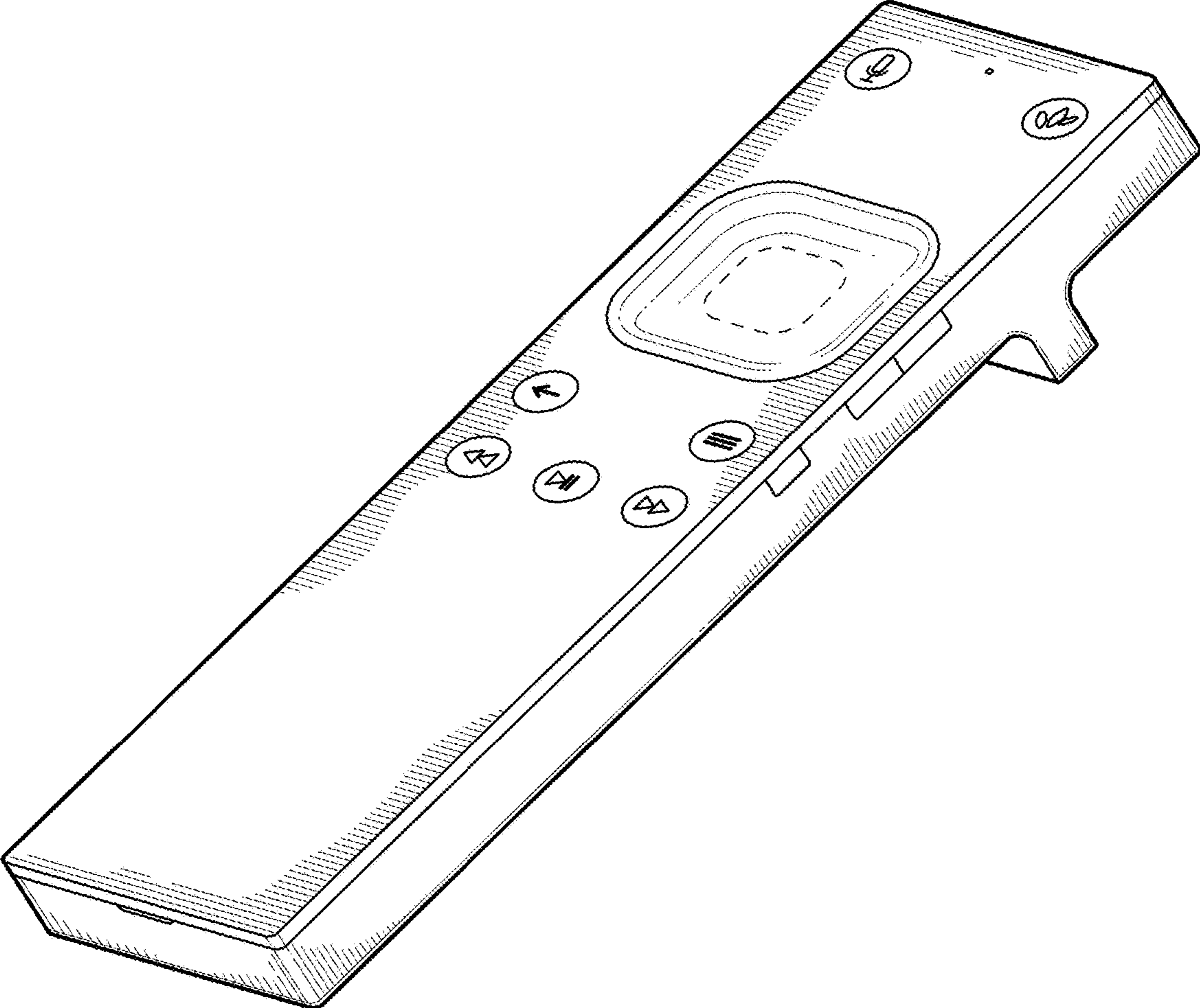


FIG. 1

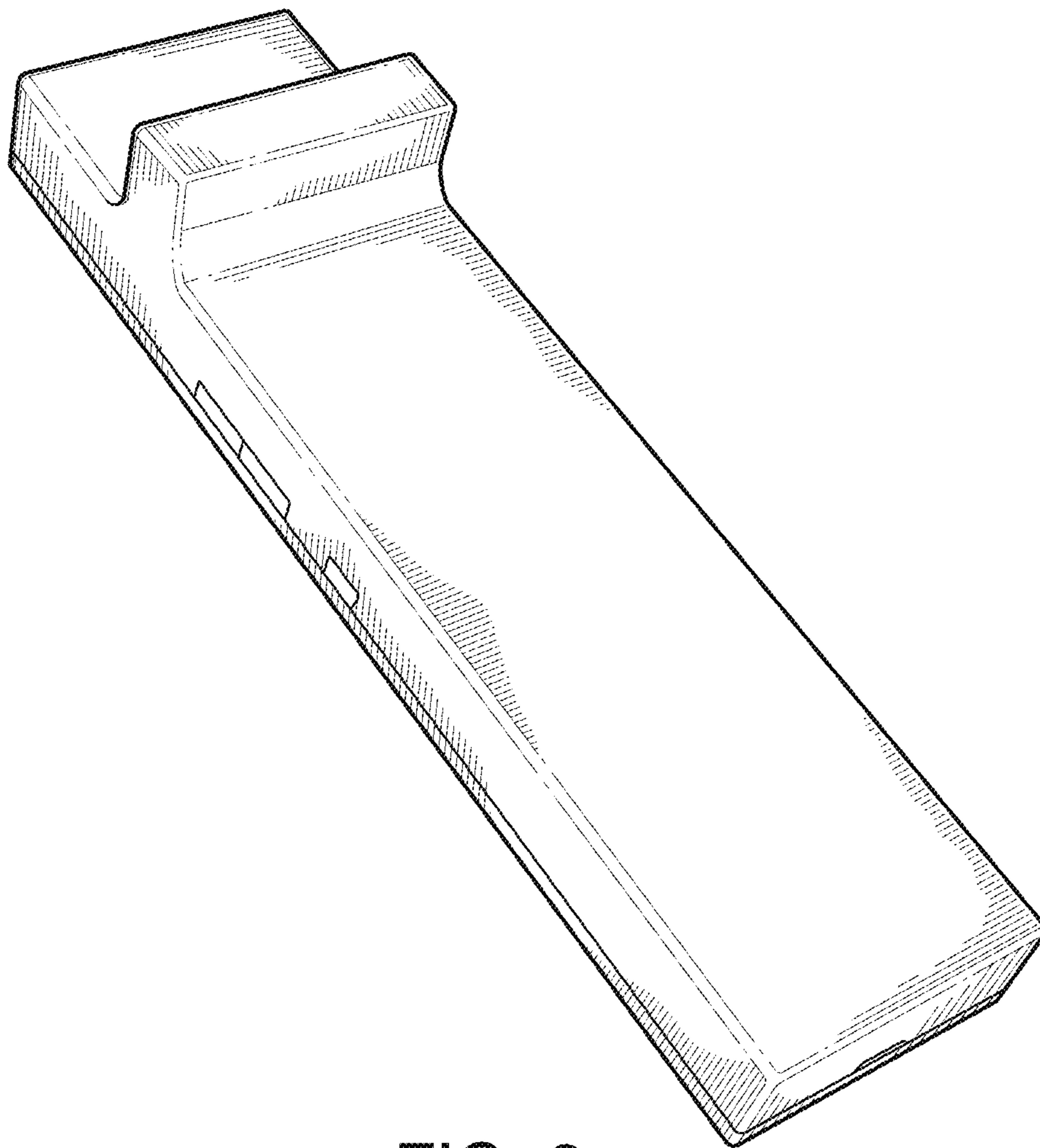


FIG. 2

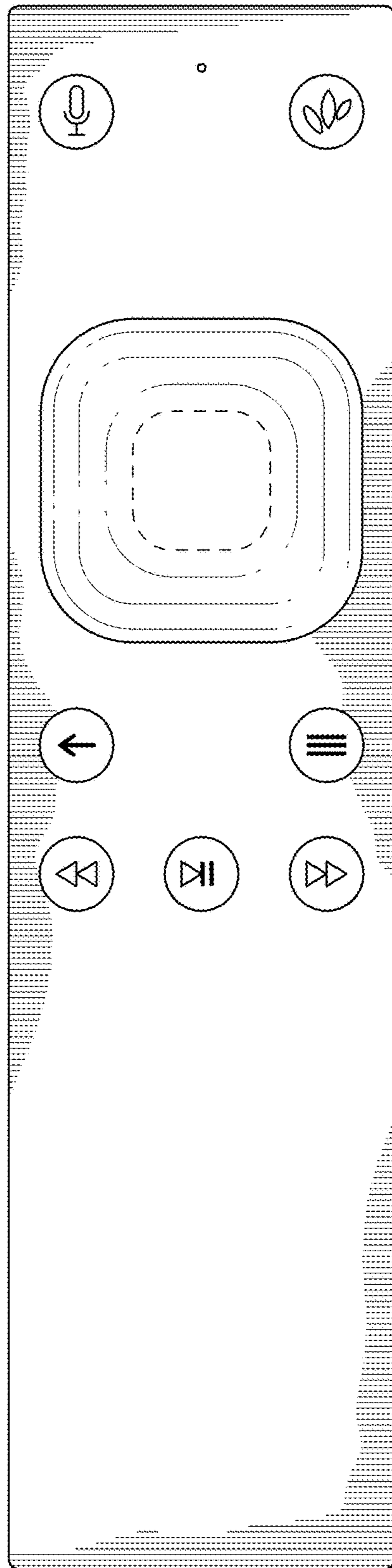


FIG. 3



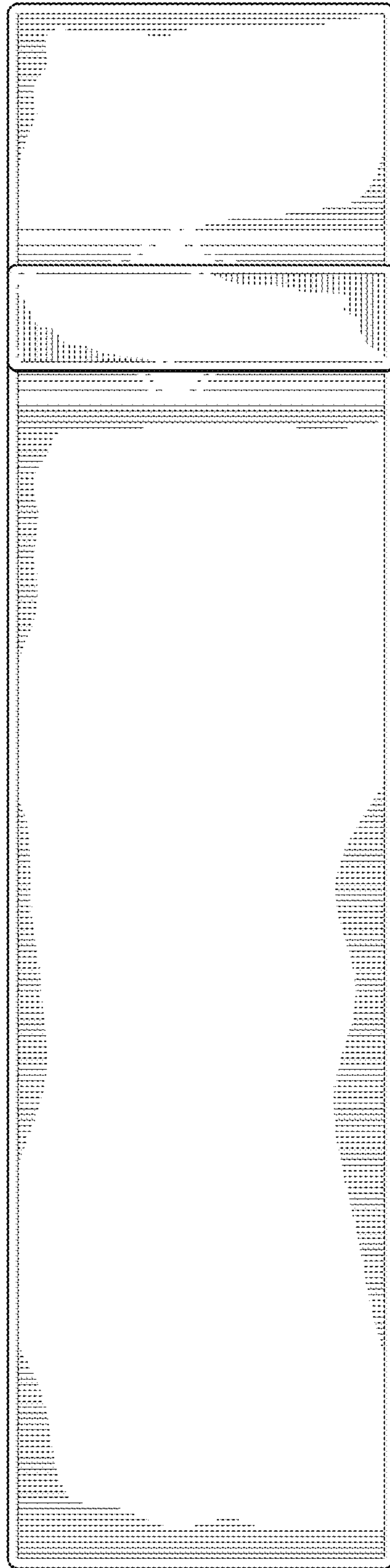


FIG. 4

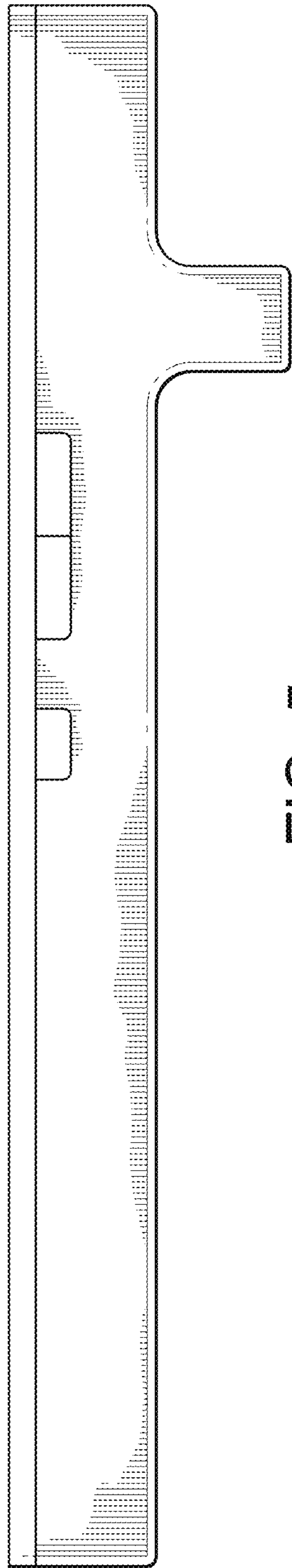


FIG. 5

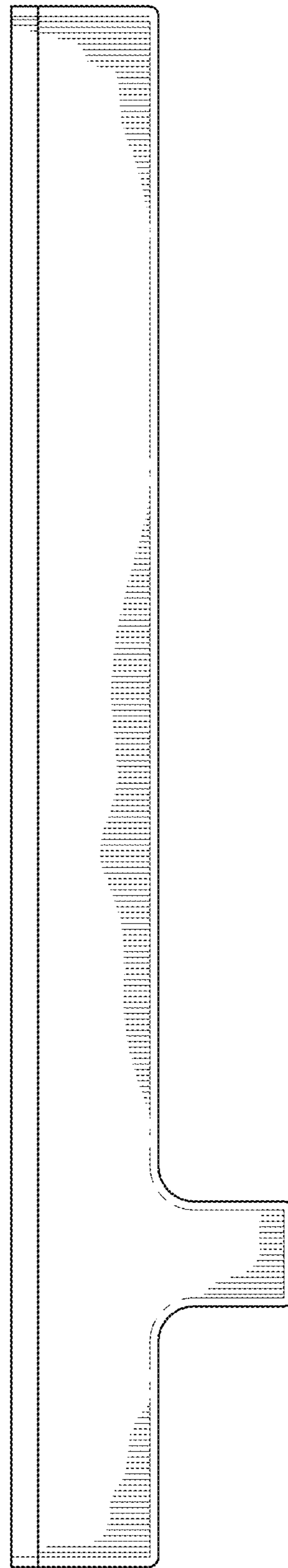


FIG. 6

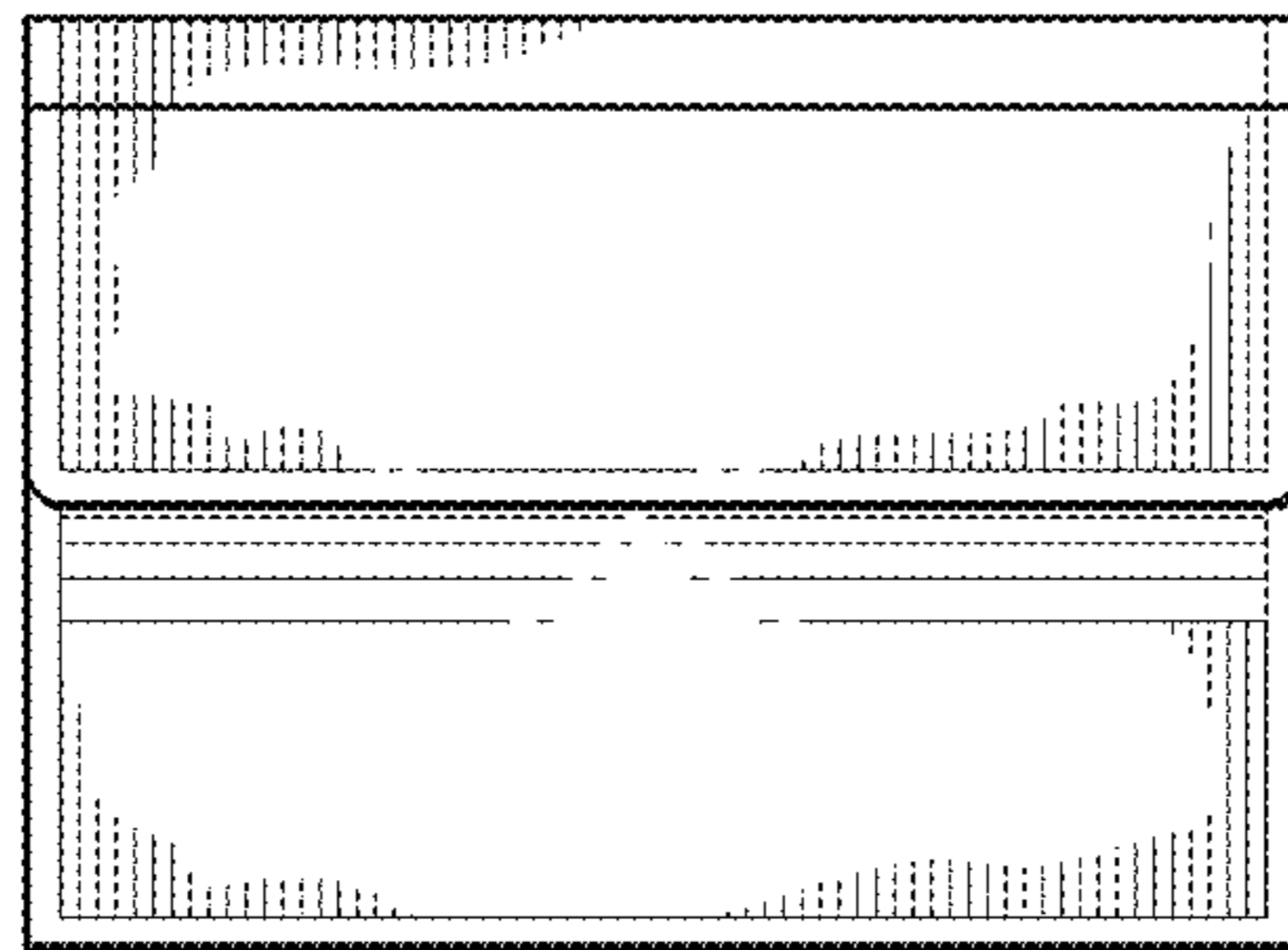


FIG. 7

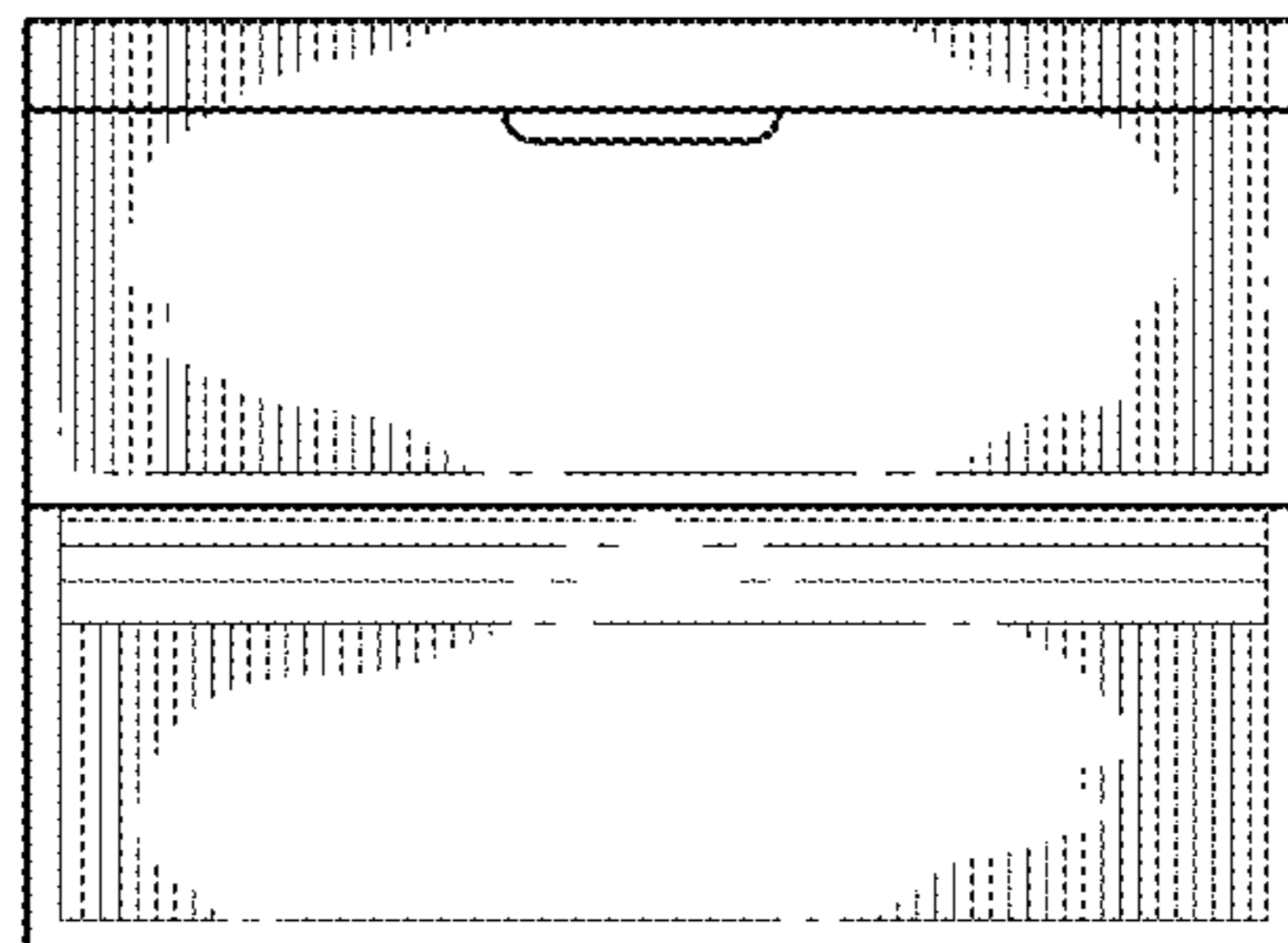


FIG. 8