



US00D796482S

(12) **United States Design Patent**  
**Zheng et al.**

(10) **Patent No.:** **US D796,482 S**  
(45) **Date of Patent:** **\*\* Sep. 5, 2017**

- (54) **GIMBAL WITH HANDLE**
- (71) Applicant: **SZ DJI Osmo Technology Co., Ltd.**,  
Shenzhen (CN)
- (72) Inventors: **Haibin Zheng**, Shenzhen (CN); **Min Kim**, Shenzhen (CN)
- (73) Assignee: **SZ DJI Osmo Technology Co., Ltd.**,  
Shenzhen (CN)

6,366,672 B1 4/2002 Tsay  
 6,923,686 B1 8/2005 Cheng  
 7,158,092 B2 1/2007 Shen  
 (Continued)

**FOREIGN PATENT DOCUMENTS**

CN 303127592 S 3/2015  
 CN 303320443 S 8/2015  
 (Continued)

- (\*\*) Term: **15 Years**
- (21) Appl. No.: **29/602,667**
- (22) Filed: **May 2, 2017**

**OTHER PUBLICATIONS**

DJI Osmo Handheld 4K Camera. [online] Published date Sep. 20, 2016. Retrieved on Jun. 19, 2017 from <URL: [https://www.amazon.ca/DJI-Handheld-Camera-3-Axis-Starters/dp/B01LYK5634/ref=sr\\_1\\_fkmr0\\_1?s=electronics&ie=UTF8&qid=1497890103&sr=1-1-fkmr0&keywords=DJI+CP.ZM.000425+Handheld](https://www.amazon.ca/DJI-Handheld-Camera-3-Axis-Starters/dp/B01LYK5634/ref=sr_1_fkmr0_1?s=electronics&ie=UTF8&qid=1497890103&sr=1-1-fkmr0&keywords=DJI+CP.ZM.000425+Handheld)>.\*

(Continued)

**Related U.S. Application Data**

- (63) Continuation of application No. 29/601,445, filed on Apr. 21, 2017, which is a continuation of application No. 29/566,534, filed on May 31, 2016.
- (51) **LOC (10) Cl.** ..... **14-01**
- (52) **U.S. Cl.**  
USPC ..... **D14/217; D16/243**
- (58) **Field of Classification Search**  
USPC ..... D14/217, 229, 250–253, 434; D16/200, D16/204, 208, 213, 235, 237–250; D8/363, 373, 394  
CPC ..... G03B 17/02–17/04; G03B 17/14; G03B 17/56; G03B 17/561–17/568; G03B 21/20; G02B 7/00–7/002  
See application file for complete search history.

*Primary Examiner* — Vy Koenig  
*Assistant Examiner* — Omeed Agilee  
 (74) *Attorney, Agent, or Firm* — Sterne, Kessler, Goldstein & Fox P.L.L.C.

(57) **CLAIM**

The ornamental design for a gimbal with handle, as shown and described.

**DESCRIPTION**

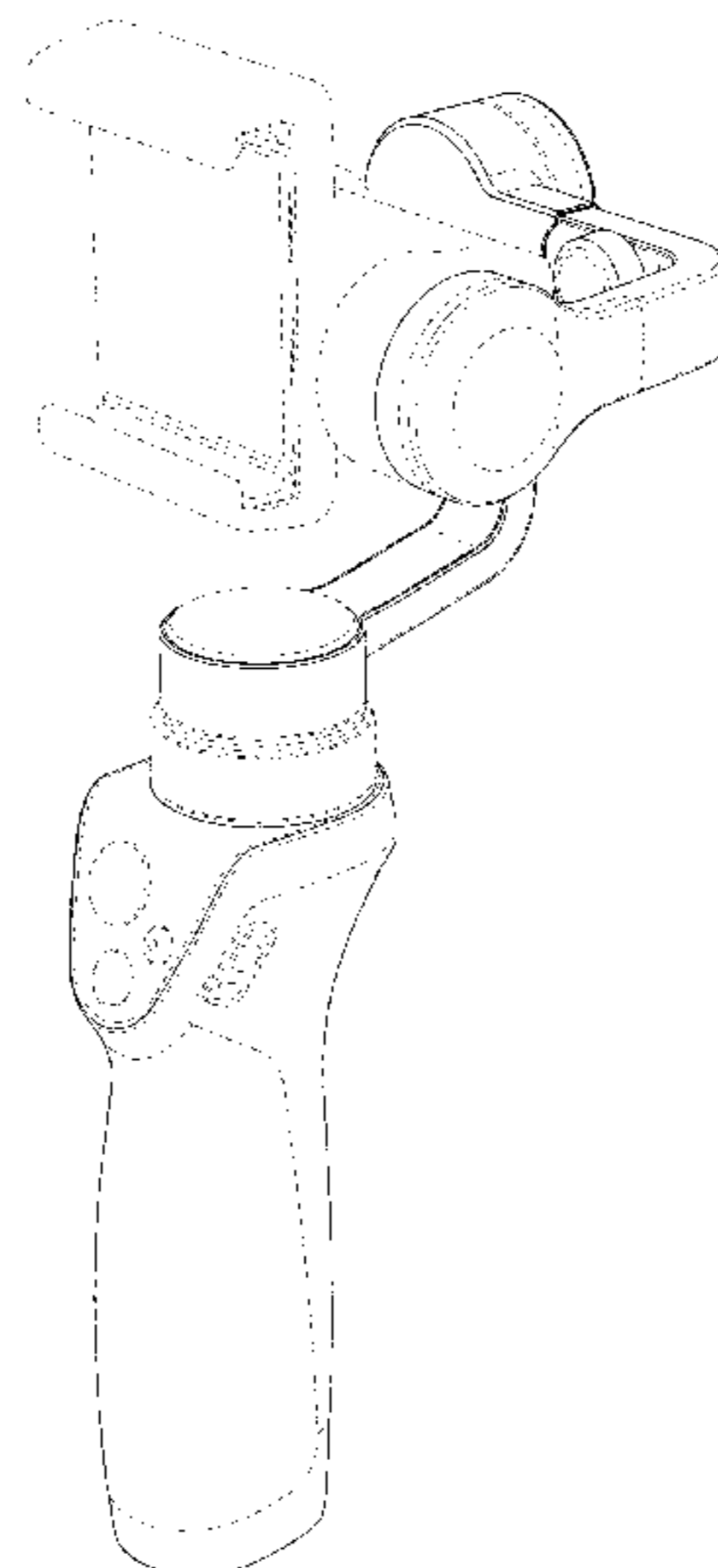
FIG. 1 is a top front perspective view of a gimbal with handle showing the claimed design;  
 FIG. 2 is a top rear perspective view thereof;  
 FIG. 3 is a front view thereof;  
 FIG. 4 is a rear view thereof;  
 FIG. 5 is a right side view thereof;  
 FIG. 6 is a left side view thereof;  
 FIG. 7 is a top view thereof; and,  
 FIG. 8 is a bottom view thereof.  
 The broken lines in the figures show portions of the gimbal with handle that form no part of the claimed design.

(56) **References Cited**

**U.S. PATENT DOCUMENTS**

3,810,647 A 5/1974 Martchenke  
 D276,621 S \* 12/1984 Hanke ..... D16/244  
 4,864,335 A 9/1989 Corrales  
 5,021,813 A 6/1991 Corrales  
 D320,995 S 10/1991 Fukuda et al.  
 D420,004 S \* 2/2000 Haney ..... D14/217

**1 Claim, 7 Drawing Sheets**



(56)

References Cited

U.S. PATENT DOCUMENTS

D580,474 S 11/2008 Lee et al.  
 D590,867 S 4/2009 Schenone et al.  
 D618,222 S \* 6/2010 Kallas ..... D14/229  
 D619,586 S 7/2010 Richter  
 D626,541 S 11/2010 Kim et al.  
 8,087,625 B2 1/2012 Chang  
 D670,284 S 11/2012 Choi  
 D678,387 S \* 3/2013 Stump ..... D16/244  
 D688,674 S \* 8/2013 Lau ..... D14/452  
 D690,707 S 10/2013 Minn et al.  
 D709,074 S 7/2014 Tsui et al.  
 8,780,263 B2 7/2014 Orf  
 D710,424 S \* 8/2014 Hallgren ..... D16/206  
 D715,790 S 10/2014 Conomos et al.  
 D715,791 S \* 10/2014 Yu ..... D14/253  
 D720,344 S 12/2014 Yu  
 8,915,660 B1 12/2014 Ben Yehuda et al.  
 D727,333 S 4/2015 Shih et al.  
 D730,429 S \* 5/2015 Anari ..... D16/237  
 D732,519 S 6/2015 Aspinall et al.  
 D733,115 S 6/2015 Aspinall et al.  
 9,203,946 B2 12/2015 Zajeski et al.  
 D747,399 S \* 1/2016 Stump ..... D16/243  
 D754,778 S \* 4/2016 Terashita ..... D16/242  
 D765,646 S 9/2016 Deng et al.  
 D765,651 S 9/2016 Liu et al.  
 D766,230 S 9/2016 Shepard  
 D768,125 S 10/2016 Kim  
 D769,235 S 10/2016 Li  
 D769,860 S 10/2016 Xiao  
 D777,720 S 1/2017 Russell  
 D779,579 S \* 2/2017 Anari, III ..... D16/242  
 D779,580 S \* 2/2017 Jia ..... D16/237  
 D780,245 S \* 2/2017 Ruback ..... D16/206  
 D780,743 S 3/2017 Chun  
 D780,825 S \* 3/2017 Kim ..... D10/103  
 D783,012 S 4/2017 Lee  
 D783,013 S 4/2017 Chun  
 D783,014 S \* 4/2017 Chun ..... D14/253  
 D783,592 S 4/2017 Ju  
 D784,997 S 4/2017 Cheng et al.  
 D785,073 S \* 4/2017 Wang ..... D16/242  
 D787,499 S \* 5/2017 Lee ..... D14/253  
 2005/0257352 A1 \* 11/2005 Carnevali ..... B60R 11/0241  
 24/523  
 2006/0285844 A1 12/2006 Hershenzon  
 2008/0242154 A1 10/2008 Dixon et al.  
 2009/0308993 A1 12/2009 Chang  
 2010/0237206 A1 9/2010 Barker  
 2014/0071339 A1 3/2014 Baker  
 2014/0176062 A1 6/2014 Jung  
 2015/0077630 A1 3/2015 Miller  
 2015/0090849 A1 4/2015 Breitweiser et al.  
 2015/0261070 A1 \* 9/2015 Feng ..... G03B 17/561  
 396/421  
 2015/0261075 A1 \* 9/2015 Overall ..... G03B 17/563  
 396/422  
 2015/0323856 A1 11/2015 Nordhaug  
 2015/0346590 A1 12/2015 Lewis  
 2016/0088748 A1 3/2016 Lin  
 2016/0288730 A1 10/2016 Lee et al.  
 2016/0309080 A1 \* 10/2016 Chu ..... H04N 5/23219

2016/0381271 A1 \* 12/2016 Cheng ..... F16M 11/041  
 348/208.2  
 2017/0037995 A1 \* 2/2017 Pan ..... F16M 11/18  
 2017/0146892 A1 \* 5/2017 Wei ..... G03B 17/561

FOREIGN PATENT DOCUMENTS

CN 303320450 S 8/2015  
 CN 303348679 S 8/2015  
 CN 303440091 S 11/2015  
 CN 303509498 S 12/2015  
 CN 303572923 S 1/2016  
 CN 303612732 S 3/2016  
 CN 201630082665 \* 3/2016  
 CN 303648342 S 4/2016  
 CN 201630247319 \* 6/2016  
 CN 303805800 8/2016  
 HU D1500140 \* 9/1915  
 JP D1141667 5/2002  
 JP D1208203 6/2004  
 JP D1420793 8/2011  
 JP D1453628 10/2012  
 KR 30-0790778 4/2015  
 KR 30-0792883 4/2015  
 KR 30-0818012 10/2015  
 KR 30-0831427 12/2015  
 KR 30-0873632 9/2016  
 KR 300873632 9/2016  
 KR 30-0879205 11/2016  
 KR 300879205 11/2016  
 KR 30-0884489 12/2016  
 KR 300884489 12/2016

OTHER PUBLICATIONS

Top 10 Best video stabilizers for iPhone in 2017. [online] Published date May 10, 2017. Retrieved on Jun. 19, 2017 from <URL:https://filmora.wondershare.com/video-editing-tips/best-video-stabilizers-for-iphone.html.\*  
<http://news.mynavi.jp/news/2015/01/19/177/>; dated Jan. 19, 2015.  
<http://news.mynavi.jp/photo/news/2015/01/19/177/images/0011.jpg>; dated Jan. 19, 2015.  
<http://news.mynavi.jp/photo/news/2015/01/19/177/images/0041.jpg>; dated Jan. 19, 2015.  
<http://news.mynavi.jp/photo/news/2015/01/19/177/images/0051.jpg>; dated Jan. 19, 2015.  
<http://news.mynavi.jp/photo/news/2015/01/19/177/images/0121.jpg>; dated Jan. 19, 2015.  
<http://k-tai.watch.impress.co.jp/docs/column/stapa/687357.html>; dated Feb. 9, 2015.  
 “Swiftcam M3 Auto-stabilizing Hand Held Holder Gimbal for Smartphone Mobile Phone,” ebay, <URL: <http://www.ebay.com/itm/Swiftcam-M3-Auto-stabilizing-Hand-Held-Holder-Gimbal-For-Smartphone-Mobile-Phone-/181421925183>>; date accessed: Apr. 25, 2017.  
 “WenPod SP2 Digital Stabilizer Gimbal Smart Phone Holder,” zapals, <URL: <https://www.zapals.com/wenpod-sp2-digital-stabilizer-gimbal-smart-phone-holder.html>>; date accessed: Apr. 25, 2017.  
 “Smartphone Mount Holder for Feiyu Tech G3 Ultra 2 / 3-Axis Steadycam Handheld Gimbal Stabilizer Phone Holder,” Bigup Gadgets, <URL: <http://bigupgadgets.com/smartphone-mount-holder-for-feiyu-tech-g3-ultra-2-3-axis-steadycam-handheld-gimbal-stabilizer-phone-holder.html>>, dated accessed: Apr. 25, 2017.

\* cited by examiner

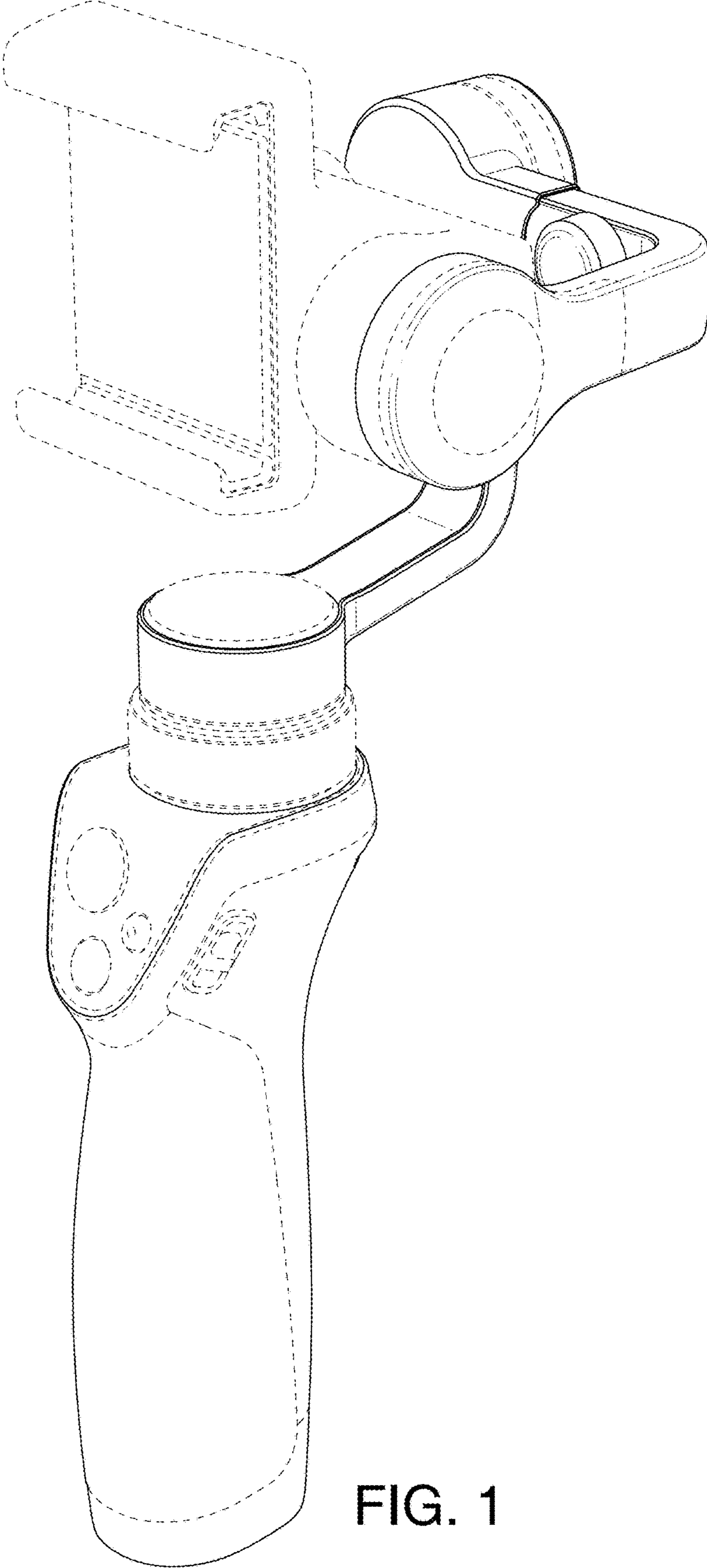


FIG. 1

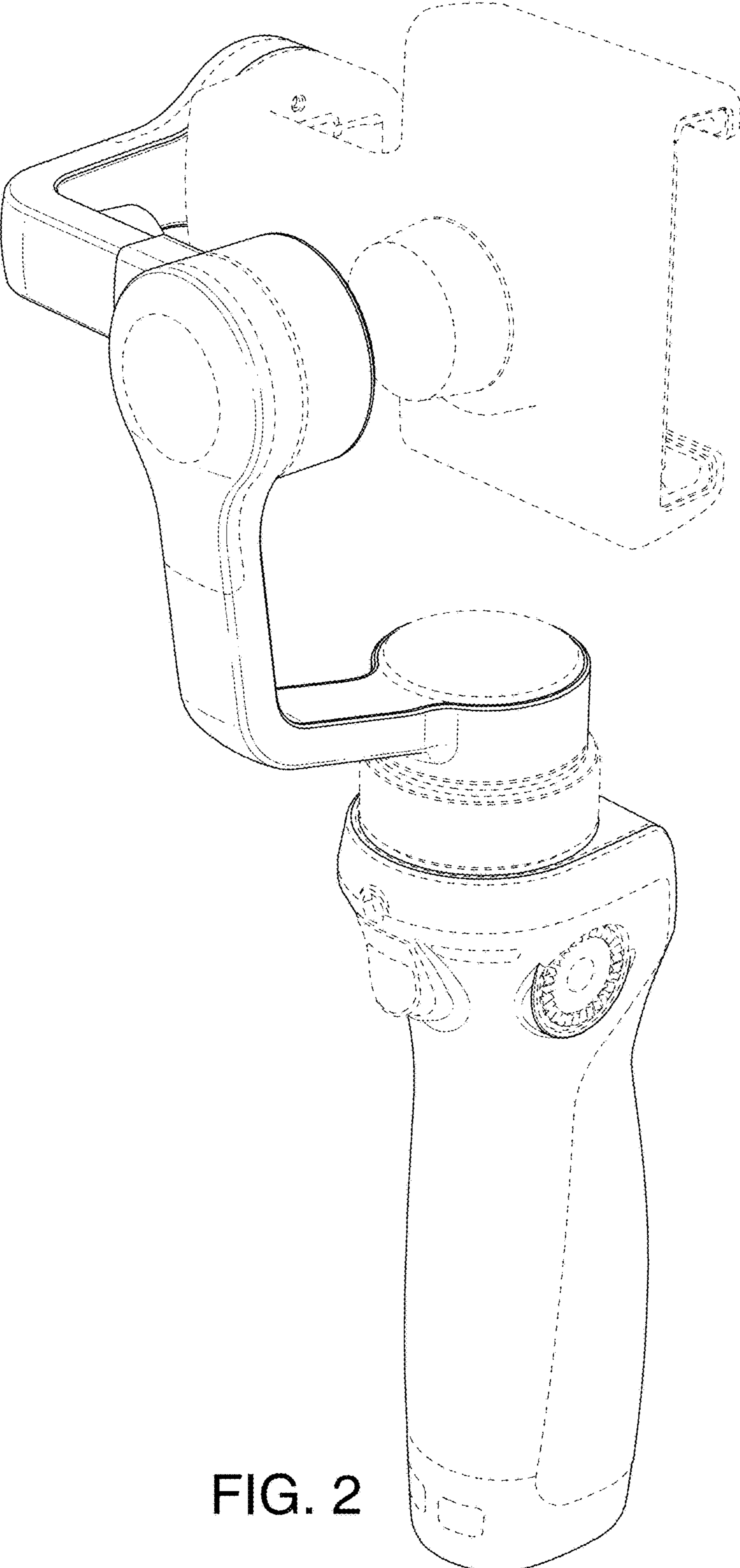


FIG. 2

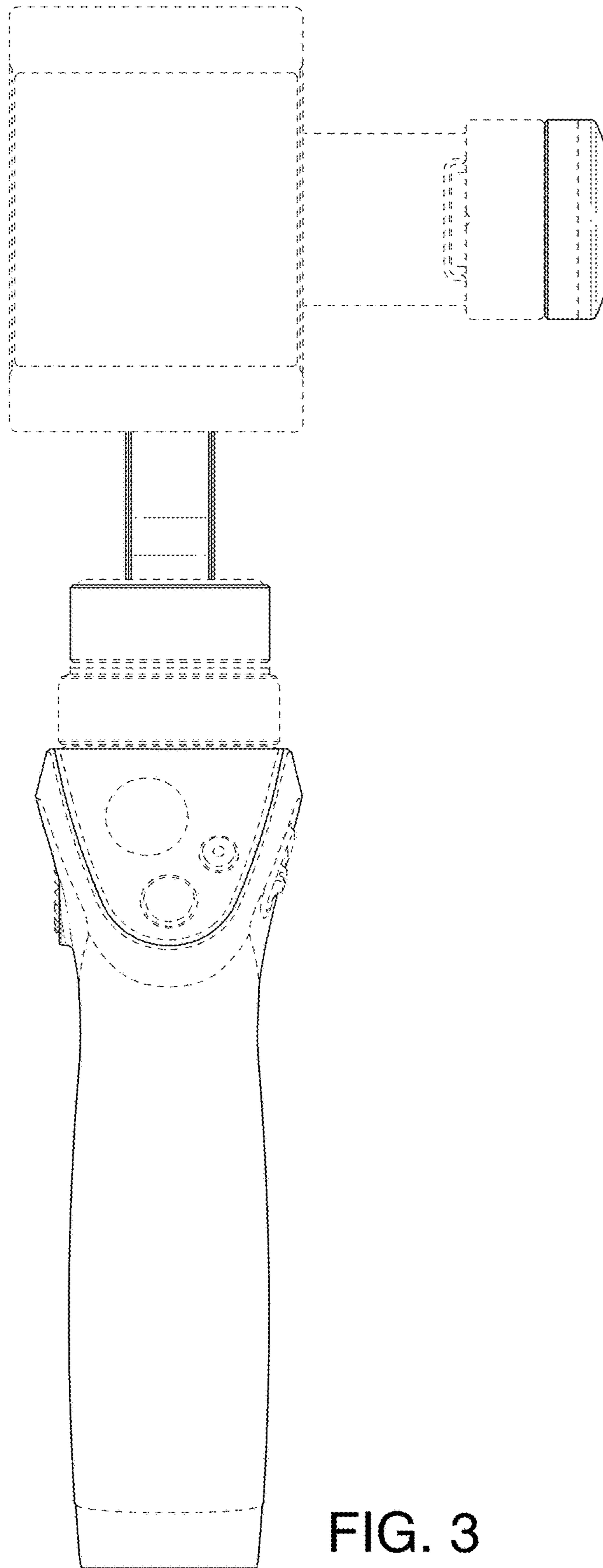


FIG. 3

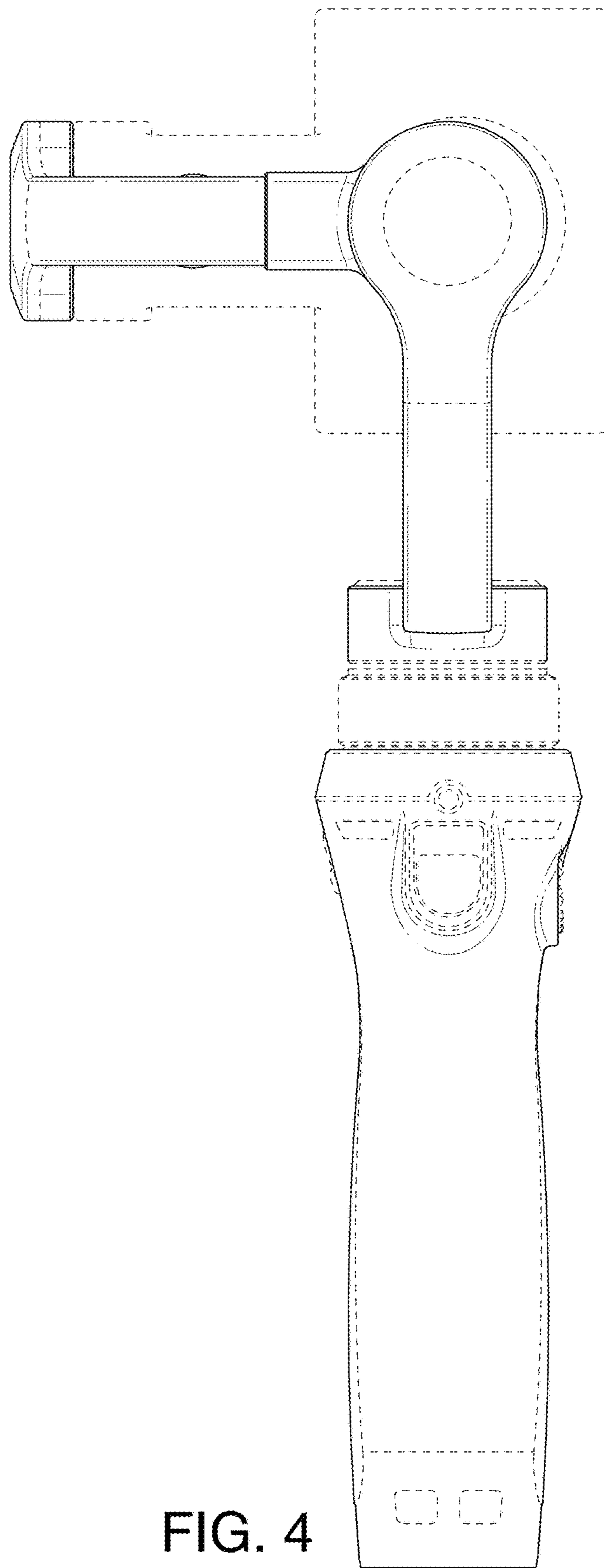


FIG. 4

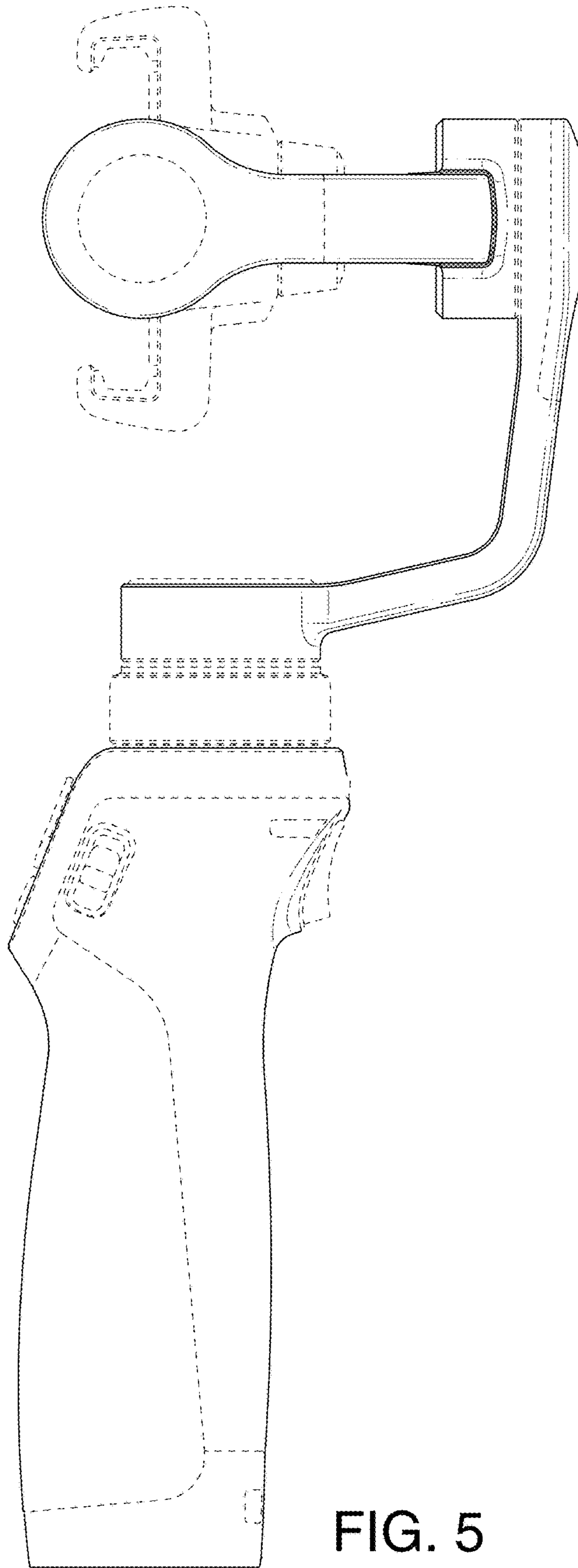


FIG. 5

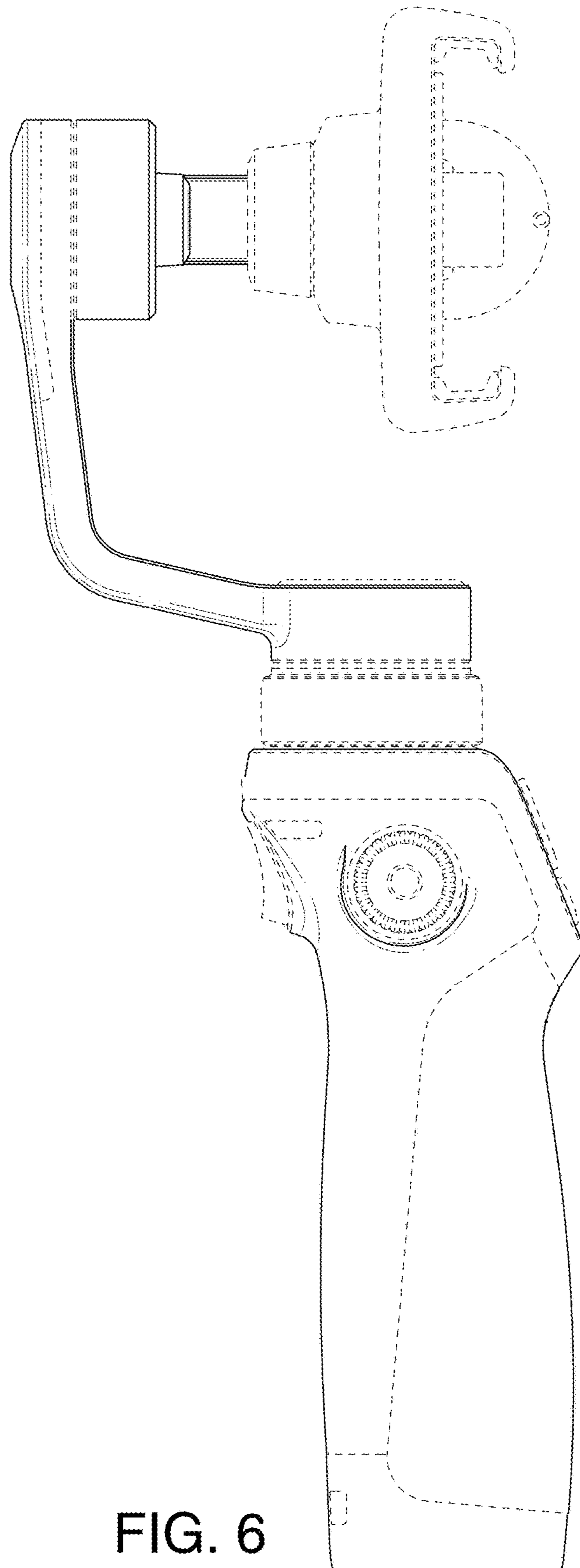


FIG. 6



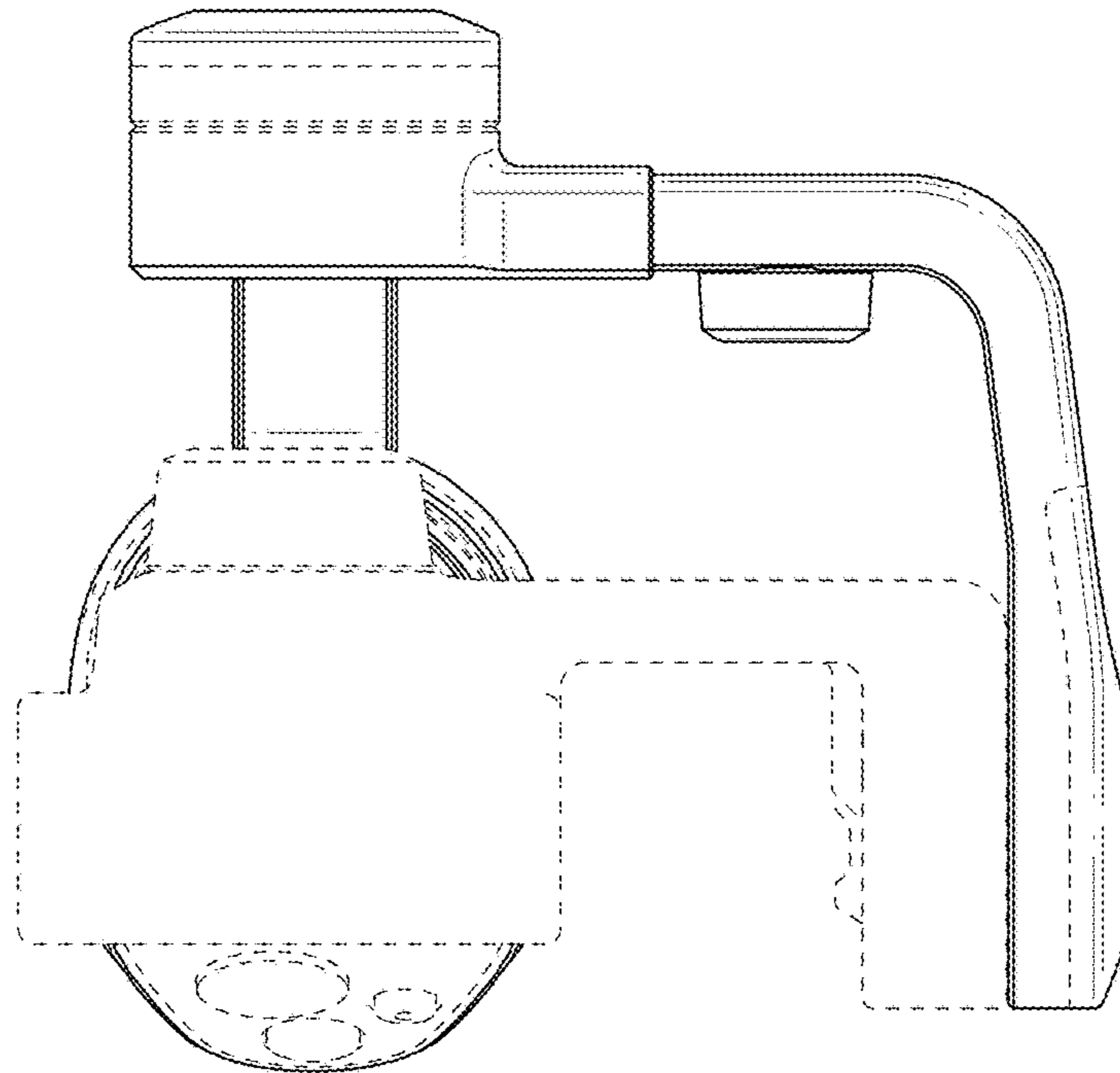


FIG. 7

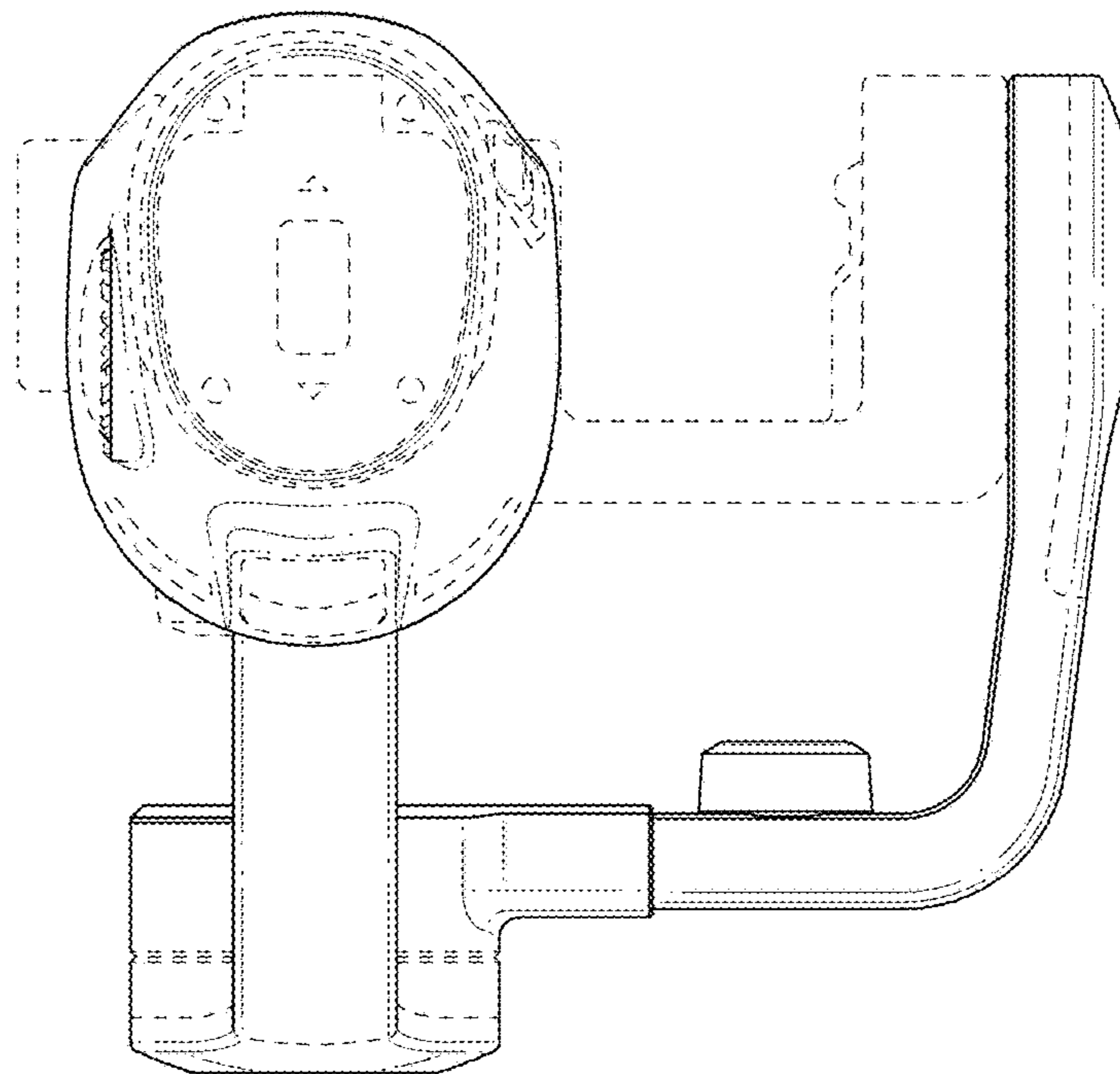


FIG. 8