



US00D796480S

(12) **United States Design Patent** (10) **Patent No.:** **US D796,480 S**
Sung et al. (45) **Date of Patent:** **** Sep. 5, 2017**

(54) **SPEAKER**

(71) Applicant: **LG ELECTRONICS INC.**, Seoul (KR)

(72) Inventors: **Yunhwan Sung**, Seoul (KR); **Gangho Woo**, Seoul (KR)

(73) Assignee: **LG ELECTRONICS INC.**, Seoul (KR)

(**) Term: **15 Years**

(21) Appl. No.: **29/551,593**

(22) Filed: **Jan. 14, 2016**

(30) **Foreign Application Priority Data**

Jul. 14, 2015 (KR) 30-2015-0035239

(51) **LOC (10) Cl.** **14-01**

(52) **U.S. Cl.**
USPC **D14/214**; D14/211

(58) **Field of Classification Search**
USPC D14/168, 188, 194, 195, 196, 204, 210, D14/211, 212, 213, 214, 215, 216
CPC B60R 11/0217; G06F 1/1688; G10K 9/22; G10K 11/004; H03F 1/327; H04M 1/03; H04M 1/035; H04N 5/642; H04N 21/4852; H04S 3/00; H04S 7/30; H04R 1/02; H04R 1/06; H04R 1/021; H04R 1/025; H04R 1/026; H04R 1/028; H04R 1/105; H04R 1/323; H04R 1/403; H04R 1/2803; H04R 1/2834; H04R 5/02; H04R 7/20; H04R 9/06; H04R 9/025; H04R 2201/021; H04R 2400/00; H04R 2400/07; H04R 2499/11; H04R 2499/13; H04R 2499/15

See application file for complete search history.

(56) **References Cited**

U.S. PATENT DOCUMENTS

D89,533 S *	3/1933	Oehlsen	D14/194
D197,130 S *	12/1963	Wann	D14/210
D230,865 S *	3/1974	Wright et al.	D14/214
D352,507 S *	11/1994	Price	D14/215
D461,463 S *	8/2002	Oikawa	D14/211
D542,270 S *	5/2007	Jenkins	D14/214
D578,108 S *	10/2008	Shih	D14/214
D720,334 S *	12/2014	Wang	D14/204
D720,722 S *	1/2015	Lee	D14/210
D740,788 S *	10/2015	Kim	D14/214
D760,695 S *	7/2016	Kwon	D14/214
D769,213 S *	10/2016	McManigal	D14/204

OTHER PUBLICATIONS

Australian Review: LG Music Flow, announced Dec. 1, 2014 [online], [site visited Feb. 17, 2017]. Available from internet, URL: <<http://www.cybershack.com.au/review/australian-review-lg-music-flow-multi-room-audio-i-can-go-flow>>.*

(Continued)

Primary Examiner — Keli L Hill

Assistant Examiner — Karra S Johnson

(74) *Attorney, Agent, or Firm* — Birch, Stewart, Kolasch & Birch, LLP

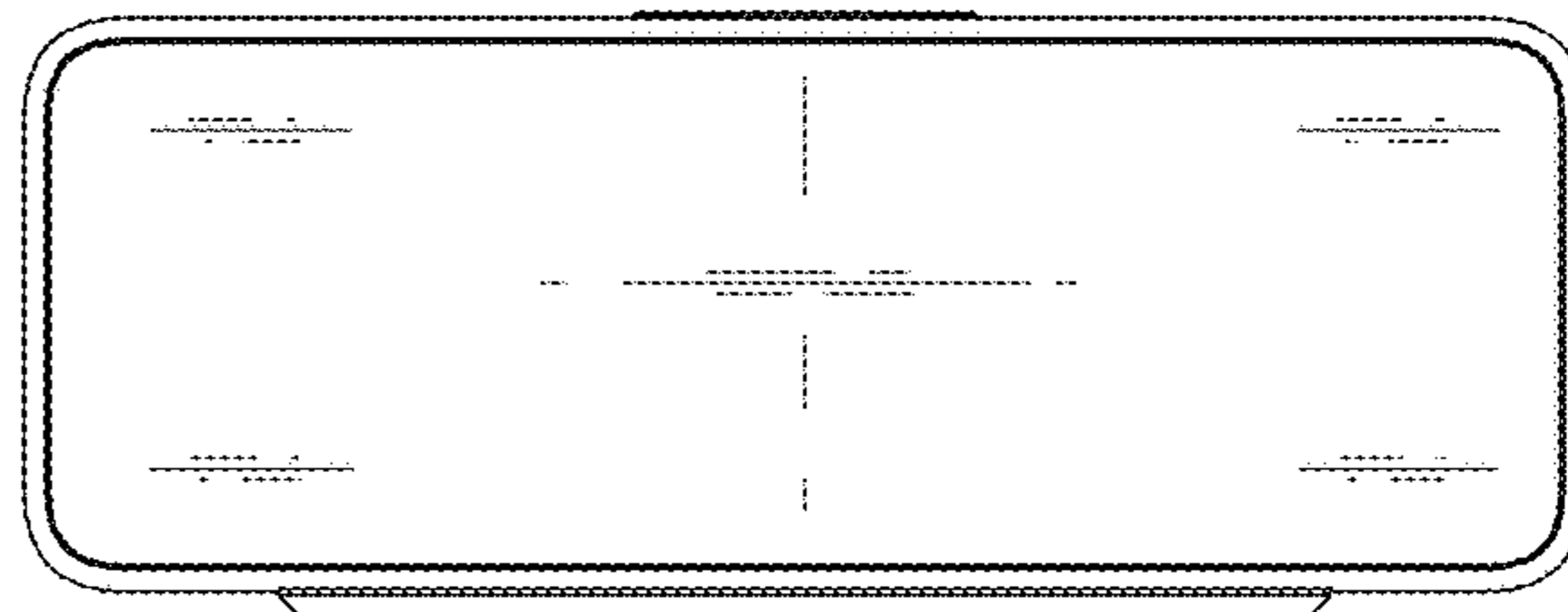
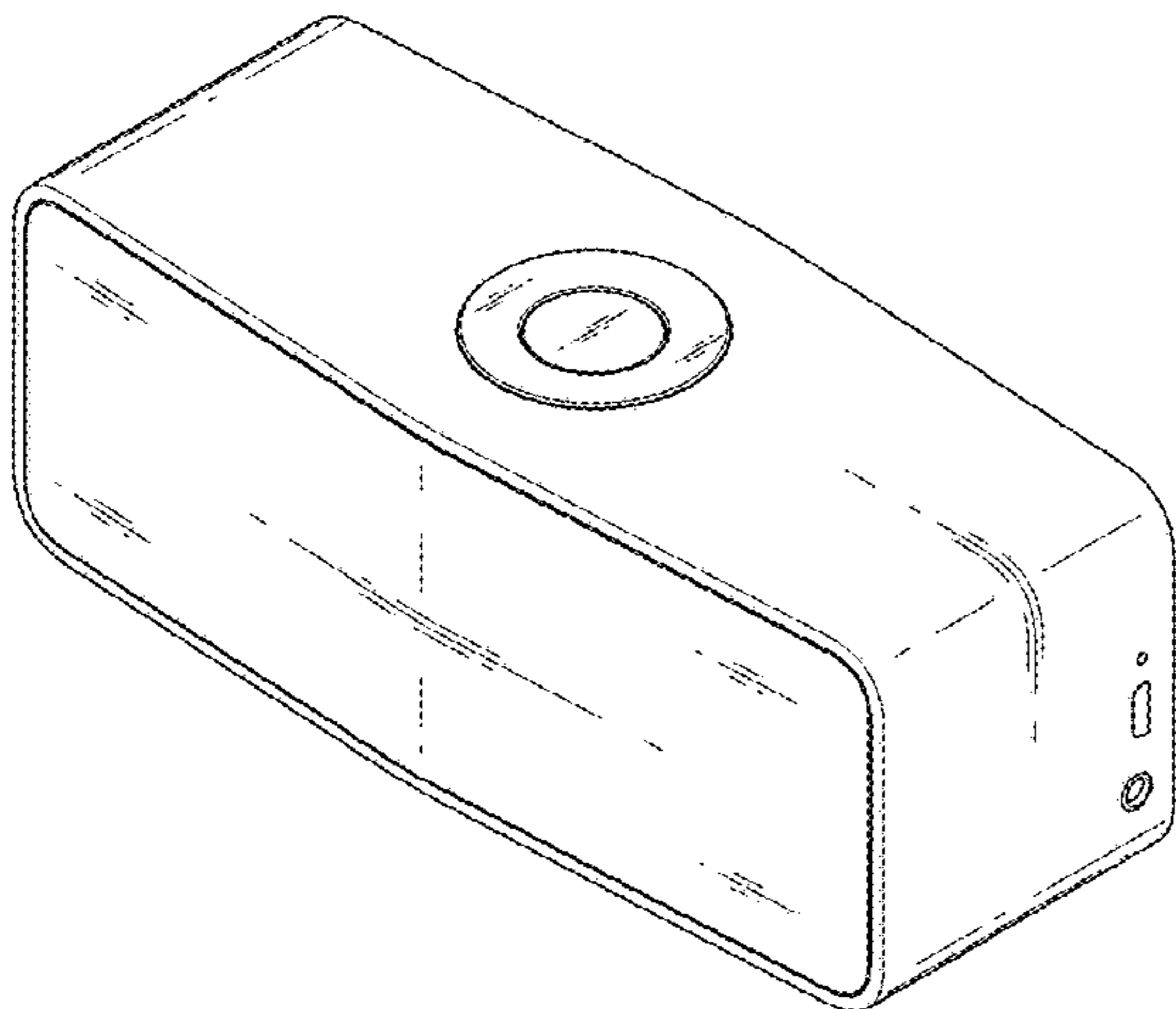
(57) **CLAIM**

The ornamental design for a speaker, as shown and described.

DESCRIPTION

FIG. 1 is a front, right side, perspective view of a speaker showing our new design;
FIG. 2 is a front view thereof;
FIG. 3 is a rear view thereof;
FIG. 4 is a left side view thereof;
FIG. 5 is a right side view thereof;
FIG. 6 is a top view thereof; and,
FIG. 7 is a bottom view thereof.

1 Claim, 6 Drawing Sheets



(56)

References Cited

OTHER PUBLICATIONS

LG Music Flow P7 Review, announced Nov. 25, 2015 [online], [site visited Feb. 17, 2017]. Available from internet, URL: <<https://www.youtube.com/watch?v=dwpHt2K-eJA>>.*

LG introduces Music Flow P7, announced Mar. 9, 2015 [online], [site visited Feb. 17, 2017]. Available from internet, URL: <<http://www.fonearena.com/blog/134311/lg-introduces-music-flow-p7-portable-bluetooth-speaker.html>>.*

* cited by examiner

FIG. 1

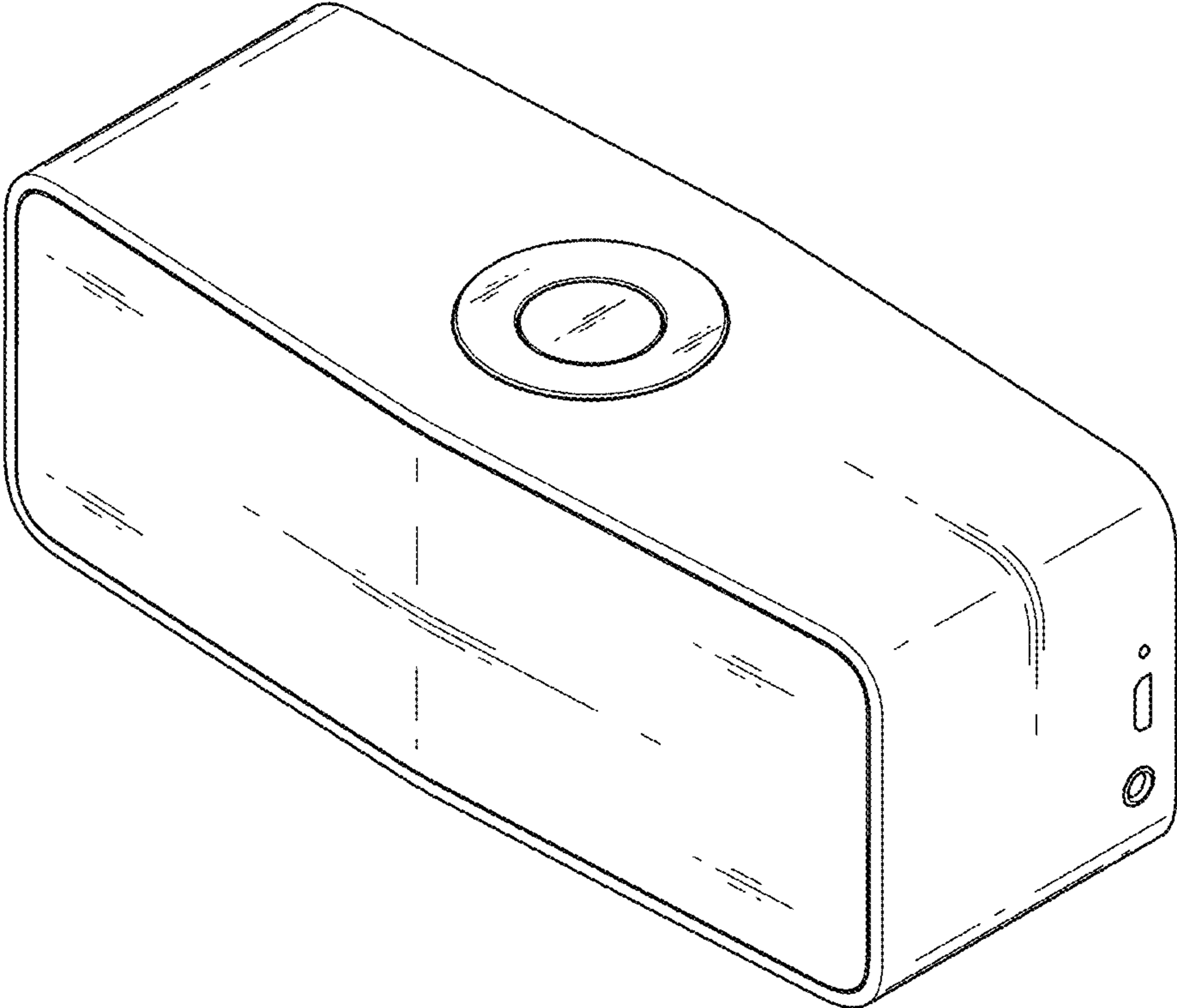


FIG. 2

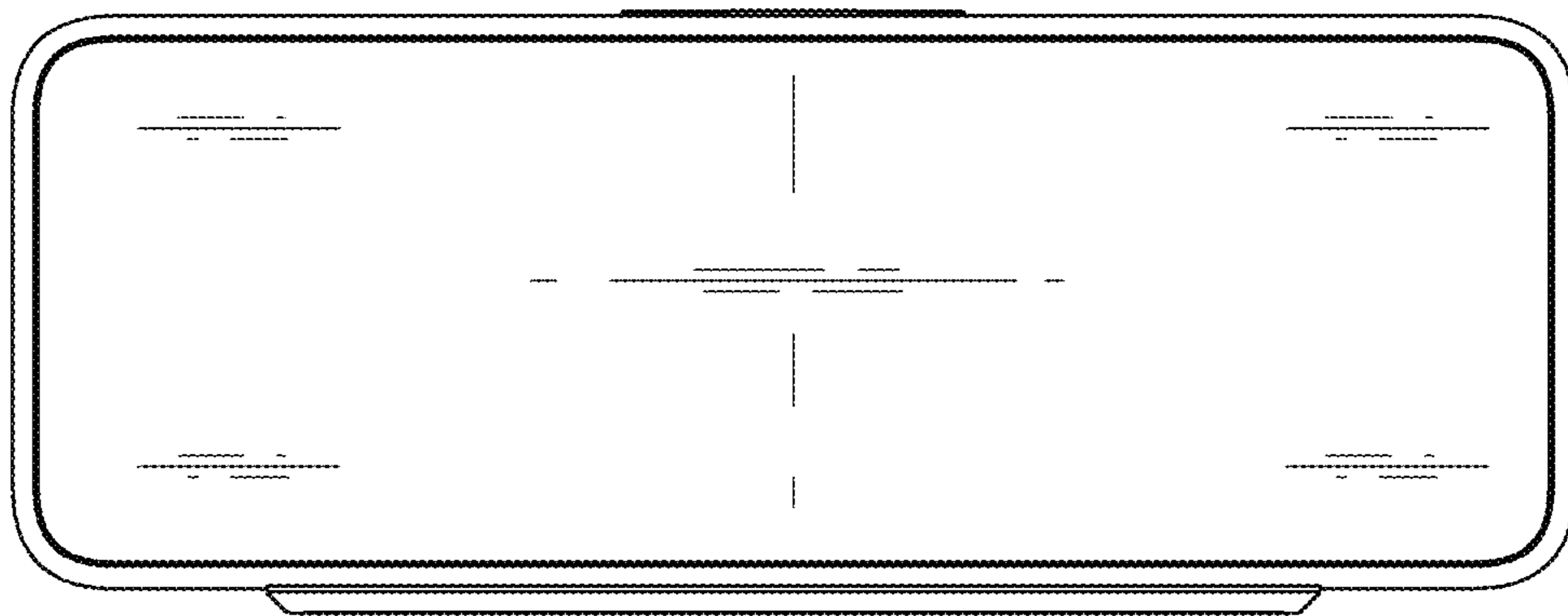


FIG. 3

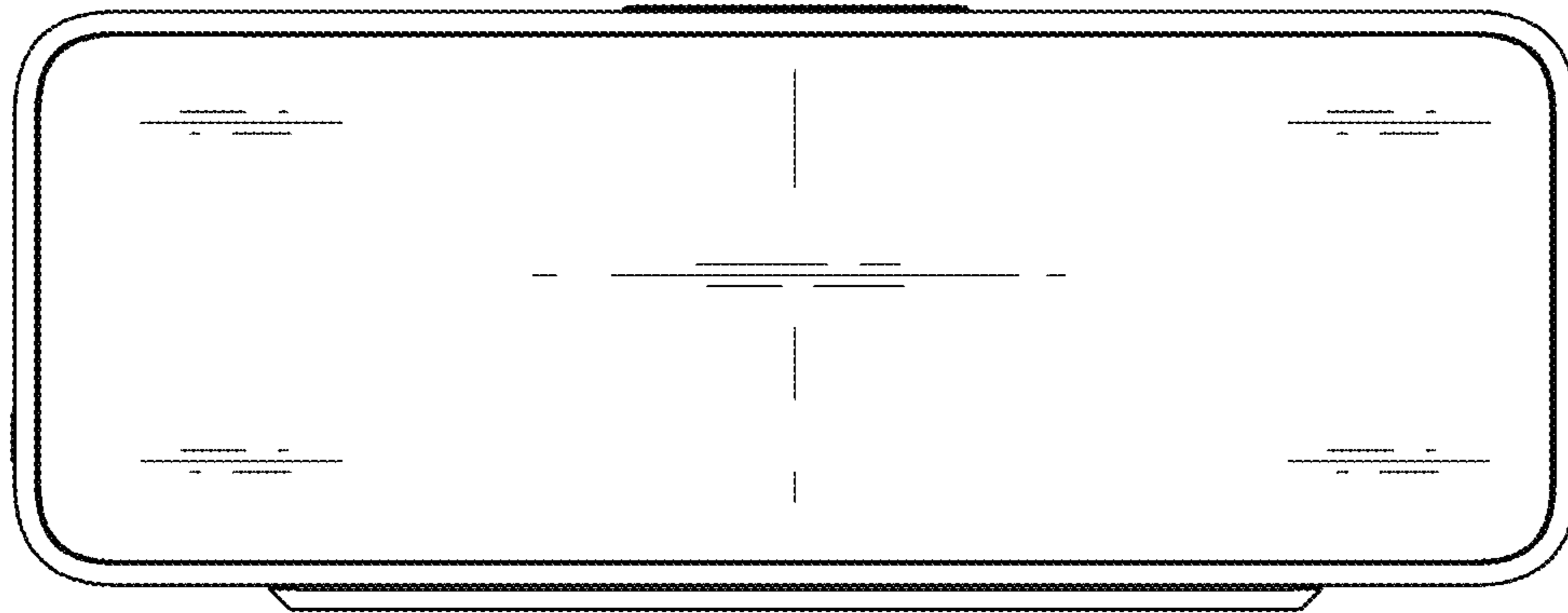


FIG. 4

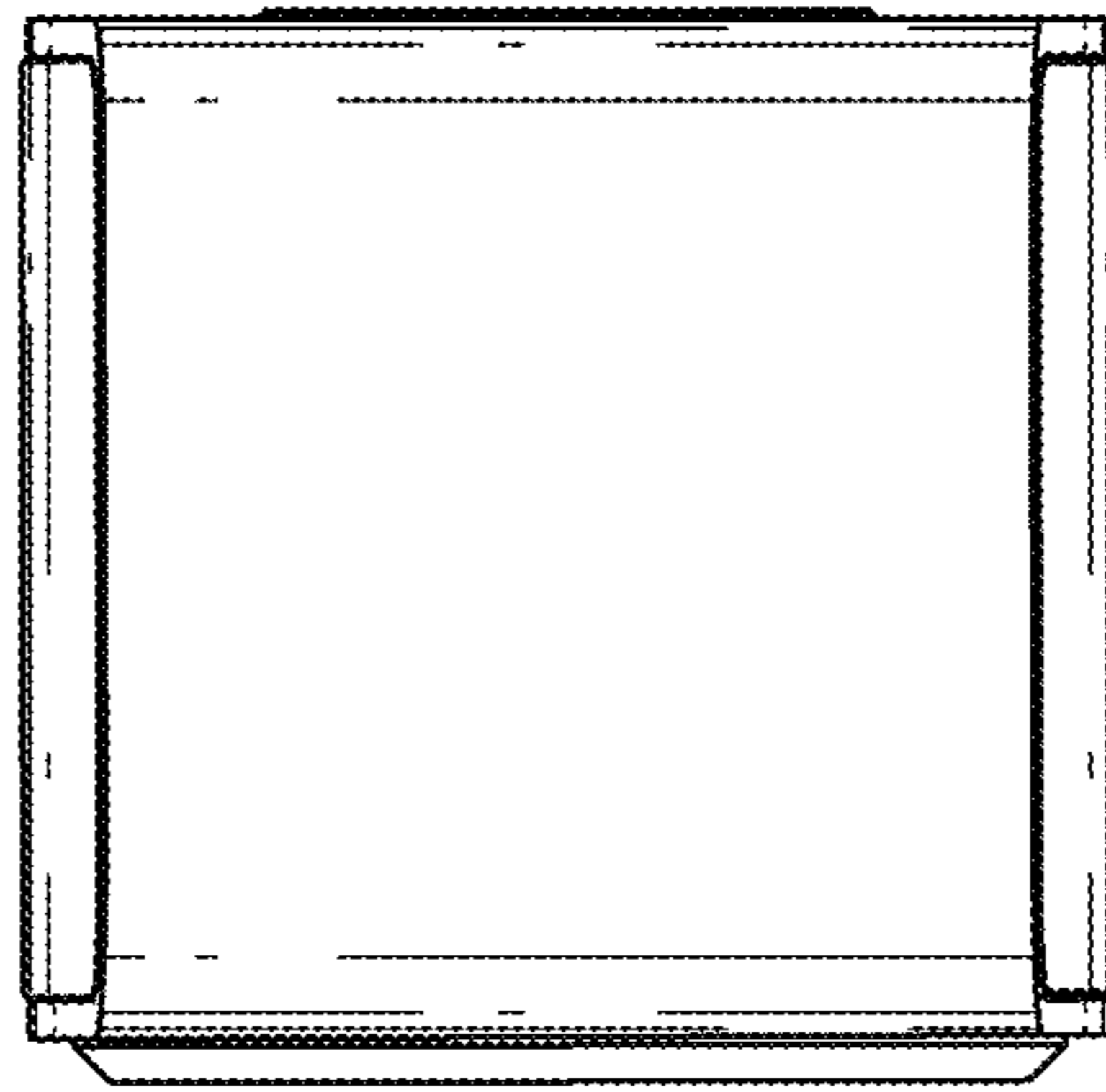


FIG. 5

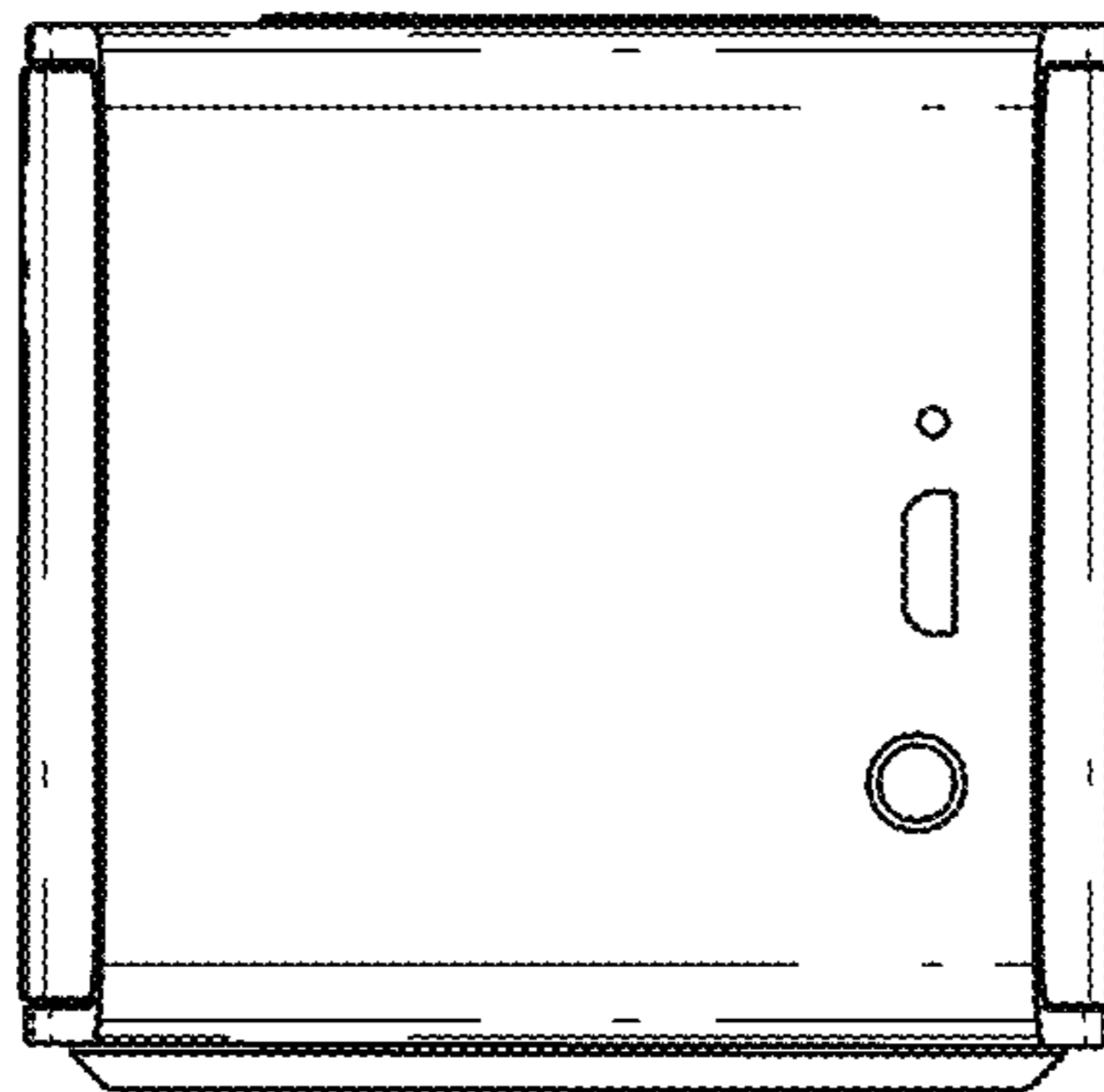


FIG. 6

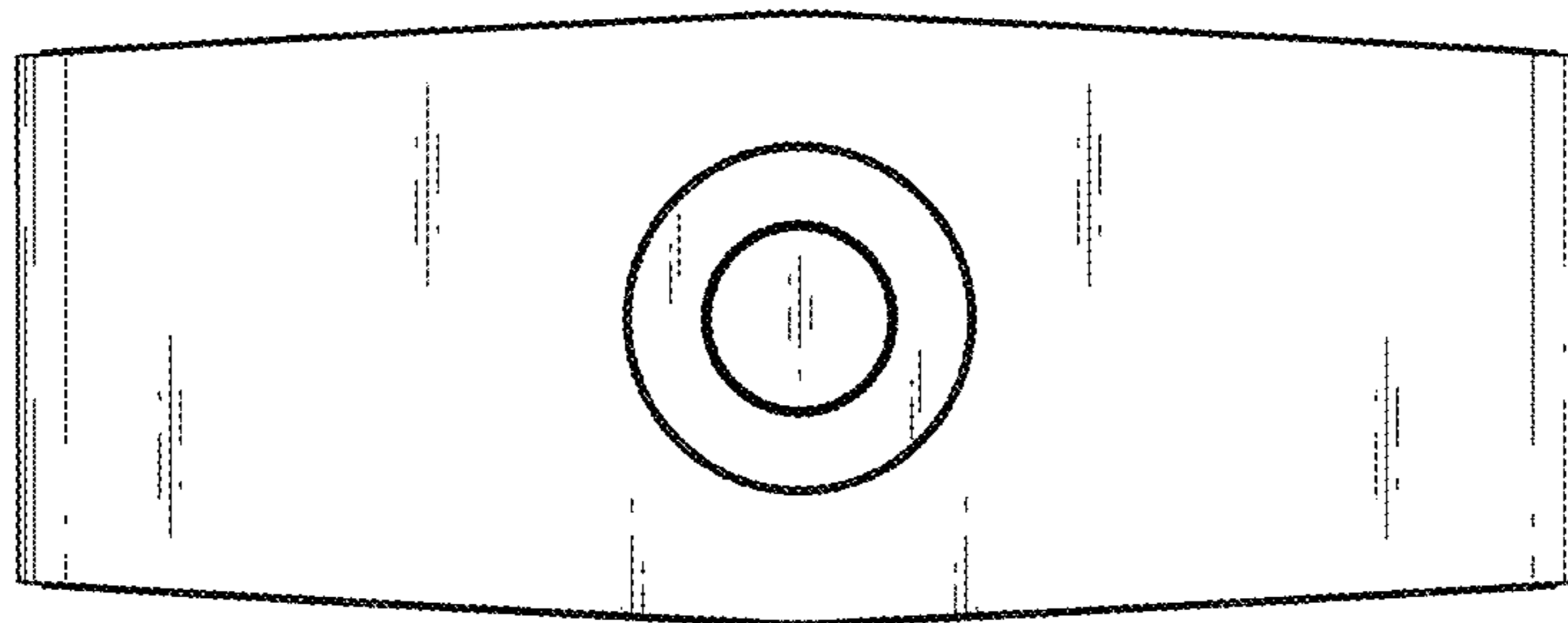


FIG. 7

