



US00D796478S

(12) **United States Design Patent**
Minn et al.

(10) **Patent No.:** **US D796,478 S**
(45) **Date of Patent:** **** Sep. 5, 2017**

- (54) **HEADPHONE**
- (71) Applicant: **Kenu, Inc.**, San Francisco, CA (US)
- (72) Inventors: **Kenneth Y. Minn**, San Francisco, CA (US); **David E. Yao**, San Francisco, CA (US); **Leonard John Duran**, Mill Valley, CA (US)
- (73) Assignee: **KENU, INC.**, San Francisco, CA (US)
- (**) Term: **15 Years**
- (21) Appl. No.: **29/564,829**
- (22) Filed: **May 16, 2016**
- (51) **LOC (10) Cl.** **14-01**
- (52) **U.S. Cl.**
USPC **D14/205**
- (58) **Field of Classification Search**
USPC D14/205, 206; D29/112; 2/209;
181/129, 130, 135; 379/430, 431;
381/74, 370, 378, 380, 381, 358, 374,
381/379
CPC H04R 1/1066; H04R 1/1016; H04R 25/00;
H04R 1/10; H04R 5/0335; H04R 5/033
See application file for complete search history.

- 4,597,469 A * 7/1986 Nagashima H04R 5/0335
181/129
- 4,689,822 A * 8/1987 Houng H04R 1/1066
381/371
- D292,205 S * 10/1987 Kikutani 381/378
- D300,133 S * 3/1989 Daidoh D14/205
- 4,821,318 A * 4/1989 Wu H04M 1/05
379/430
- D317,767 S * 6/1991 Banks D14/205
- 5,369,857 A * 12/1994 Sacherman H04R 5/0335
29/594
- 6,449,806 B1 * 9/2002 Engelhard H04M 1/05
2/209
- 7,072,483 B2 * 7/2006 Lenhard-Backhaus
H04R 1/1066
381/370
- D534,155 S * 12/2006 Obata D14/205
- D582,890 S * 12/2008 Koza D14/205
- D603,371 S * 11/2009 Boateng D14/205

(Continued)

Primary Examiner — Paula Greene
(74) *Attorney, Agent, or Firm* — Vierra Magen Marcus
LLP

(57) **CLAIM**

The ornamental design for headphone, as shown and described.

DESCRIPTION

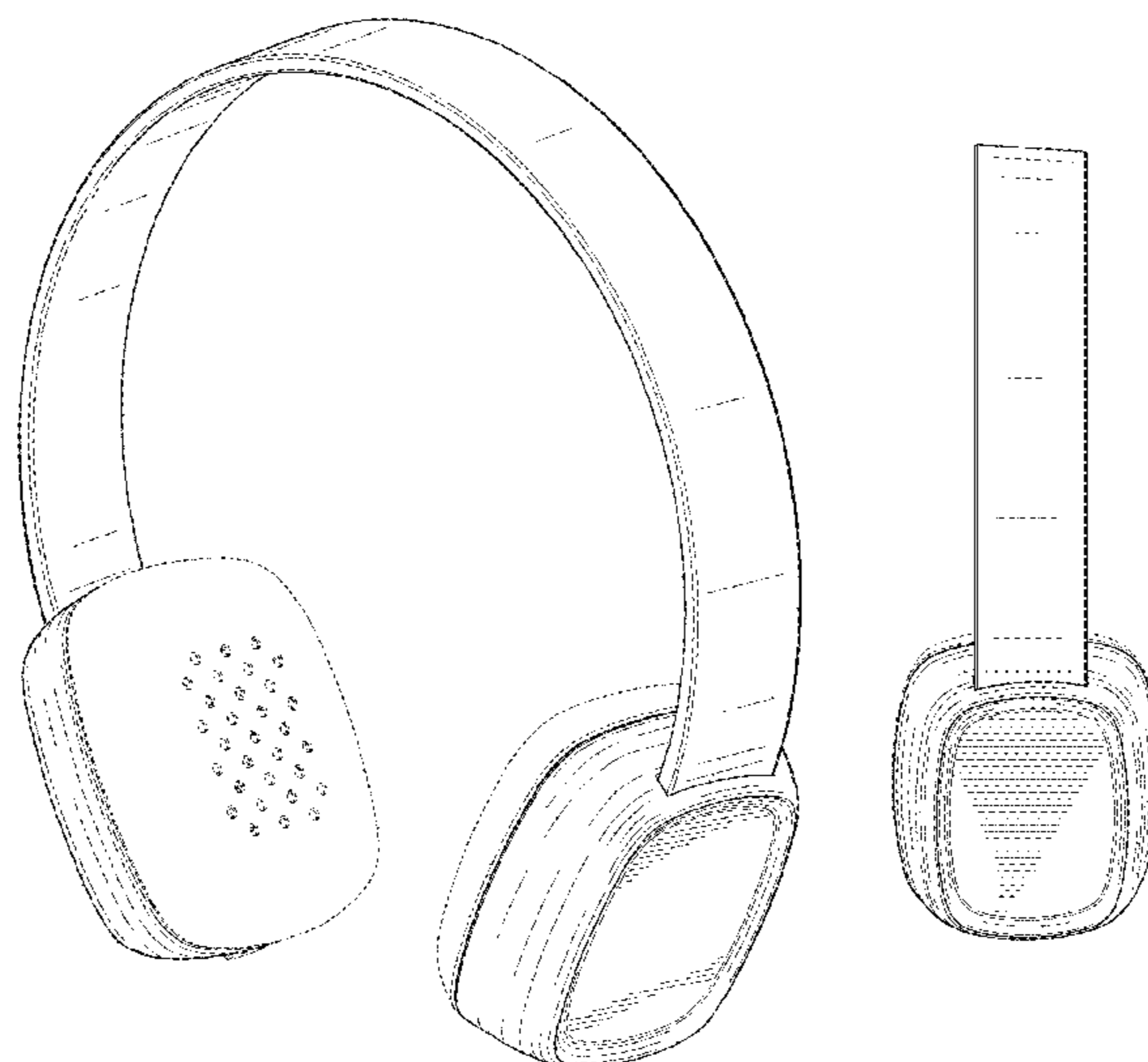
FIG. 1 is a perspective view of a new design for headphone; FIG. 2 is a front view thereof; FIG. 3 is a rear view thereof; FIG. 4 is a left side view thereof; FIG. 5 is a right side view thereof; FIG. 6 is a top view thereof; and, FIG. 7 is a bottom view thereof. The broken line portions of the headphone shown in FIGS. 1-7 represent unclaimed portions of the claimed design and form no part thereof.

1 Claim, 5 Drawing Sheets

(56) **References Cited**

U.S. PATENT DOCUMENTS

- 1,878,397 A * 9/1932 Hekler A45D 44/12
128/866
- 2,314,782 A * 3/1943 Goretsky A61F 11/06
2/209
- 3,562,816 A * 2/1971 Hutchinson A61F 11/14
2/209
- 3,579,640 A * 5/1971 Beguin A61F 11/14
2/209
- D222,361 S * 10/1971 Hart D14/205
- D235,210 S * 5/1975 Hill D14/205
- 4,499,593 A * 2/1985 Antle H04R 1/1033
381/309



(56)

References Cited

U.S. PATENT DOCUMENTS

D617,769	S *	6/2010	Birger	D14/205
D625,705	S *	10/2010	Ohori	D14/205
D632,668	S *	2/2011	Brunner	D14/205
D633,471	S *	3/2011	Sugiyama	D14/205
D634,298	S *	3/2011	Shimizu	D14/205
D641,725	S *	7/2011	Chong	D14/205
8,006,320	B1 *	8/2011	Rohbani	A61F 11/12 128/866
D654,472	S *	2/2012	Fischer	D14/206
D657,346	S *	4/2012	Park	D14/205
D662,080	S *	6/2012	Carr	D14/205
D664,116	S *	7/2012	Hutchieson	D14/205
D664,118	S *	7/2012	Tappeiner	D14/205
D666,579	S *	9/2012	Hou	D14/205
D675,595	S *	2/2013	Cho	D14/205
D678,860	S *	3/2013	Hagelin	D14/205
D683,329	S *	5/2013	Hagelin	D14/205
D685,759	S *	7/2013	Kelly	D14/205
D688,648	S *	8/2013	Li	D14/205
D697,048	S *	1/2014	Pavitsich	D14/205
D699,702	S *	2/2014	Chen	D14/205
D701,193	S *	3/2014	Kelly	D14/205
8,755,555	B2 *	6/2014	Dougherty	H04R 1/1066 381/370
D708,163	S *	7/2014	Ishikura	D14/205
8,767,996	B1 *	7/2014	Lin	H04R 1/1091 381/370
D721,052	S *	1/2015	Carr	D14/205
D743,369	S *	11/2015	Mackiewicz	D14/205
D763,226	S *	8/2016	Petersen	D14/205
D787,469	S *	5/2017	Djohar	D14/205
D787,470	S *	5/2017	Kelly	D14/205
2016/0198250	A1 *	7/2016	Pan	H04R 1/1041 381/74

* cited by examiner



FIG. 1

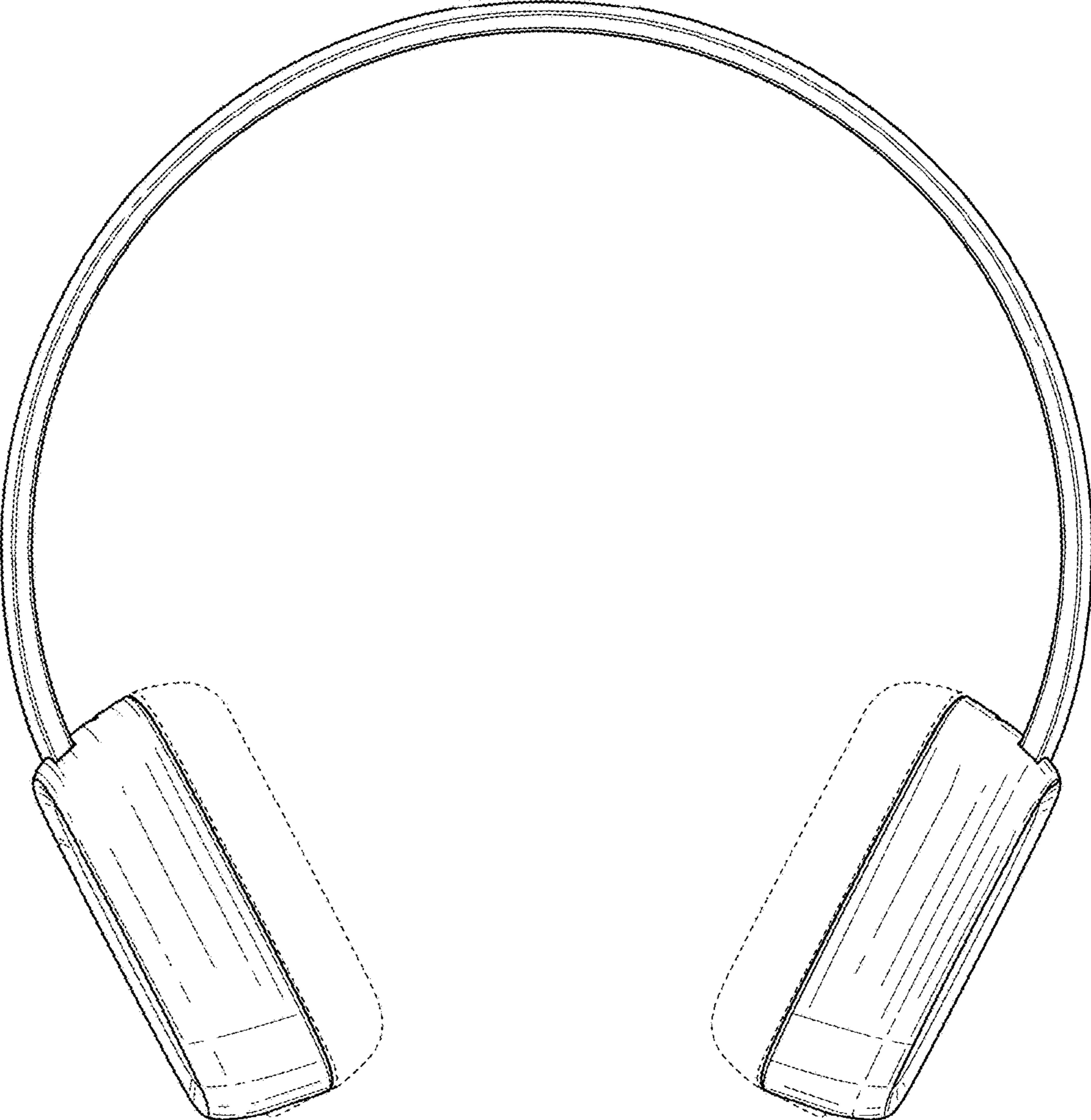


FIG. 2



FIG. 3

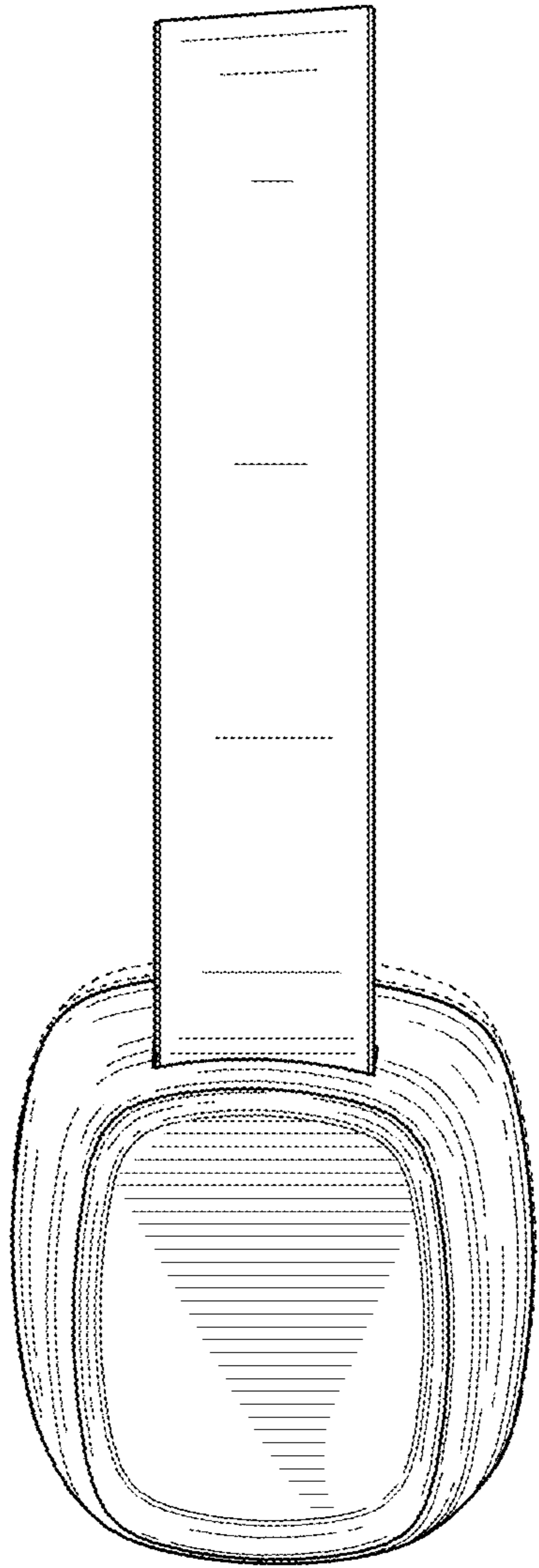


FIG. 4

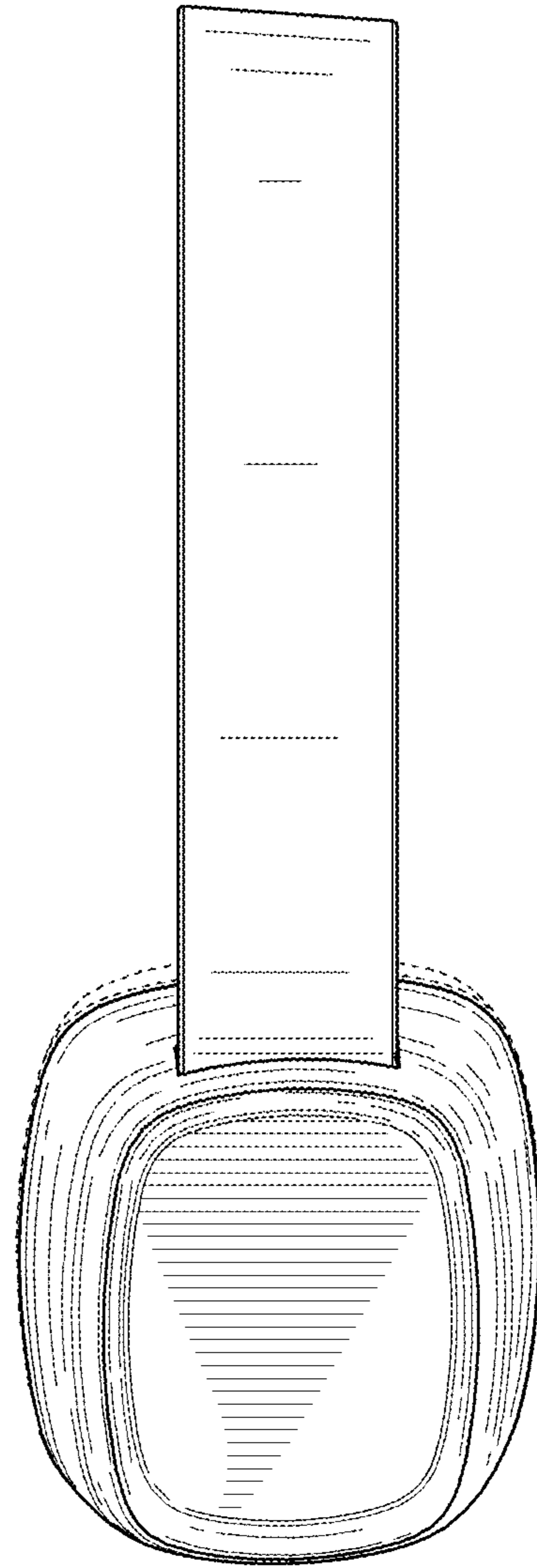


FIG. 5

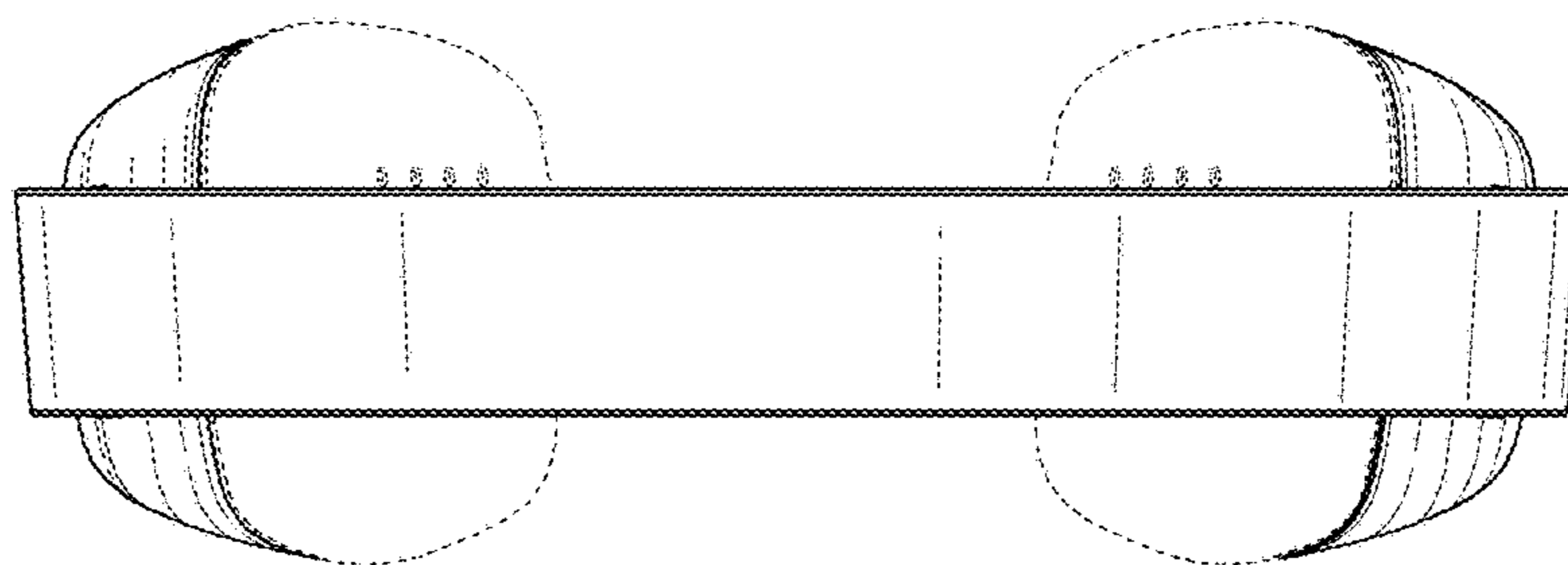


FIG. 6

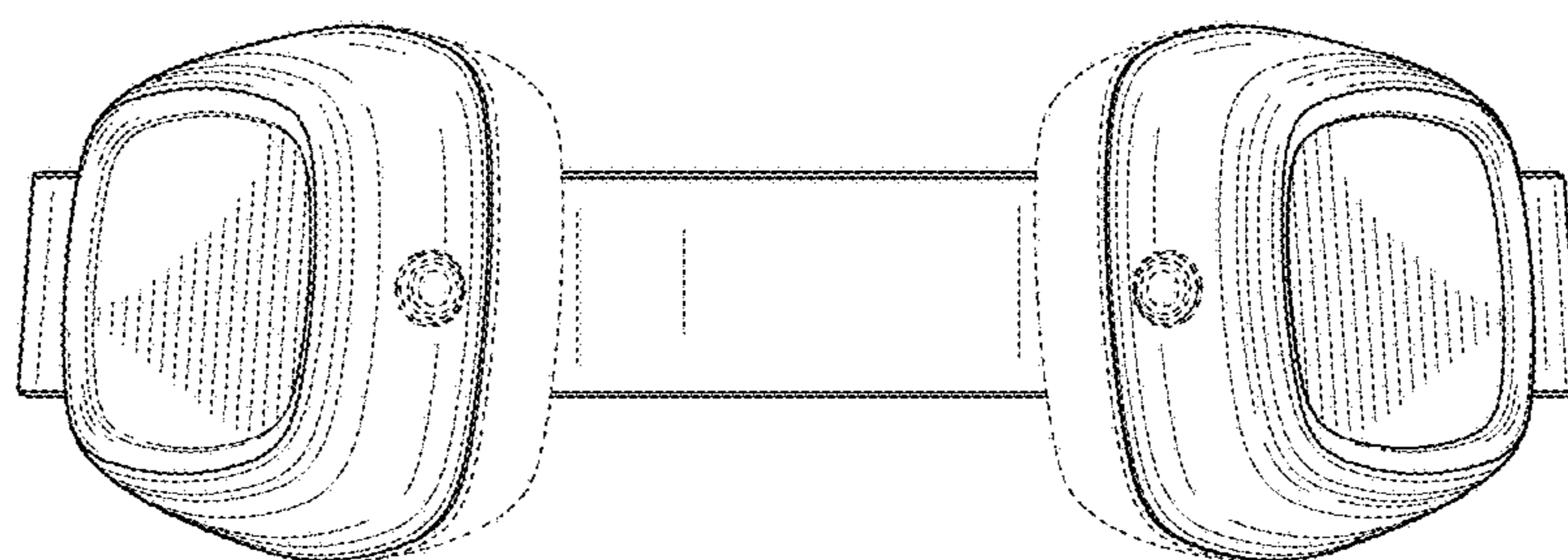


FIG. 7