



US00D796475S

(12) **United States Design Patent**
Wang et al.

(10) **Patent No.:** **US D796,475 S**
(45) **Date of Patent:** **** Sep. 5, 2017**

- (54) **COMMUNICATIONS HEADSET**
- (71) Applicant: **Plantronics, Inc.**, Santa Cruz, CA (US)
- (72) Inventors: **Bowman Wang**, Ben Lomond, CA (US); **Stann N Sheperd**, Santa Cruz, CA (US); **Johannes Lucas Schreuder**, Ees (NL); **Ernst Hupkes**, Kampen (NL)
- (73) Assignee: **Plantronics, Inc.**, Santa Cruz, CA (US)
- (**) Term: **15 Years**
- (21) Appl. No.: **29/557,514**
- (22) Filed: **Mar. 9, 2016**
- (51) **LOC (10) Cl.** **14-01**
- (52) **U.S. Cl.**
USPC **D14/205**
- (58) **Field of Classification Search**
USPC D14/205, 223; D24/174; 181/129, 130, 181/135; 379/430, 431; 381/380, 381, 381/328, 322, 325-326, 370, 382
CPC H04R 1/10; H04R 1/105; H04R 1/1091; H04R 25/00; H04R 1/1016; H04R 1/1066; H04R 5/033; H04R 5/0335; H04R 1/1033
See application file for complete search history.

D573,978 S *	7/2008	Ledbetter	D14/205
D578,508 S *	10/2008	Wang	D14/206
D587,681 S *	3/2009	Yanai	D14/205
D605,628 S *	12/2009	Ando	D14/205
D618,211 S *	6/2010	Oguro	D14/205
D621,817 S *	8/2010	Brickstad	D14/223
D660,291 S *	5/2012	Thomas	D14/223
8,391,536 B2 *	3/2013	Hashimoto	H04R 1/1016 381/370

(Continued)

FOREIGN PATENT DOCUMENTS

JP	D1460844	2/2013
JP	D1464186	3/2013
TW	D165957	2/2015

OTHER PUBLICATIONS

Taiwan IPO Search Report issued in corresponding Taiwanese Design Application No. 105304735, completed Nov. 23, 2016.

(Continued)

Primary Examiner — Paula Greene

(57) **CLAIM**

The ornamental design for a communications headset, as shown and described.

DESCRIPTION

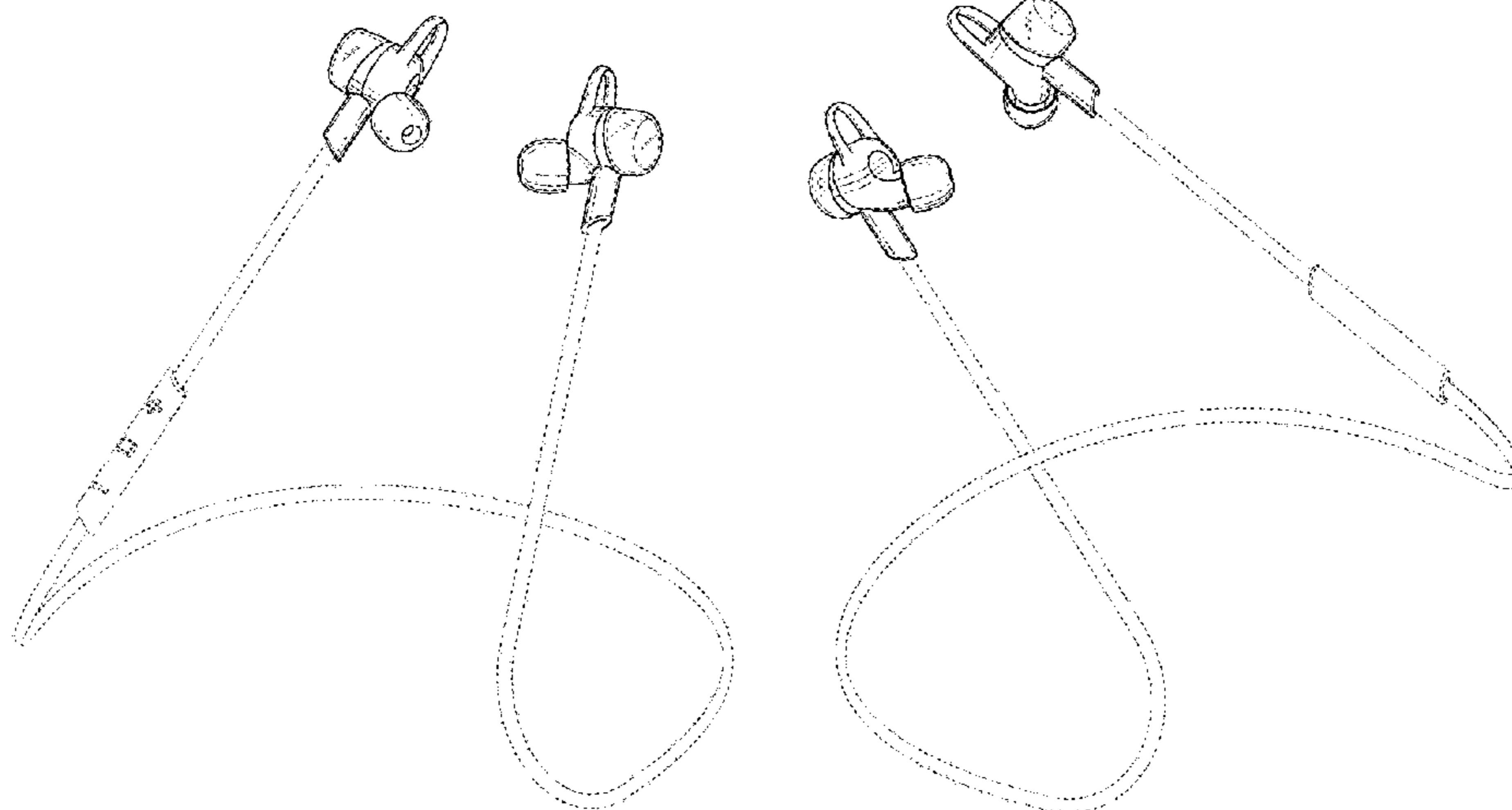
FIG. 1 is a front-left perspective view of a communications headset showing our new design; FIG. 2 is a back-right perspective view thereof; FIG. 3 is a front view thereof; FIG. 4 is a back view thereof; FIG. 5 is a right side view thereof; FIG. 6 is a left side view thereof; FIG. 7 is a top view thereof; and, FIG. 8 is a bottom view thereof. The broken lines showing the unclaimed features form no part of the claimed design.

1 Claim, 8 Drawing Sheets

(56) **References Cited**

U.S. PATENT DOCUMENTS

D311,521 S *	10/1990	Jonsson	D14/206
5,410,608 A *	4/1995	Lucey	H04R 1/083 381/360
D403,327 S *	12/1998	Landreth	D14/206
D469,755 S *	2/2003	Hlas	D14/223
D470,122 S *	2/2003	Hlas	D14/205
D470,123 S *	2/2003	Hlas	D14/205
D529,901 S *	10/2006	Ohta	D14/223
D538,271 S *	3/2007	Kim	D14/223
D569,841 S *	5/2008	Chung	D14/205
D572,703 S *	7/2008	Ledbetter	D14/205



(56)

References Cited

U.S. PATENT DOCUMENTS

D682,808 S * 5/2013 Fletcher D14/205
D682,809 S * 5/2013 Fletcher D14/205
D685,343 S * 7/2013 Fletcher D14/205
D685,760 S * 7/2013 Fletcher D14/205
D685,761 S * 7/2013 Fletcher D14/205
D685,764 S * 7/2013 Coulter D14/205
D687,410 S * 8/2013 Fletcher D14/205
8,712,087 B2 * 4/2014 Ozawa H04R 1/1016
181/130
D715,254 S * 10/2014 Lee D14/205
D716,272 S * 10/2014 Yang D14/223
D717,765 S * 11/2014 Rausch D14/205
D718,744 S * 12/2014 Thompson D14/223
D722,040 S * 2/2015 Tan D14/205
D726,145 S * 4/2015 Hsieh D14/205
D727,871 S * 4/2015 Orbach D14/205
D729,775 S * 5/2015 Seo D14/205
D776,083 S * 1/2017 Lee D14/205
D777,139 S * 1/2017 Fletcher D14/205
D782,997 S * 4/2017 Shin D14/205
2011/0317864 A1 * 12/2011 Kaneko H04R 1/1066
381/380
2013/0170692 A1 * 7/2013 Kaneko H04R 1/1033
381/380
2016/0037248 A1 * 2/2016 Cheng H04R 1/105
381/74

OTHER PUBLICATIONS

Unknown, "JBL Reflect Mini," found at URL <<https://www.jbl.com/ifa-products/REFLECT+MINI.html>> on Oct. 5, 2016.

* cited by examiner

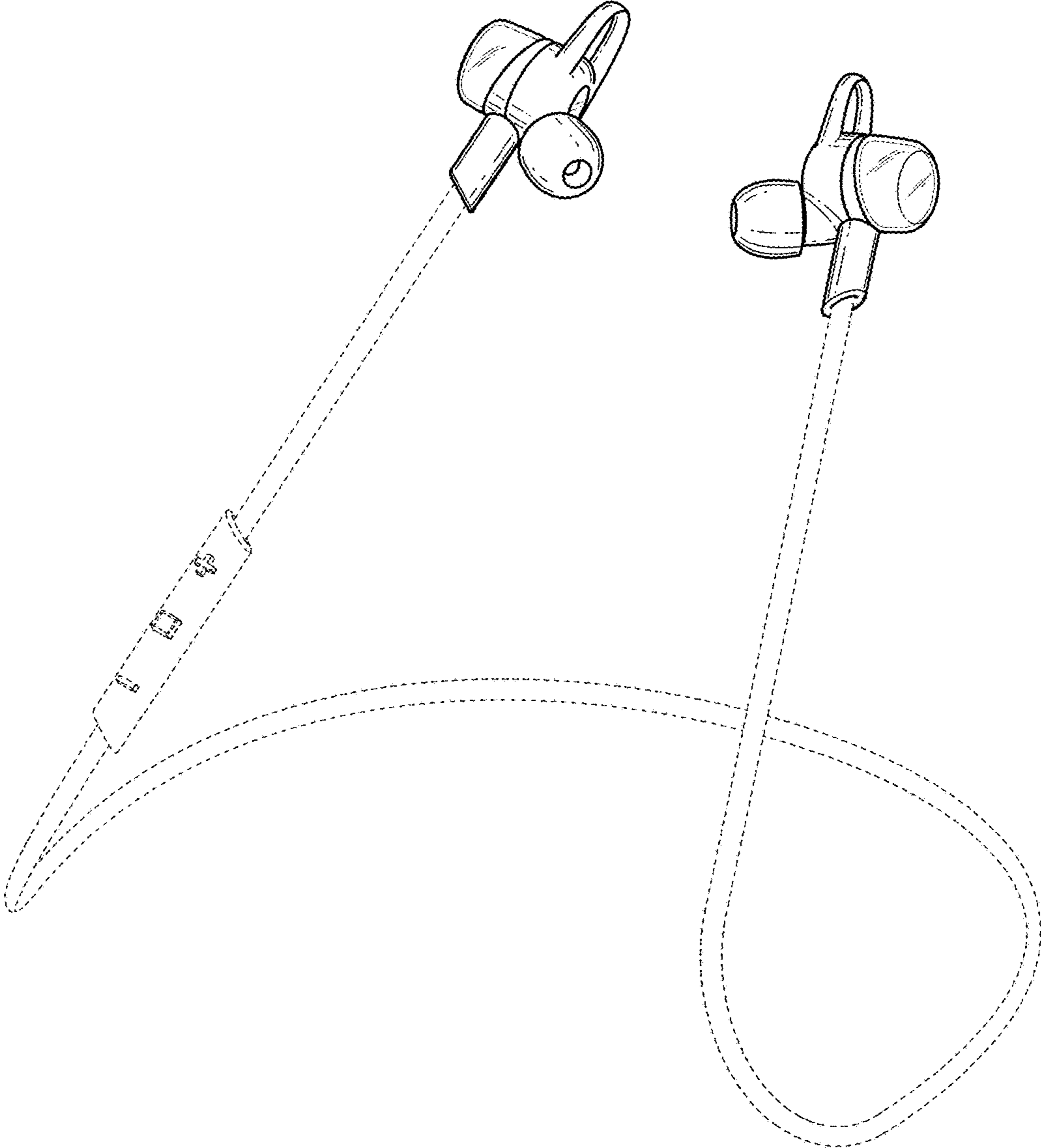


FIG. 1

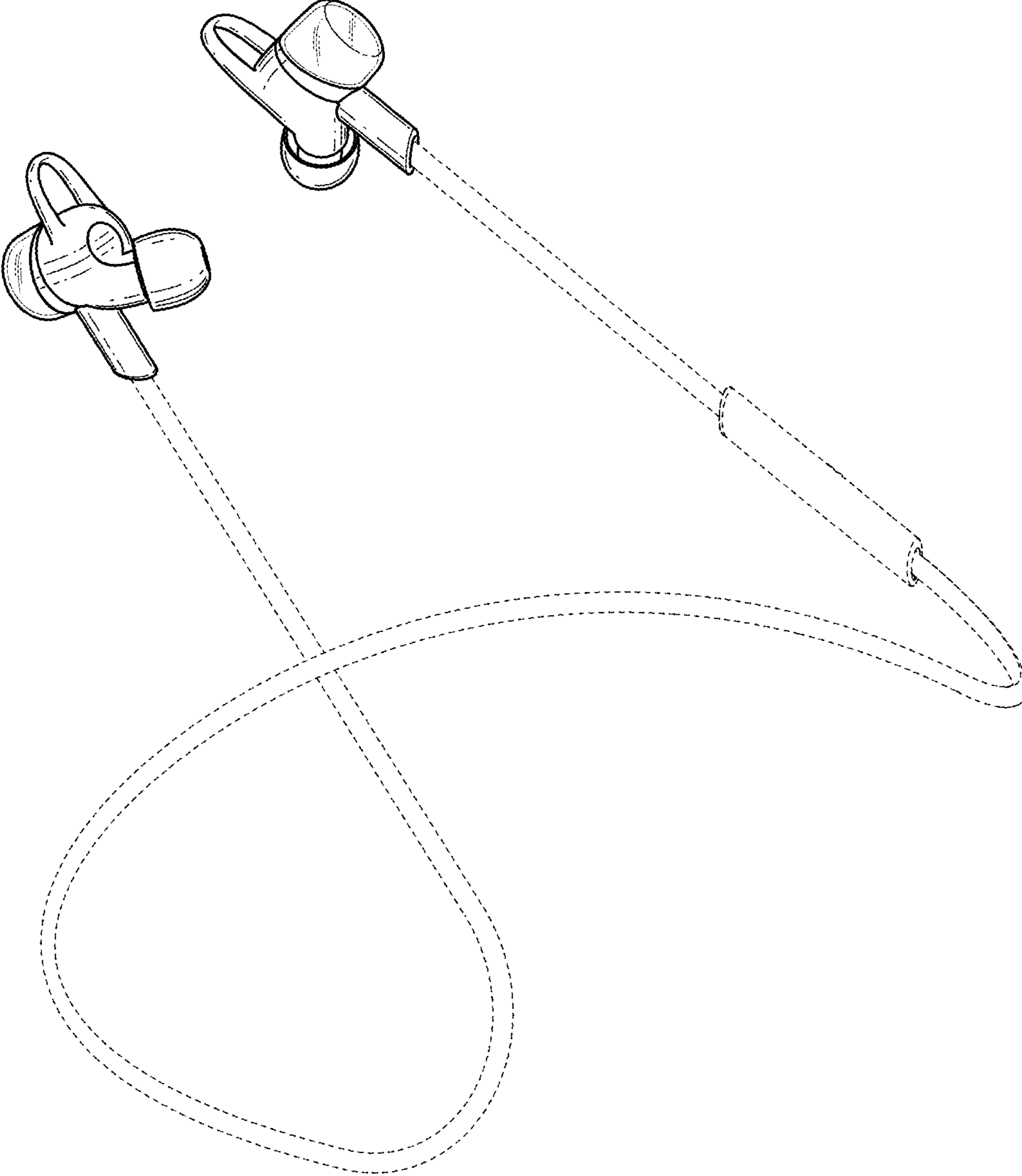


FIG. 2

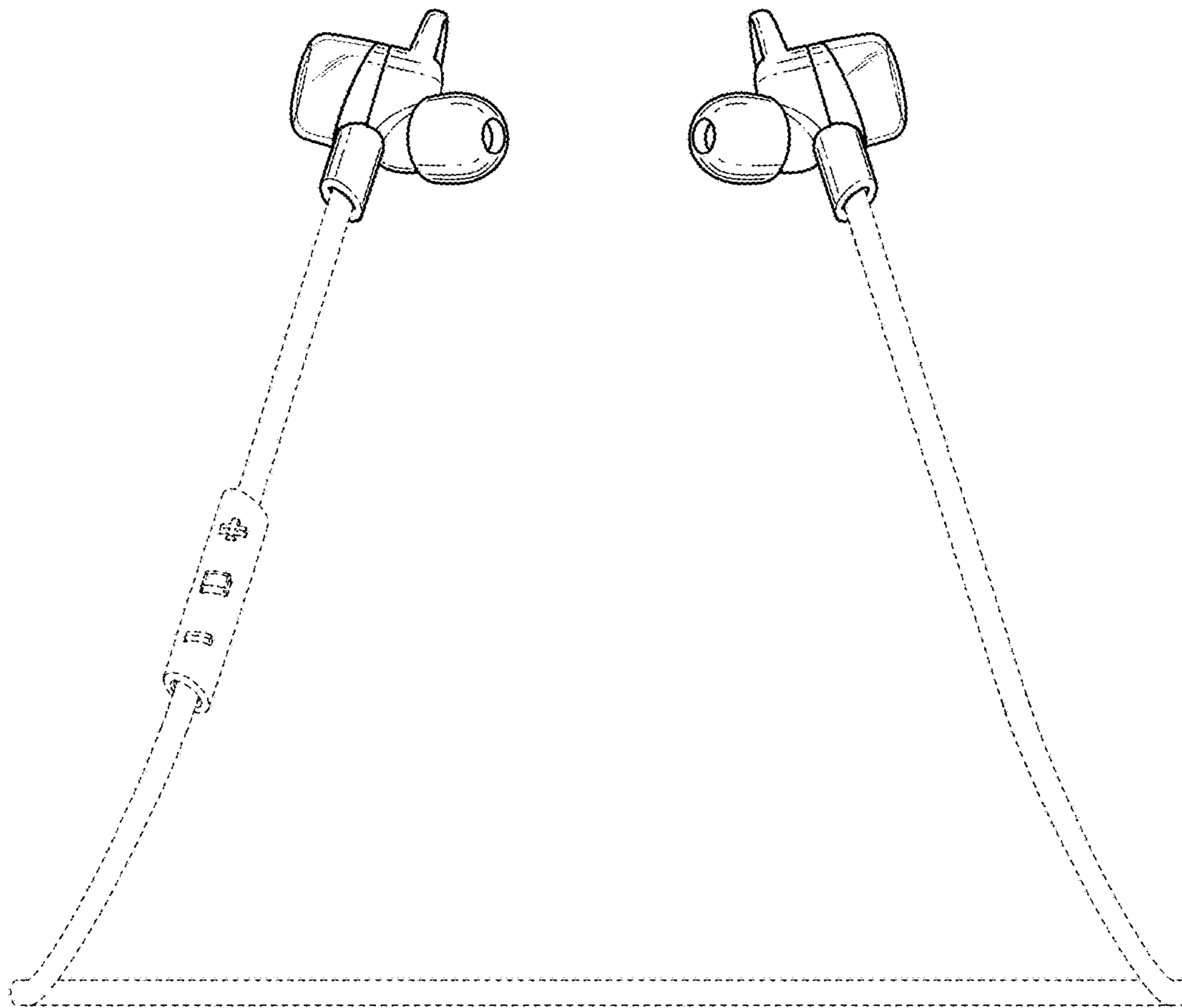


FIG. 3

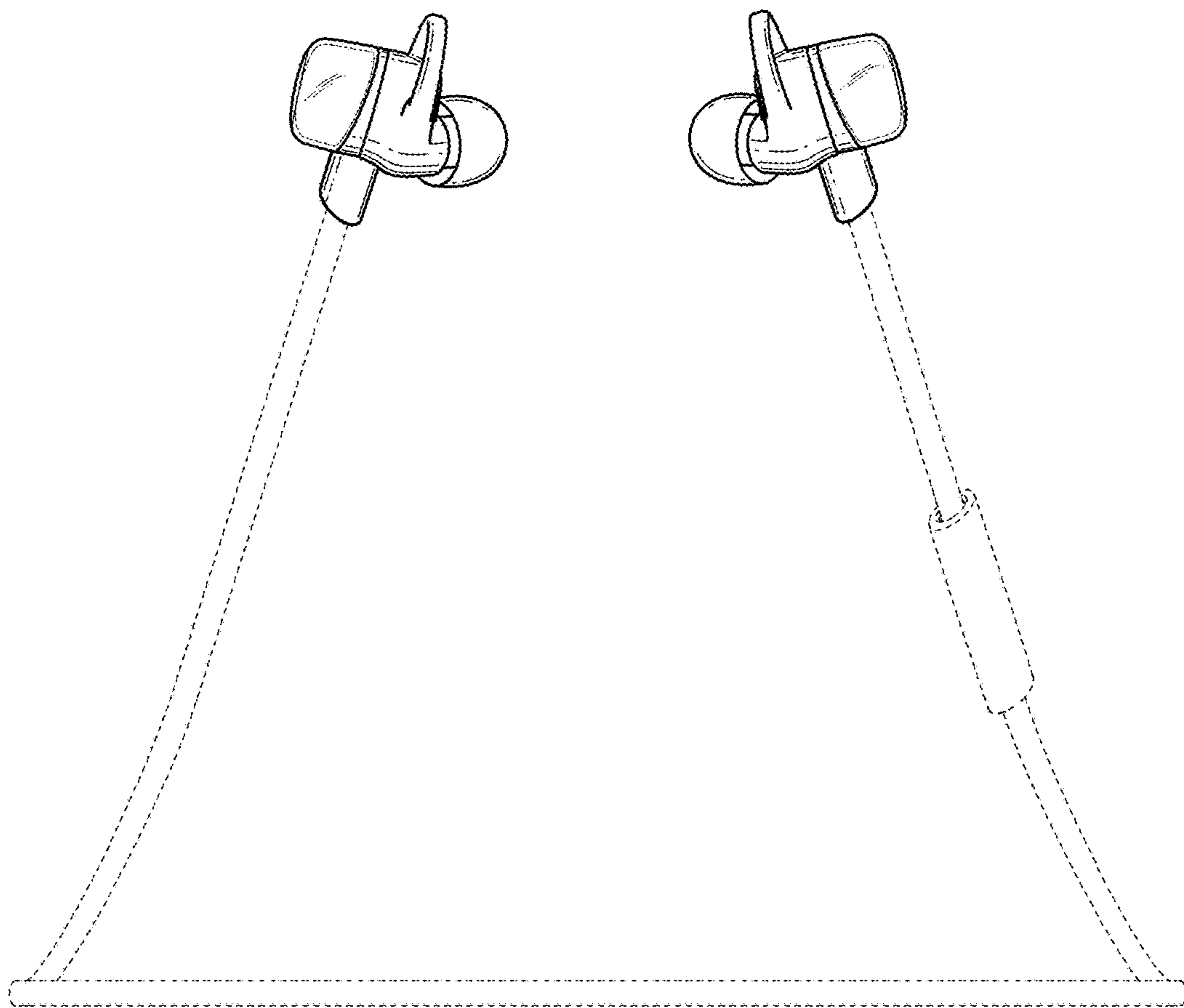


FIG. 4

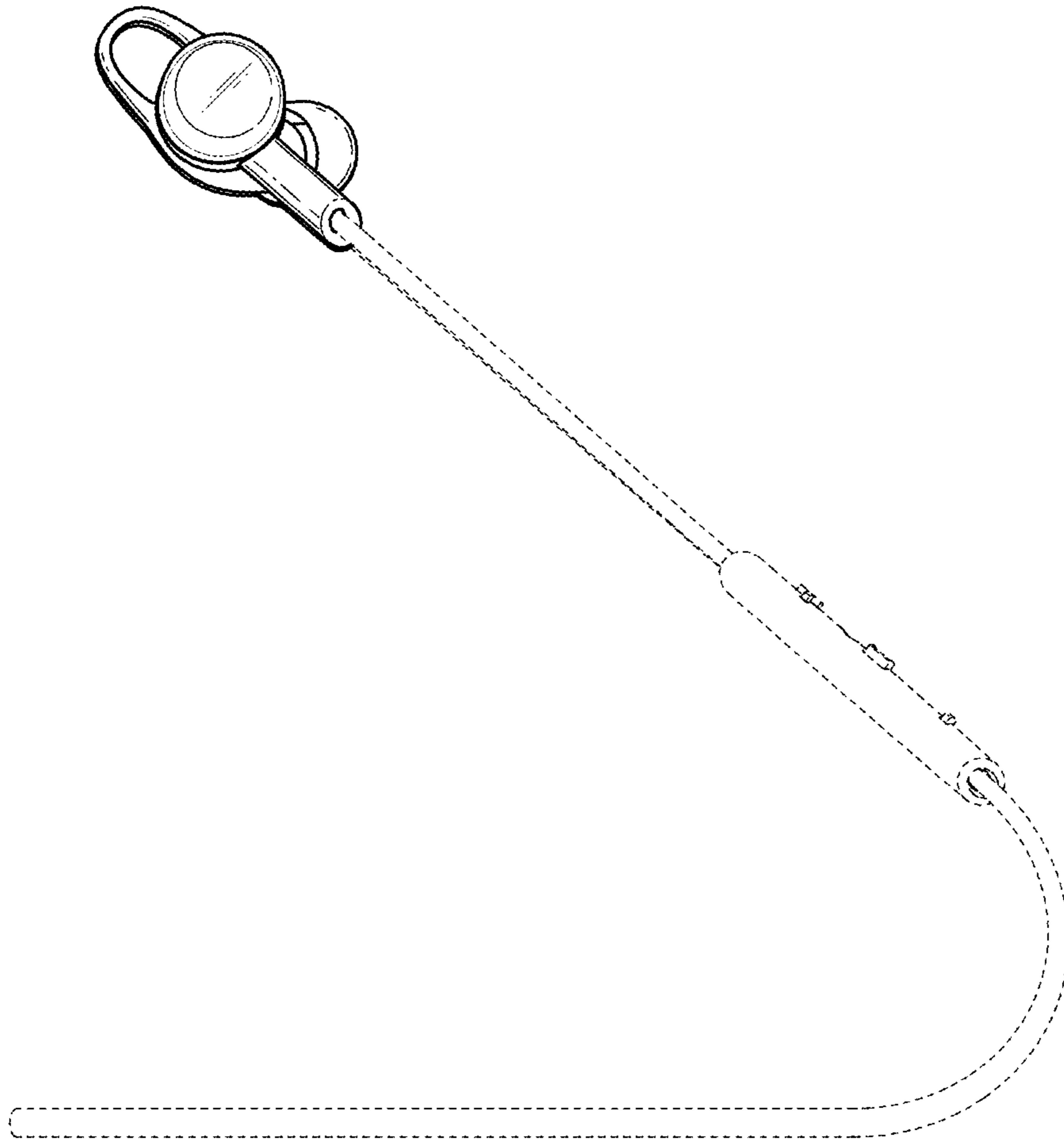


FIG. 5

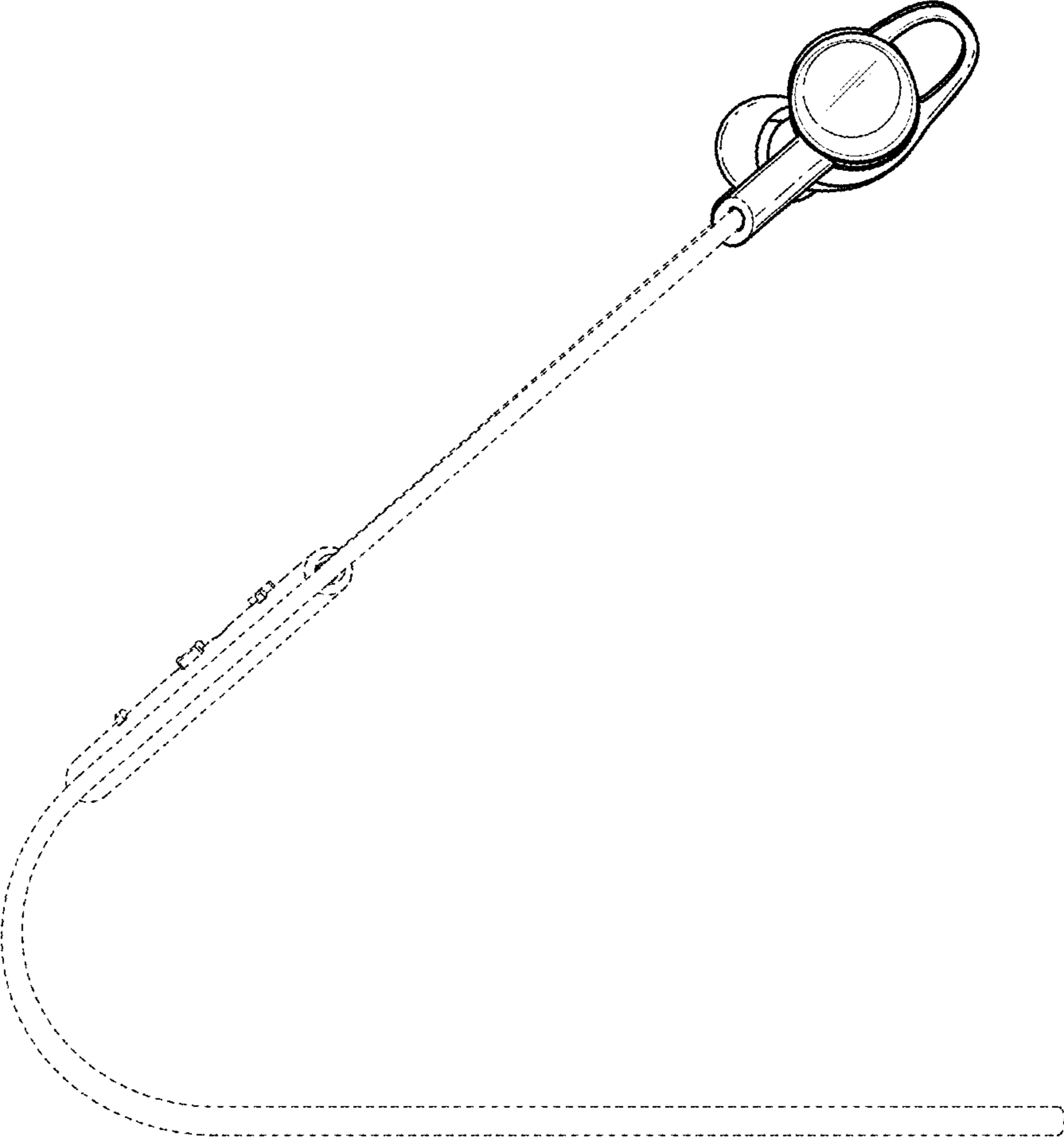


FIG. 6

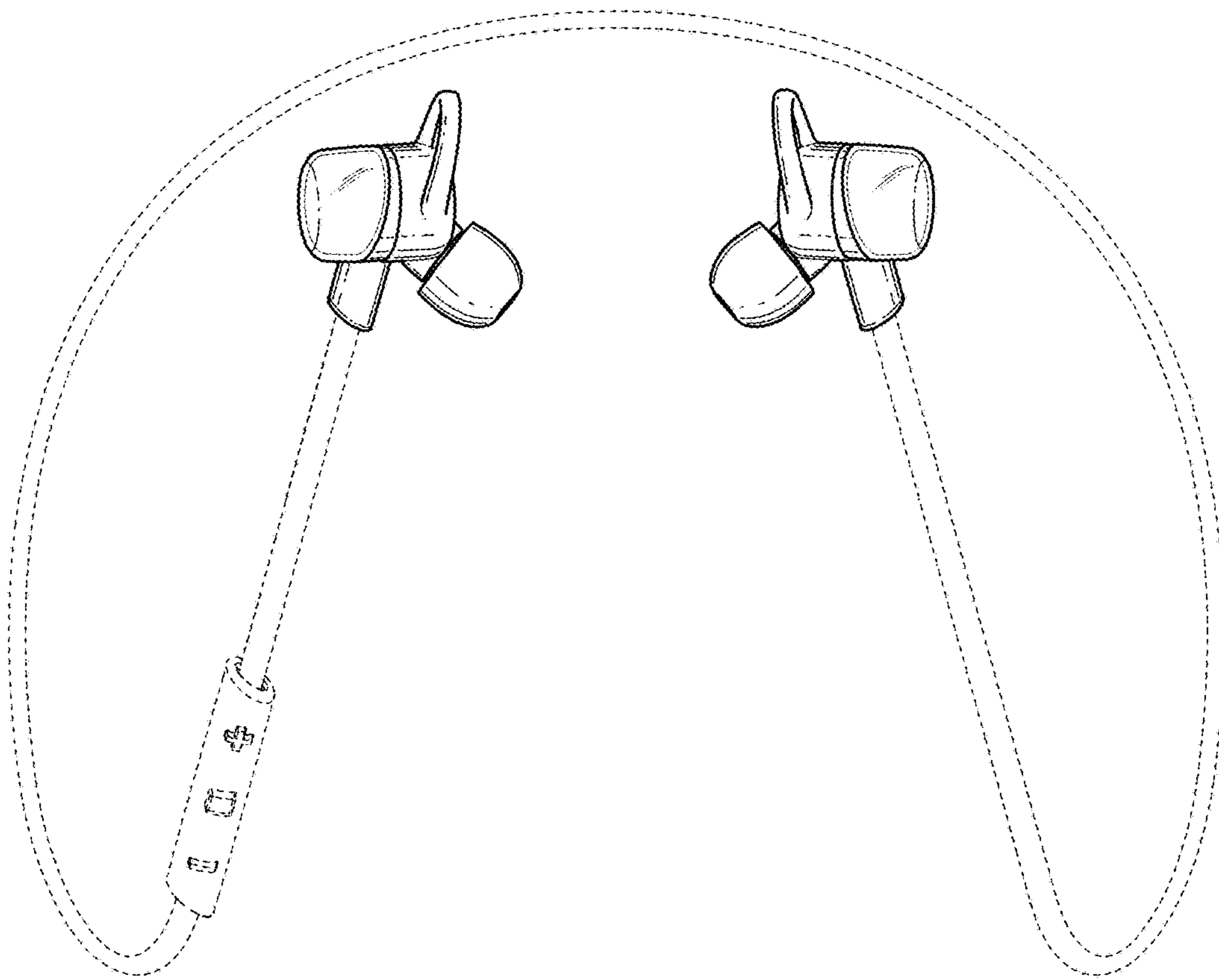


FIG. 7

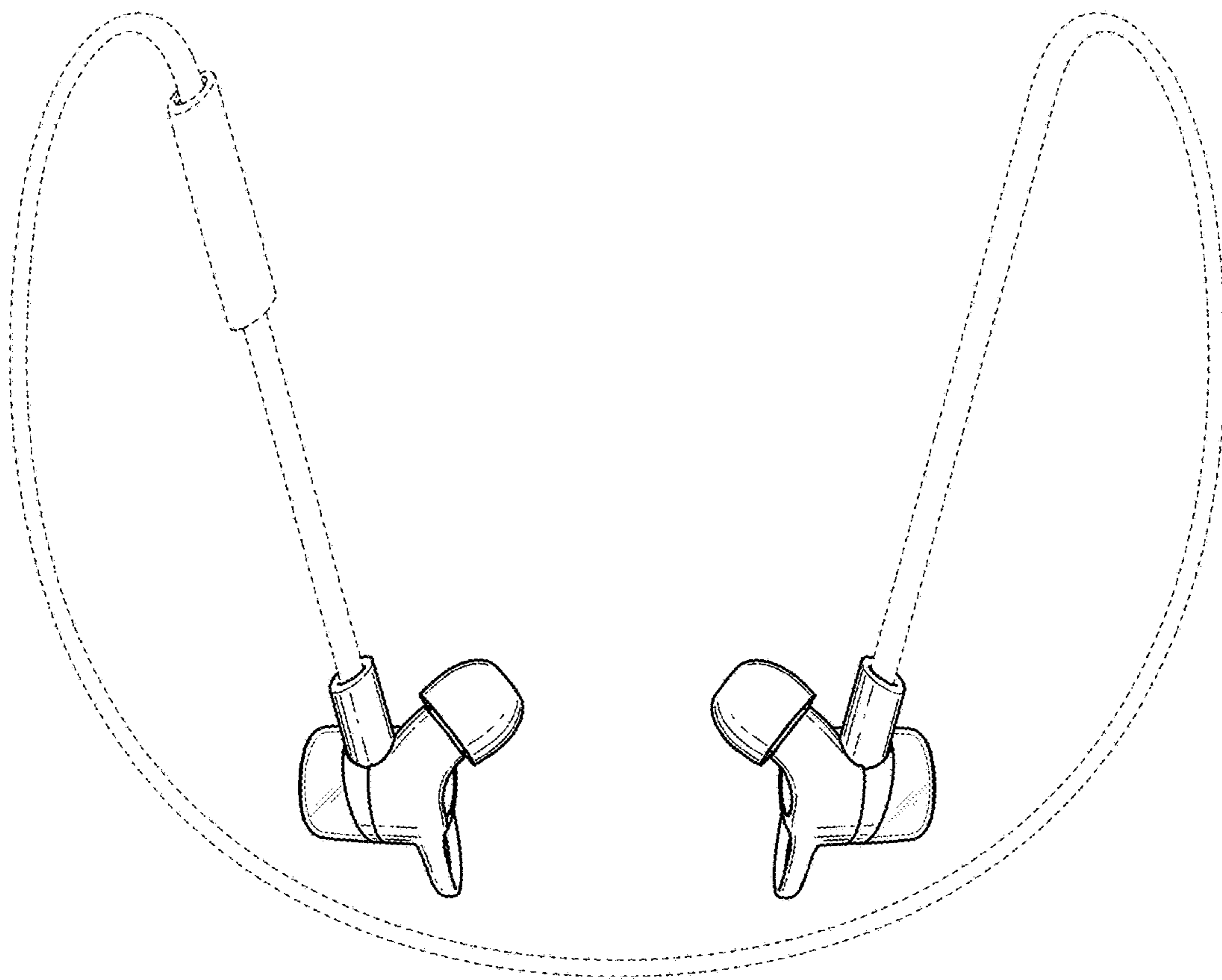


FIG. 8