



US00D796474S

(12) **United States Design Patent** (10) **Patent No.:** **US D796,474 S**
Treski et al. (45) **Date of Patent:** **** Sep. 5, 2017**

(54) **HEADPHONES**

(71) Applicant: **Apple Inc.**, Cupertino, CA (US)

(72) Inventors: **Eric Treski**, Manhattan Beach, CA (US); **Christina J. Smiechowski**, Hollywood, CA (US); **Robert D. Brunner**, San Francisco, CA (US); **Christopher Kuh**, San Francisco, CA (US); **Achille Biteau**, San Francisco, CA (US)

5,018,599 A 5/1991 Dohi et al.
5,035,005 A 7/1991 Hung
D328,074 S 7/1992 Yamazaki et al.
D328,461 S 8/1992 Daido et al.

(Continued)

FOREIGN PATENT DOCUMENTS

EM 002377150-0001 12/2013
JP 1318386 12/2007

(Continued)

OTHER PUBLICATIONS

Global Sources Electronics, Headphones, Oct. 2014, p. 41(JPO's Document HB26004292).

(Continued)

Primary Examiner — Paula Greene

(74) *Attorney, Agent, or Firm* — Sterne, Kessler, Goldstein & Fox P.L.L.C.

(73) Assignee: **Apple Inc.**, Cupertino, CA (US)

(**) Term: **15 Years**

(21) Appl. No.: **29/557,250**

(22) Filed: **Mar. 7, 2016**

(51) **LOC (10) Cl.** **14-01**

(52) **U.S. Cl.**
USPC **D14/205**

(58) **Field of Classification Search**
USPC D14/205, 188, 192; D29/112; 2/209;
181/129, 130, 135; 379/430, 431;
381/380, 381, 374; 455/90.3, 575.1
CPC H04R 1/1066; H04R 1/1016; H04R 1/10;
H04R 25/00; H04R 5/033; H04R 5/0335
See application file for complete search history.

(57) **CLAIM**

The ornamental design for headphones, as shown and described.

DESCRIPTION

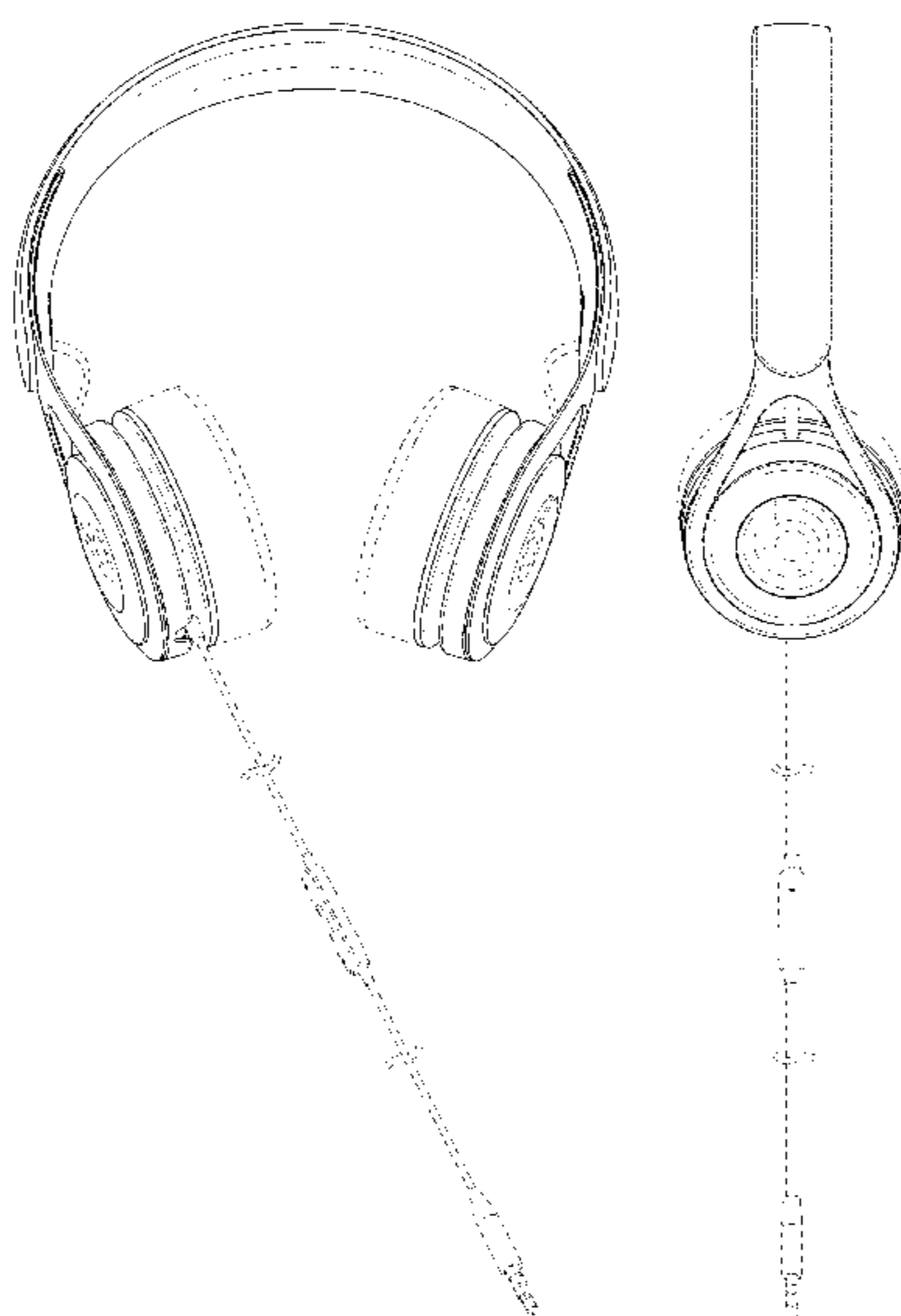
FIG. 1 is a top front perspective view of headphones showing the claimed design;
FIG. 2 is a bottom front perspective view of thereof;
FIG. 3 is a front view thereof;
FIG. 4 is a rear view thereof;
FIG. 5 is a left side view thereof;
FIG. 6 is a right side view thereof;
FIG. 7 is a top view thereof; and,
FIG. 8 is a bottom view thereof.
The broken lines in the figures show portions of the headphone that form no part of the claimed design.
The shade lines in the figures show contour and not surface ornamentation.

(56) **References Cited**

U.S. PATENT DOCUMENTS

1,066,511 A 7/1913 Markoff
3,073,410 A * 1/1963 Gongoll A61F 11/14
128/867
3,104,398 A 9/1963 Palmaer
D244,300 S 5/1977 Besasie
4,173,715 A 11/1979 Gosman
D254,183 S 2/1980 Doodson
D254,876 S 5/1980 Reitenga et al.
4,634,816 A 1/1987 O'Malley et al.
D313,092 S 12/1990 Nilsson

1 Claim, 6 Drawing Sheets



(56)

References Cited

U.S. PATENT DOCUMENTS

D338,010 S 8/1993 Yamatogi
 D351,172 S 10/1994 Nakamura et al.
 D358,389 S 5/1995 Isono
 D375,825 S 11/1996 Whidden
 D420,356 S 2/2000 Suzuki
 D422,592 S 4/2000 Deguchi
 6,081,604 A 6/2000 Hikichi et al.
 D430,140 S 8/2000 Roman
 D435,249 S 12/2000 Yasutomi
 D457,512 S 5/2002 Yoneda
 6,449,806 B1 9/2002 Engelhard et al.
 6,496,589 B1* 12/2002 Pham H04R 1/08
 381/370
 D468,723 S 1/2003 Pham et al.
 D484,485 S 12/2003 Matsuoka
 6,654,966 B2 12/2003 Rolla
 D484,868 S 1/2004 Suzuki
 6,678,897 B2 1/2004 Lindgren
 D491,163 S 6/2004 Green
 D502,938 S 3/2005 Tokioka et al.
 D504,414 S* 4/2005 Yoshida D14/192
 D504,883 S 5/2005 Jacobson et al.
 D512,708 S 12/2005 Harris, Jr. et al.
 D512,981 S 12/2005 Jacobson et al.
 D517,043 S 3/2006 Jacobson et al.
 7,072,483 B2* 7/2006 Lenhard-Backhaus H04R 1/1066
 381/370
 D532,407 S 11/2006 Motoishi
 D534,155 S 12/2006 Obata
 D534,156 S 12/2006 Obata
 7,172,052 B2 2/2007 Lenhard-Backhaus
 D540,301 S 4/2007 Obata
 D541,257 S 4/2007 Thursfield
 D545,001 S* 6/2007 Le Gette D29/112
 D552,077 S 10/2007 Brunner et al.
 D557,684 S 12/2007 Pundsack et al.
 D563,382 S 3/2008 Wikel
 D563,995 S 3/2008 Deguchi et al.
 D582,890 S 12/2008 Koza et al.
 D584,715 S 1/2009 Brennwald
 D585,870 S 2/2009 Zheng et al.
 D585,871 S 2/2009 Lee
 D585,872 S 2/2009 Lee
 D588,098 S 3/2009 Kurihara
 D588,100 S 3/2009 Densho et al.
 D591,263 S 4/2009 Shimizu
 D592,182 S 5/2009 Sanguinetti
 D592,640 S 5/2009 Tkachuk

D593,995 S 6/2009 Shimizu
 D600,674 S 9/2009 Brennwald
 D603,370 S 11/2009 Suzuki
 D603,371 S 11/2009 Boateng et al.
 D616,865 S 6/2010 Marchand et al.
 D617,769 S 6/2010 Birger
 7,735,154 B2 6/2010 Gellis et al.
 D625,705 S 10/2010 Ohori et al.
 D632,668 S 2/2011 Brunner et al.
 D633,896 S 3/2011 Kondo et al.
 D635,959 S 4/2011 Hutchieson
 D637,176 S 5/2011 Brunner et al.
 D639,776 S 6/2011 Arimoto
 D641,725 S 7/2011 Chong et al.
 D652,405 S 1/2012 Lee et al.
 D657,344 S 4/2012 Brunner et al.
 D657,345 S 4/2012 Brunner et al.
 D660,824 S* 5/2012 Hardi D14/205
 D674,767 S 1/2013 Brunner et al.
 D689,463 S* 9/2013 Hardi D14/205
 D691,112 S 10/2013 Brunner et al.
 D696,226 S* 12/2013 Brunner H04R 5/033
 D14/205
 D698,749 S 2/2014 Brunner et al.
 D702,210 S* 4/2014 Birger H04S 1/005
 D14/205
 D707,200 S* 6/2014 Yang H04R 1/1066
 D14/205
 D713,817 S* 9/2014 Paterson D14/205
 D722,591 S 2/2015 Son et al.
 D725,630 S* 3/2015 Nakagawa D14/205
 9,084,055 B2 7/2015 Brunner et al.
 D765,055 S* 8/2016 Hsieh D14/205
 D765,056 S* 8/2016 Yang D14/205
 D768,110 S* 10/2016 Suzuki D14/205
 2003/0210801 A1* 11/2003 Naksen H04R 1/1066
 381/370
 2011/0206216 A1 8/2011 Brunner et al.

FOREIGN PATENT DOCUMENTS

JP D1452709 S 9/2012
 KR D30-0747000 S 6/2014

OTHER PUBLICATIONS

Office Action dated Dec. 10, 2010 for Russian Patent Application No. 2010501890.

* cited by examiner

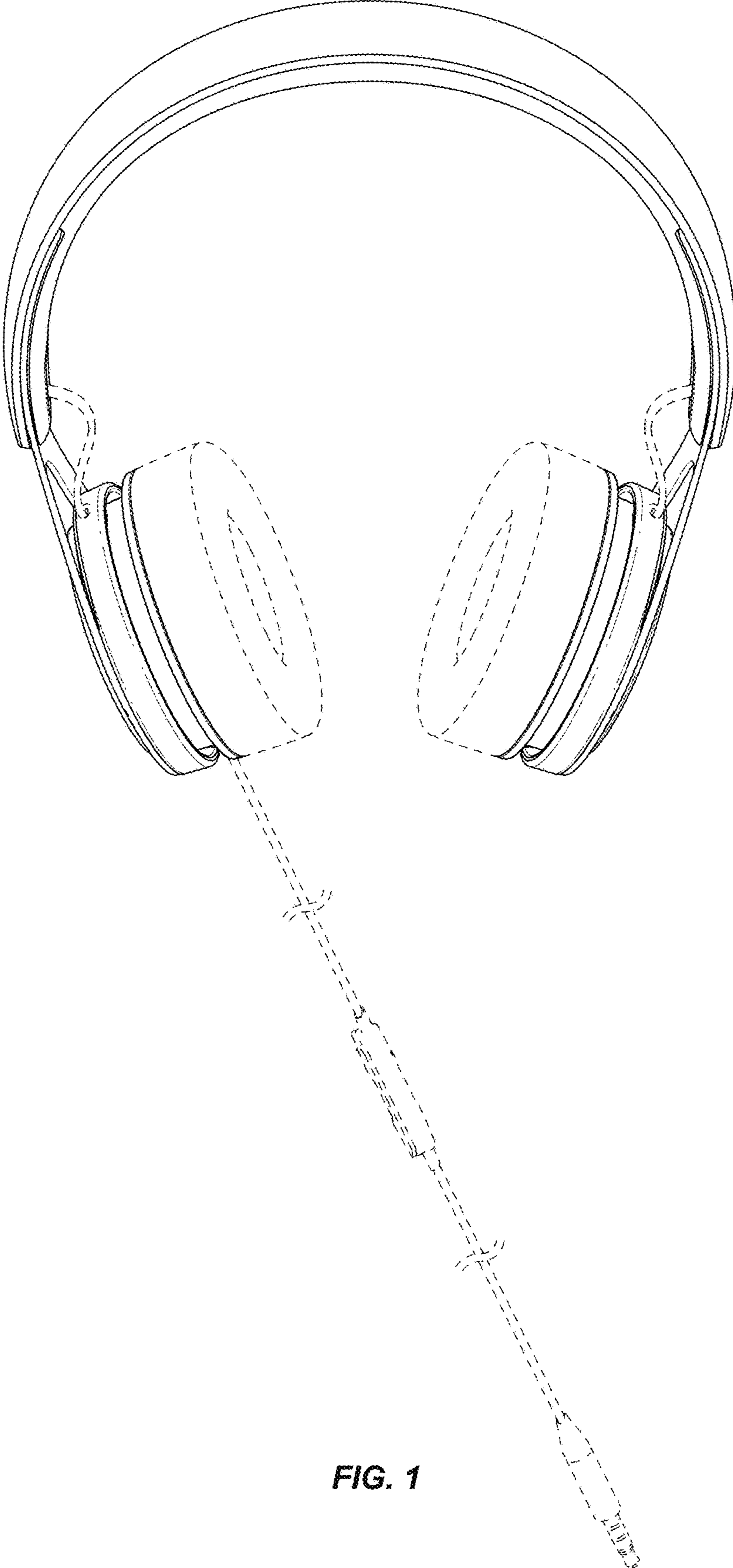


FIG. 1

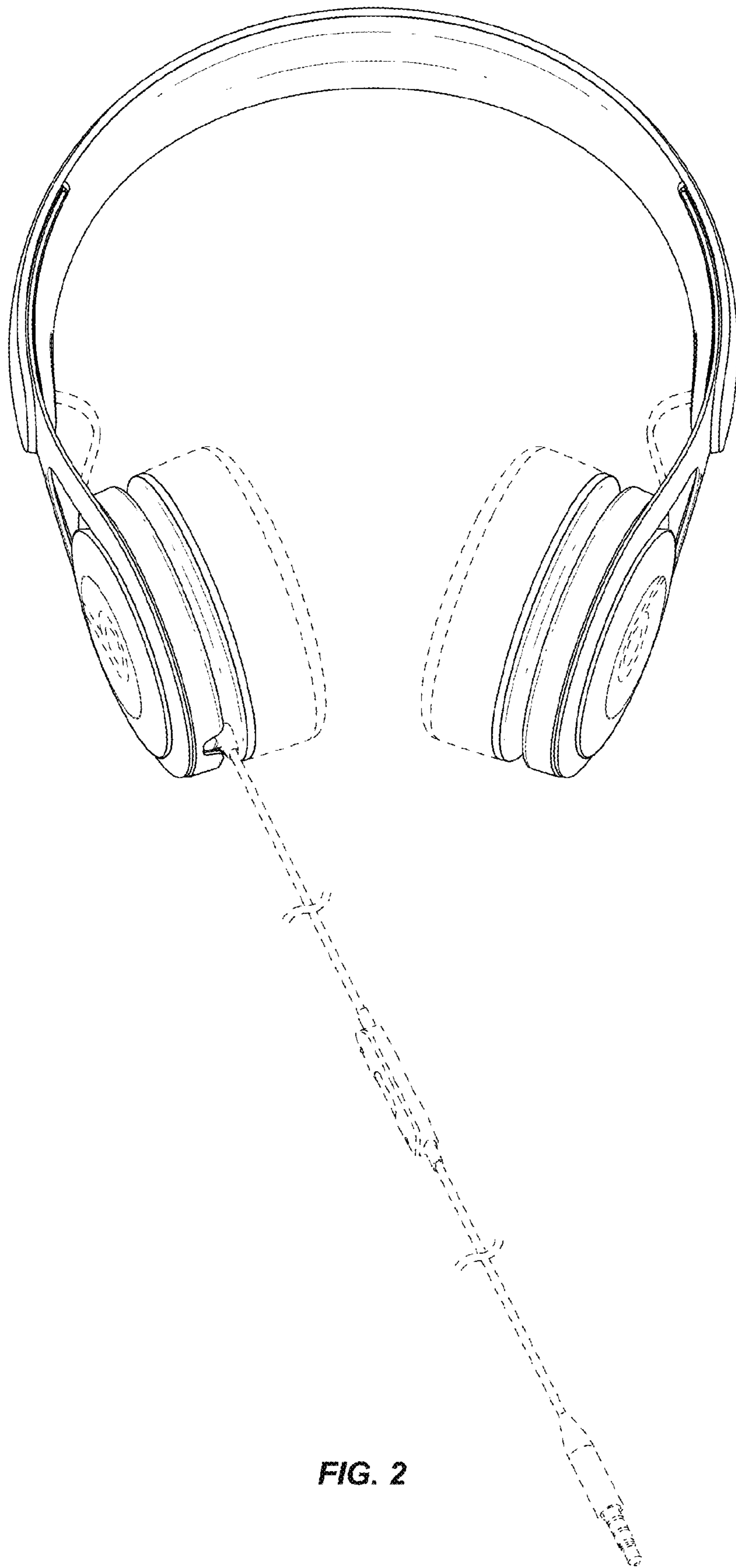


FIG. 2

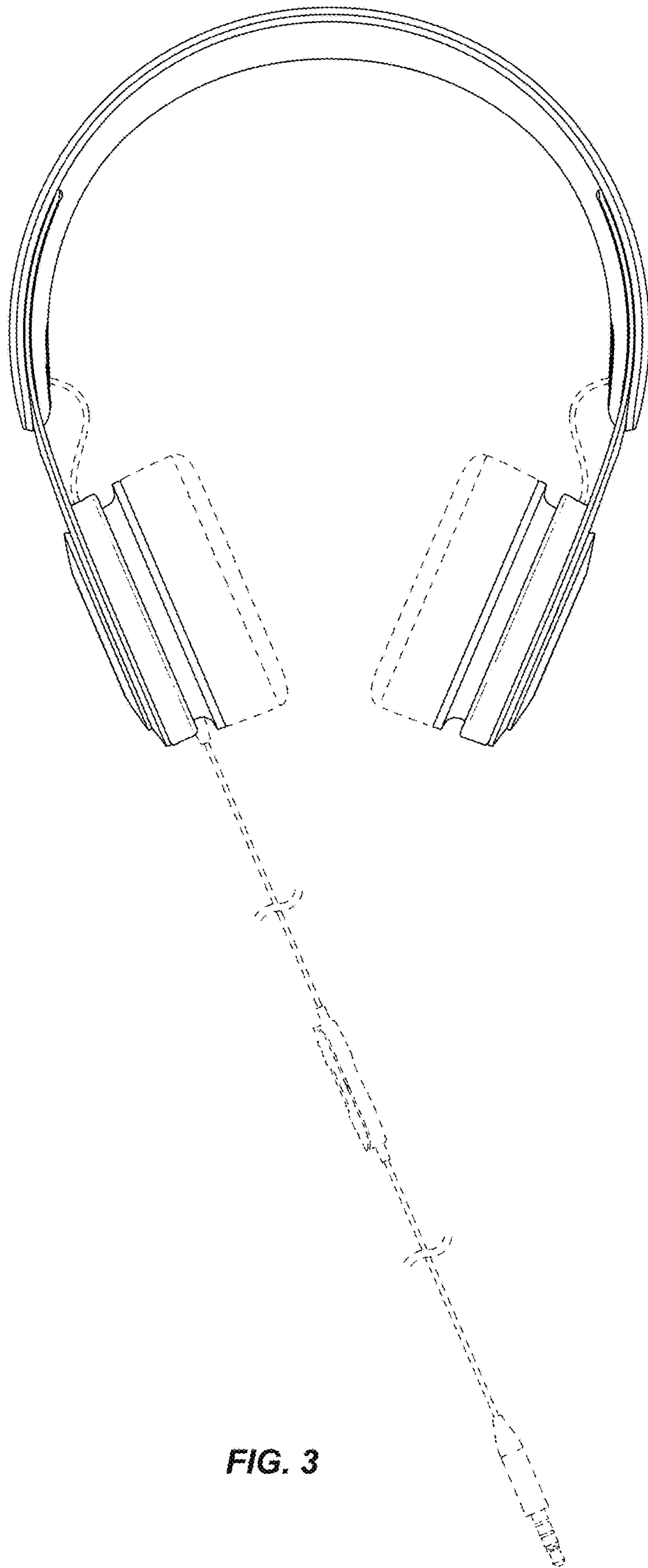


FIG. 3

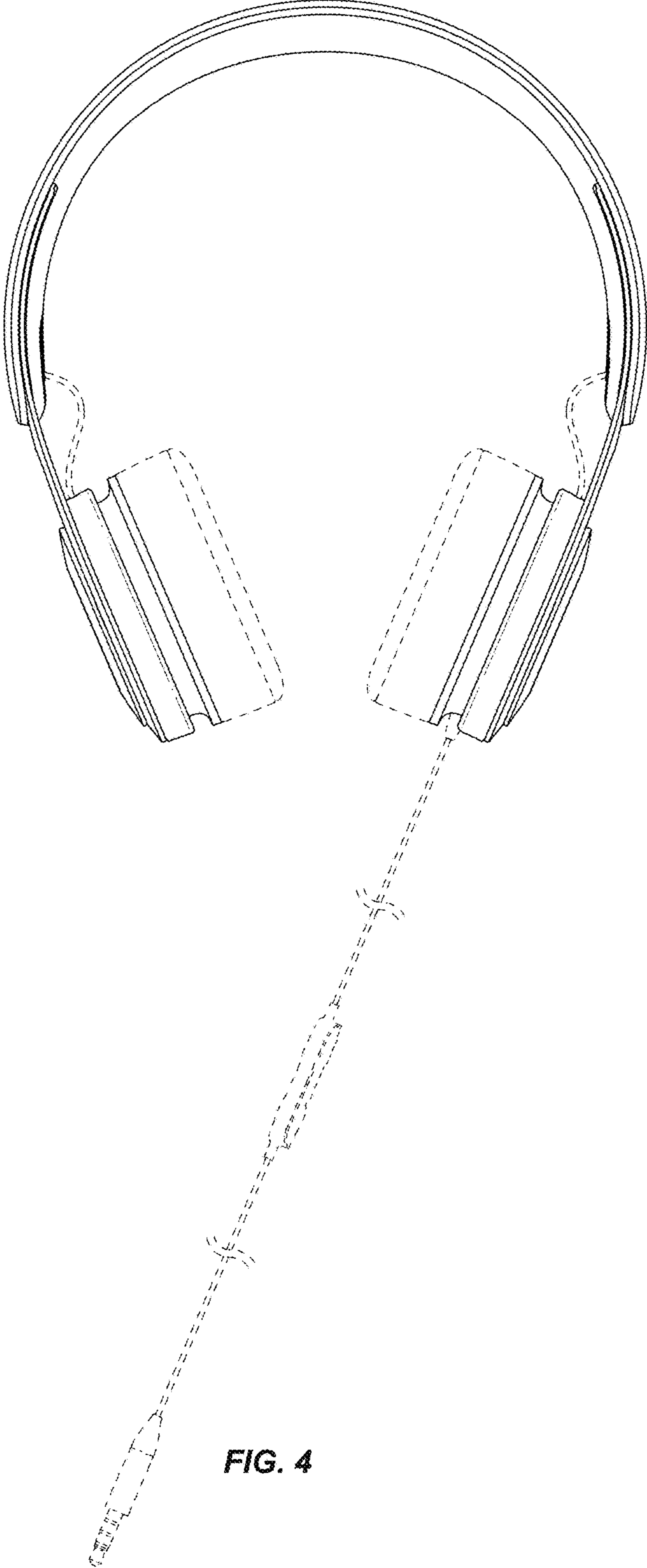


FIG. 4

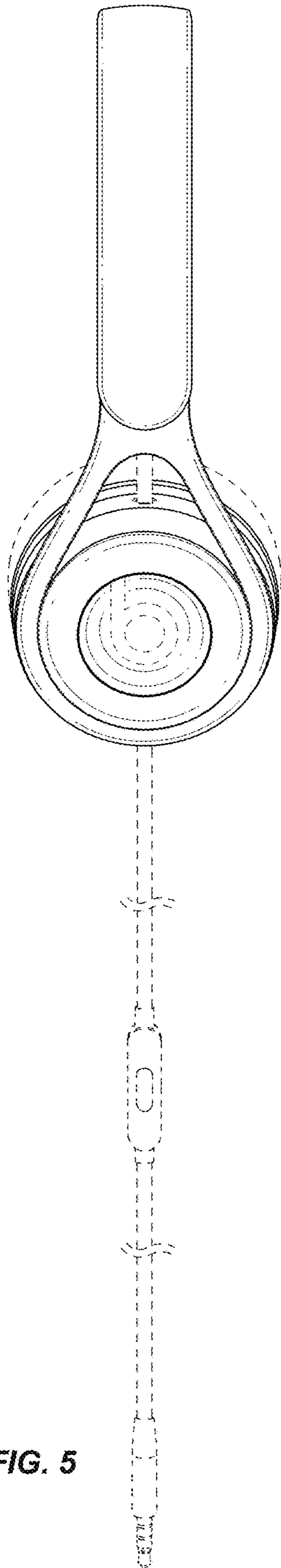


FIG. 5

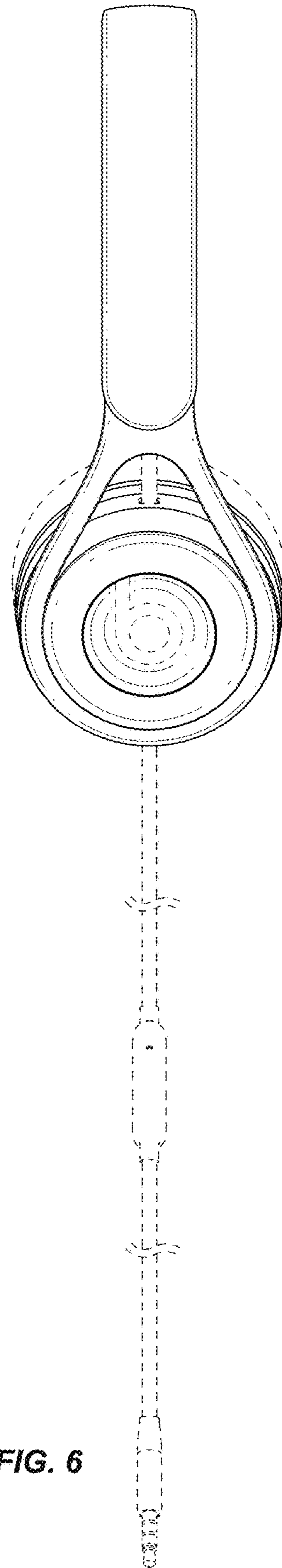


FIG. 6

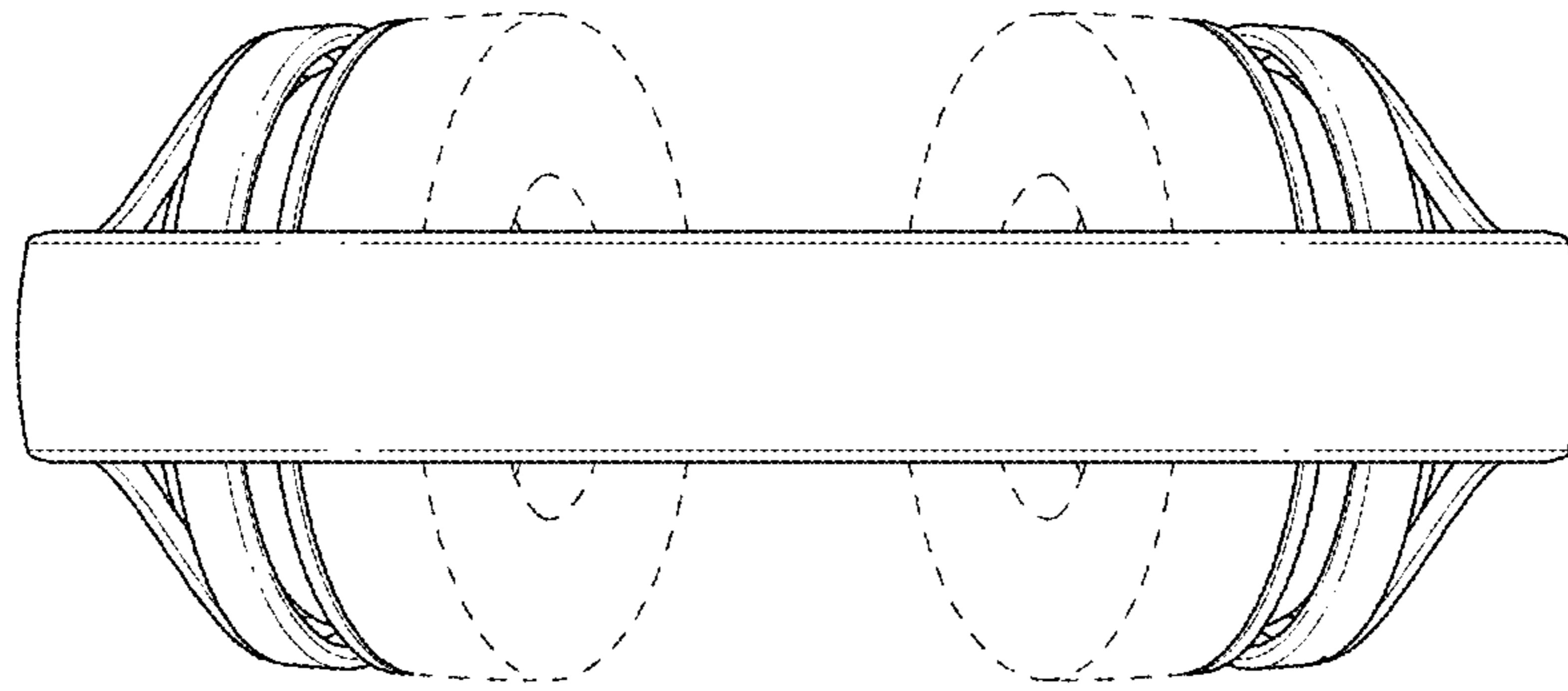


FIG. 7

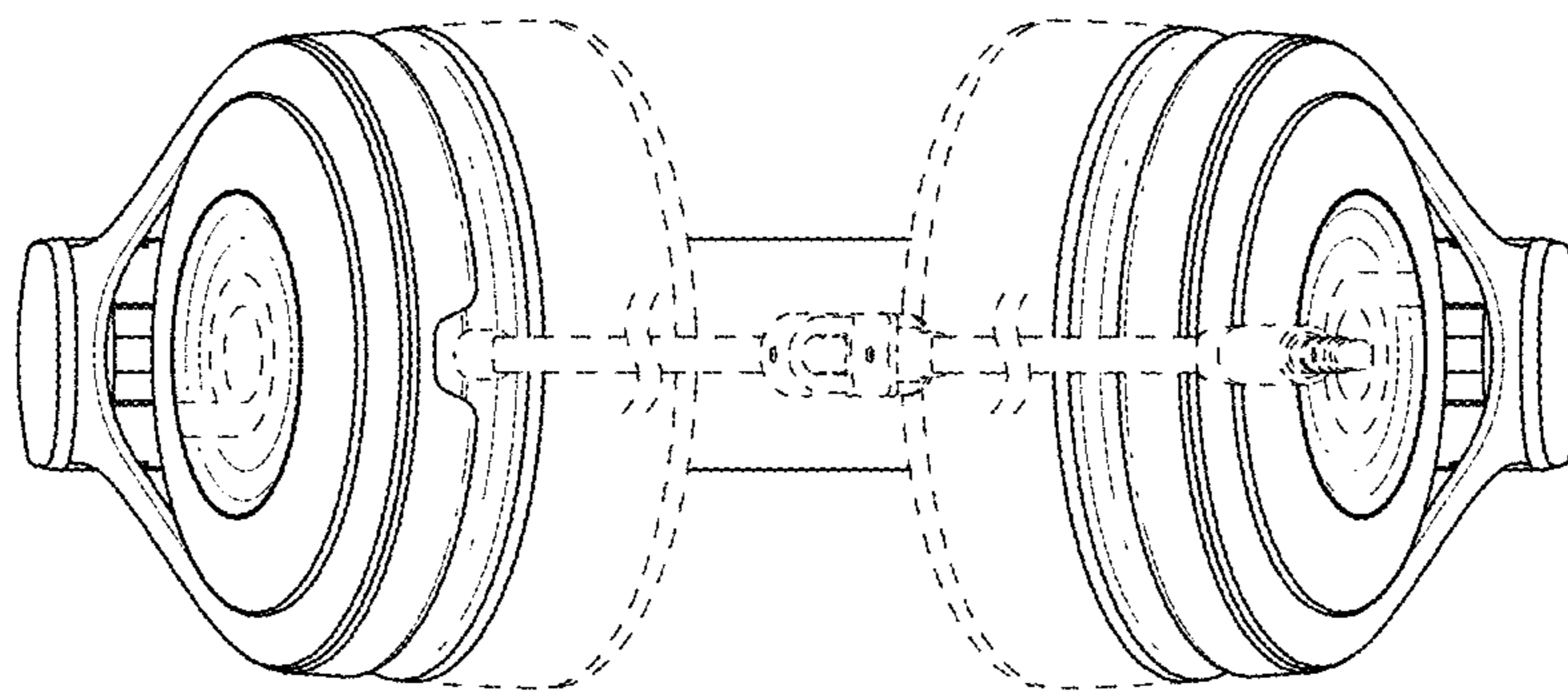


FIG. 8

UNITED STATES PATENT AND TRADEMARK OFFICE
CERTIFICATE OF CORRECTION

PATENT NO. : D796,474 S
APPLICATION NO. : 29/557250
DATED : September 5, 2017
INVENTOR(S) : Treski et al.

Page 1 of 1

It is certified that error appears in the above-identified patent and that said Letters Patent is hereby corrected as shown below:

In Column 2, Lines 10–11 of the description section, replace “The broken lines in the figures show portions of the headphone that form no part of the claimed design” with --The broken lines in the figures show portions of the headphones that form no part of the claimed design--.

Signed and Sealed this
Seventeenth Day of October, 2017



Joseph Matal
*Performing the Functions and Duties of the
Under Secretary of Commerce for Intellectual Property and
Director of the United States Patent and Trademark Office*