

US00D796465S

(12) **United States Design Patent**  
**Kim et al.**

(10) **Patent No.:** **US D796,465 S**

(45) **Date of Patent:** **\*\* Sep. 5, 2017**

(54) **TELEVISION RECEIVER**

G02B 6/0068; H05K 5/02; H05K 5/0004;  
H05K 5/0017; H05K 5/0217

(71) Applicant: **LG ELECTRONICS INC.**, Seoul  
(KR)

See application file for complete search history.

(72) Inventors: **Yeonjin Kim**, Seoul (KR); **Taeho Kim**,  
Seoul (KR); **Yongho Lee**, Seoul (KR)

(56) **References Cited**

U.S. PATENT DOCUMENTS

(73) Assignee: **LG ELECTRONICS INC.**, Seoul  
(KR)

D545,778 S *	7/2007	Isshiki	.....	D14/126
D675,175 S *	1/2013	Kim	.....	D14/126
D682,227 S *	5/2013	Lee	.....	D14/126
D682,234 S *	5/2013	Lee	.....	D14/126
D686,585 S *	7/2013	Yoon	.....	D14/126
D691,102 S *	10/2013	Park	.....	D14/126
D699,699 S *	2/2014	Park	.....	D14/126
D705,185 S *	5/2014	Jeon	.....	D14/126
D719,538 S *	12/2014	Lee	.....	D14/126
D726,137 S *	4/2015	Lee	.....	D14/126
D755,144 S *	5/2016	Kim	.....	D14/126
D774,482 S *	12/2016	Hong	.....	D14/126
D786,868 S *	5/2017	Kim	.....	D14/374

(\*\*) Term: **15 Years**

(21) Appl. No.: **35/501,171**

(22) Filed: **Jan. 8, 2016**

(80) **Hague Agreement Data**

Int. Filing Date: **Jan. 8, 2016**

Int. Reg. No.: **DM/089374**

Int. Reg. Date: **Jan. 8, 2016**

Int. Reg. Pub. Date: **Jul. 8, 2016**

\* cited by examiner

*Primary Examiner* — Keli L Hill

(74) *Attorney, Agent, or Firm* — Birch, Stewart, Kolasch  
& Birch, LLP

(30) **Foreign Application Priority Data**

Jul. 13, 2015 (KR) ..... 30-2015-0035187

(51) **LOC (10) Cl.** ..... **14-03**

(52) **U.S. Cl.**  
USPC ..... **D14/126**

(58) **Field of Classification Search**

USPC ..... D14/125, 126, 128, 133, 239, 336, 371,  
D14/374-377, 448, 450; D20/10, 19, 39;  
D21/329, 515; 312/7.2; 348/180, 184,  
348/325, 739, 836, 838; 248/465,  
248/917-924; 345/87, 104, 133, 156,  
345/168, 173

CPC ..... G06F 1/1601; G06F 1/1643; H04N 5/64;  
H04N 5/66; H04N 5/655; H04N 7/00;  
H04N 9/3141; H04N 13/0459; H04N  
17/04; H04N 17/004; H04N 21/43637;

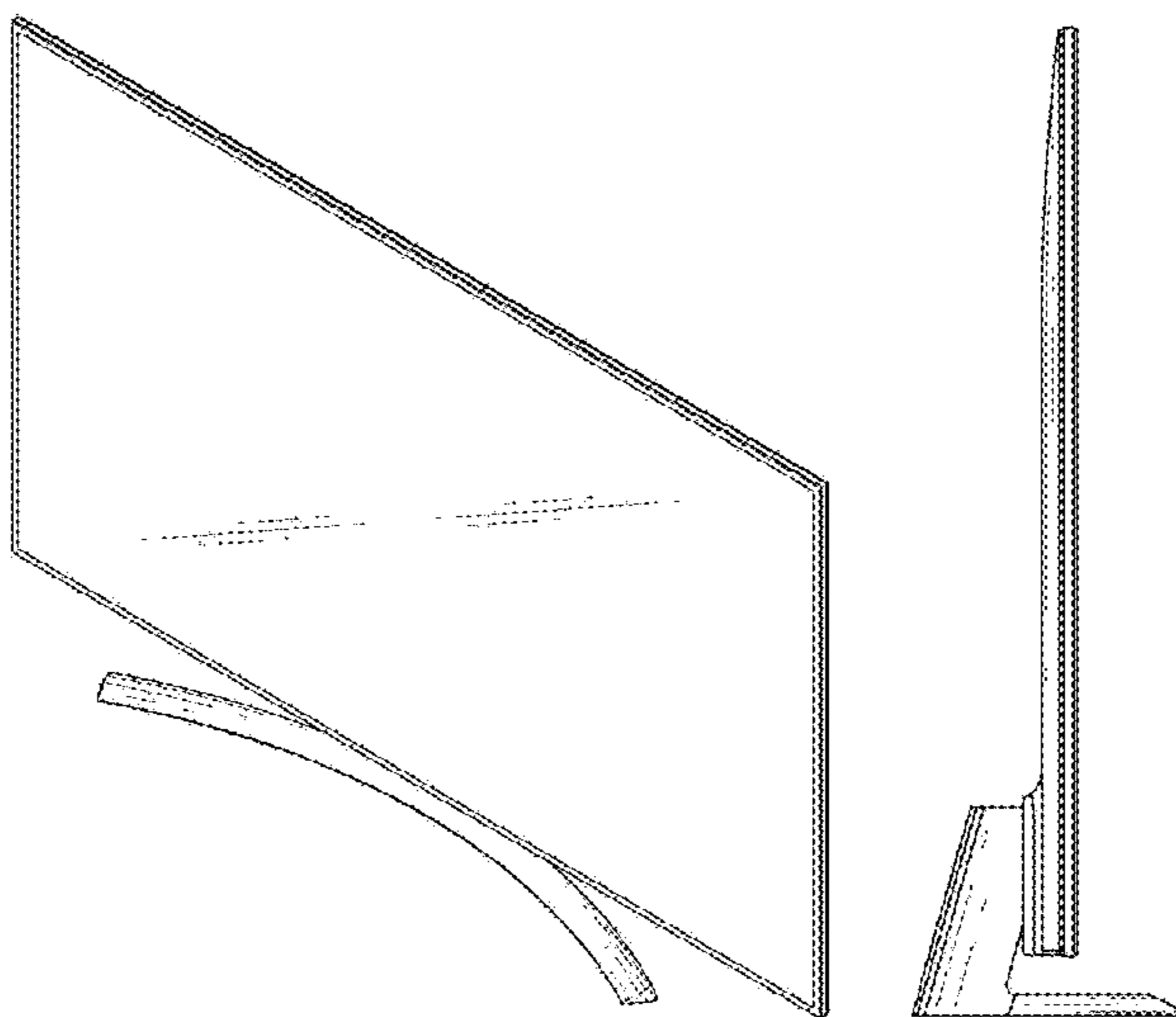
(57) **CLAIM**

The ornamental design for a television receiver, as shown  
and described.

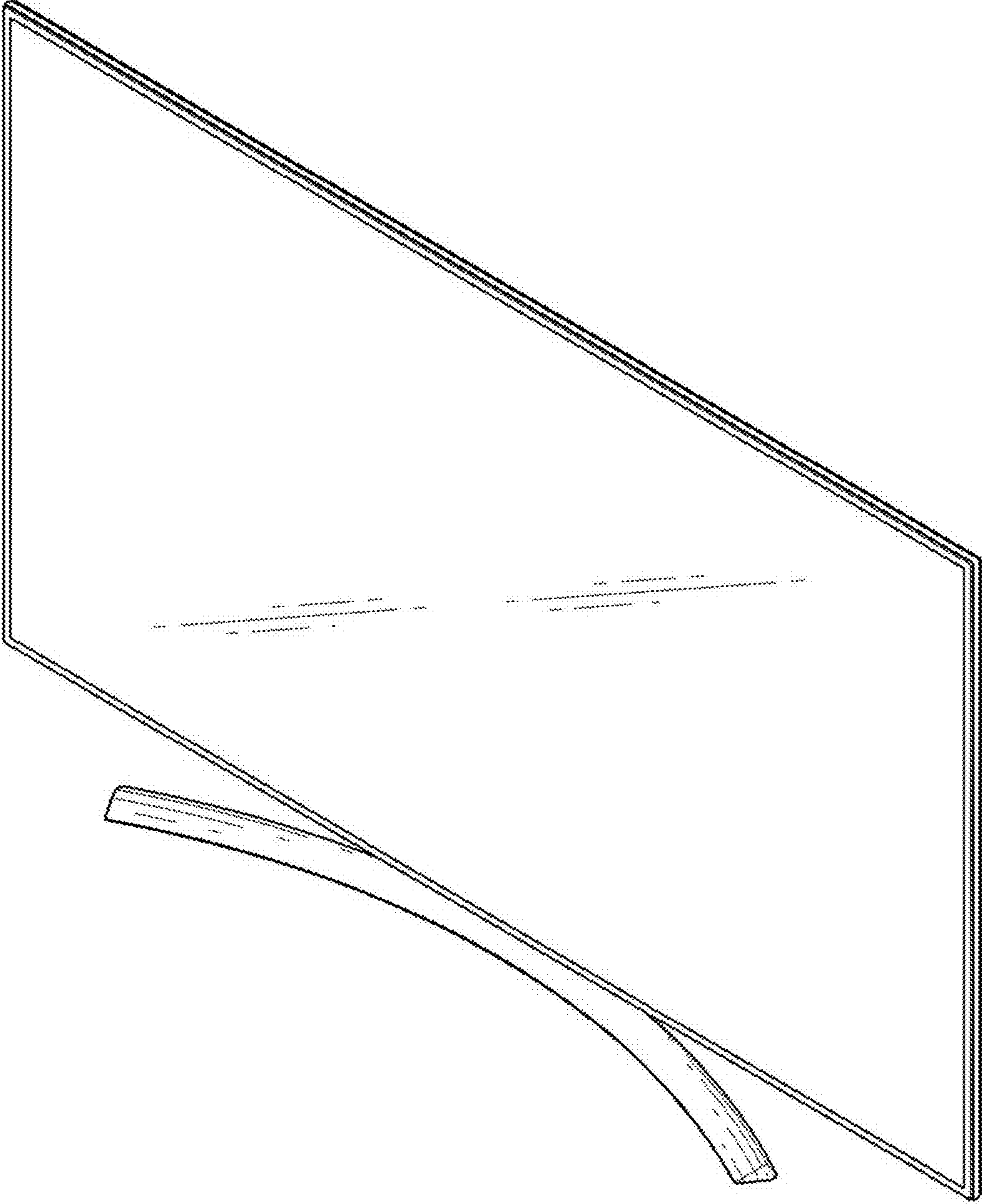
**DESCRIPTION**

- 1. Television receiver
- 1.1 : Perspective
- 1.2 : Front
- 1.3 : Back
- 1.4 : Left
- 1.5 : Right
- 1.6 : Top
- 1.7 : Bottom

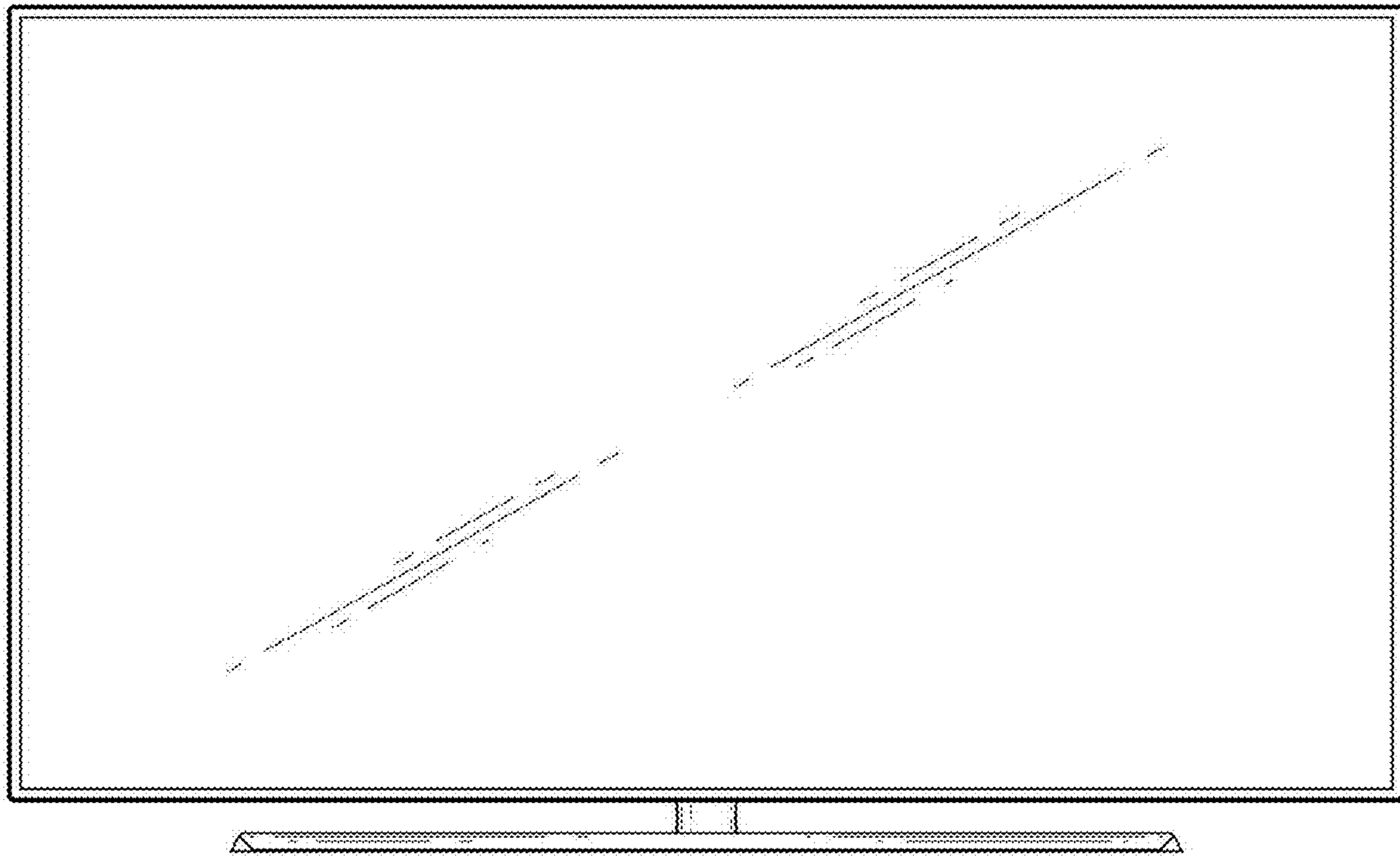
**1 Claim, 7 Drawing Sheets**



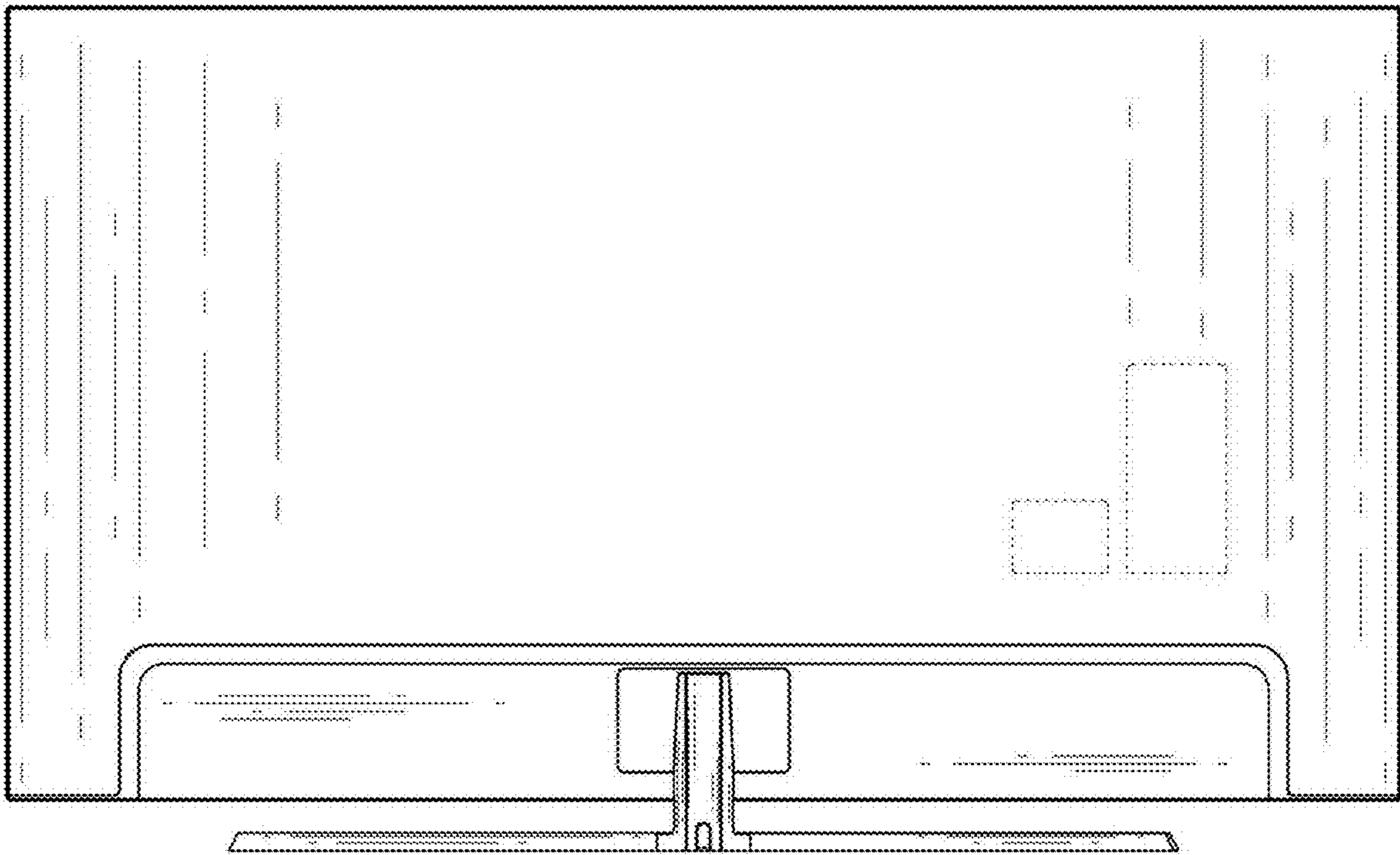
1.1



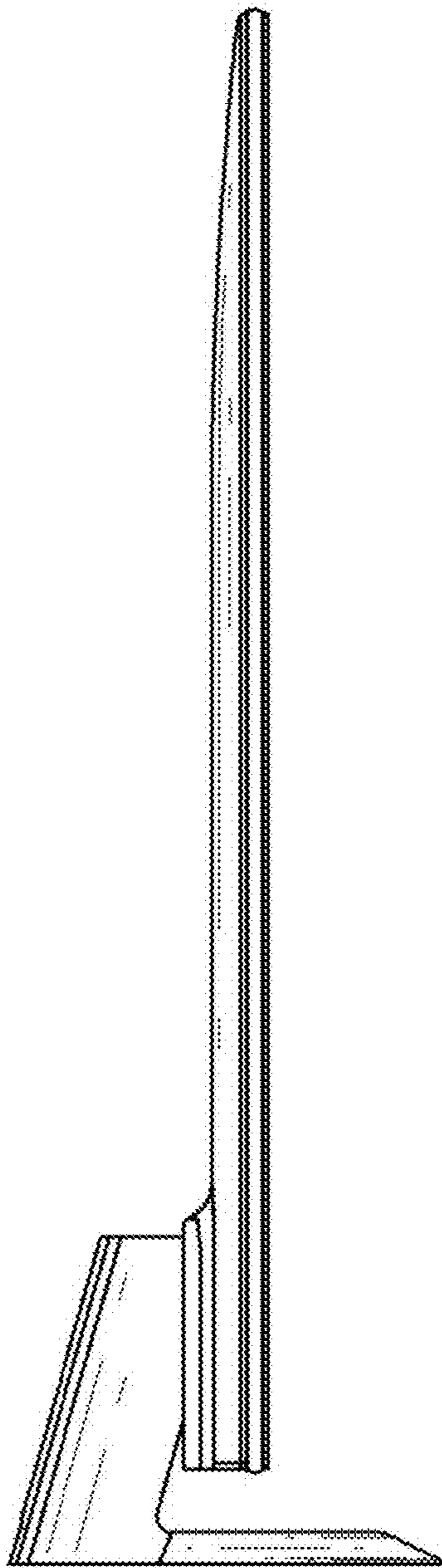
1.2



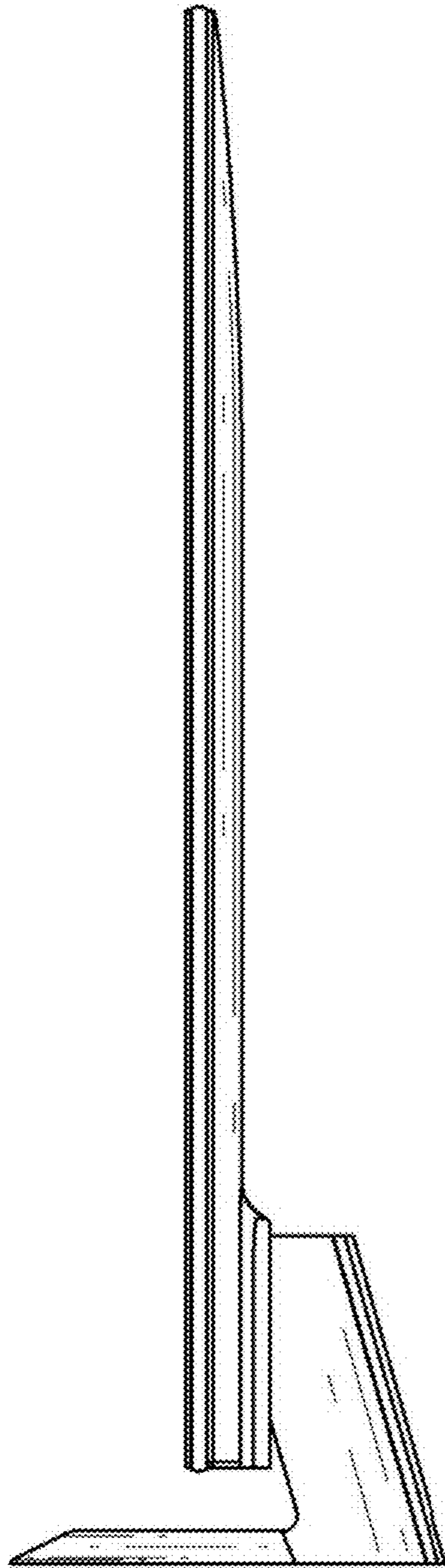
1.3



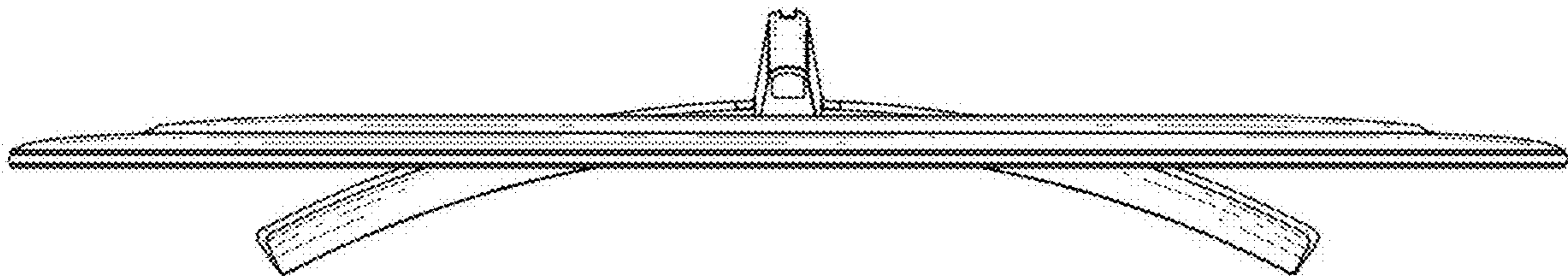
1.4



1.5



1.6



1.7

