



US00D796464S

(12) **United States Design Patent** (10) **Patent No.:** **US D796,464 S**
Kim et al. (45) **Date of Patent:** **** Sep. 5, 2017**

(54) **TELEVISION RECEIVER**

17/04; H04N 17/004; H04N 21/43637;
G02B 6/0068; H05K 5/02; H05K 5/0004;
H05K 5/0017; H05K 5/0217

(71) Applicant: **LG ELECTRONICS INC.**, Seoul
(KR)

See application file for complete search history.

(72) Inventors: **Yeonjin Kim**, Seoul (KR); **Taeho Kim**,
Seoul (KR); **Yongho Lee**, Seoul (KR)

(56)

References Cited

U.S. PATENT DOCUMENTS

(73) Assignee: **LG ELECTRONICS INC.**, Seoul
(KR)

D682,234 S *	5/2013	Lee	D14/126
D708,157 S *	7/2014	Park	D14/126
D708,596 S *	7/2014	Park	D14/126
D716,244 S *	10/2014	Kim	D14/126
D731,994 S *	6/2015	Won	D14/126
D741,273 S *	10/2015	Huh	D14/126
D782,433 S *	3/2017	Lee	D14/126
D782,991 S *	4/2017	Kim	D14/126
D786,245 S *	5/2017	Skinner	D14/374

(**) Term: **15 Years**

(21) Appl. No.: **35/501,166**

(22) Filed: **Jan. 8, 2016**

* cited by examiner

(80) **Hague Agreement Data**

Int. Filing Date: **Jan. 8, 2016**
Int. Reg. No.: **DM/089026**
Int. Reg. Date: **Jan. 8, 2016**
Int. Reg. Pub. Date: **Jul. 8, 2016**

Primary Examiner — Keli L Hill

(74) *Attorney, Agent, or Firm* — Birch, Stewart, Kolasch
& Birch, LLP

(30) **Foreign Application Priority Data**

Jul. 13, 2015 (KR) 30-2015-0035188

(51) **LOC (10) Cl.** **14-03**

(52) **U.S. Cl.**
USPC **D14/126**

(58) **Field of Classification Search**

USPC D14/125, 126, 128, 133, 239, 336, 371,
D14/374-377, 448, 450; D20/10, 19, 39;
D21/329, 515; 312/7.2; 348/180, 184,
348/325, 739, 836, 838; 248/465,
248/917-924; 345/87, 104, 133, 156,
345/168, 173

CPC G06F 1/1601; G06F 1/1643; H04N 5/64;
H04N 5/66; H04N 5/655; H04N 7/00;
H04N 9/3141; H04N 13/0459; H04N

(57) **CLAIM**

The ornamental design for a television receiver, as shown
and described.

DESCRIPTION

1. Television receiver

1.1 : Perspective

1.2 : Front

1.3 : Back

1.4 : Left

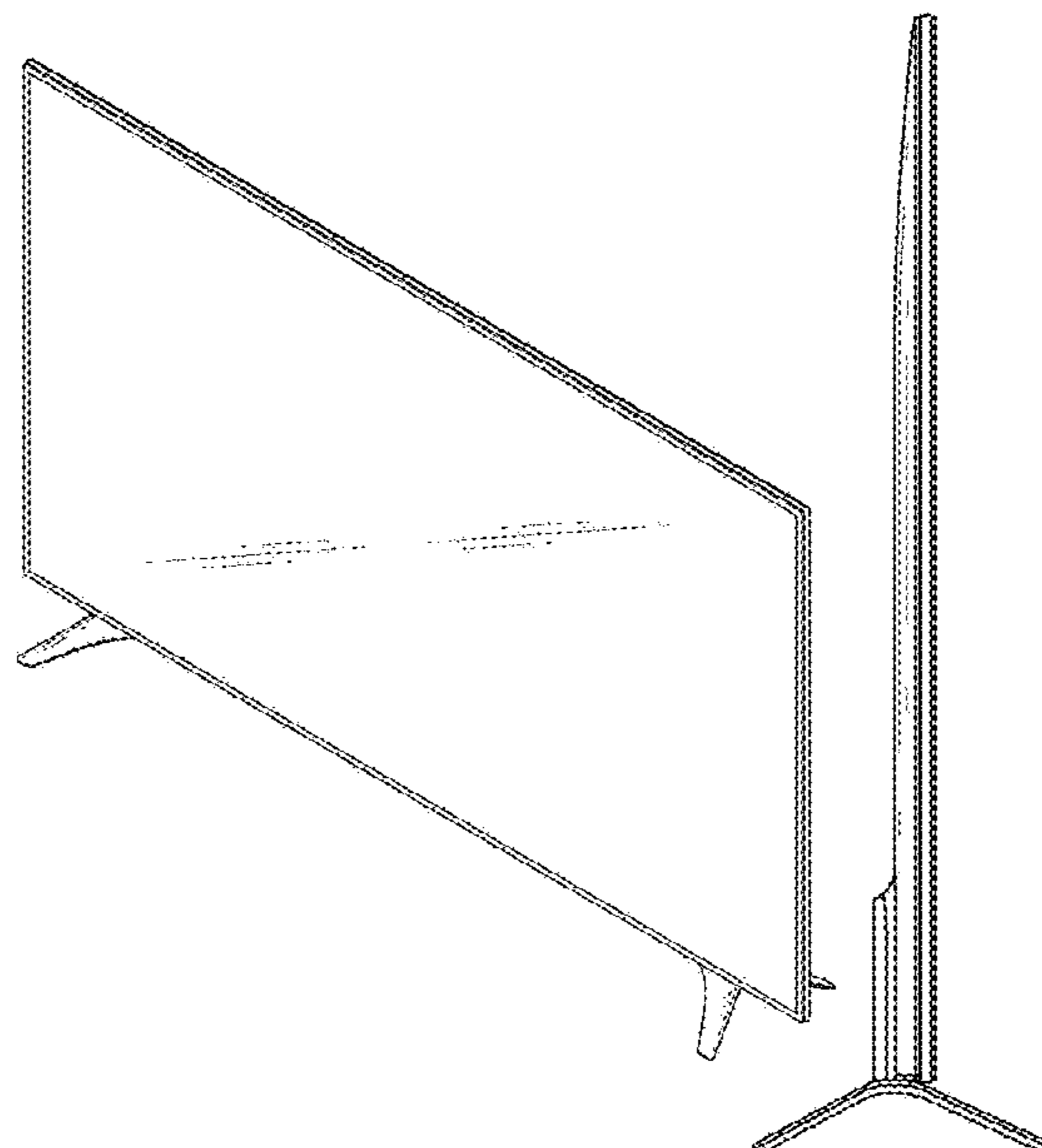
1.5 : Right

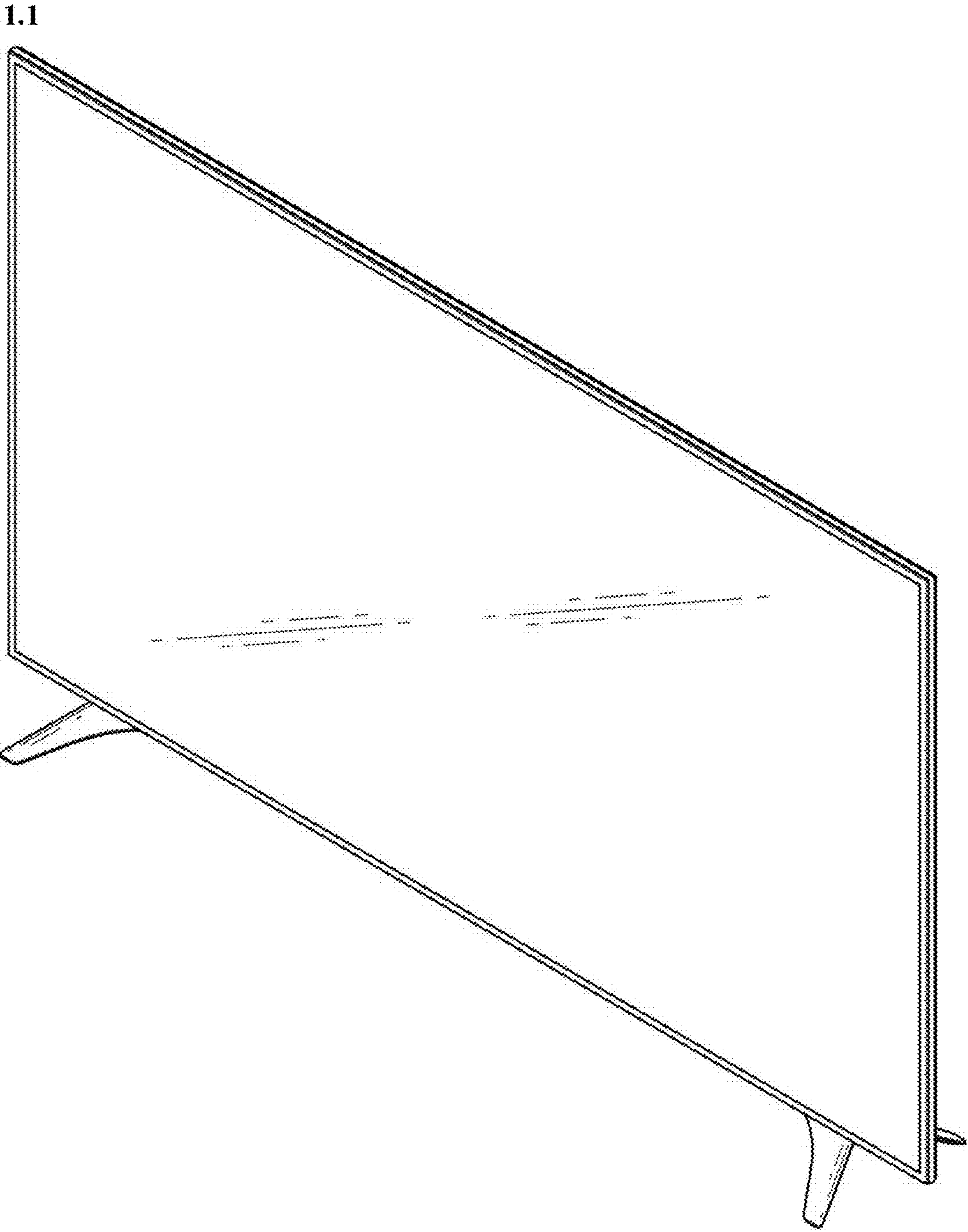
1.6 : Top

1.7 : Bottom

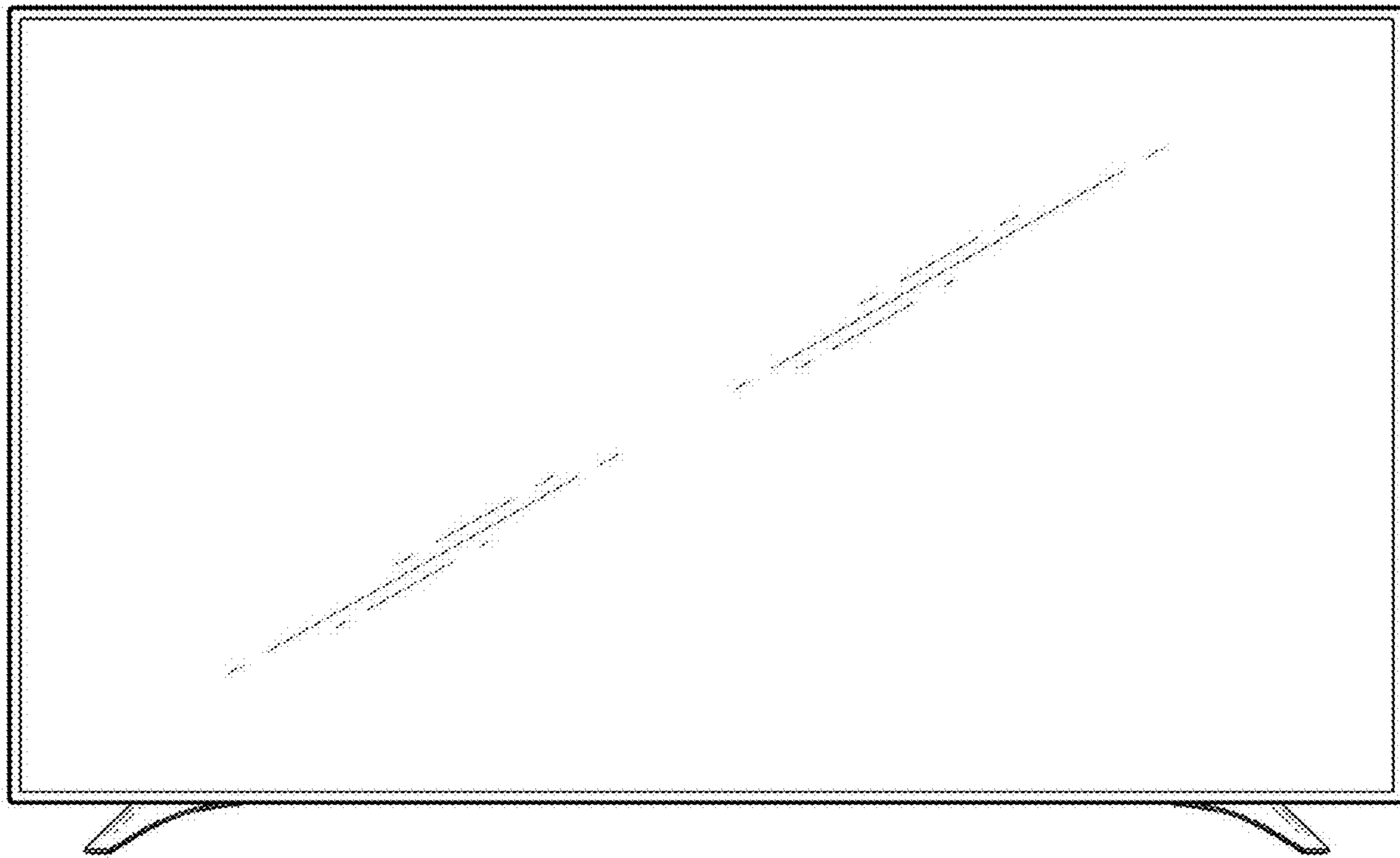
The gist of the present ornamental design is a combination
of shape and pattern of “television receiver”.

1 Claim, 7 Drawing Sheets

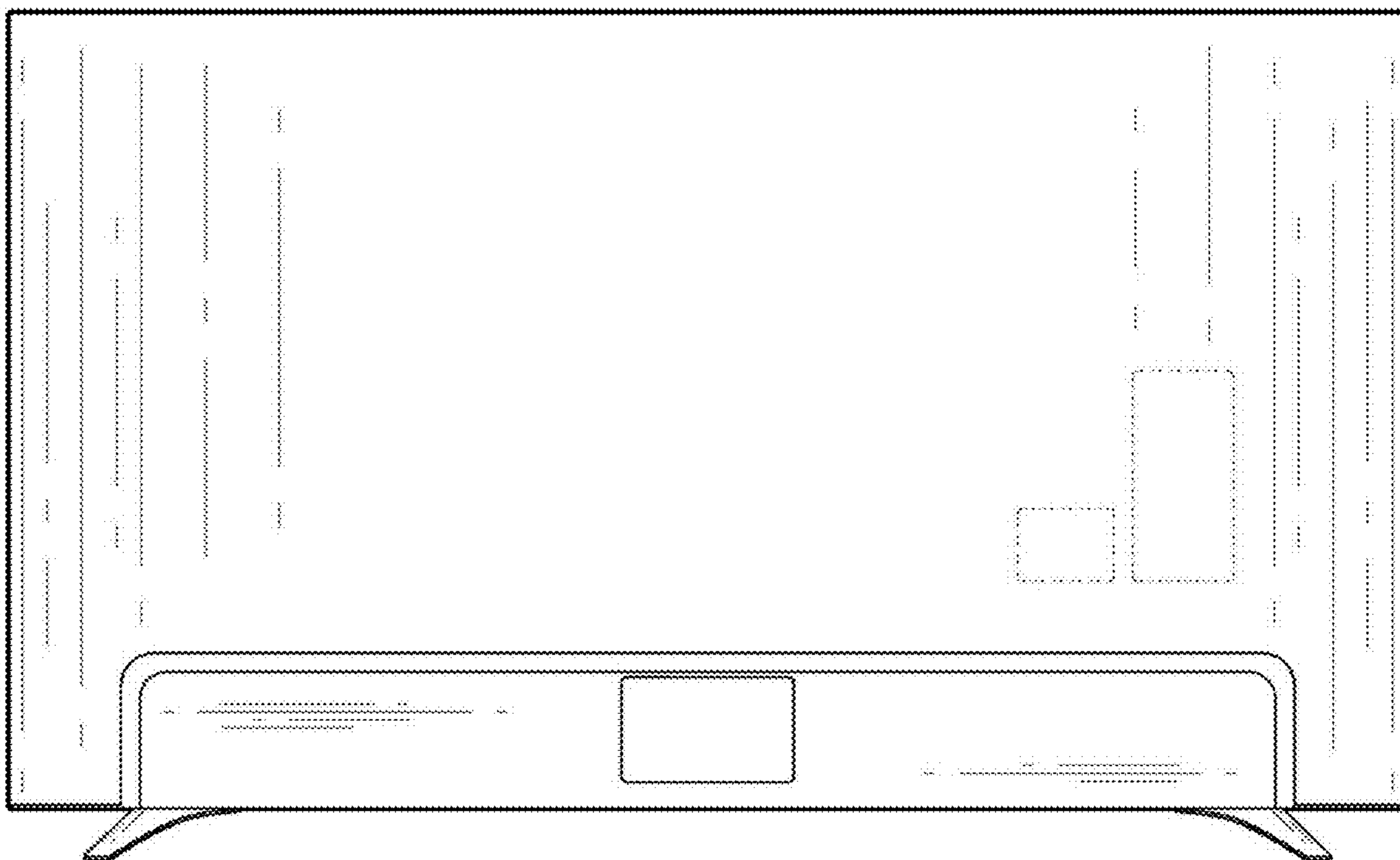




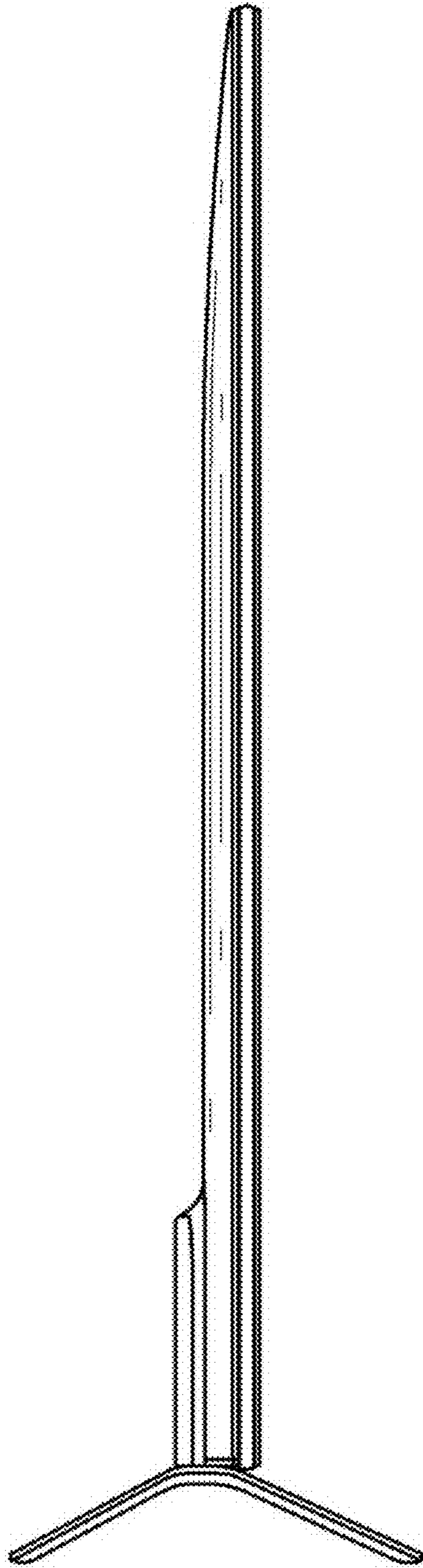
1.2



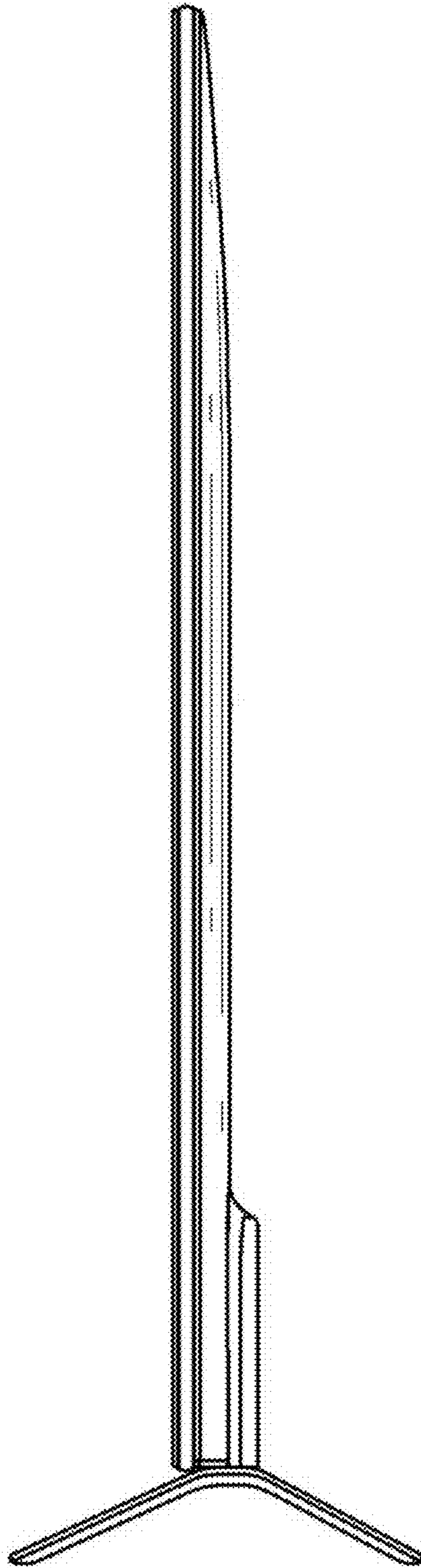
1.3



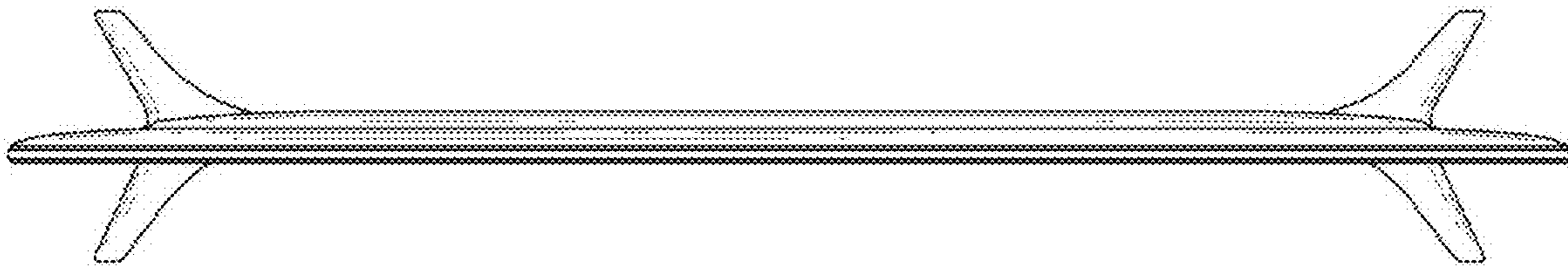
1.4



1.5



1.6



1.7

