



US00D796463S

(12) **United States Design Patent** (10) **Patent No.:** **US D796,463 S**
So et al. (45) **Date of Patent:** **** Sep. 5, 2017**

(54) **TELEVISION RECEIVER**

FOREIGN PATENT DOCUMENTS

(71) Applicant: **Samsung Electronics Co., Ltd.**,
Suwon-si (KR)

EM 001329403-0005 6/2012
JP D1228301 1/2005
KR 300687001 3/2013

(72) Inventors: **Kwanghyuck So**, Seoul (KR); **Su-An Choi**, Seoul (KR)

* cited by examiner

(73) Assignee: **SAMSUNG ELECTRONICS CO., LTD.**, Suwon-si (KR)

Primary Examiner — Randall Gholson

(74) *Attorney, Agent, or Firm* — McAndrews Held & Malloy, Ltd.

(**) Term: **15 Years**

(21) Appl. No.: **29/567,081**

(22) Filed: **Jun. 6, 2016**

(57) **CLAIM**

(30) **Foreign Application Priority Data**

The ornamental design for a television receiver, as shown and described.

Dec. 21, 2015 (KR) 30-2015-0065312

(51) **LOC (10) Cl.** **14-03**

(52) **U.S. Cl.**
USPC **D14/126**

(58) **Field of Classification Search**

USPC D14/125–134, 239, 371, 136, 374–377,
D14/440, 450, 448, 336, 342, 159;
312/7.2; 348/836, 838, 180, 184, 325,
348/739; 248/917–924, 465; 345/104,
345/133, 156, 168, 87, 173; D21/329,
D21/515, 577, 622, 333, 433, 448, 452,
D21/450, 331, 505; D10/15, 26;
446/484, 175, 356; D6/477, 479, 300;
D24/185; D34/14

CPC ... G06F 1/1601; G06F 1/1643; H05K 5/0004;
H05K 5/0017; H05K 5/02; H05K 5/0217

See application file for complete search history.

(56) **References Cited**

U.S. PATENT DOCUMENTS

D644,642 S 9/2011 Chou et al.
D680,508 S * 4/2013 Kim D14/126
D682,232 S * 5/2013 Lee D14/126
D725,616 S * 3/2015 Oh D14/126

DESCRIPTION

FIG. 1 is a front perspective view of a television receiver showing our new design;

FIG. 2 is a front elevation view thereof;

FIG. 3 is a rear elevation view thereof;

FIG. 4 is a left side elevation view thereof;

FIG. 5 is a right side elevation view thereof;

FIG. 6 is a top plan view thereof;

FIG. 7 is a bottom plan view thereof;

FIG. 8 is a rear perspective view thereof;

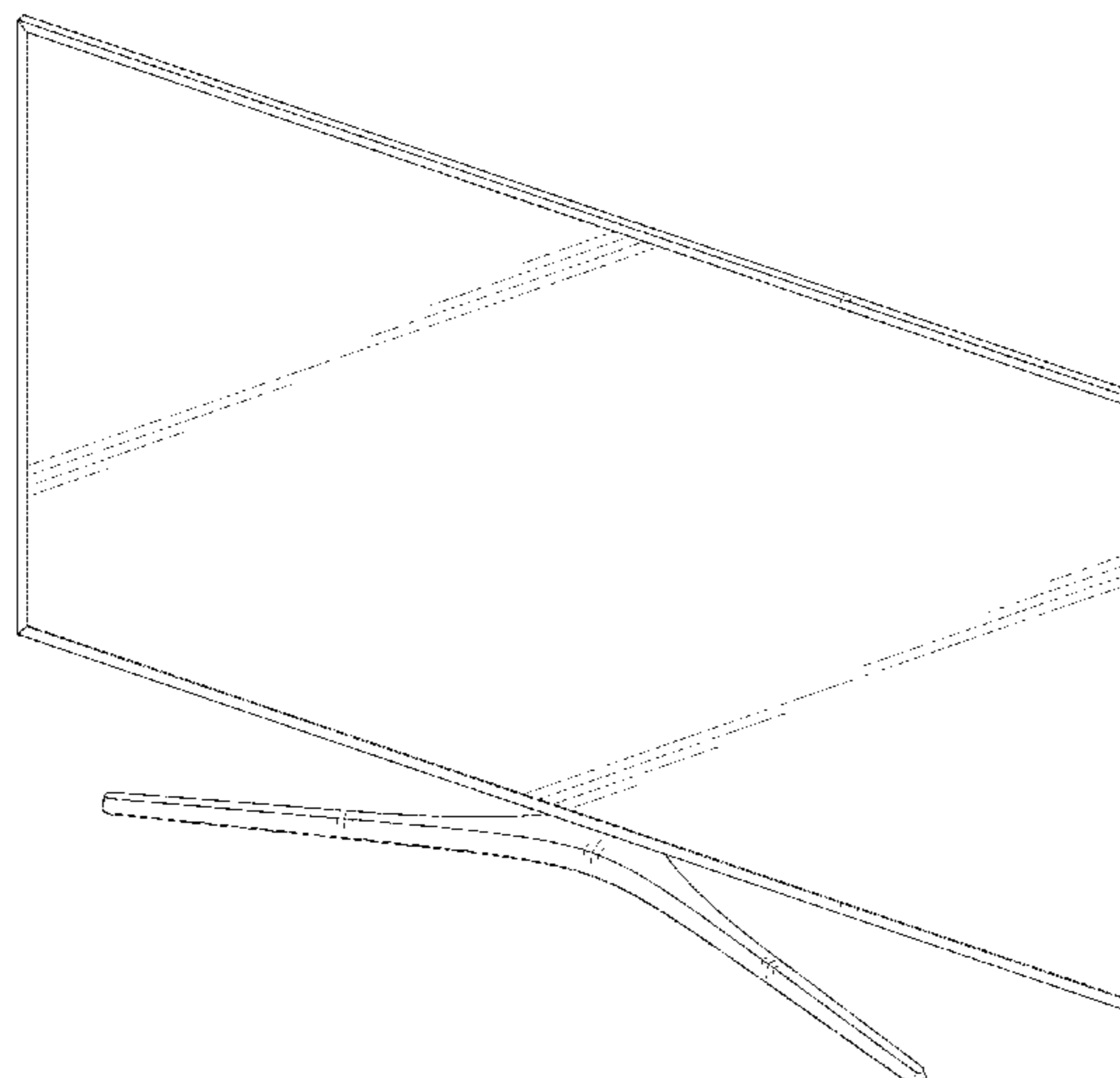
FIG. 9 is an enlarged view of encircled portion 9 as illustrated in FIG. 8; and,

FIG. 10 is an enlarged view of encircled portion 10 as illustrated in FIG. 8.

The dashed broken lines in the figures represent portions of the television receiver that form no part of the claimed design.

The dot-dot-dash broken lines in the figures encircle a portion of the claimed design that is illustrated in enlargements and form no part of the claimed design.

1 Claim, 8 Drawing Sheets



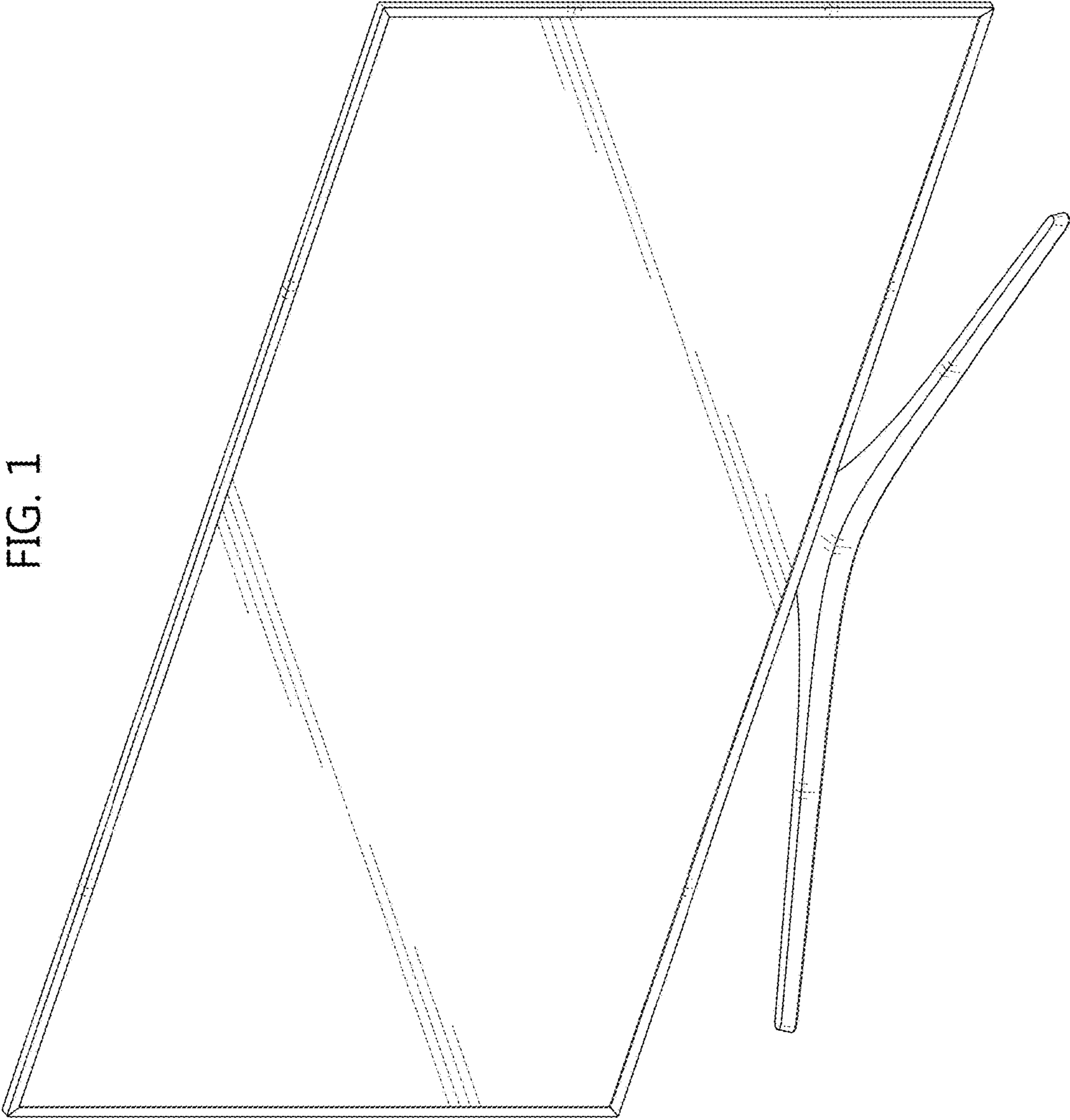


FIG. 1

FIG. 2

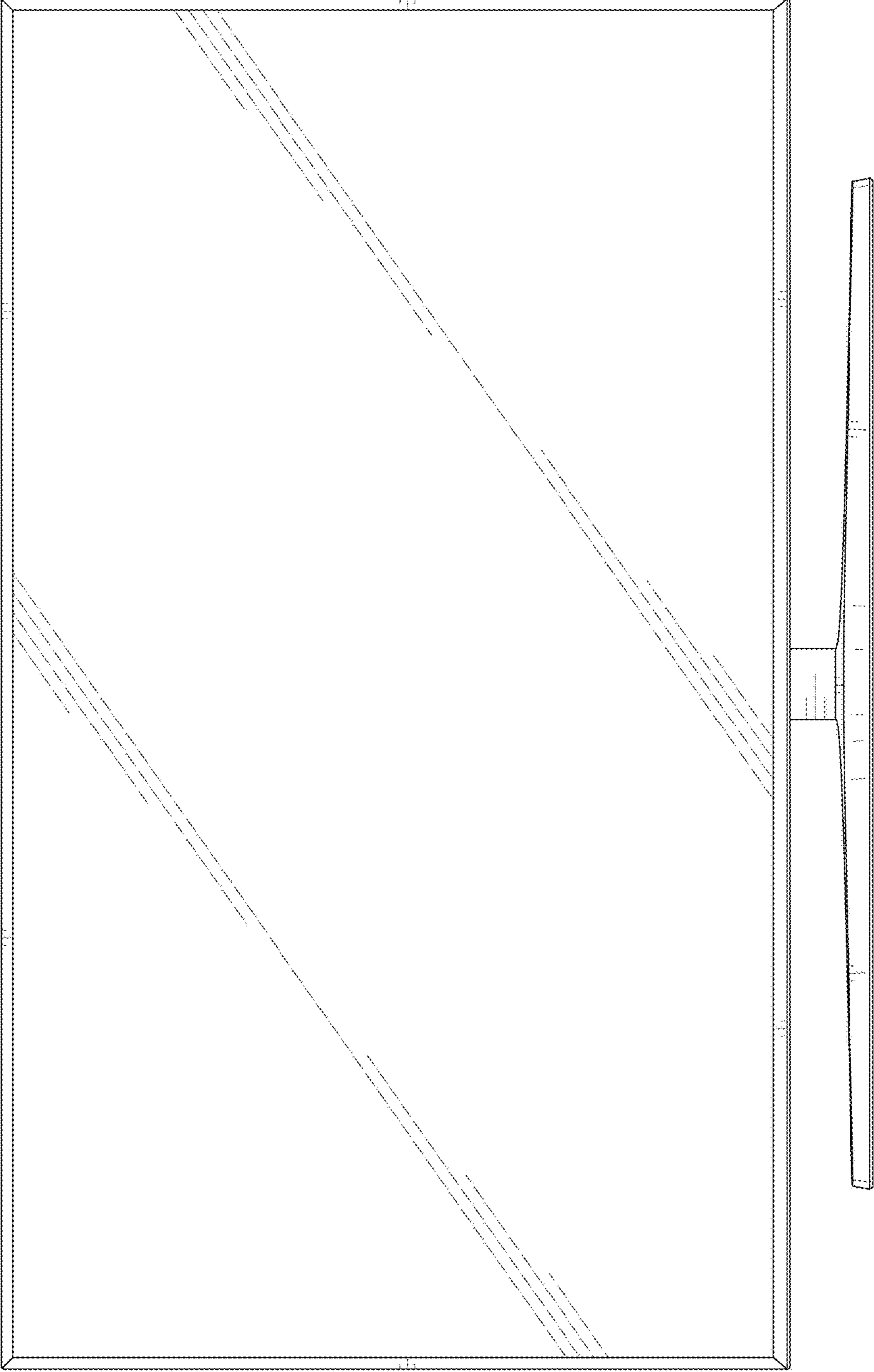


FIG. 3

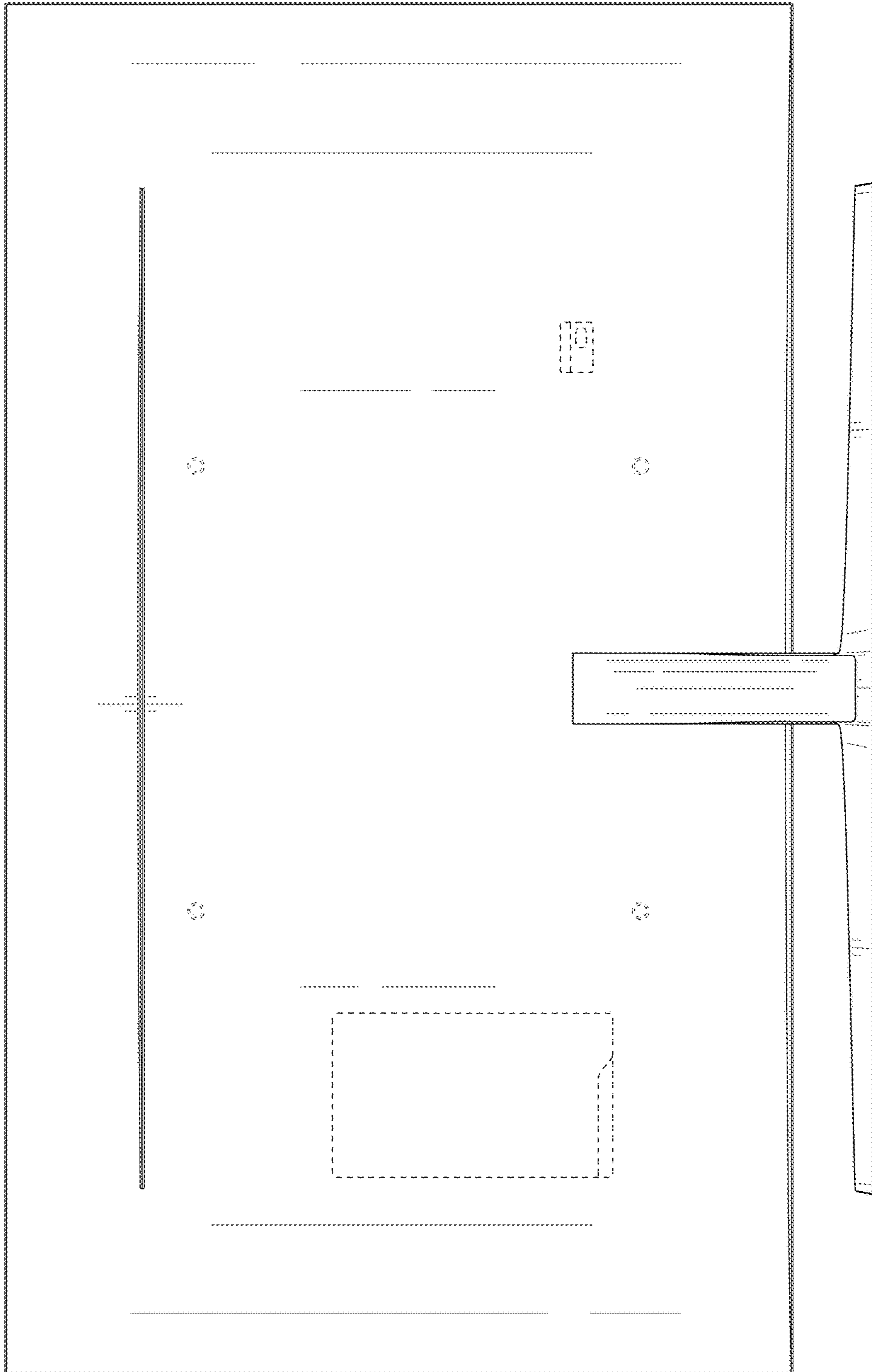


FIG. 5

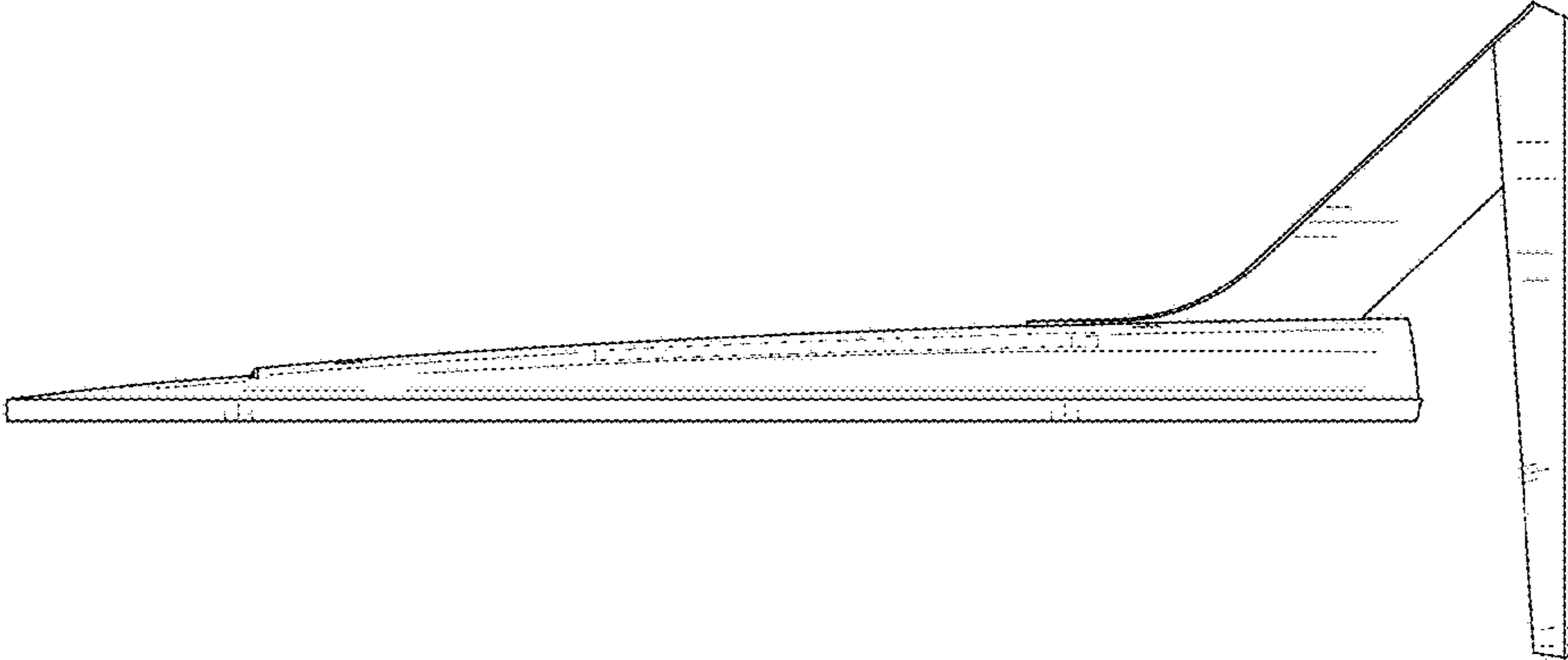


FIG. 4

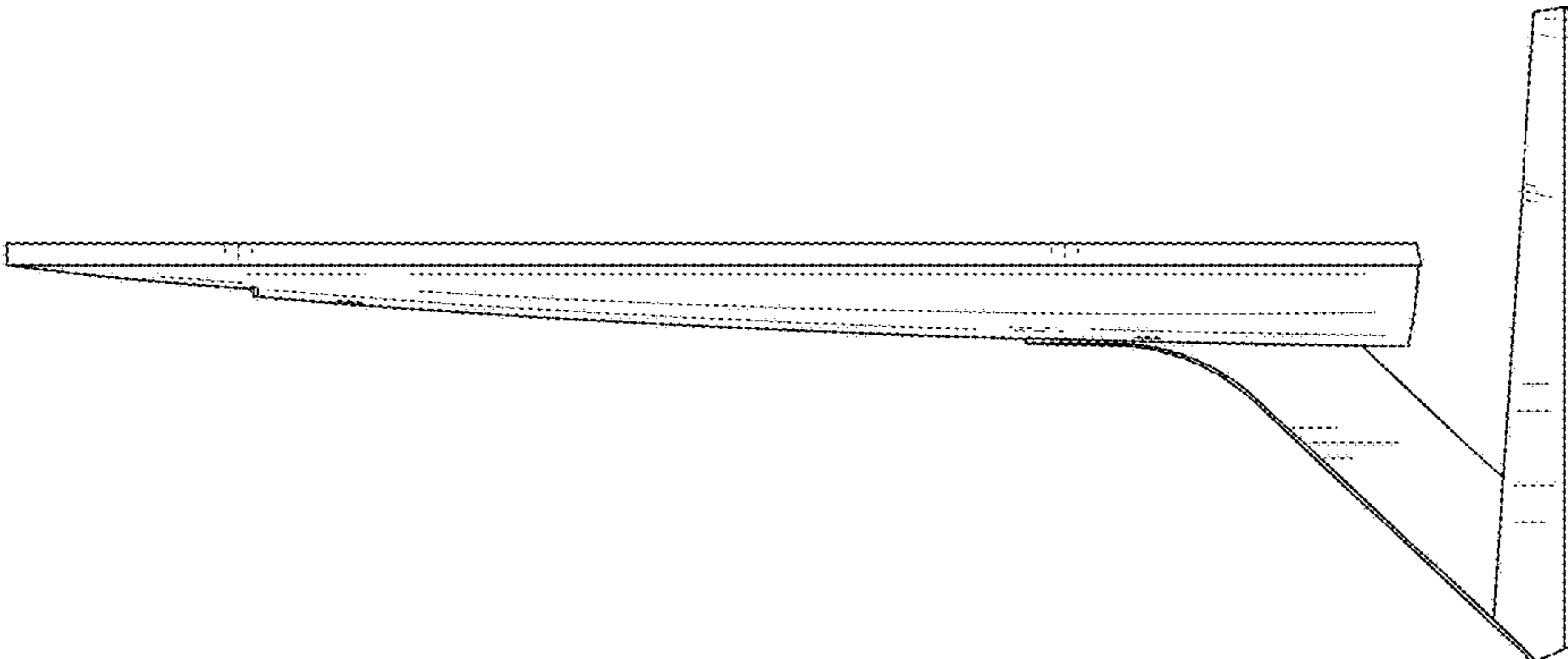


FIG. 6

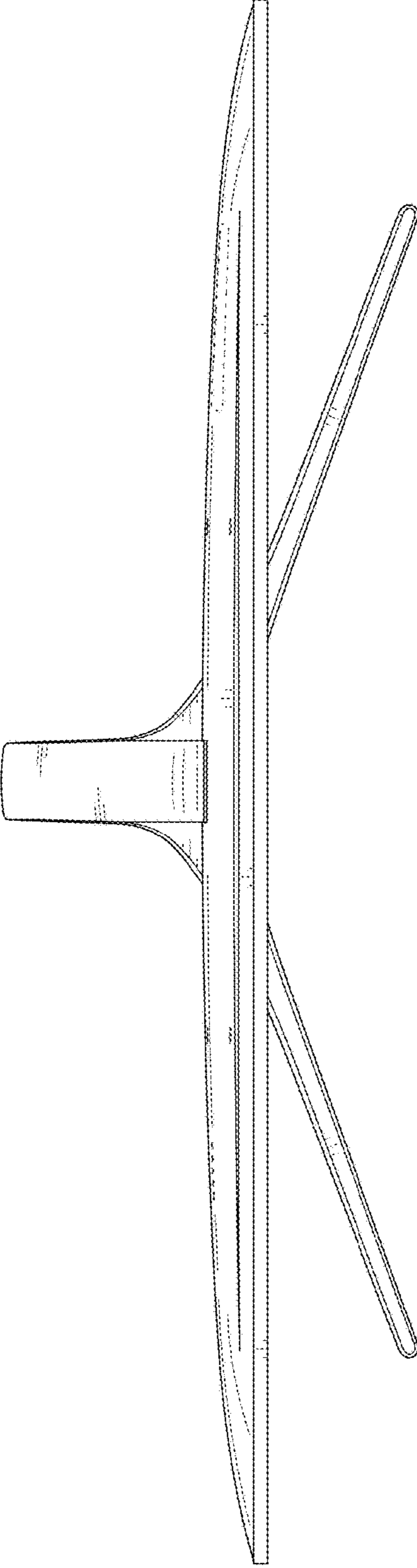
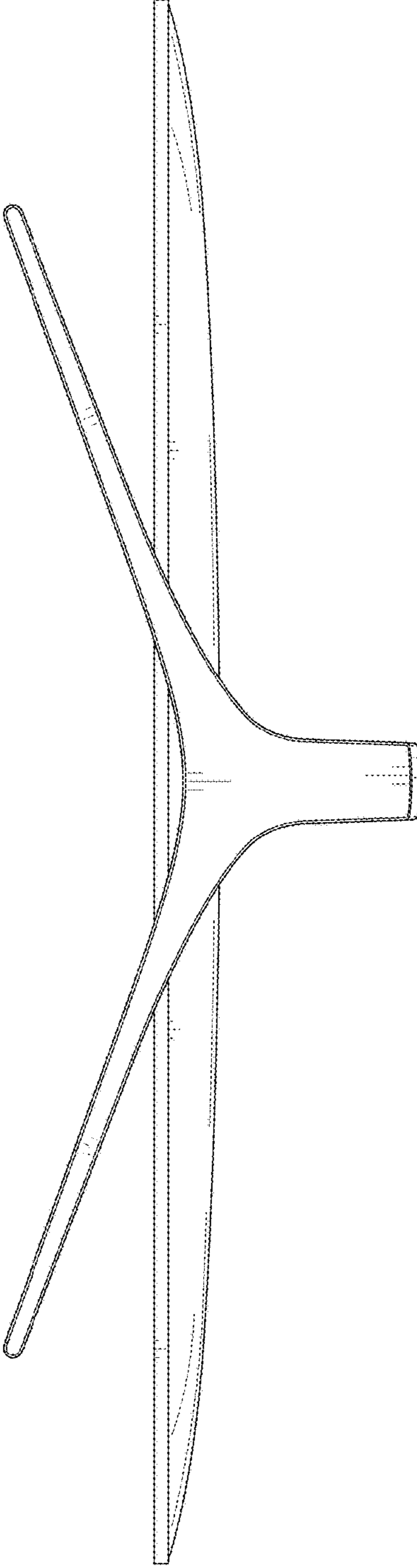


FIG. 7



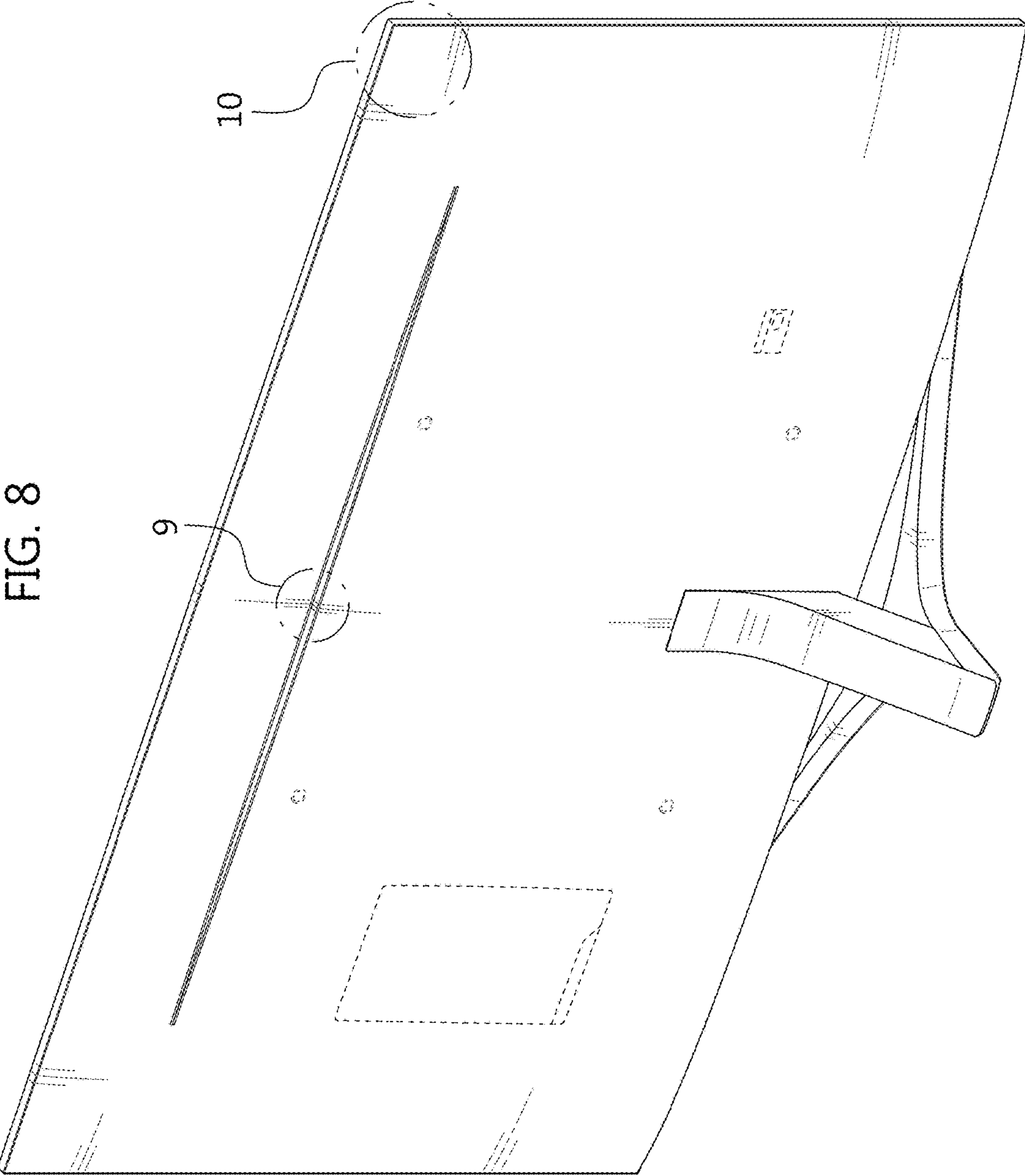


FIG. 9

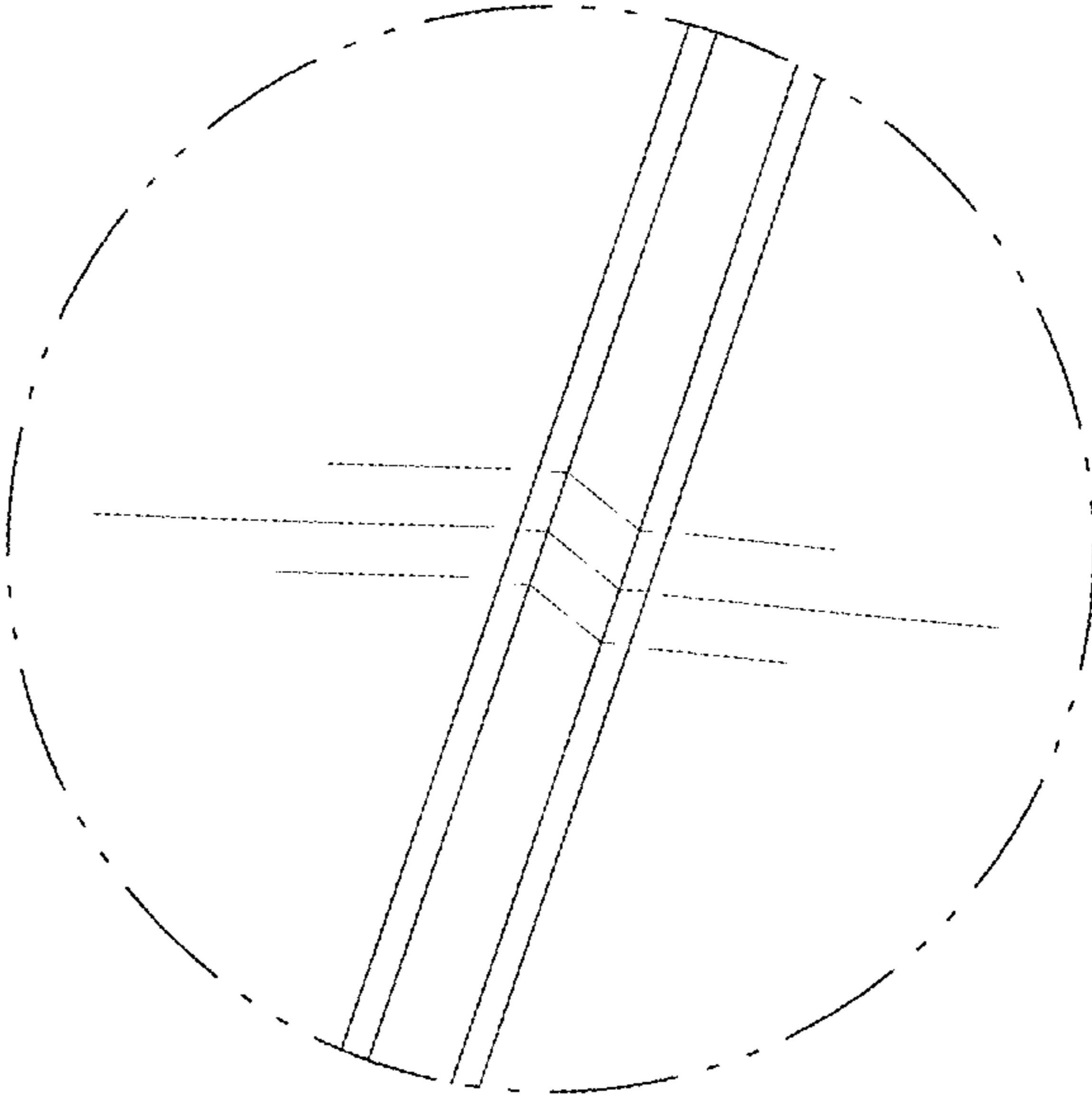


FIG. 10

