



US00D796457S

(12) **United States Design Patent** (10) **Patent No.:** **US D796,457 S**
Funakubo et al. (45) **Date of Patent:** **** Sep. 5, 2017**

(54) **LIGHT EMITTING DIODE**

(56) **References Cited**

(71) Applicants: **CITIZEN ELECTRONICS CO., LTD.**, Yamanashi-ken (JP); **CITIZEN WATCH CO., LTD.**, Tokyo (JP)

(72) Inventors: **Takuya Funakubo**, Yamanashi (JP); **Takeru Ohmori**, Yamanashi (JP)

(73) Assignees: **CITIZEN ELECTRONICS CO., LTD.**, Yamanashi (JP); **CITIZEN WATCH CO., LTD.**, Tokyo (JP)

(**) Term: **15 Years**

(21) Appl. No.: **29/580,166**

(22) Filed: **Oct. 6, 2016**

U.S. PATENT DOCUMENTS

7,586,129	B2	9/2009	Hsu et al.	
D615,052	S	5/2010	Imai et al.	
D669,041	S	10/2012	Imai et al.	
D683,708	S	6/2013	Sasano et al.	
8,455,908	B2*	6/2013	Welch	H01L 25/0753 257/100

8,476,669	B2	7/2013	Liang et al.	
D689,451	S	9/2013	Shimonishi et al.	
D698,322	S	1/2014	Takeda et al.	

(Continued)

FOREIGN PATENT DOCUMENTS

JP	D1414399	5/2011
JP	D1414897	5/2011
JP	D1430595	12/2011

OTHER PUBLICATIONS

U.S. Appl. No. 29/509,861, filed Nov. 21, 2014, Eguchi et al.

Related U.S. Application Data

(62) Division of application No. 29/509,865, filed on Nov. 21, 2014, now Pat. No. Des. 771,579.

Foreign Application Priority Data

May 26, 2014	(JP)	2014-011193
May 26, 2014	(JP)	2014-011196
May 26, 2014	(JP)	2014-011197

(51) **LOC (10) Cl.** **13-03**

(52) **U.S. Cl.**
USPC **D13/180**

(58) **Field of Classification Search**
USPC D13/180; D26/1
CPC ... H01L 25/167; H01L 25/0753; H01L 27/15;
H01L 27/156; H01L 31/02; H01L 33/00;
H01L 33/04; H01L 33/08; H01L 33/10;
H01L 33/20; H01L 33/38; H01L 33/42;
H01L 33/48; H01L 33/483; H01L 33/486
See application file for complete search history.

Primary Examiner — Selina Sikder
(74) *Attorney, Agent, or Firm* — Procopio, Cory, Hargreaves & Savitch LLP

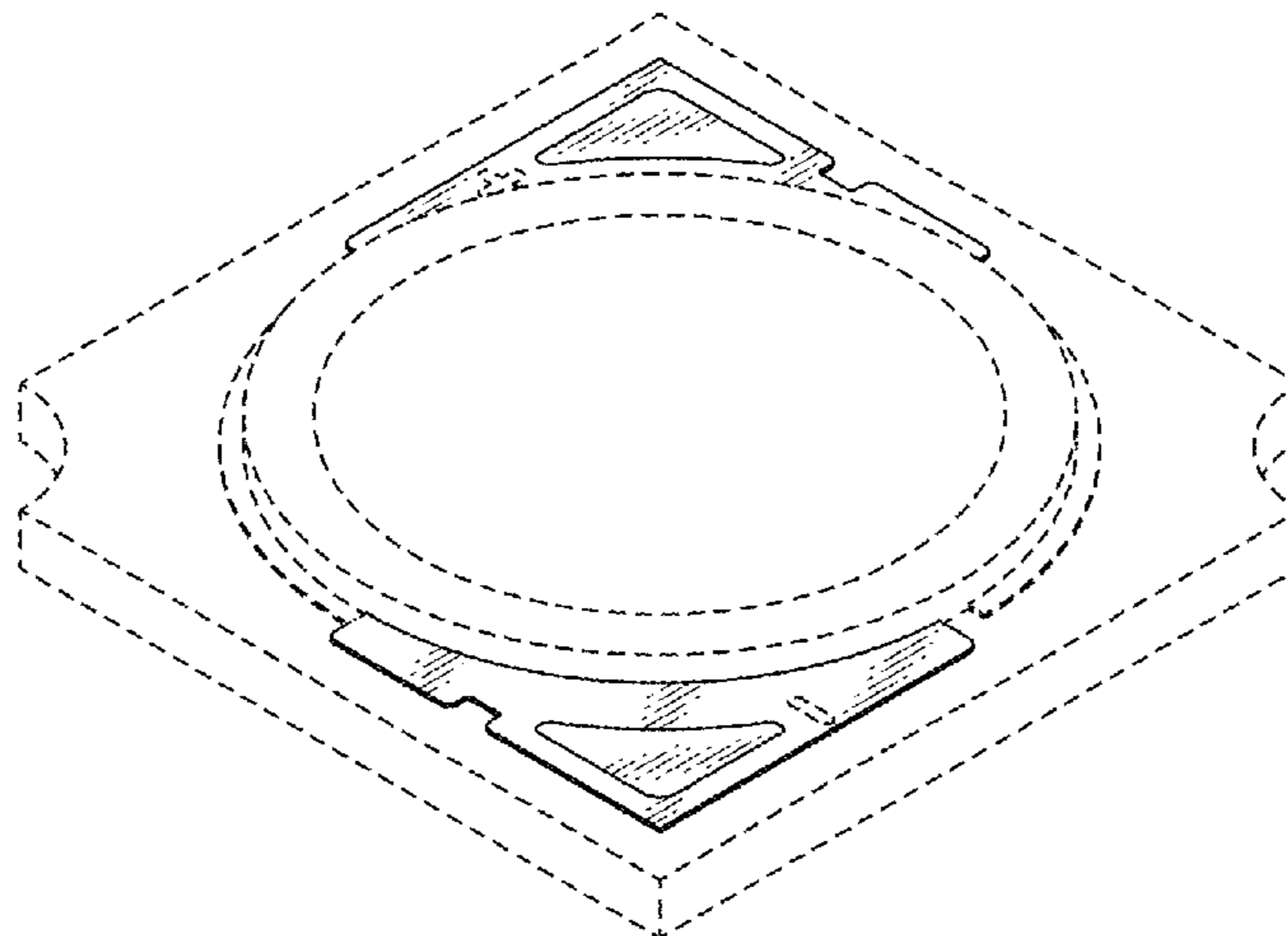
(57) **CLAIM**

The ornamental design for a light emitting diode, as shown and described.

DESCRIPTION

FIG. 1 is a perspective view of a second embodiment of a light emitting diode showing our new design; FIG. 2 is a top plan view thereof; FIG. 3 is a front view thereof; FIG. 4 is a rear view thereof; FIG. 5 is a left side elevational view thereof; FIG. 6 is a right side elevational view thereof; and, FIG. 7 is a bottom plan view thereof. The broken lines shown in the drawings are for illustrative purposes only and form no part of the claimed design.

1 Claim, 5 Drawing Sheets



(56)

References Cited

U.S. PATENT DOCUMENTS

8,632,226	B2	1/2014	Hata et al.	
8,696,159	B2	4/2014	Andrews et al.	
D706,231	S	6/2014	Hussell et al.	
D707,192	S	6/2014	Hussell et al.	
8,772,819	B2	7/2014	Hwu et al.	
8,833,982	B2 *	9/2014	Funakubo	F21V 21/00 313/46
D721,339	S	1/2015	Hussell et al.	
D727,273	S *	4/2015	Oka	D13/180
9,018,832	B2	4/2015	Agatani et al.	
D750,581	S *	3/2016	Eguchi	D13/180
D767,515	S *	9/2016	Eguchi	D13/180
D770,987	S *	11/2016	Ishimori	D13/180
D771,579	S *	11/2016	Eguchi	D13/180
9,490,235	B2 *	11/2016	Edmond	H01L 25/0753
D778,246	S *	2/2017	Kuriki	D13/180
2006/0231852	A1	10/2006	Kususe et al.	
2015/0146425	A1 *	5/2015	Huang	F21K 9/00 362/249.02

* cited by examiner

FIG. 1

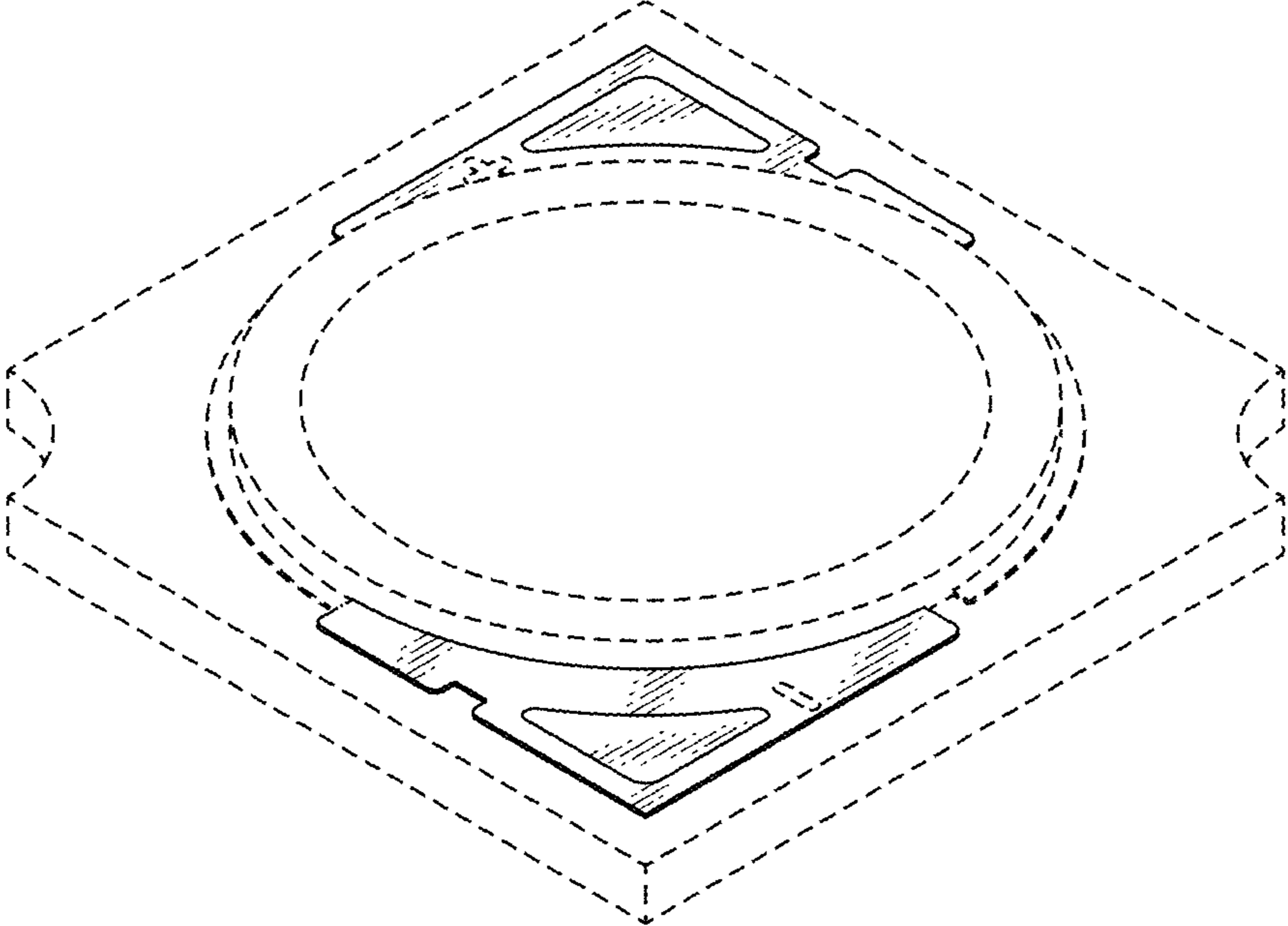


FIG. 2

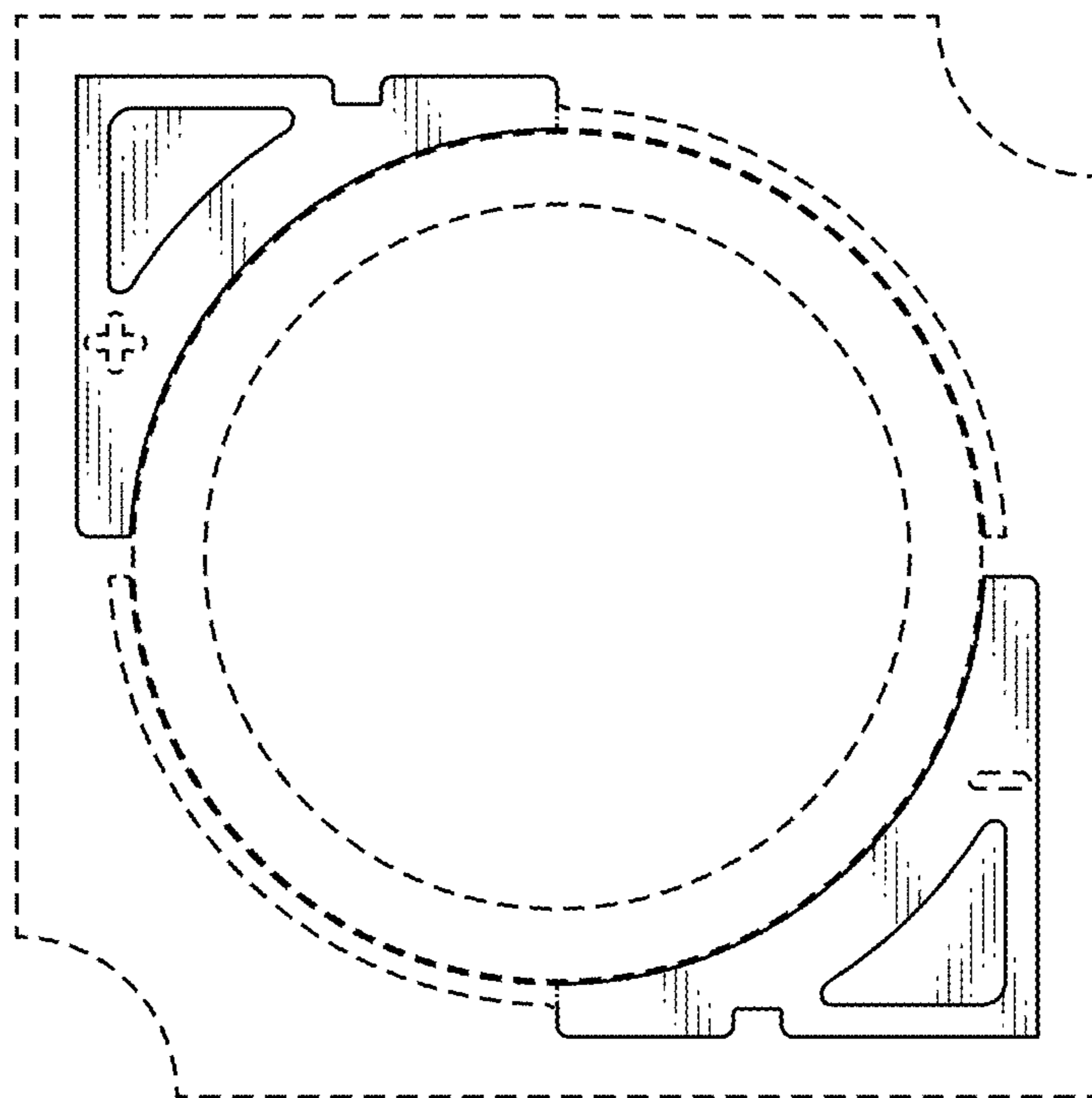


FIG. 3

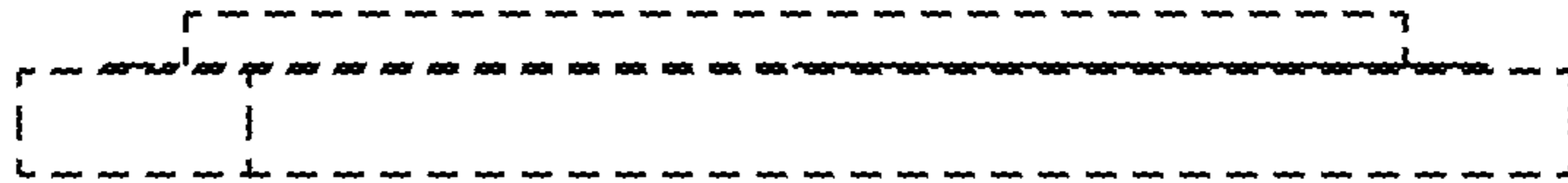


FIG. 4

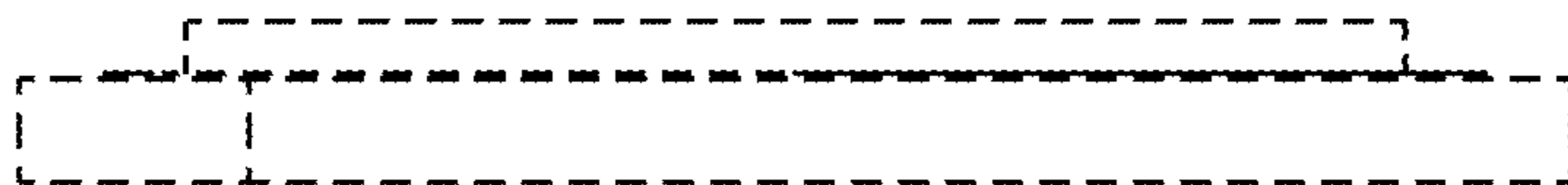


FIG. 5

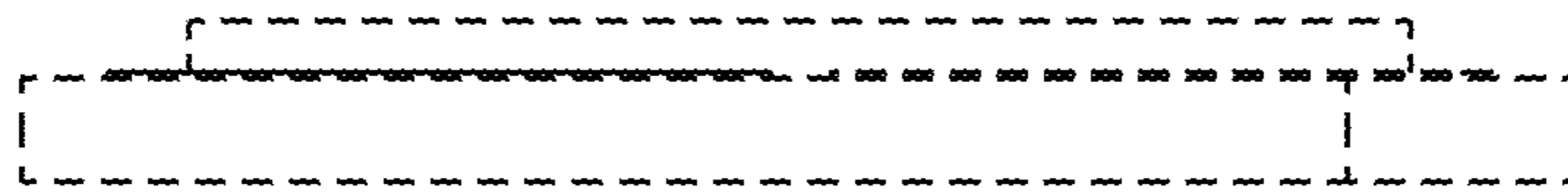


FIG. 6

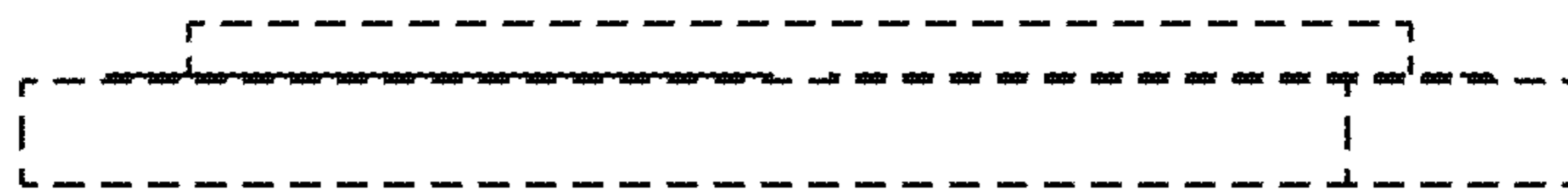


FIG. 7

