



US00D796456S

(12) **United States Design Patent** (10) **Patent No.:** **US D796,456 S**
Lee et al. (45) **Date of Patent:** **** Sep. 5, 2017**

(54) **LIGHT EMITTING DIODE PACKAGE**

(71) Applicant: **Genesis Photonics Inc.**, Tainan (TW)

(72) Inventors: **Hao-Chung Lee**, Tainan (TW);
Yu-Feng Lin, Tainan (TW); **Xun-Xain Zhan**, Tainan (TW)

(73) Assignee: **Genesis Photonics Inc.**, Tainan (TW)

(**) Term: **15 Years**

(21) Appl. No.: **29/568,192**

(22) Filed: **Jun. 16, 2016**

Related U.S. Application Data

(63) Continuation of application No. 29/522,733, filed on Apr. 2, 2015, now Pat. No. Des. 761,214.

(51) **LOC (10) Cl.** **13-03**

(52) **U.S. Cl.**
USPC **D13/180**

(58) **Field of Classification Search**

USPC D13/180; D26/1
CPC ... H01L 25/167; H01L 25/0753; H01L 27/15;
H01L 27/156; H01L 31/02; H01L 33/00;
H01L 33/04; H01L 33/08; H01L 33/10;
H01L 33/20; H01L 33/38; H01L 33/42;
H01L 33/48; H01L 33/62; H01L 33/483;
H01L 33/486; F21K 9/00; F21K 9/30;
F21K 9/54

See application file for complete search history.

(56) **References Cited**

U.S. PATENT DOCUMENTS

D636,900 S * 4/2011 Chou D26/1
D646,644 S * 10/2011 Chen D13/180

D646,645 S * 10/2011 Chen D13/180
D646,646 S * 10/2011 Chen D13/180
D647,491 S * 10/2011 Chen D13/180
D660,811 S * 5/2012 Miyoshi D13/180
D677,228 S * 3/2013 Miyoshi D13/180
8,581,284 B2 * 11/2013 Seko F21S 48/1154
257/100
9,379,094 B2 * 6/2016 Wada H01L 33/505
D761,213 S * 7/2016 Lee D13/180
D761,214 S * 7/2016 Lee D13/180
D768,093 S * 10/2016 Wada D13/180
2014/0239320 A1 * 8/2014 Miyoshi H01L 25/0753
257/88
2016/0282625 A1 * 9/2016 Fleck G02B 27/0172
2016/0284666 A1 * 9/2016 Lee H01L 33/60

* cited by examiner

Primary Examiner — Selina Sikder

(74) *Attorney, Agent, or Firm* — Jianq Chyun IP Office

(57) **CLAIM**

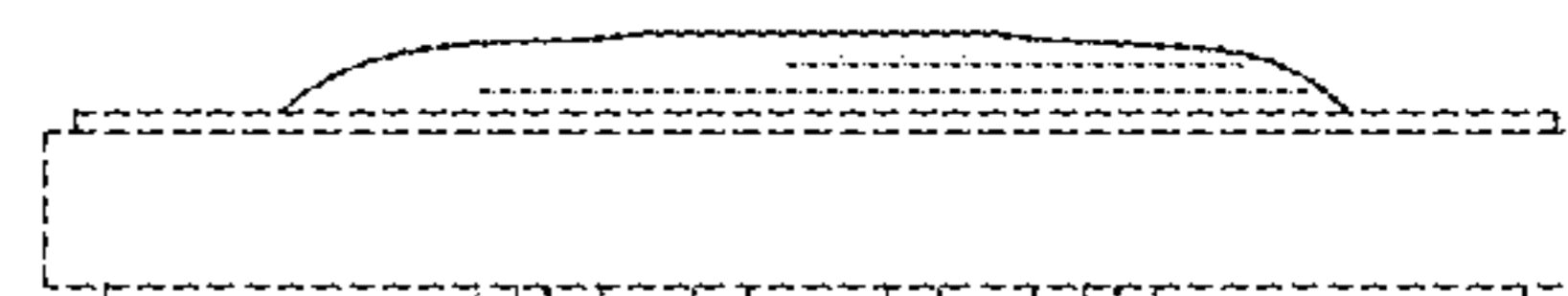
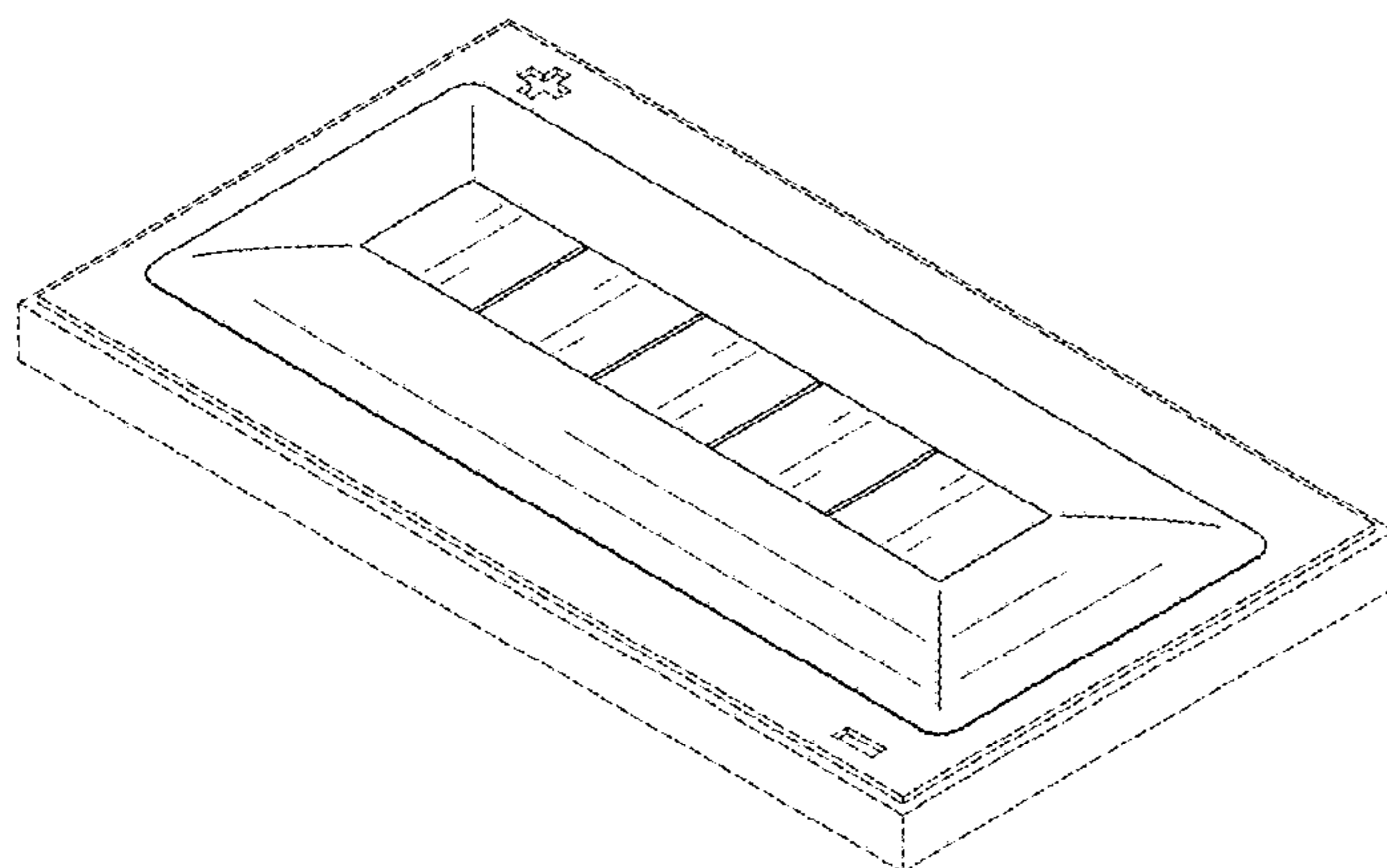
The ornamental design for a light emitting diode package, as shown and described.

DESCRIPTION

FIG. 1 is a perspective view of a light emitting diode package showing our new design;
FIG. 2 is a front view thereof;
FIG. 3 is a rear view thereof;
FIG. 4 is a left side view thereof;
FIG. 5 is a right side view thereof;
FIG. 6 is top view thereof; and,
FIG. 7 is a bottom view thereof.

The broken lines are for the purpose of illustrating portions of the light emitting diode package form no part of the claimed design. The light shade lines on the surface portions indicate contour and not surface decoration.

1 Claim, 5 Drawing Sheets



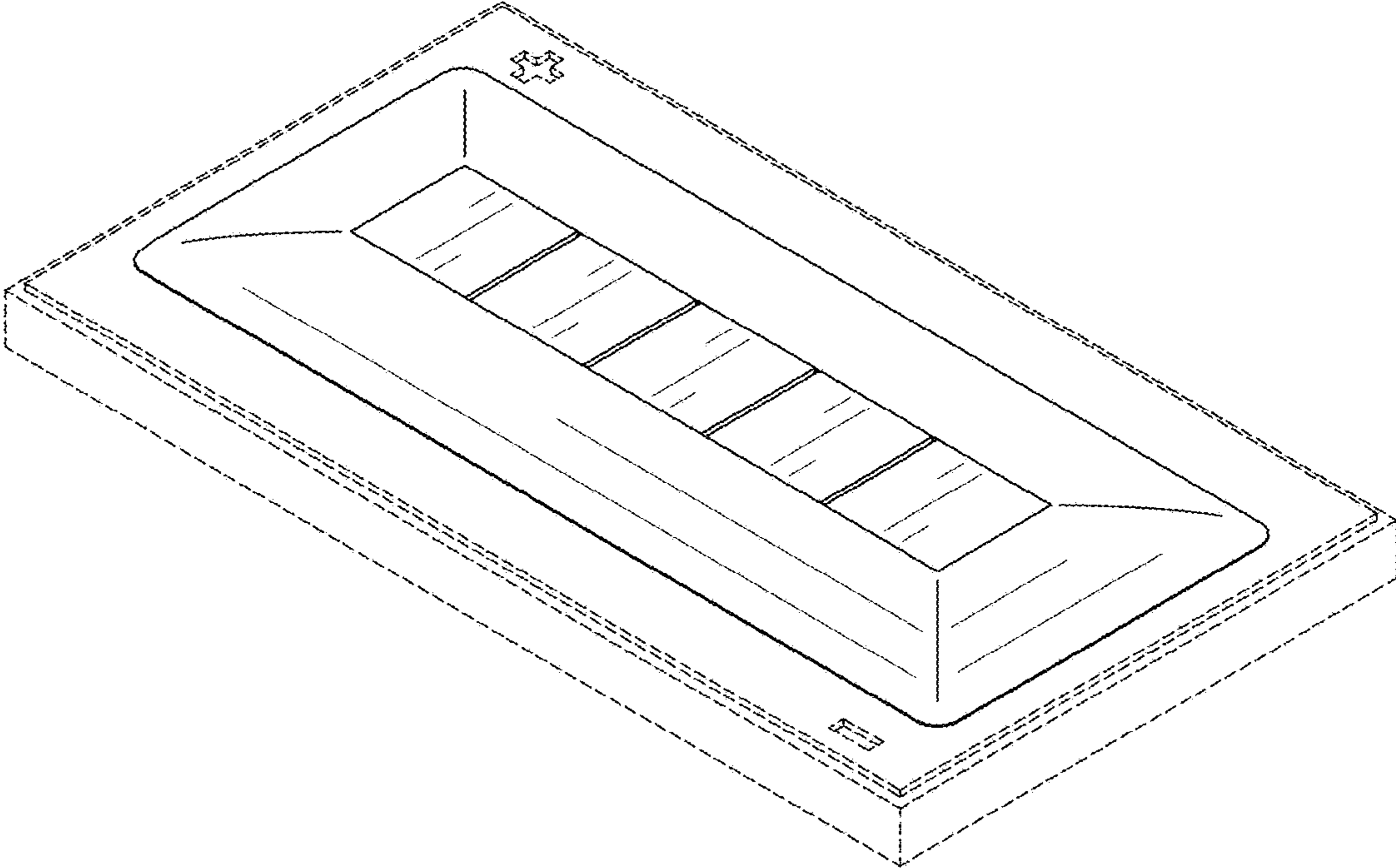


FIG. 1

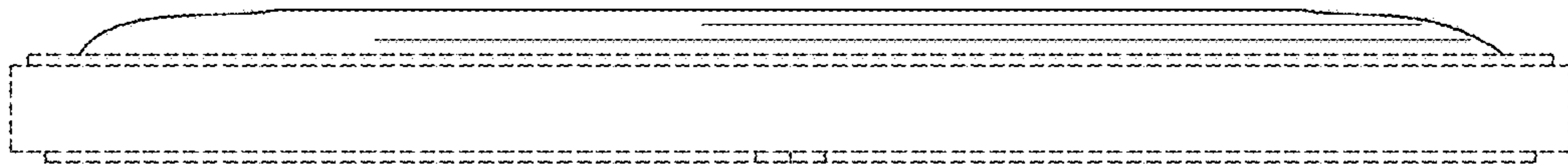


FIG. 2

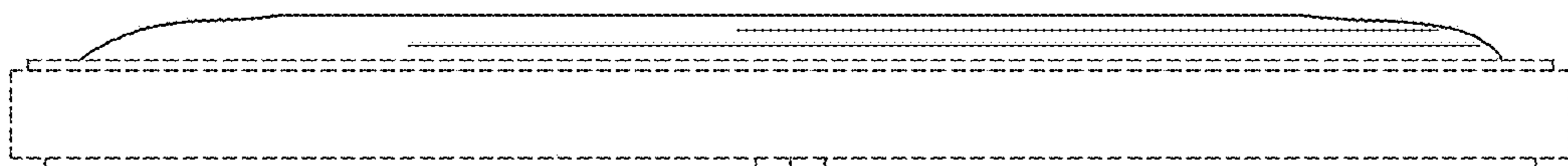


FIG. 3

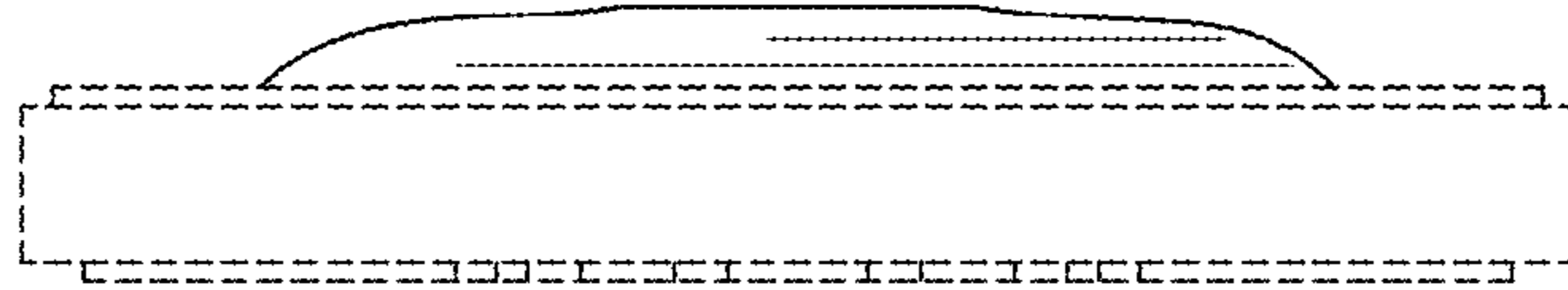


FIG. 4

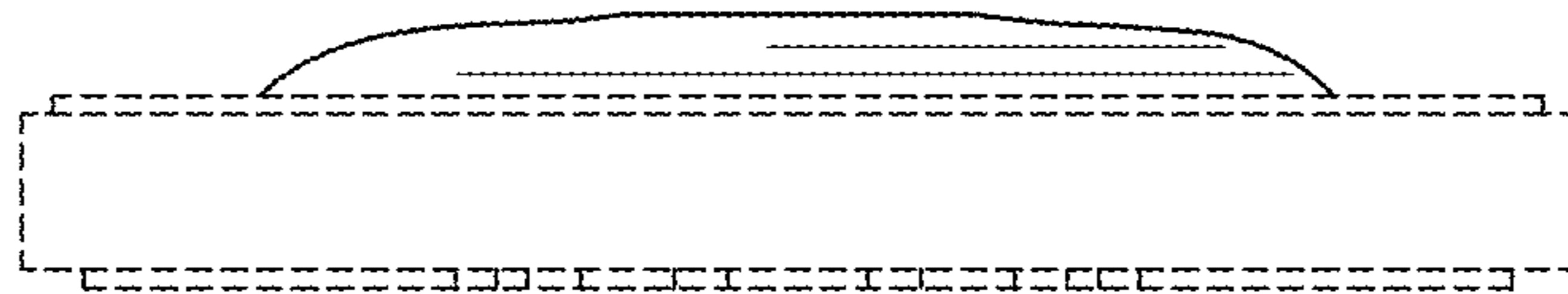


FIG. 5

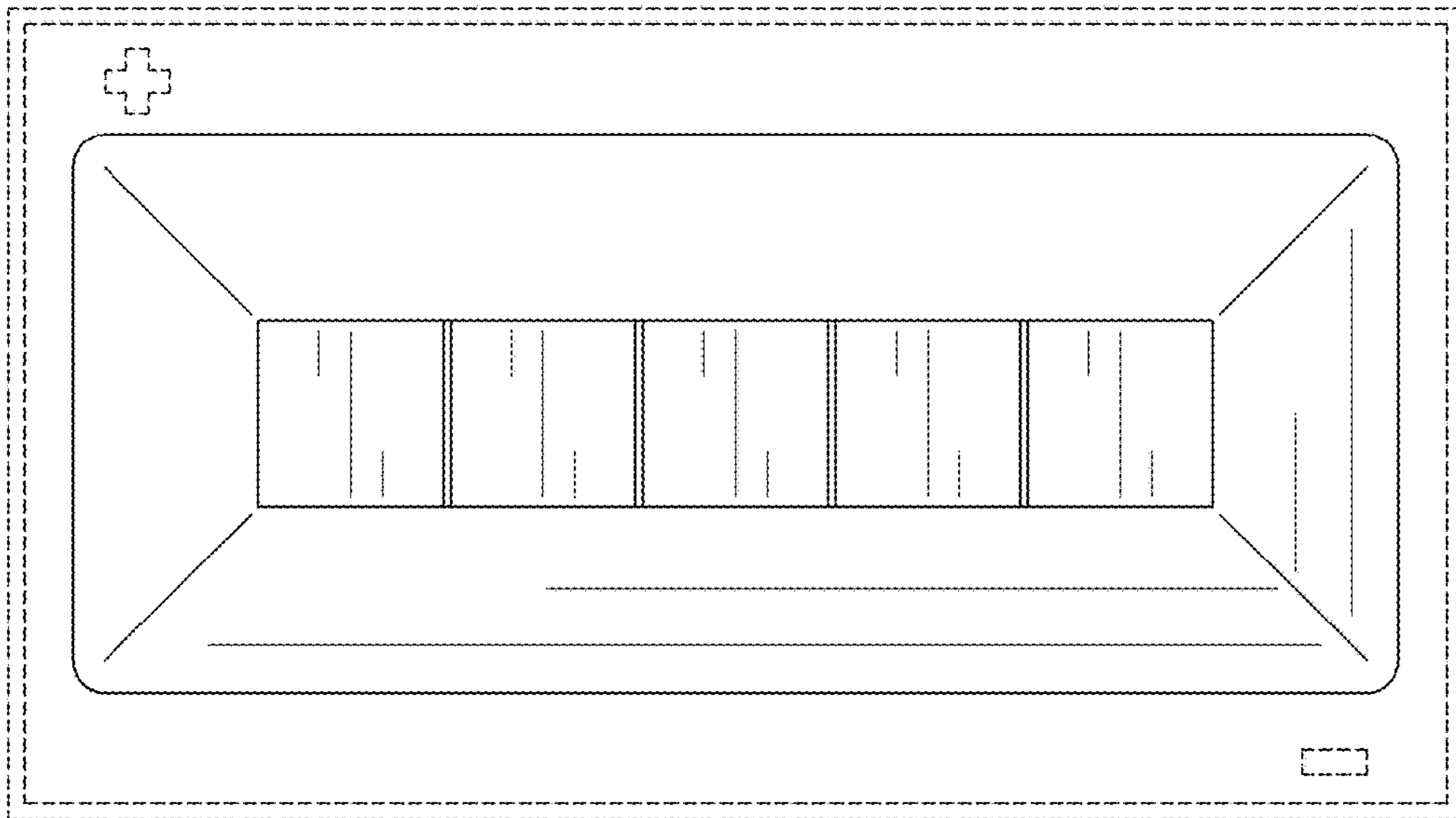


FIG. 6

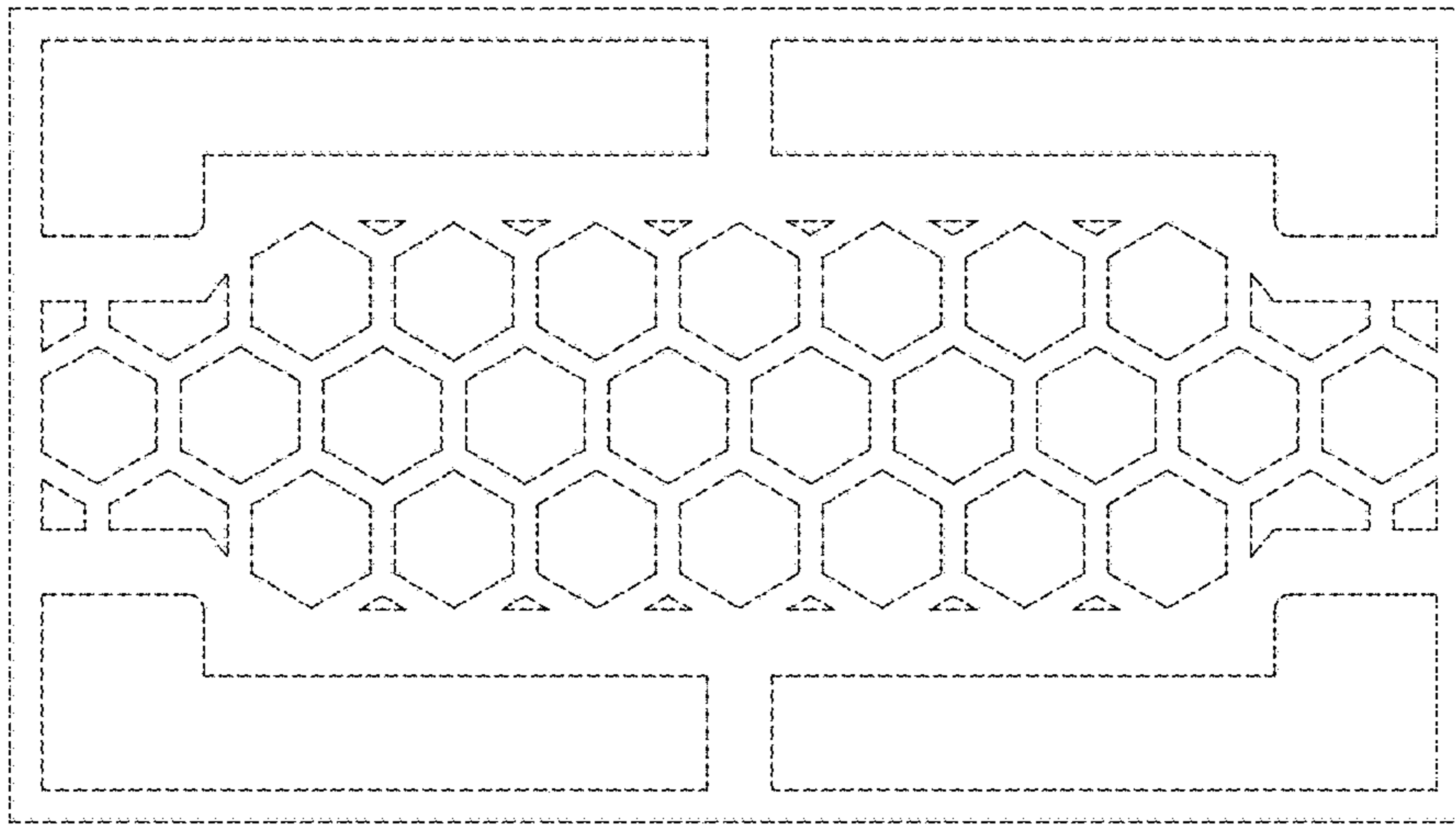


FIG. 7