



US00D796455S

(12) **United States Design Patent**
Eberts et al.

(10) **Patent No.:** **US D796,455 S**
(45) **Date of Patent:** **** Sep. 5, 2017**

- (54) **ELECTRICAL TERMINAL**
- (71) Applicant: **EATON CORPORATION**, Cleveland, OH (US)
- (72) Inventors: **William George Eberts**, Moon Township, PA (US); **Jack Edward Devine**, Pittsburgh, PA (US)
- (73) Assignee: **EATON CORPORATION**, Cleveland, OH (US)
- (**) Term: **15 Years**
- (21) Appl. No.: **29/568,114**
- (22) Filed: **Jun. 15, 2016**
- (51) **LOC (10) Cl.** **13-03**
- (52) **U.S. Cl.**
USPC **D13/178; D13/154**
- (58) **Field of Classification Search**
USPC D13/133, 154
CPC H01H 1/58; H01H 1/5855; H01H 33/025;
H01H 50/14; H01H 71/08; H01R 4/36;
H01R 9/24; H01R 9/2408
See application file for complete search history.

(56) **References Cited**

U.S. PATENT DOCUMENTS

- 3,534,195 A * 10/1970 Palmieri H01H 71/08
200/270
- 3,888,560 A * 6/1975 Smith H01H 71/08
200/284
- 3,891,298 A * 6/1975 Yorgin H01H 71/08
439/620.08
- 4,288,669 A * 9/1981 Grunert H01H 1/5855
200/281
- 4,603,376 A * 7/1986 Maier H01R 4/36
200/284
- 4,809,132 A * 2/1989 Palmieri H01H 71/08
335/202

- 5,107,396 A * 4/1992 Rosen H01H 71/08
361/634
- 5,206,789 A * 4/1993 Barbry H01H 71/08
200/284
- D405,055 S * 2/1999 Taylor D13/133
- 5,978,208 A * 11/1999 Helms H01H 1/5855
200/284
- 6,084,188 A * 7/2000 Mueller H01H 71/08
200/305
- 6,172,586 B1 * 1/2001 Ferree H01H 71/08
335/202

(Continued)

Primary Examiner — Selina Sikder

(74) *Attorney, Agent, or Firm* — Eckert Seamans; Brij Agarwal; Grant Coffield

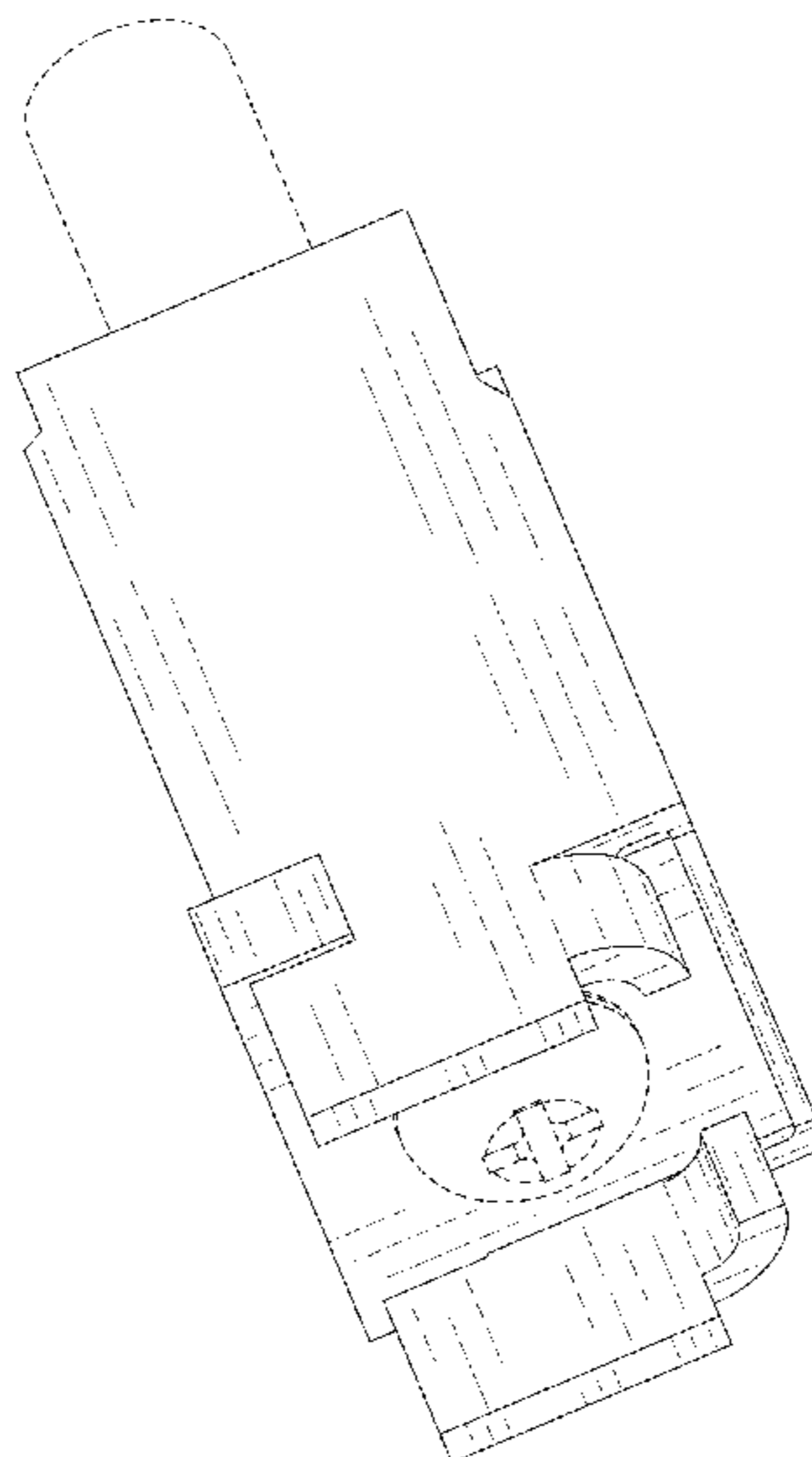
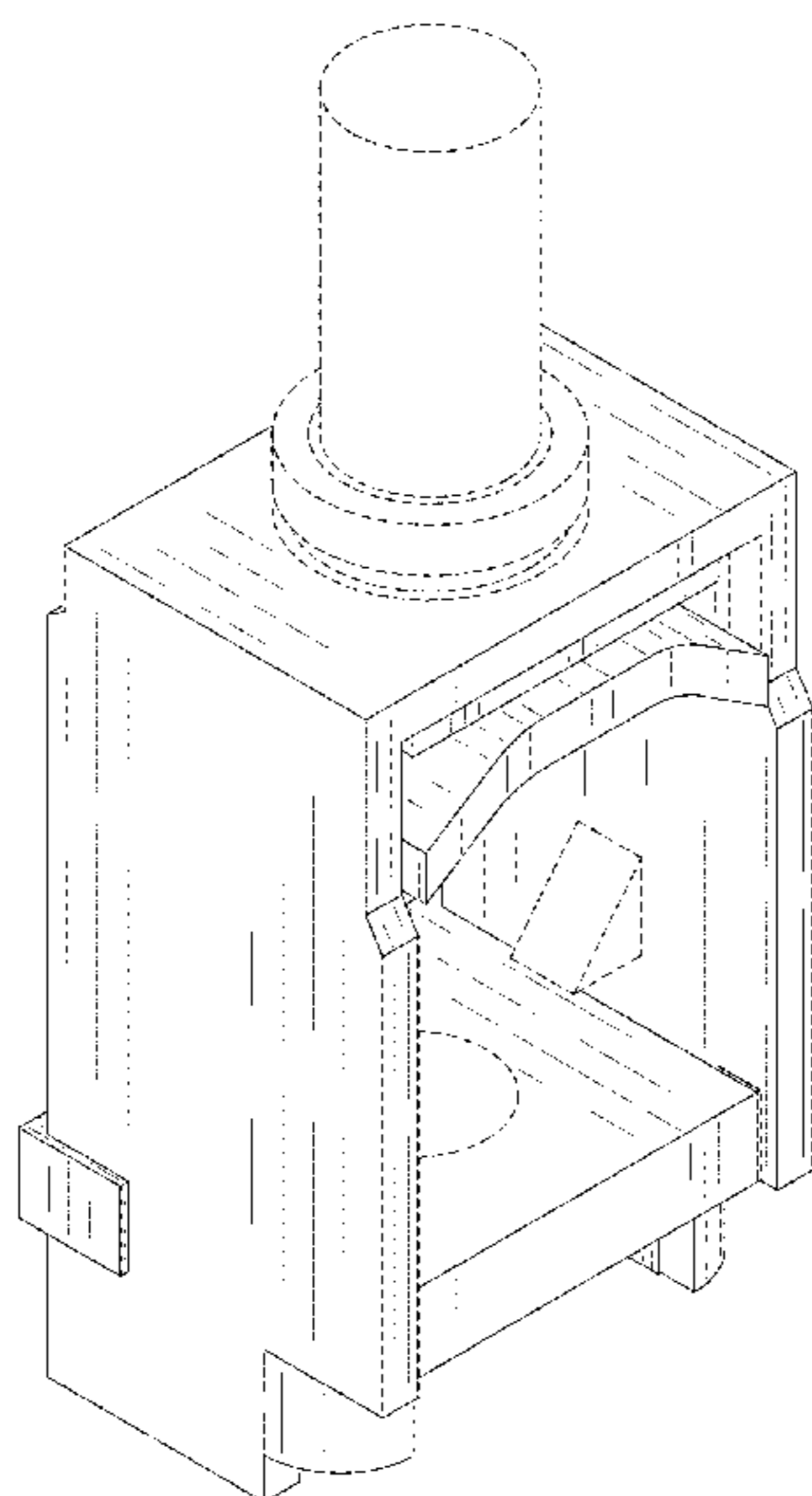
(57) **CLAIM**

The ornamental design for an electrical terminal, as shown and described.

DESCRIPTION

FIG. 1 is an upper left perspective view of the electrical terminal;
 FIG. 2 is an upper rear perspective view of the electrical terminal;
 FIG. 3 is a lower left perspective view of the electrical terminal;
 FIG. 4 is a front elevational view of the electrical terminal;
 FIG. 5 is a left side elevational view of the electrical terminal;
 FIG. 6 is a right side elevational view of the electrical terminal;
 FIG. 7 is a rear elevational view of the electrical terminal;
 FIG. 8 is a top plan view of the electrical terminal; and,
 FIG. 9 is a bottom plan view of the electrical terminal.
 The dashed lines are for illustration of environmental subject matter only and form no part of the claimed design.

1 Claim, 8 Drawing Sheets



(56)

References Cited

U.S. PATENT DOCUMENTS

6,211,759 B1 *	4/2001	Little	H01H 9/0264	335/202	8,853,576 B2 *	10/2014	Sisley	H01H 77/00	200/304
6,437,268 B1 *	8/2002	Etscheidt	H01H 71/08	200/305	9,299,523 B1 *	3/2016	Whipple	H01R 9/2408	
6,529,112 B1 *	3/2003	Leone	H01R 4/36	337/113	9,543,085 B2 *	1/2017	Holland	H01H 1/365	
6,572,418 B2 *	6/2003	Takaya	H01R 4/363	439/411	2011/0159749 A1 *	6/2011	Trico	H01R 4/307	439/810
6,762,374 B2 *	7/2004	Pedrinelli	H01R 9/2633	200/16 A	2013/0203301 A1 *	8/2013	Da Silva	H01R 4/38	439/793
6,930,577 B2 *	8/2005	Subramanian	H01H 1/2058	200/304	2014/0110230 A1 *	4/2014	Eberts	H01H 71/08	200/237
D606,493 S *	12/2009	Yuan	D13/133		2014/0113507 A1 *	4/2014	Vanzetto	H01R 4/366	439/812
D621,368 S *	8/2010	Lee	D13/154		2014/0225707 A1 *	8/2014	Turner	H01H 71/164	337/107
7,766,704 B2 *	8/2010	Robinson	H01R 4/36	439/814	2014/0262709 A1 *	9/2014	Helms	H01H 1/06	200/279
						2015/0129400 A1 *	5/2015	Oh	H01H 3/22	200/293
						2017/0069980 A1 *	3/2017	Hoppe	H01R 4/4836	

* cited by examiner

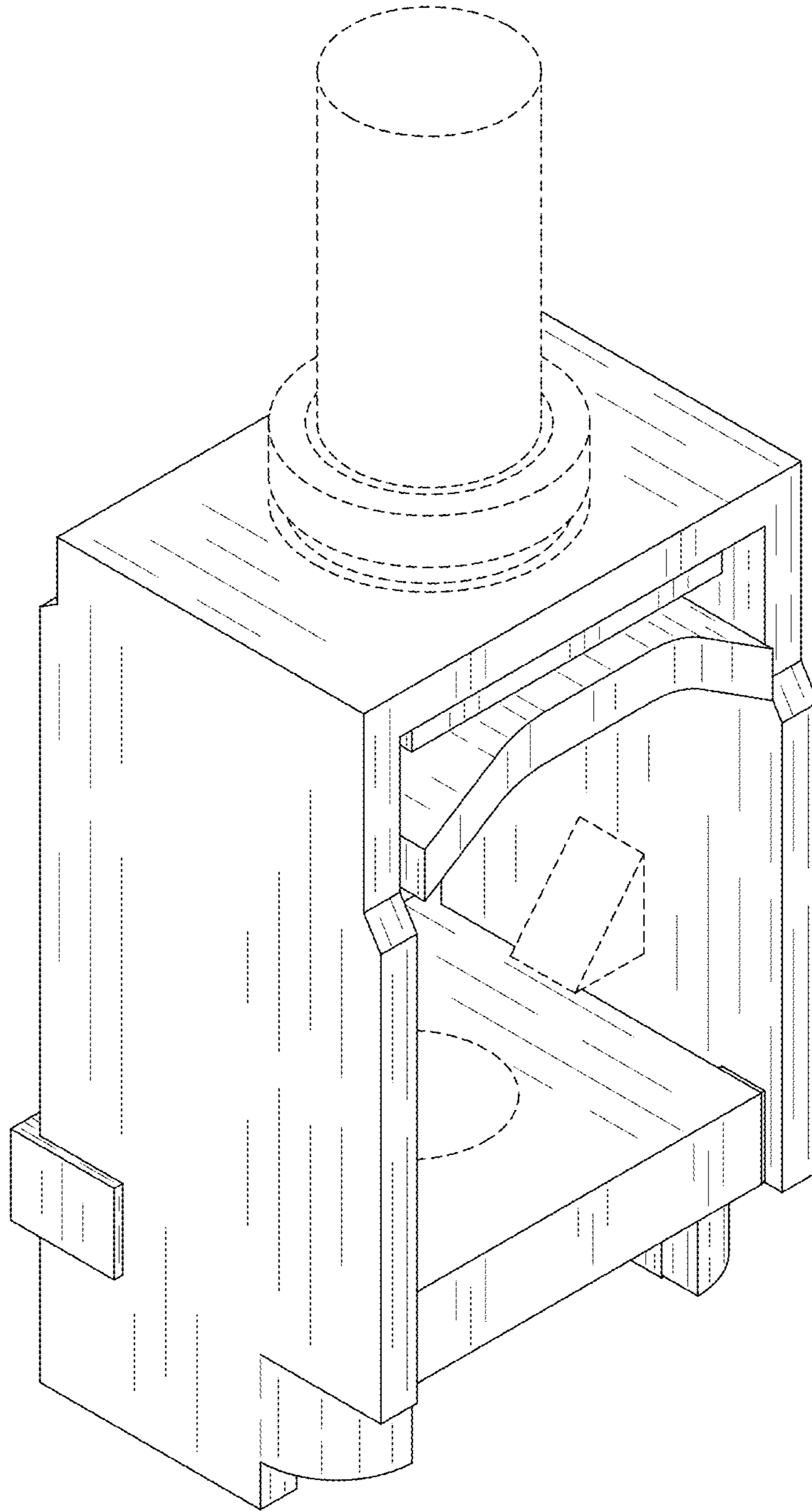


FIG. 1

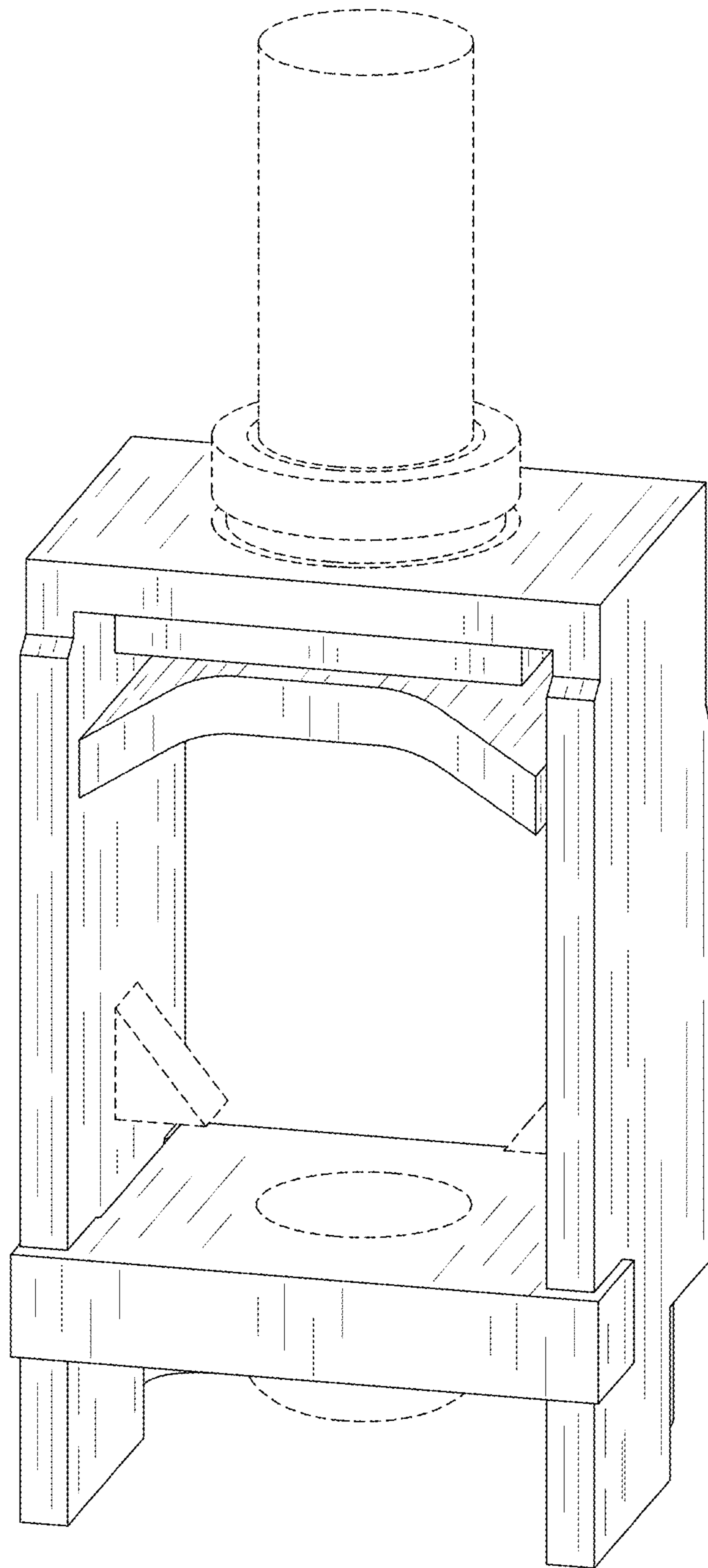


FIG. 2

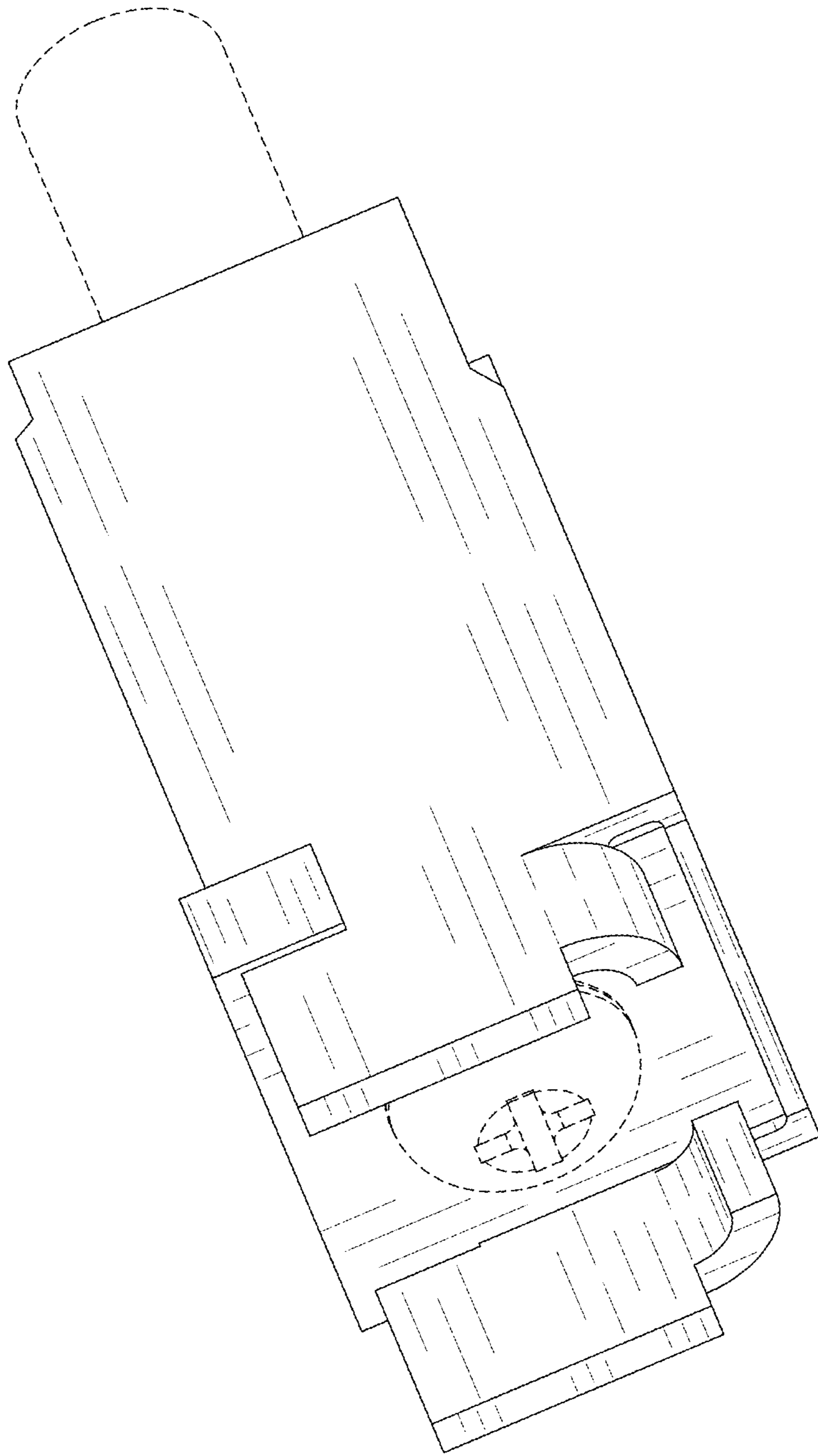


FIG. 3

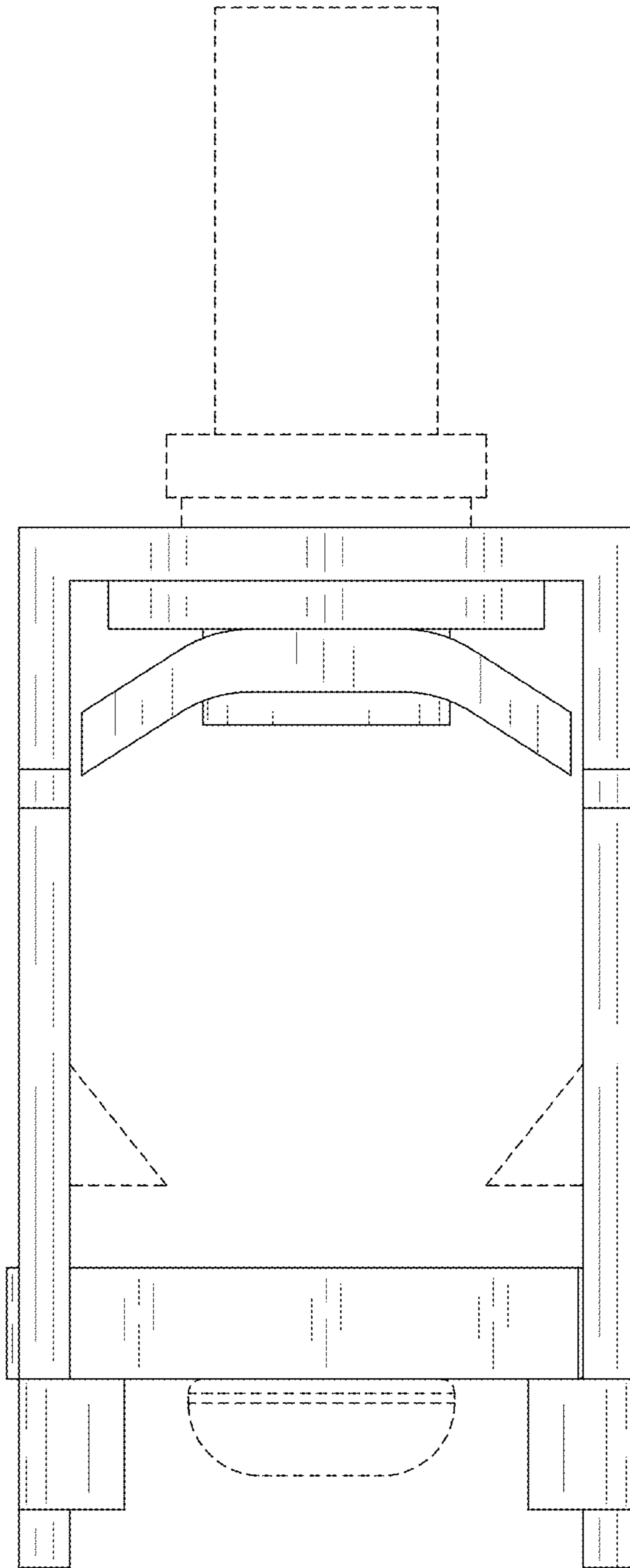


FIG. 4

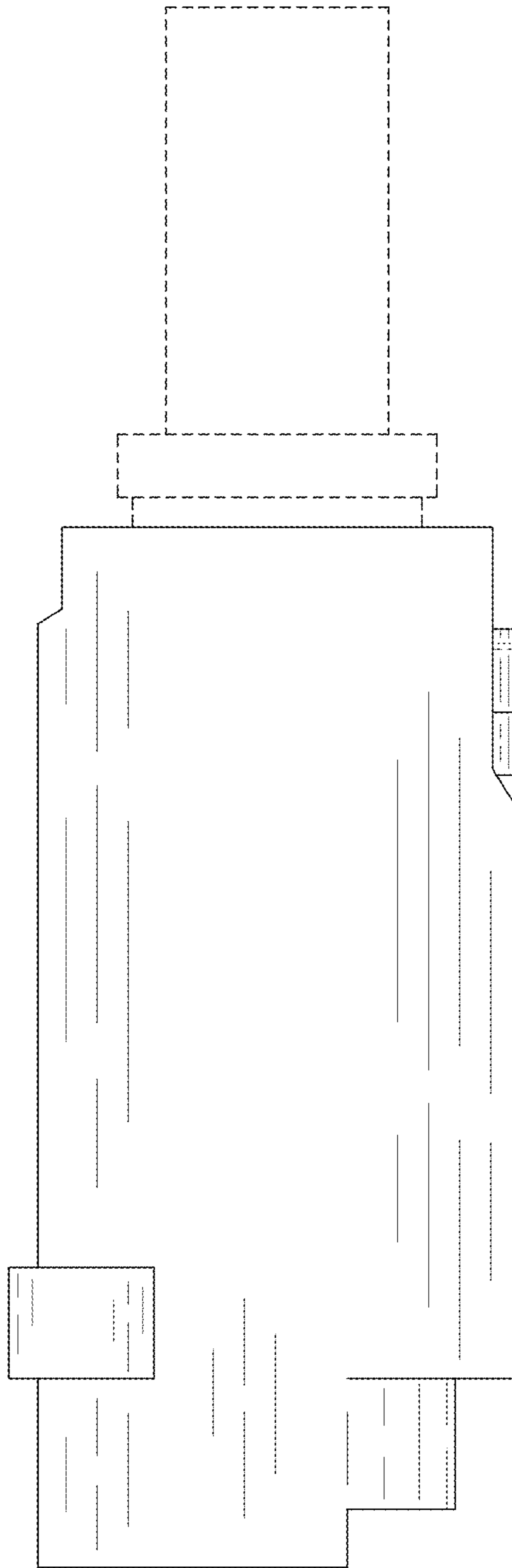


FIG. 5

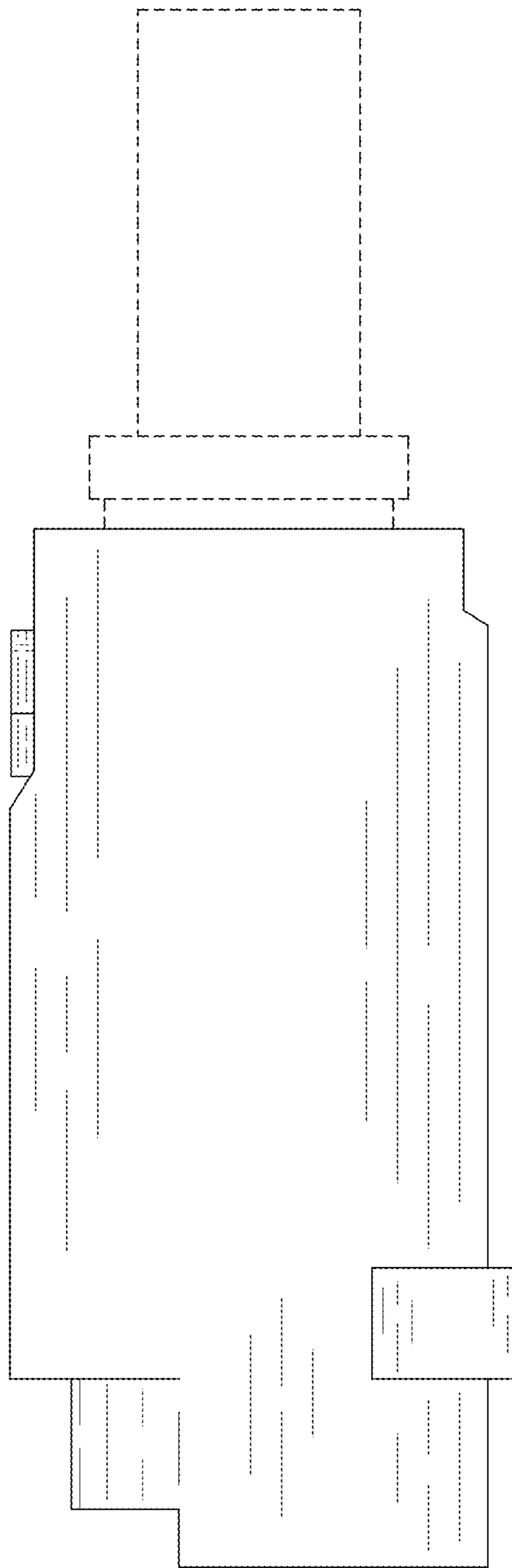


FIG. 6

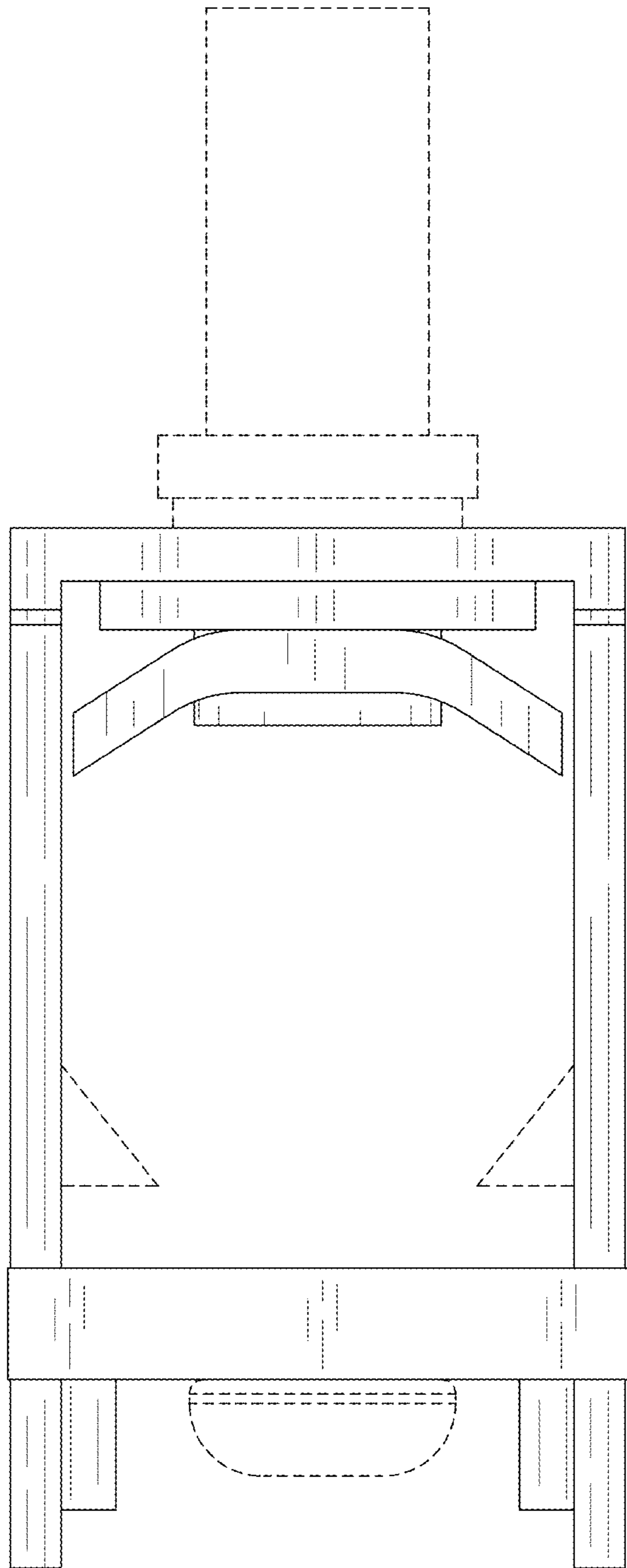


FIG. 7

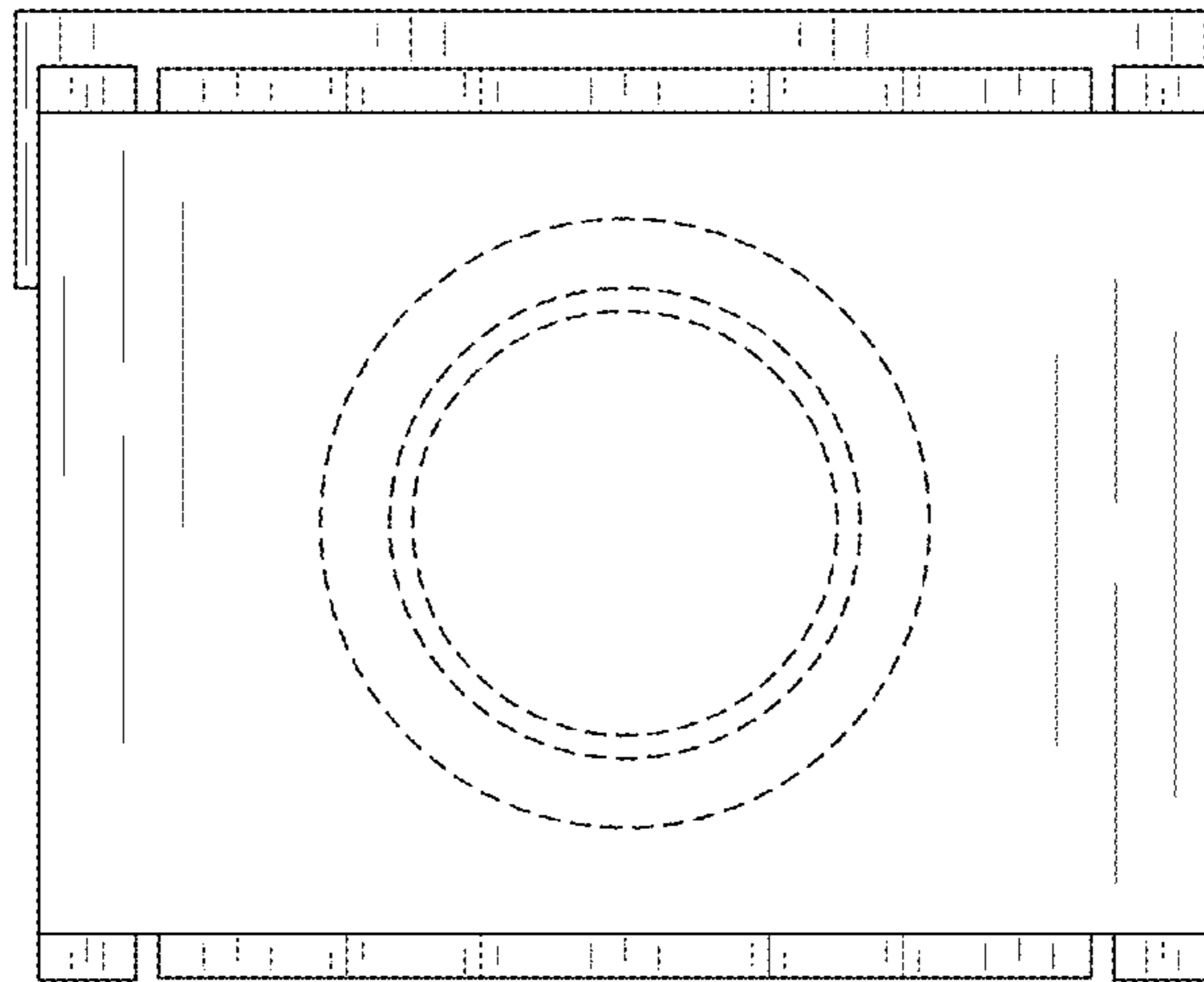


FIG. 8

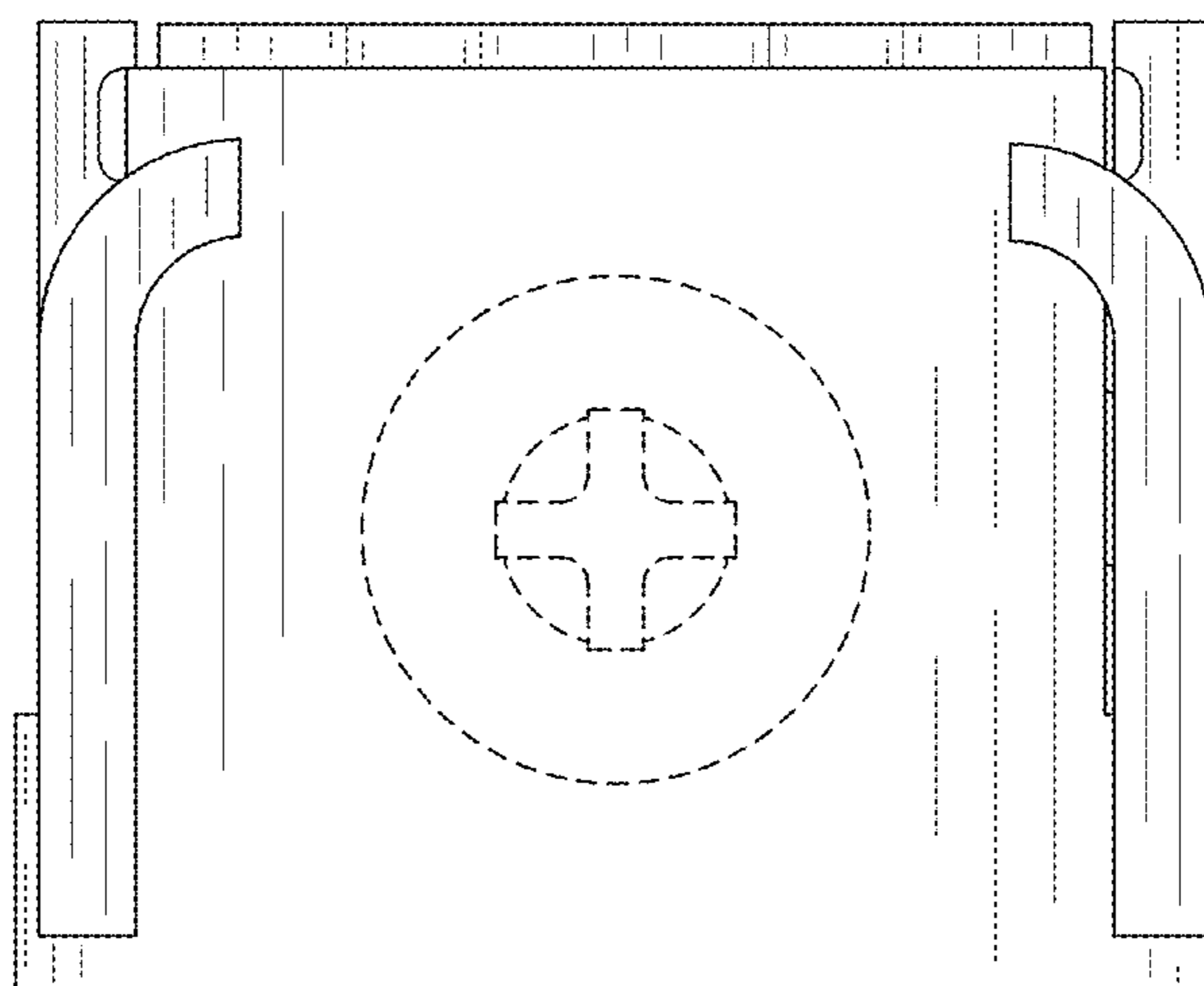


FIG. 9