



US00D796452S

(12) **United States Design Patent** (10) **Patent No.:** **US D796,452 S**  
**Masaki et al.** (45) **Date of Patent:** **\*\* Sep. 5, 2017**

(54) **SHORTING BAR**

(71) Applicant: **OMRON Corporation**, Kyoto-shi, Kyoto (JP)  
 (72) Inventors: **Kenichiro Masaki**, Kumamoto (JP); **Kazumune Kishikawa**, Takeo (JP); **Tomonori Shiraishi**, Saga (JP); **Yoshikazu Tajiri**, Kikuchi (JP); **Shinya Tsuji**, Yamaga (JP)  
 (73) Assignee: **OMRON Corporation**, Kyoto (JP)

(\*\*) Term: **15 Years**

(21) Appl. No.: **29/573,266**

(22) Filed: **Aug. 4, 2016**

(30) **Foreign Application Priority Data**

Feb. 29, 2016 (JP) ..... 2016-004445

(51) **LOC (10) Cl.** ..... **13-03**

(52) **U.S. Cl.**  
USPC ..... **D13/154**

(58) **Field of Classification Search**  
 USPC ..... D13/133, 146, 147, 154, 184, 199  
 CPC ..... H01R 29/00; H01R 43/00; H01R 43/04;  
 G02F 1/1333; G02F 1/1362; G02F 1/1368

See application file for complete search history.

(56) **References Cited**

U.S. PATENT DOCUMENTS

D293,432 S *	12/1987	Masuda	.....	D13/147
5,274,918 A *	1/1994	Reed	.....	H01R 29/00 264/263
D727,852 S *	4/2015	Buck	.....	D13/154
D748,063 S *	1/2016	Buck	.....	D13/154
D782,980 S *	4/2017	Zhang	.....	D13/147
2006/0228912 A1 *	10/2006	Morlion	.....	H01R 23/688 439/65
2010/0093209 A1 *	4/2010	Liu	.....	H01R 13/6587 439/541.5

\* cited by examiner

*Primary Examiner* — Daniel Bui

(74) *Attorney, Agent, or Firm* — Capitol City TechLaw

(57) **CLAIM**

The ornamental design for a shorting bar, as shown.

**DESCRIPTION**

FIG. 1 is a front, top, and right side perspective view of a shorting bar showing our new design;  
 FIG. 2 is a front view thereof;  
 FIG. 3 is a rear view thereof;  
 FIG. 4 is a left side view thereof;  
 FIG. 5 is a right side view thereof;  
 FIG. 6 is a top view thereof; and,  
 FIG. 7 is a bottom view thereof.

**1 Claim, 3 Drawing Sheets**

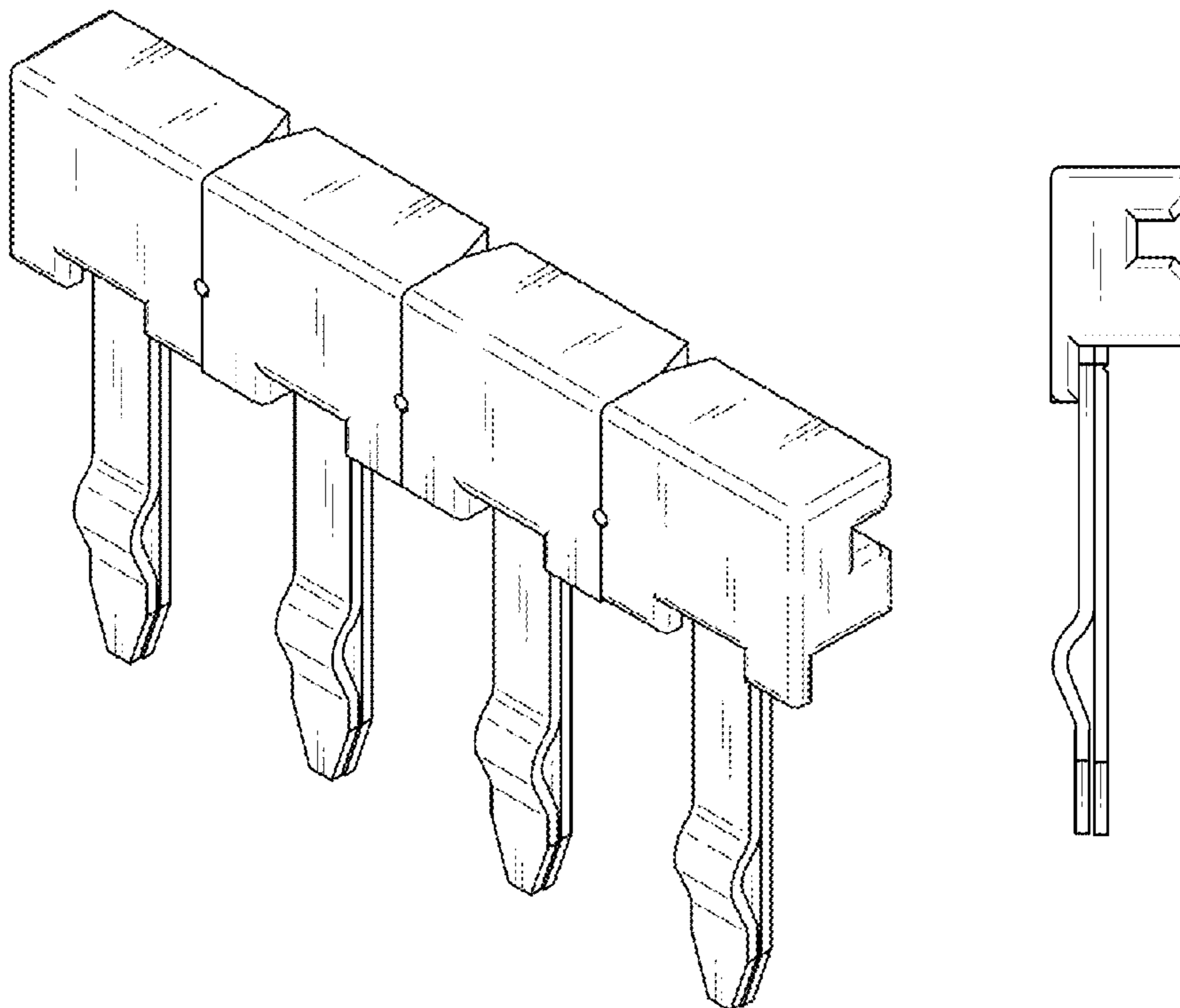


Fig. 1

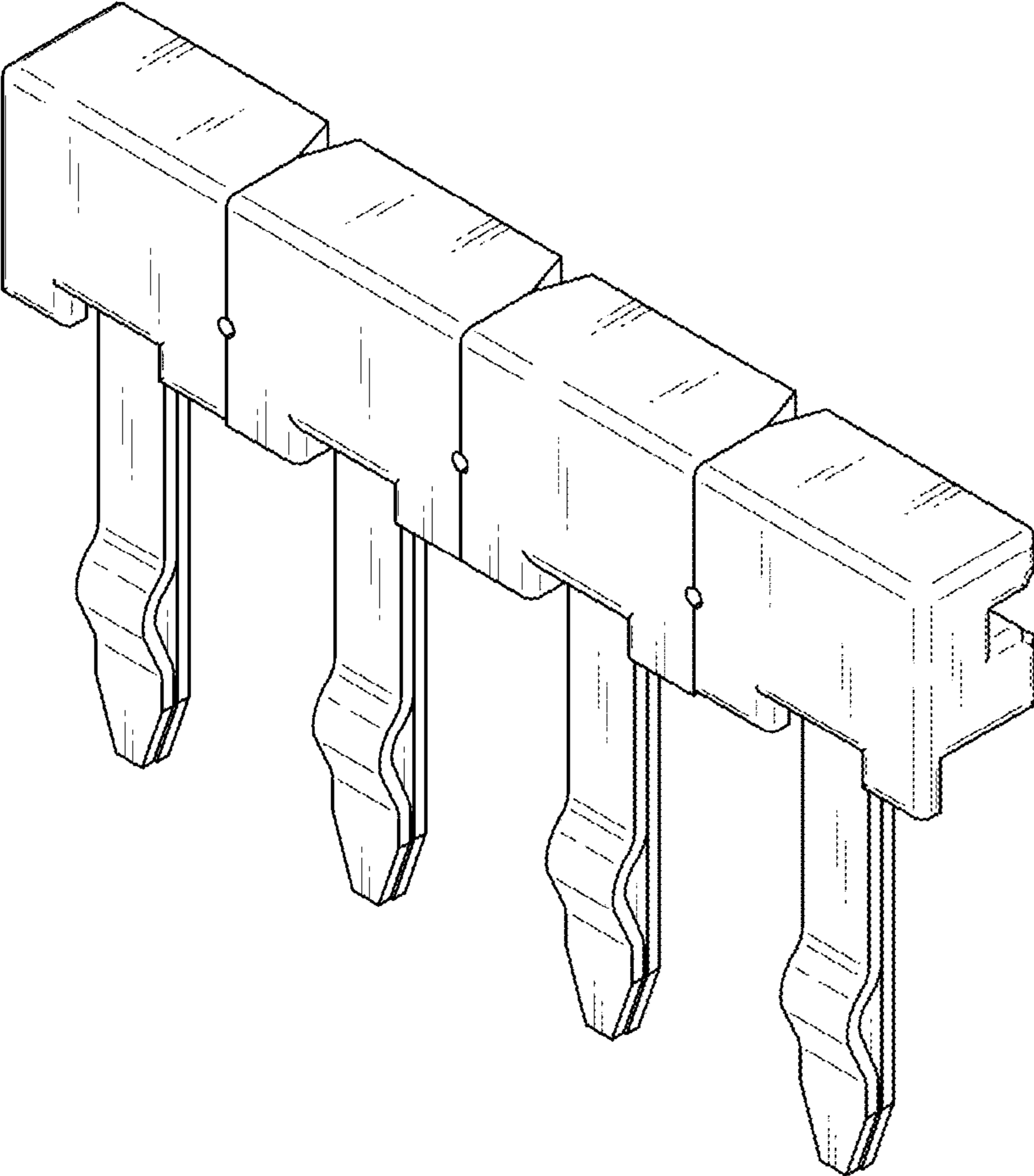


Fig. 2

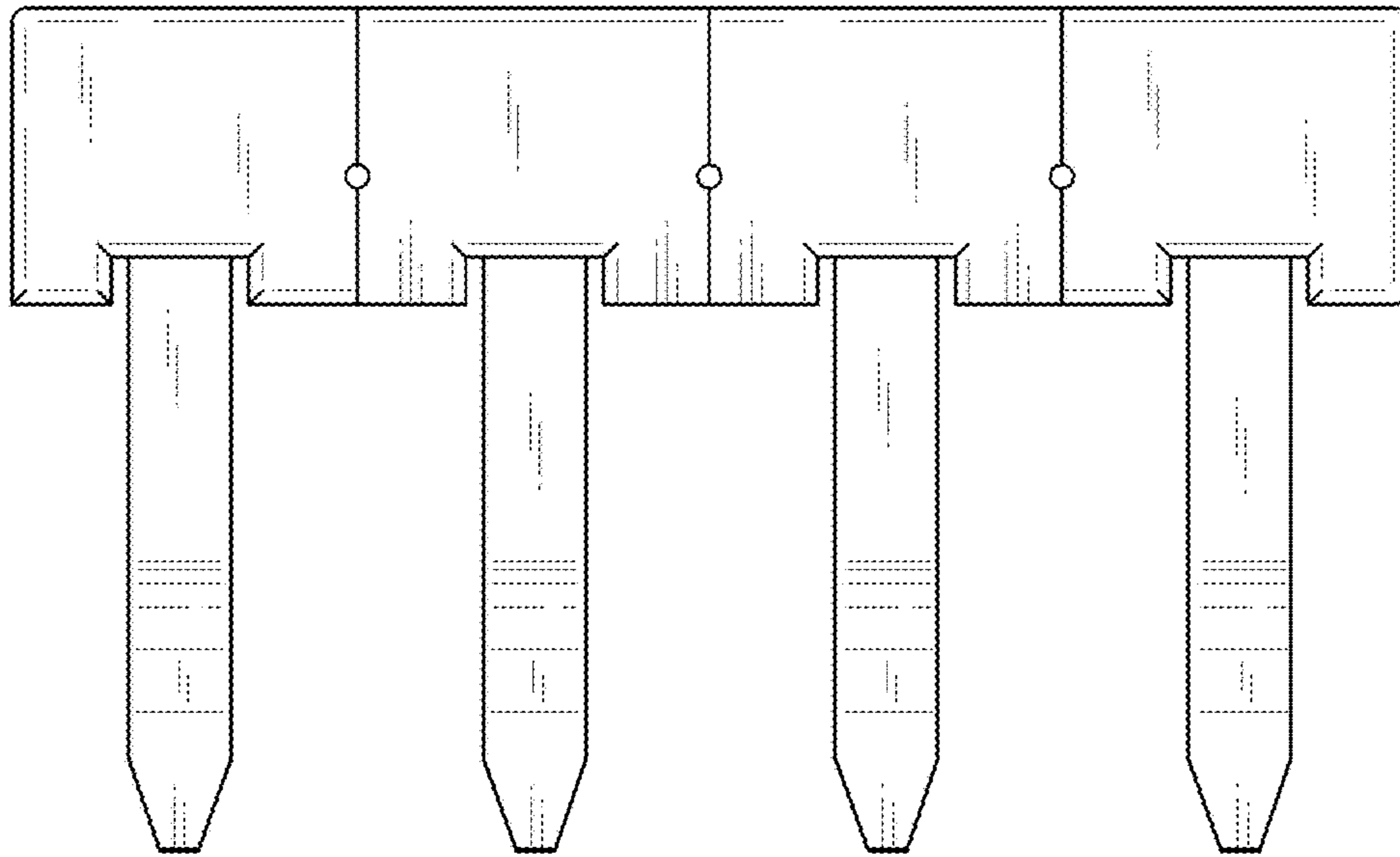


Fig. 3

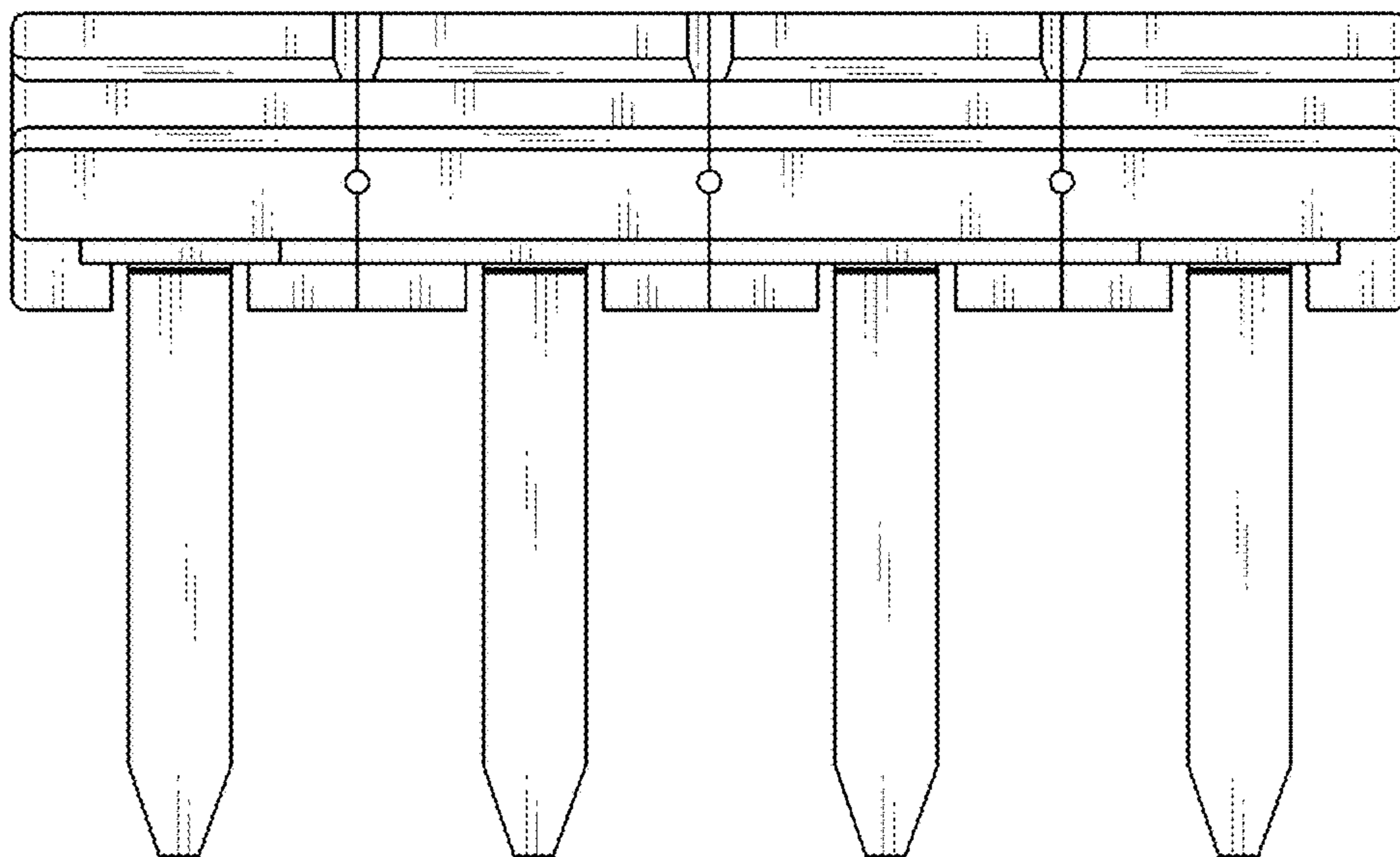


Fig. 4

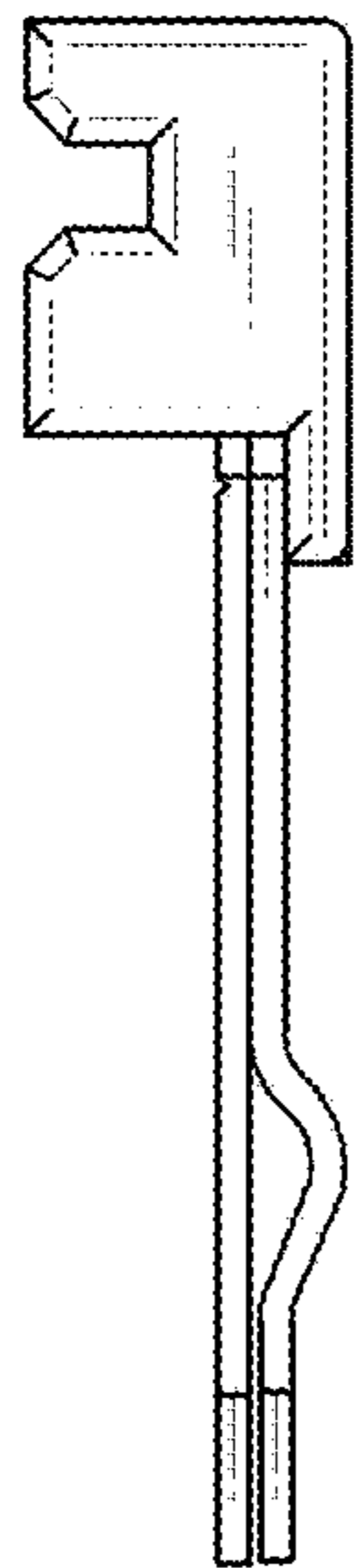


Fig. 5

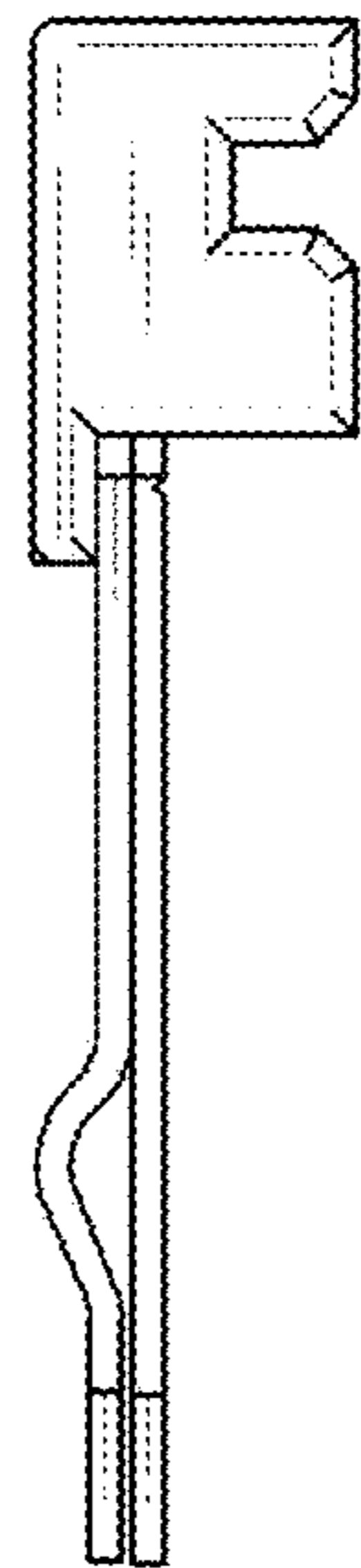


Fig. 6

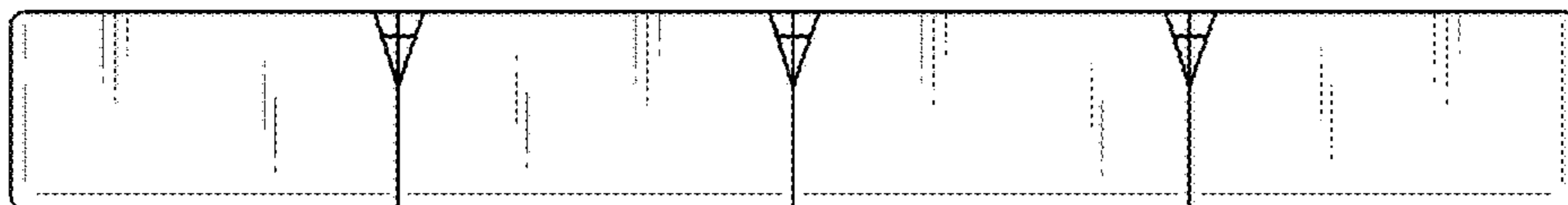


Fig. 7

