



US00D796450S

(12) **United States Design Patent**  
**Mikawa**

(10) **Patent No.:** **US D796,450 S**

(45) **Date of Patent:** **\*\* Sep. 5, 2017**

(54) **CARD CONNECTOR**

(71) Applicant: **JAPAN AVIATION ELECTRONICS INDUSTRY, LIMITED**, Tokyo (JP)

(72) Inventor: **Kazuya Mikawa**, Tokyo (JP)

(73) Assignee: **Japan Aviation Electronics Industry, Limited**, Tokyo (JP)

(\*\*) Term: **15 Years**

(21) Appl. No.: **29/584,608**

(22) Filed: **Nov. 16, 2016**

(30) **Foreign Application Priority Data**

Jun. 1, 2016 (JP) ..... 2016-011754

(51) **LOC (10) Cl.** ..... **13-03**

(52) **U.S. Cl.**  
USPC ..... **D13/147**

(58) **Field of Classification Search**  
USPC ..... D13/133, 146, 147, 154, 184, 199  
CPC .... H01R 12/7076; H01R 24/00; H01R 13/24;  
H01R 13/42; H01R 13/62; G06K 7/00;  
G06K 7/0021  
See application file for complete search history.

(56) **References Cited**

**U.S. PATENT DOCUMENTS**

D559,787 S \* 1/2008 Sasaki ..... D13/147  
7,381,069 B2 \* 6/2008 Saito ..... H01R 13/6335  
439/159

D589,454 S \* 3/2009 Gao ..... D13/147  
D729,170 S \* 5/2015 Kim ..... D13/147  
D741,810 S \* 10/2015 Sasaki ..... D13/147  
D742,832 S 11/2015 Mikawa  
2011/0104920 A1 \* 5/2011 Matsunaga ..... H01R 12/716  
439/152

\* cited by examiner

*Primary Examiner* — Daniel Bui

(74) *Attorney, Agent, or Firm* — Cermak Nakajima & McGowan LLP; Tomoko Nakajima

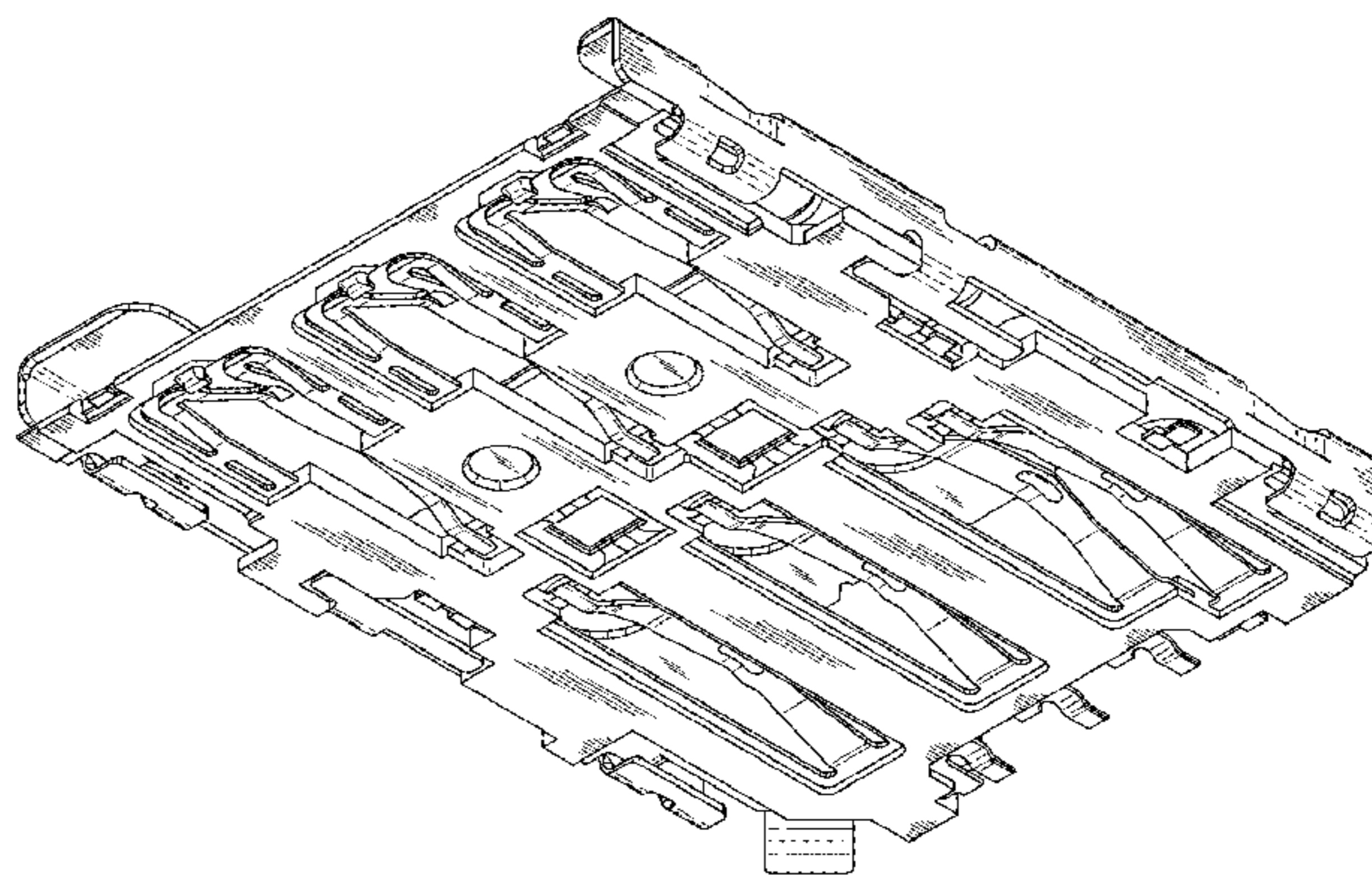
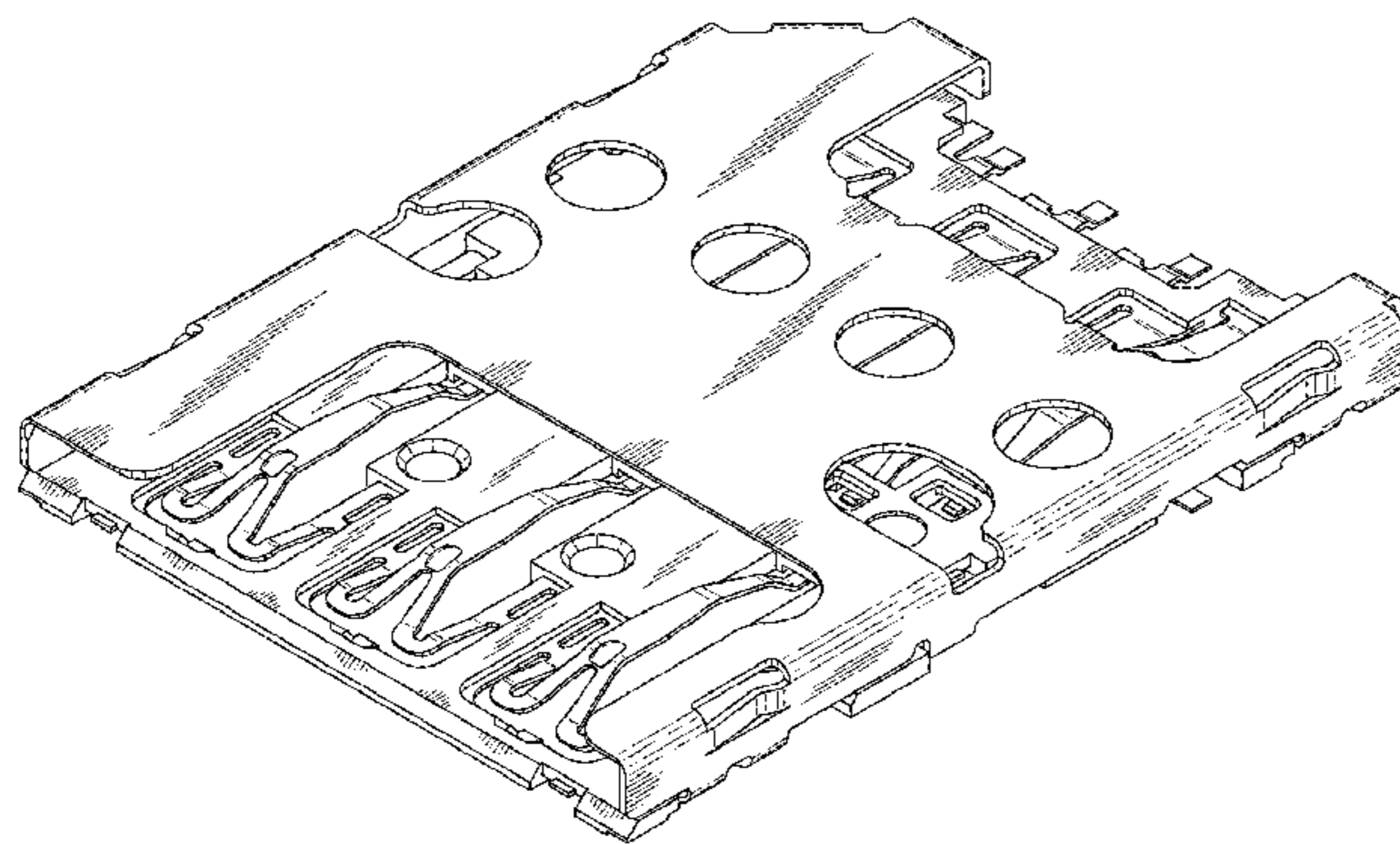
(57) **CLAIM**

The ornamental design for a card connector, as shown.

**DESCRIPTION**

FIG. 1 is a front elevational view of a card connector showing my new design;  
FIG. 2 is a top plan view thereof;  
FIG. 3 is a right side elevational view thereof;  
FIG. 4 is a left side elevational view thereof;  
FIG. 5 is a rear elevational view thereof; and  
FIG. 6 is a bottom plan view thereof.  
FIG. 7 is a front and top perspective view thereof;  
FIG. 8 is a rear and top perspective view thereof;  
FIG. 9 is a front and bottom perspective view thereof; and,  
FIG. 10 is a rear and bottom perspective view thereof.

**1 Claim, 10 Drawing Sheets**



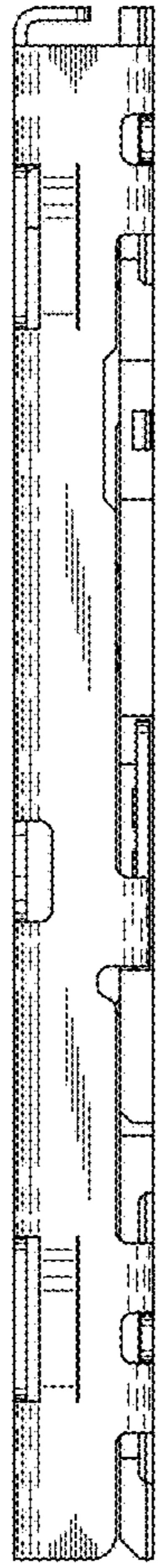


FIG.1

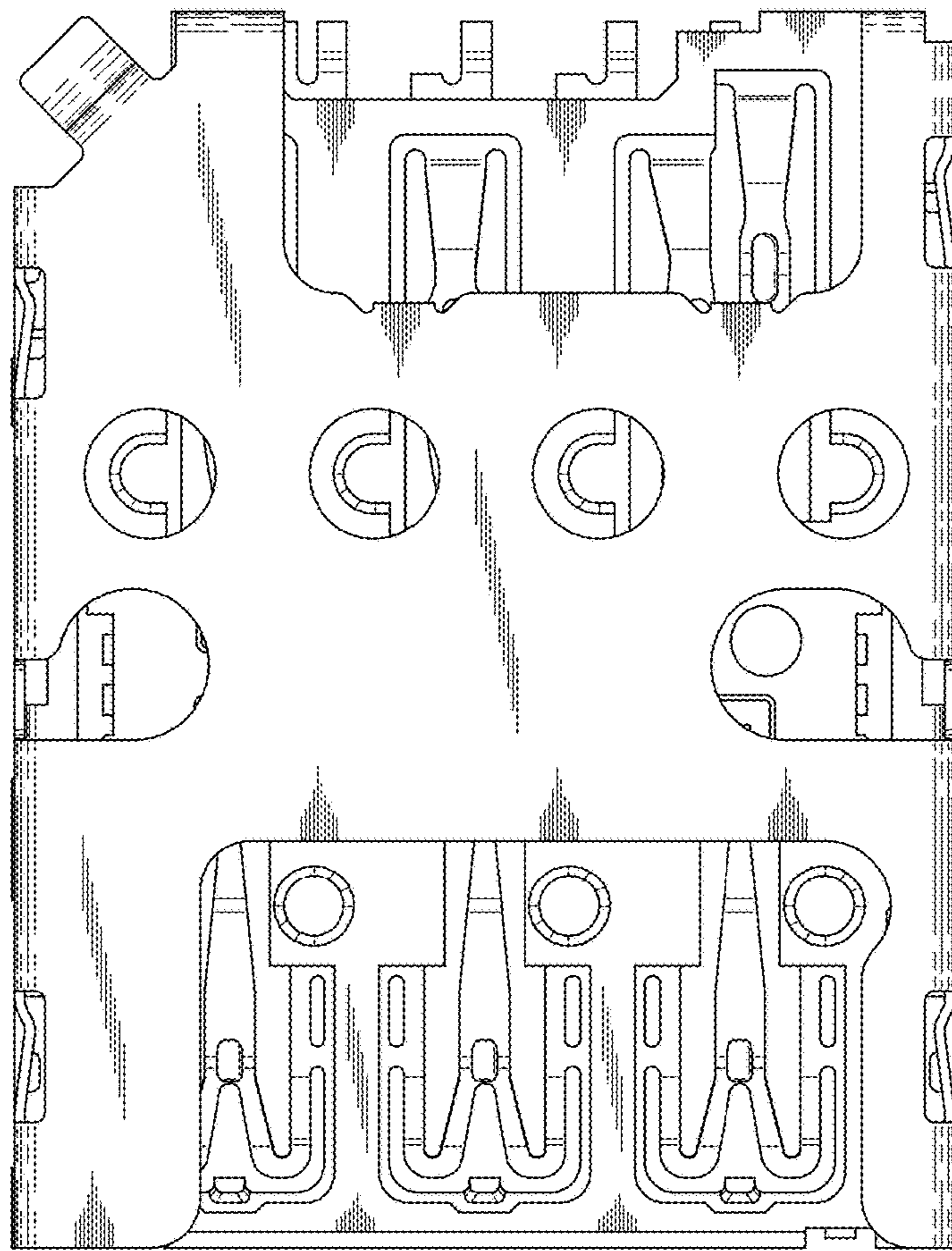


FIG.2

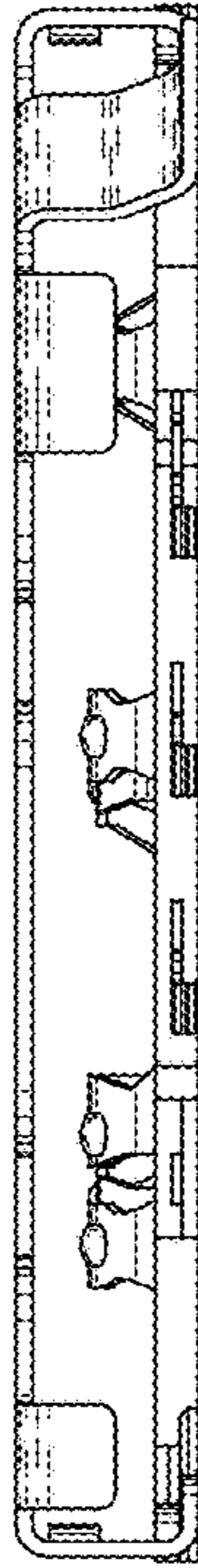


FIG.3

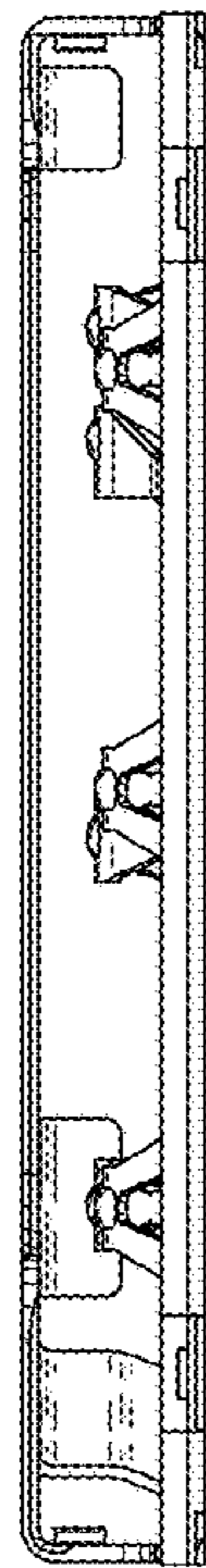


FIG.4

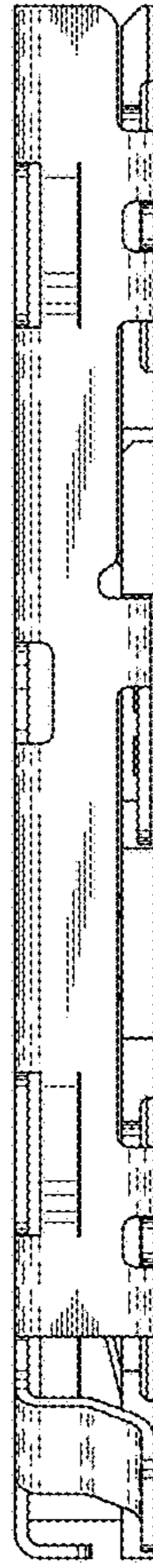


FIG.5

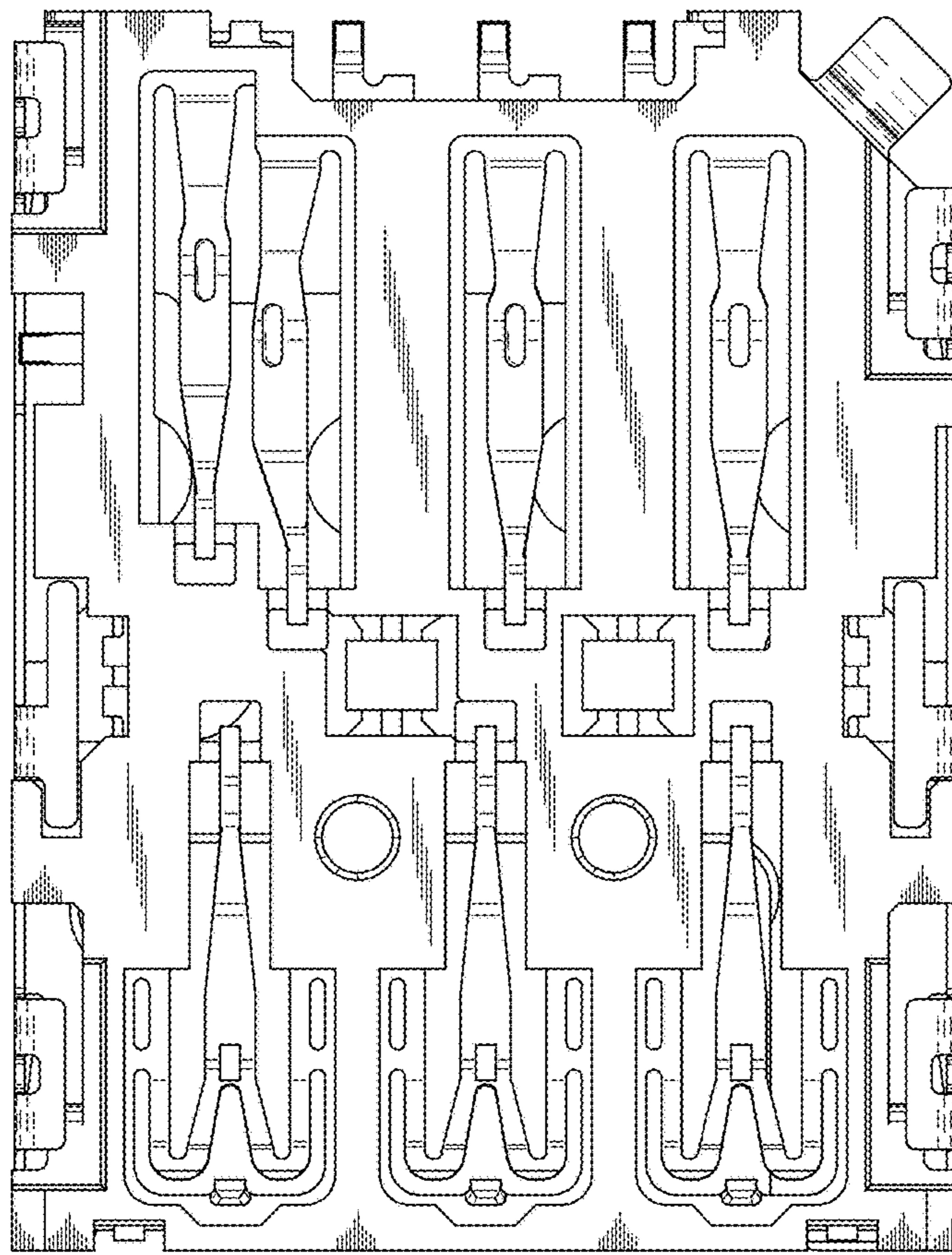


FIG.6

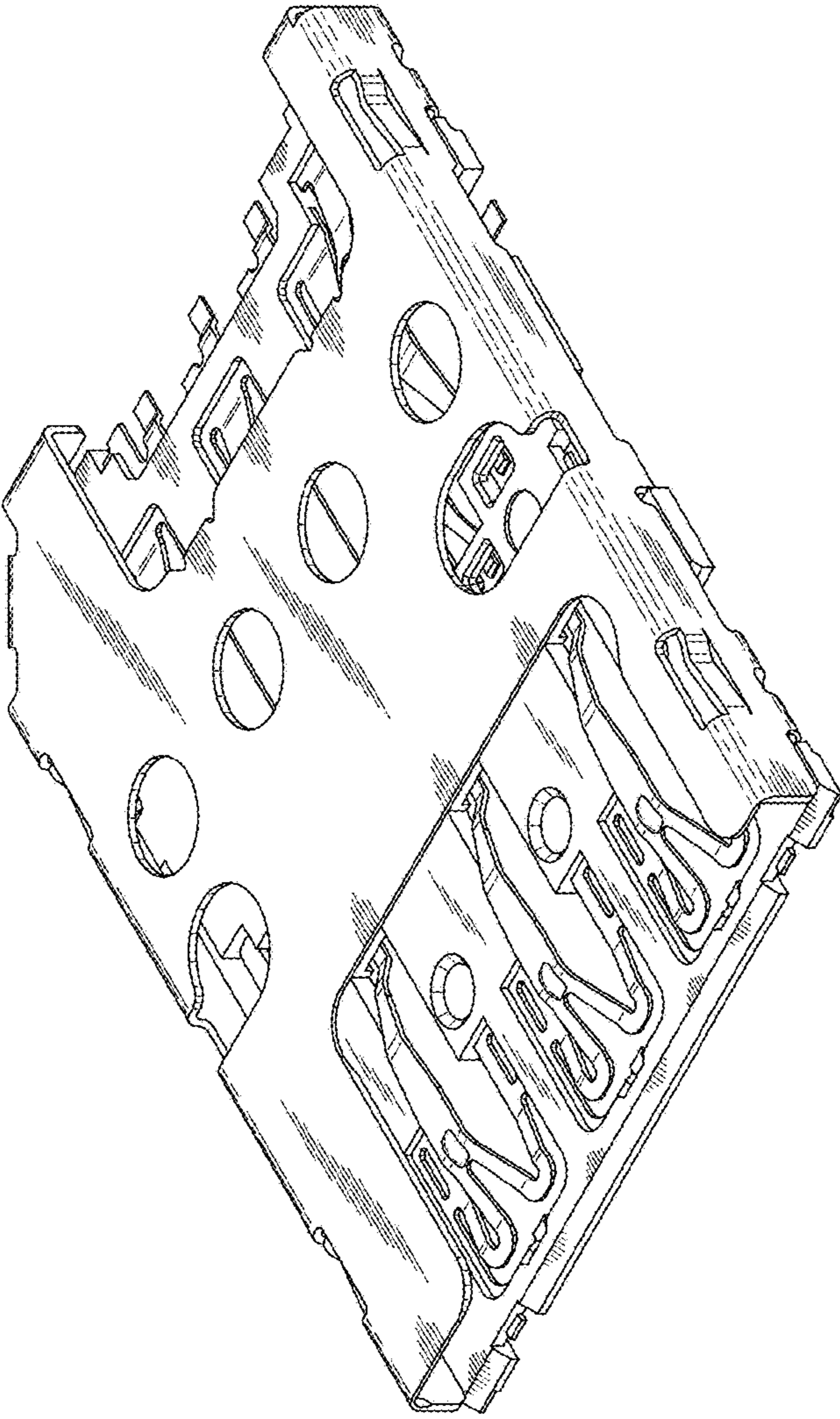


FIG.7



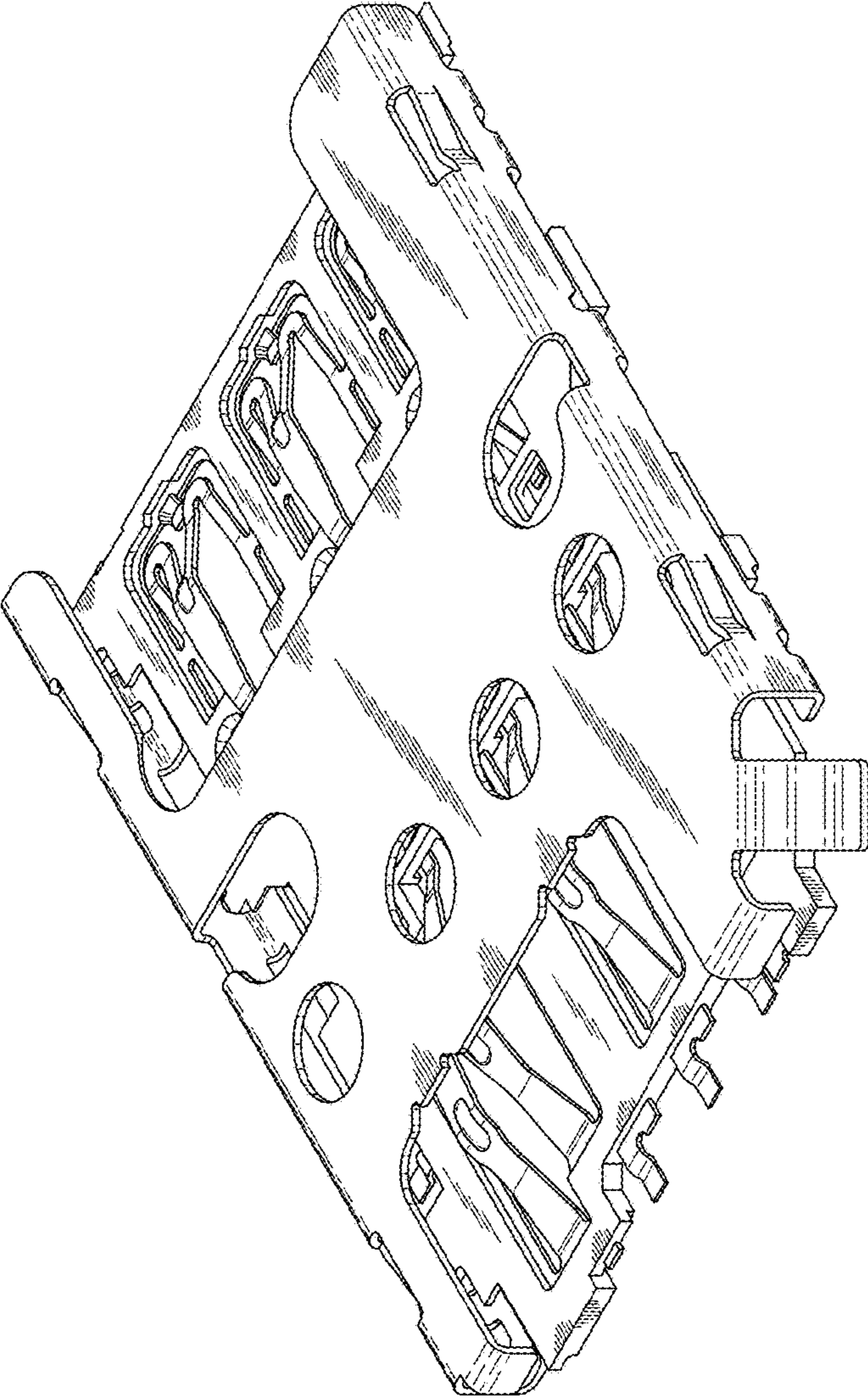


FIG.8

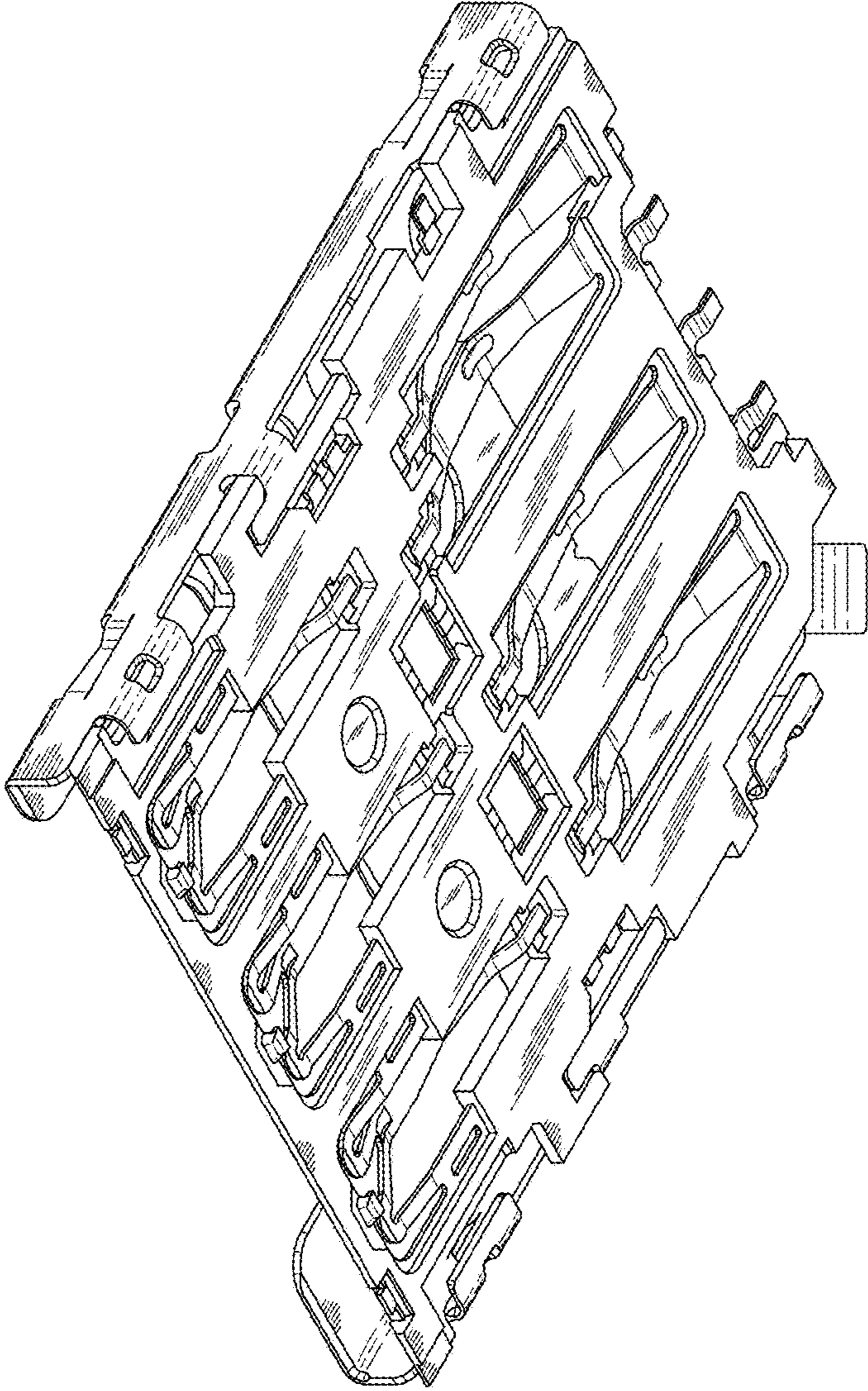


FIG.9

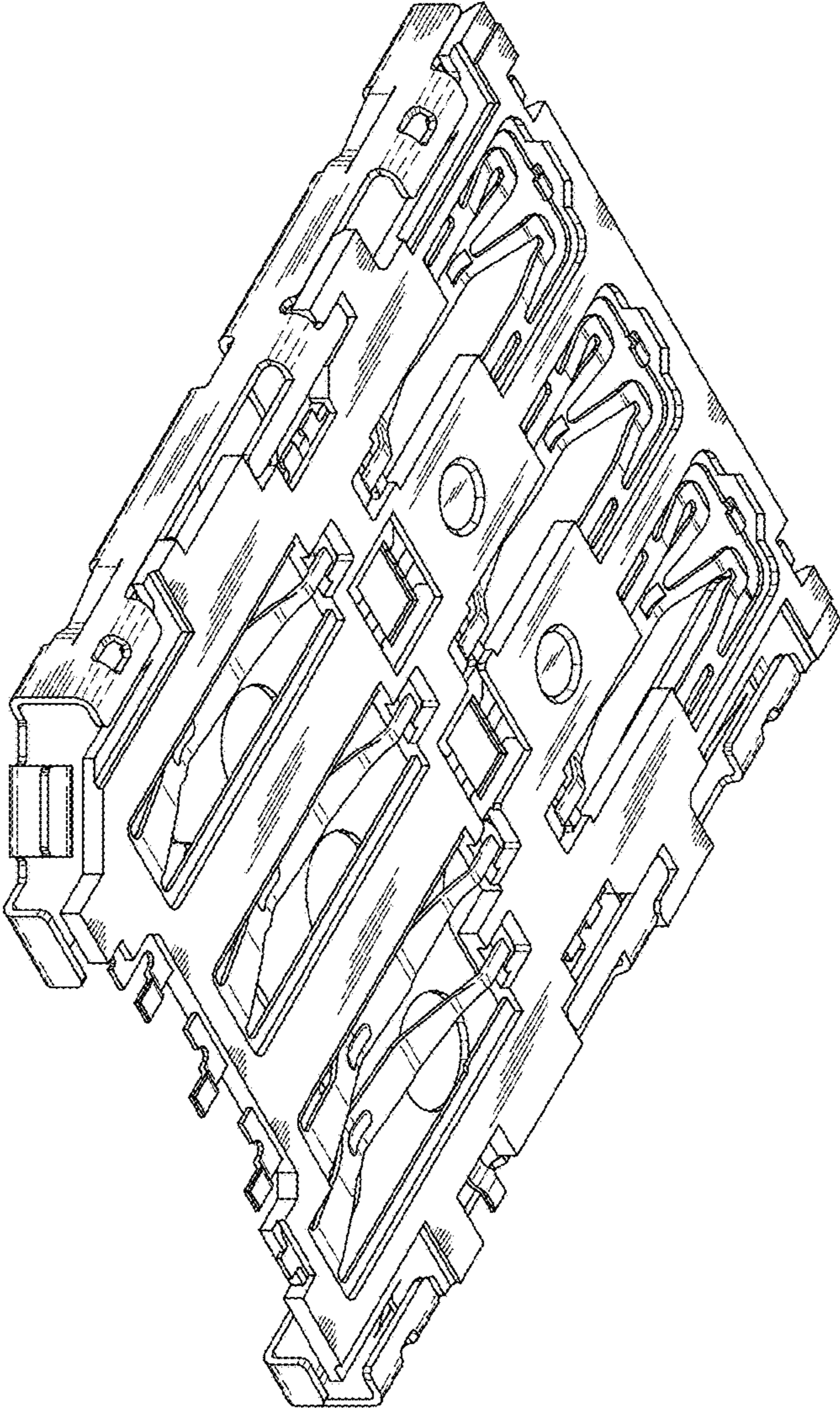


FIG.10