

US00D796449S

(12) **United States Design Patent**
Hultquist

(10) **Patent No.:** **US D796,449 S**

(45) **Date of Patent:** **** Sep. 5, 2017**

(54) **BASE FOR A POWER DISTRIBUTION MODULE**

(71) Applicant: **Chief Enterprises, Inc.**, Elmhurst, IL (US)

(72) Inventor: **Kevin Hultquist**, Bartlett, IL (US)

(**) Term: **15 Years**

(21) Appl. No.: **29/538,156**

(22) Filed: **Sep. 1, 2015**

(51) **LOC (10) Cl.** **13-03**

(52) **U.S. Cl.**
USPC **D13/147**

(58) **Field of Classification Search**
USPC D13/133, 146, 147, 154, 184, 199
CPC H01R 11/01; H01R 11/09; H05K 1/00;
H05K 1/11; H05K 1/14; H05K 5/06;
H02B 1/04; H02B 1/015; H02B 1/26;
H02B 1/18; B60R 16/033; B60L 1/00
See application file for complete search history.

(56) **References Cited**

U.S. PATENT DOCUMENTS

- 5,362,261 A * 11/1994 Puerner H01R 13/4364
439/689
- D460,418 S * 7/2002 Han D13/147

- 7,396,262 B2 * 7/2008 Korczynski B60R 16/0238
174/138 F
- D629,757 S * 12/2010 Woodruff D13/147
- D633,445 S * 3/2011 Christiansen D13/147

* cited by examiner

Primary Examiner — Daniel Bui

(74) *Attorney, Agent, or Firm* — Charles F. Meroni, Jr.;
Meroni & Meroni, P.C.

(57) **CLAIM**

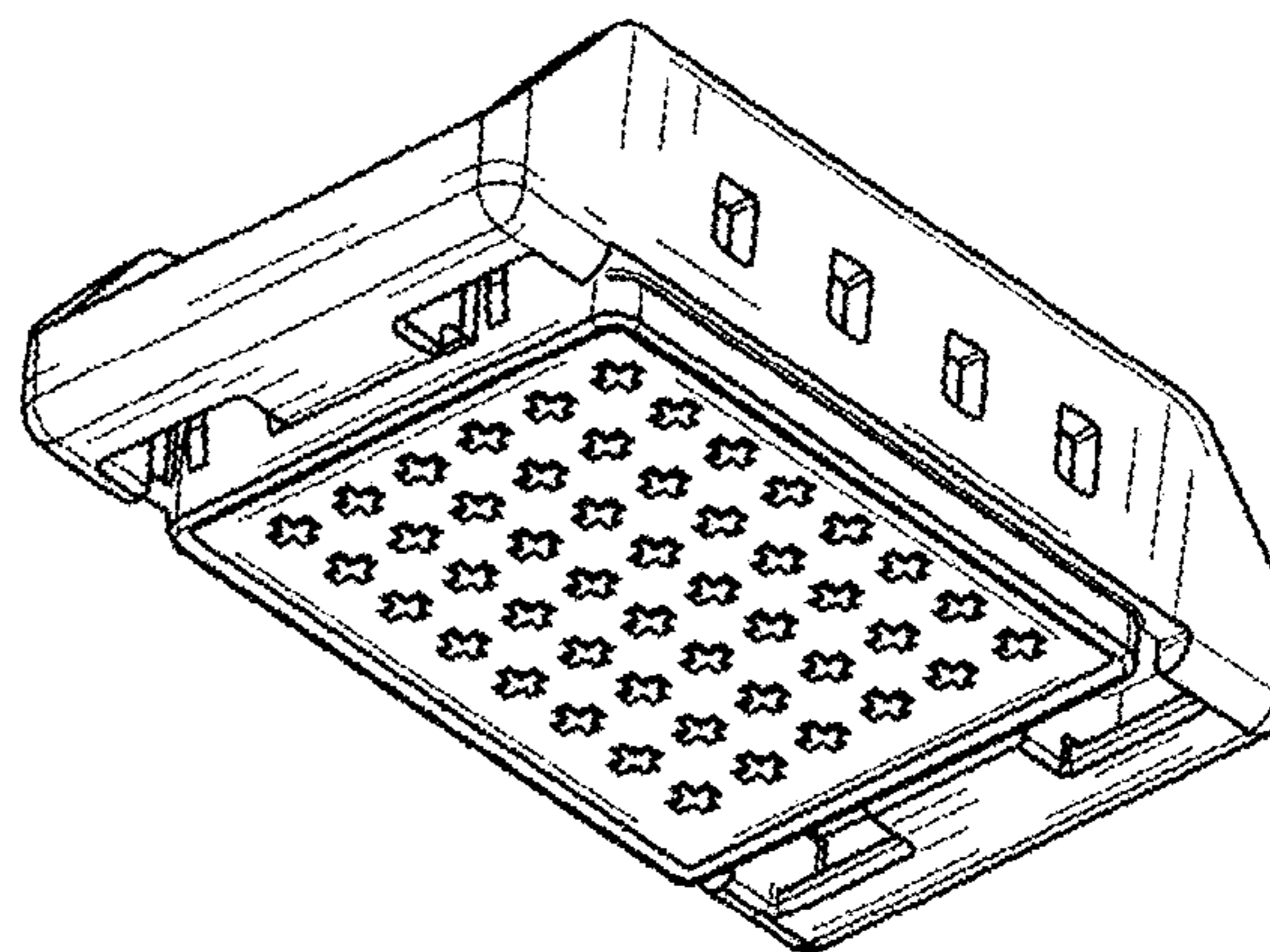
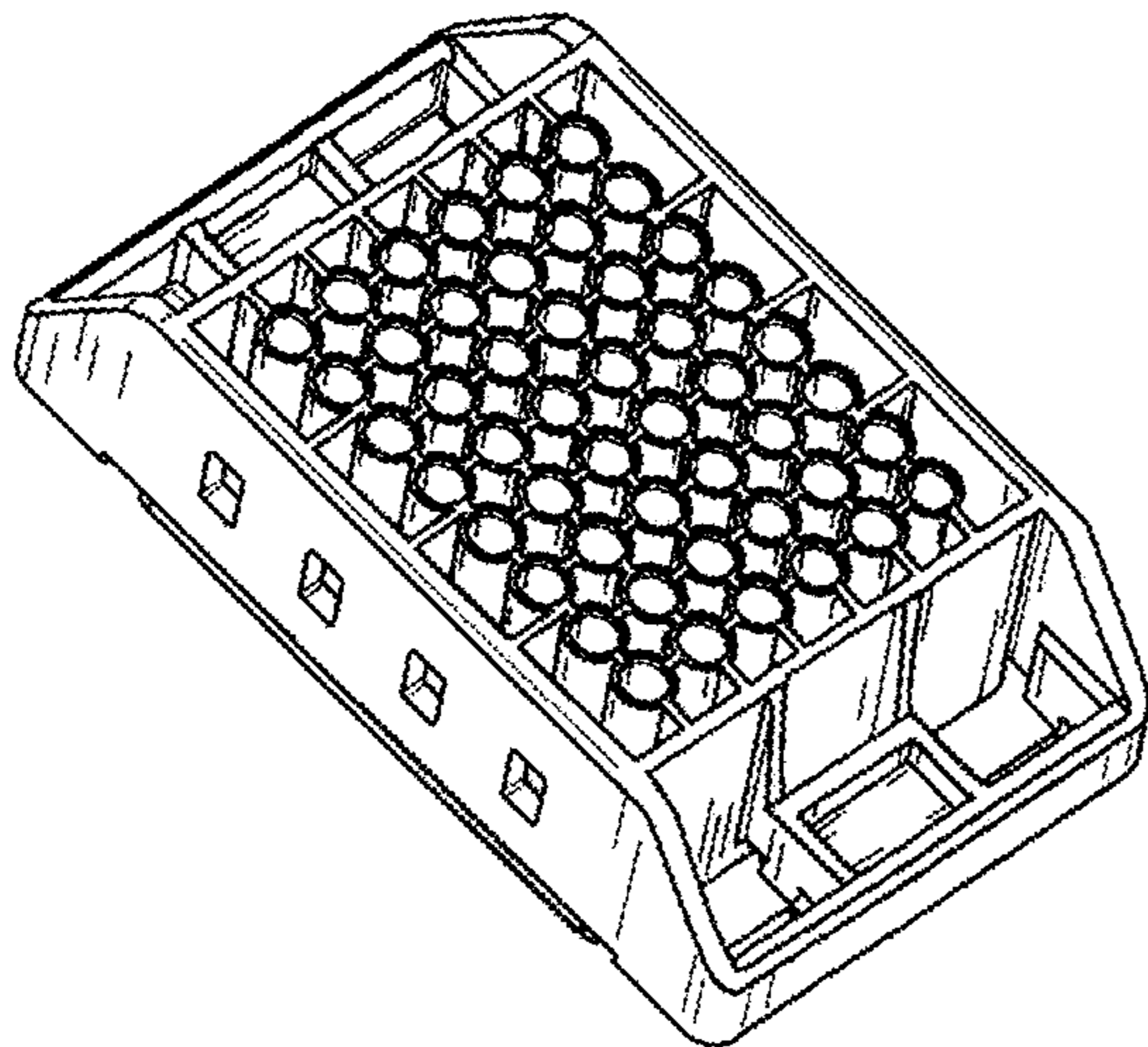
The ornamental design of a base for a power distribution module, as shown and described.

DESCRIPTION

FIG. 1 is a bottom perspective view of a base for a power distribution module showing my new design; FIG. 2 is a top perspective view thereof; FIG. 3 is a left side elevation view thereof; FIG. 4 is a right side elevation view thereof; FIG. 5 is a front elevation view thereof; FIG. 6 is a rear elevation view thereof; FIG. 7 is a top plan view thereof; and, FIG. 8 is a bottom plan view thereof.

The broken lines in the drawing views represent unclaimed portions of the power distribution module, which are shown for illustration purposes only and form no part of the claimed design.

1 Claim, 3 Drawing Sheets



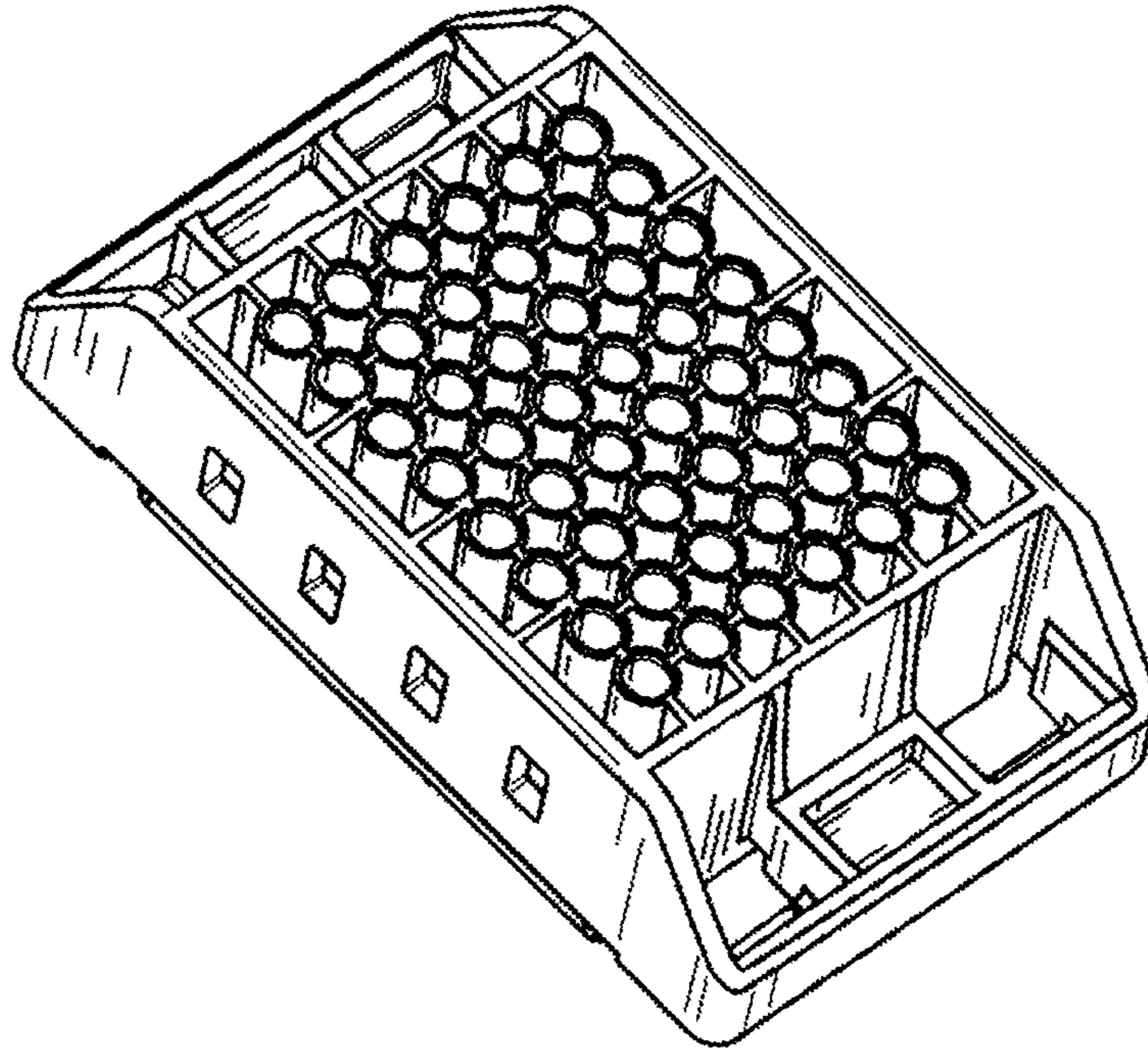


FIG. 1

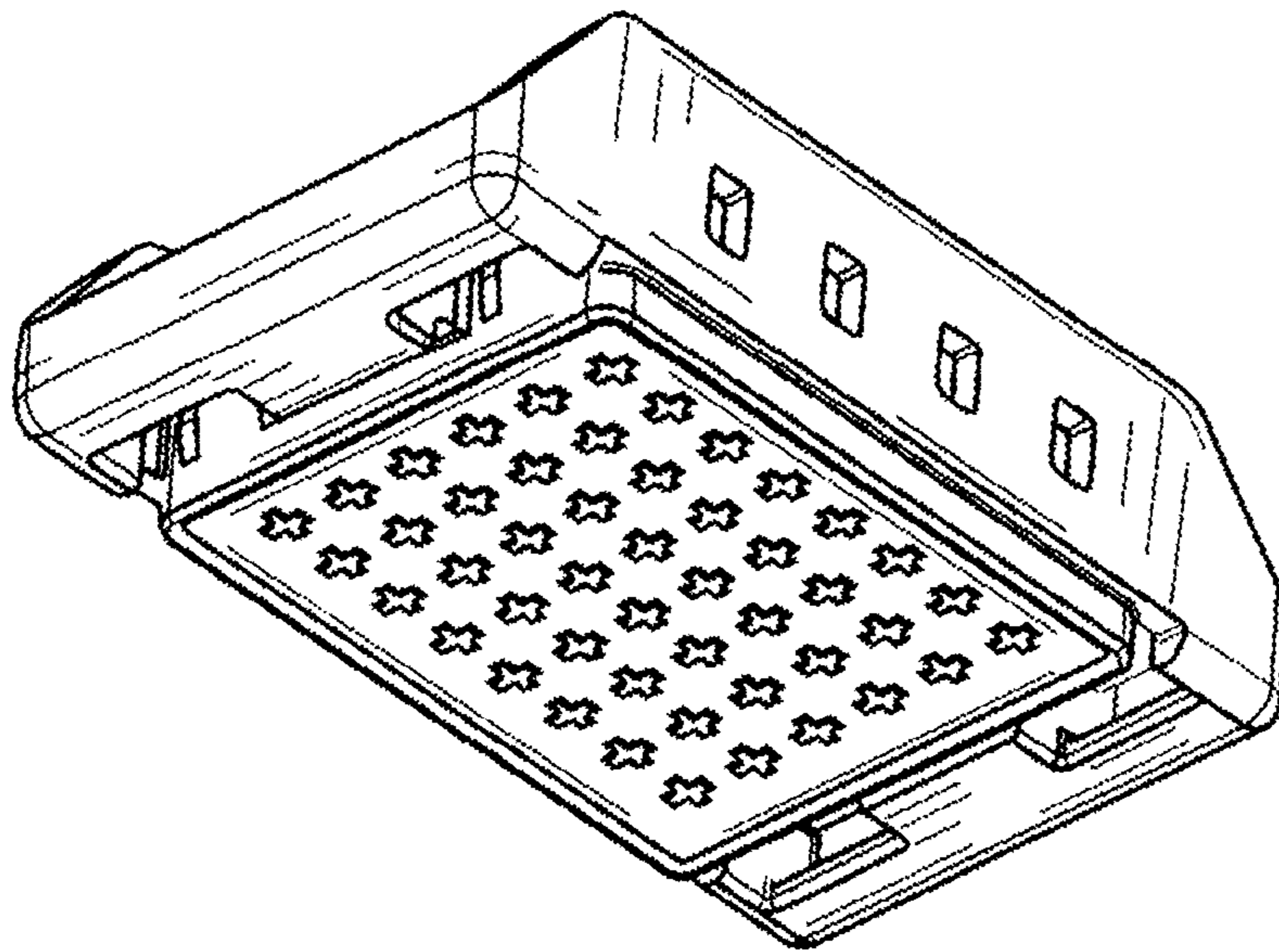


FIG. 2

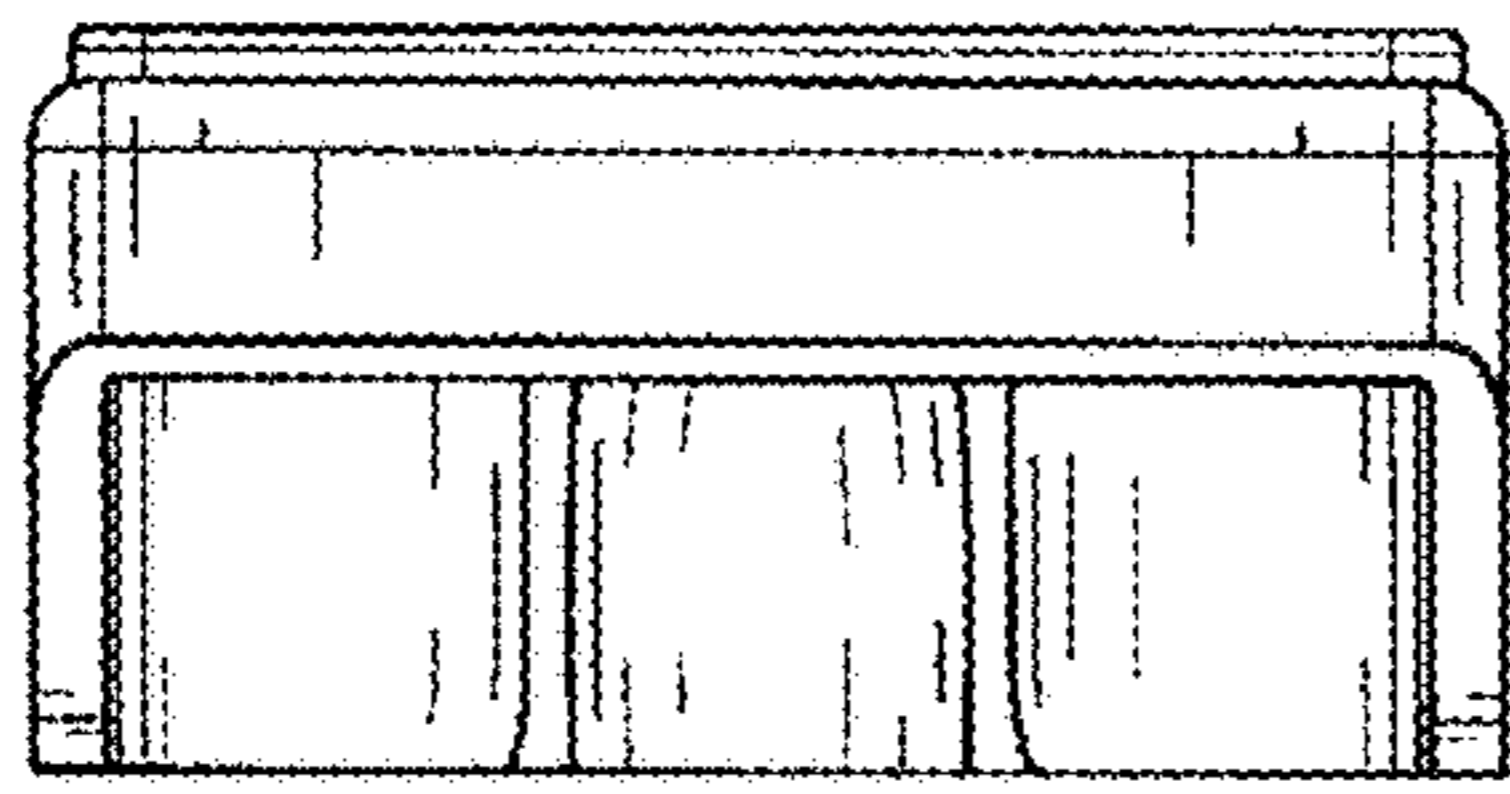


FIG. 3

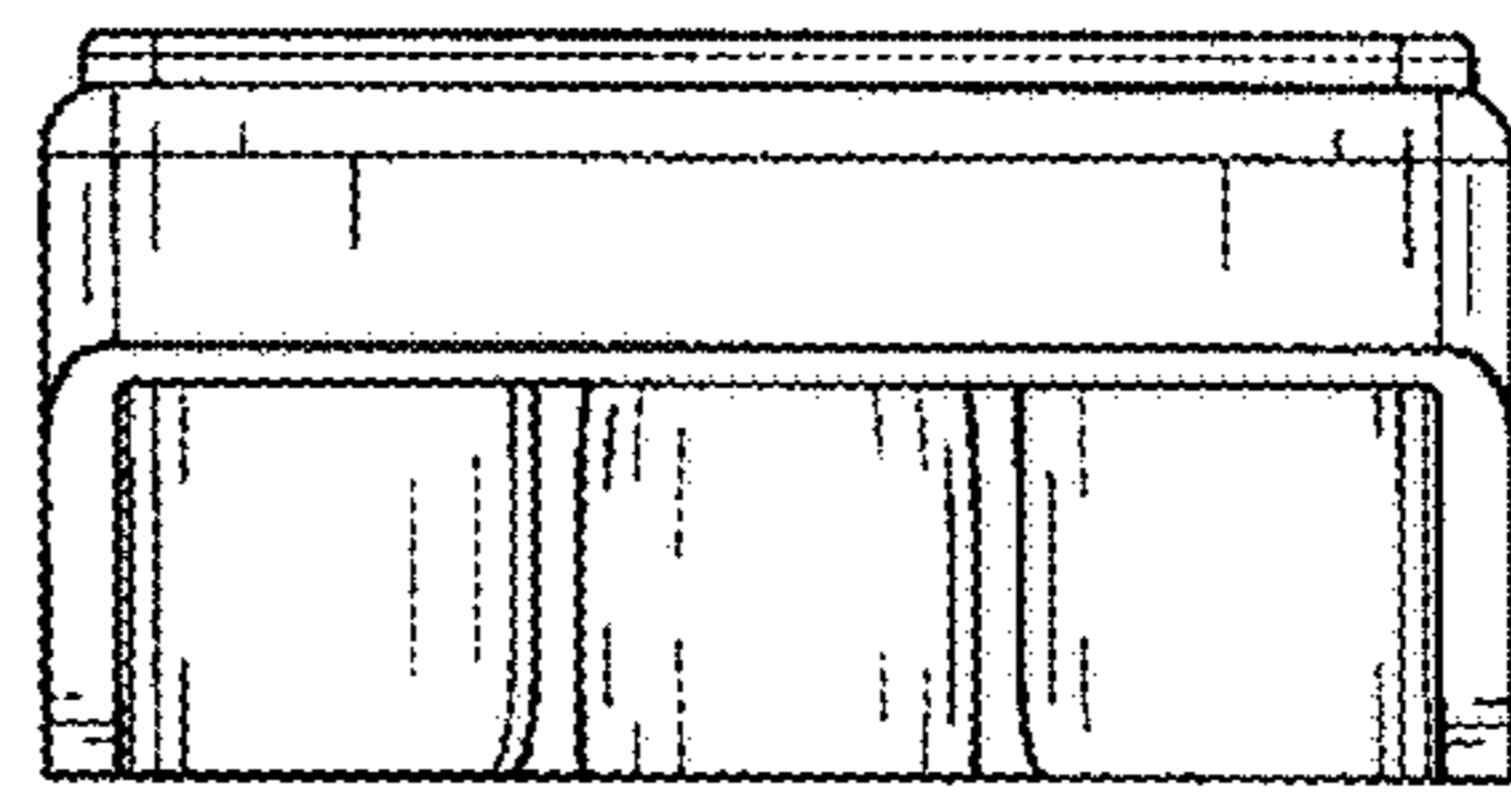


FIG. 4

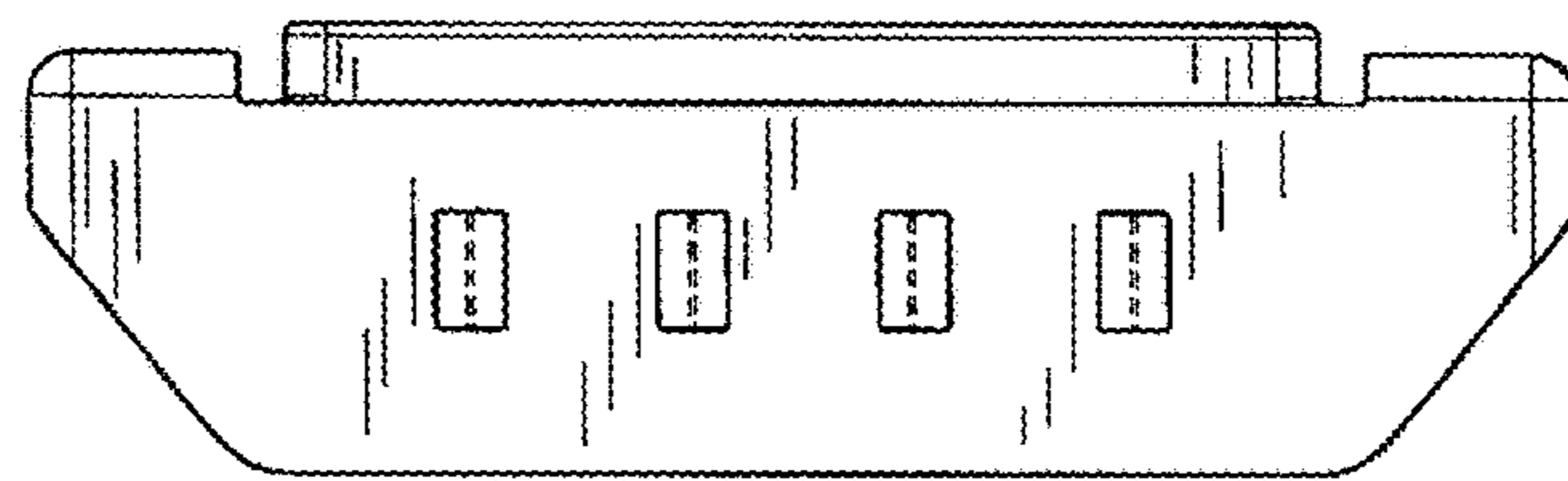


FIG. 5

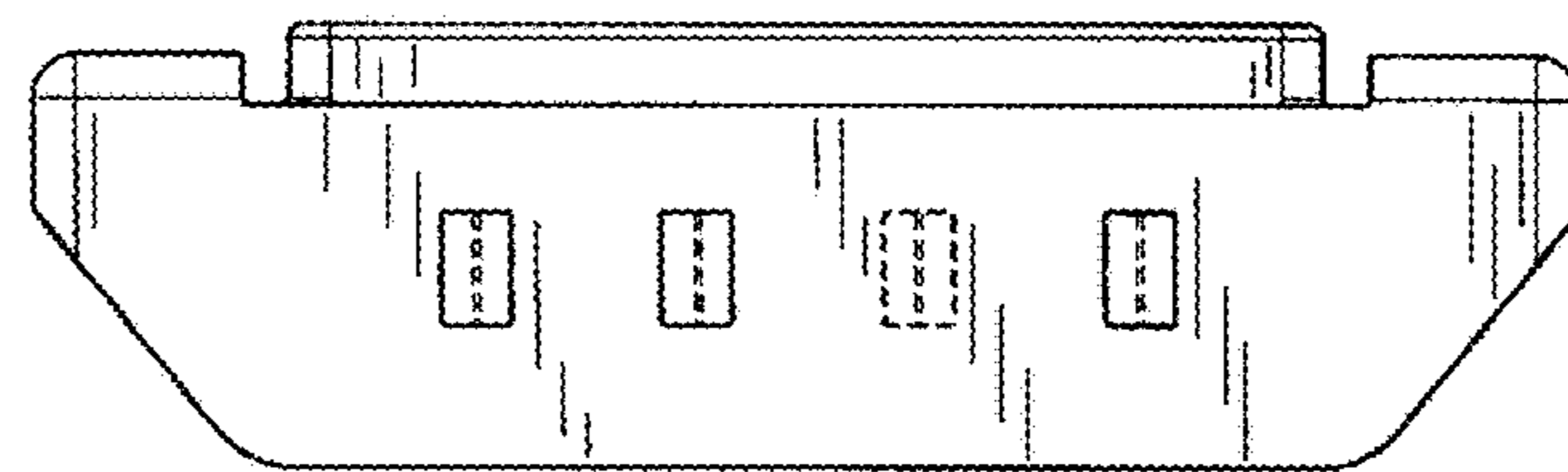


FIG. 6

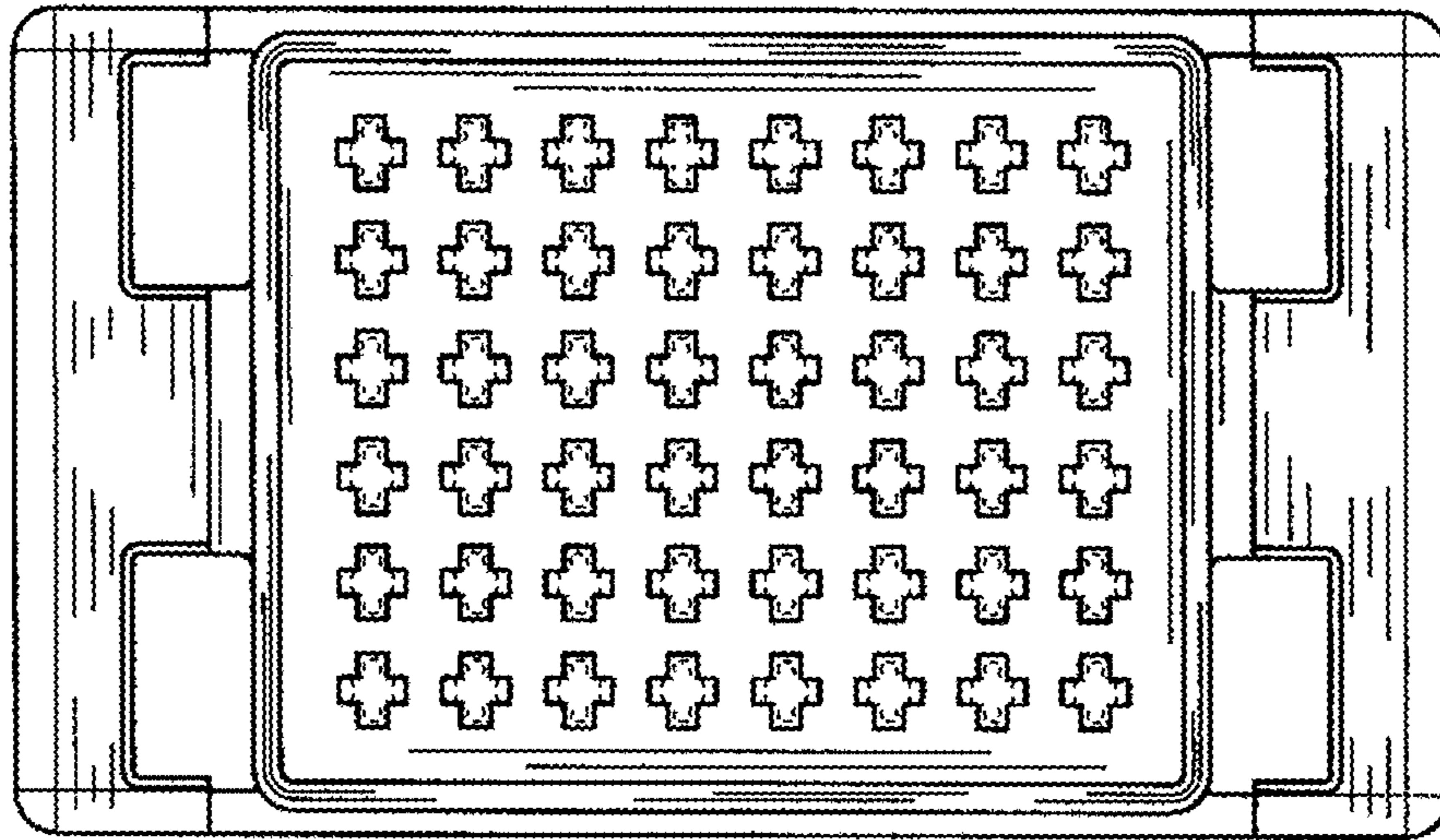


FIG. 7

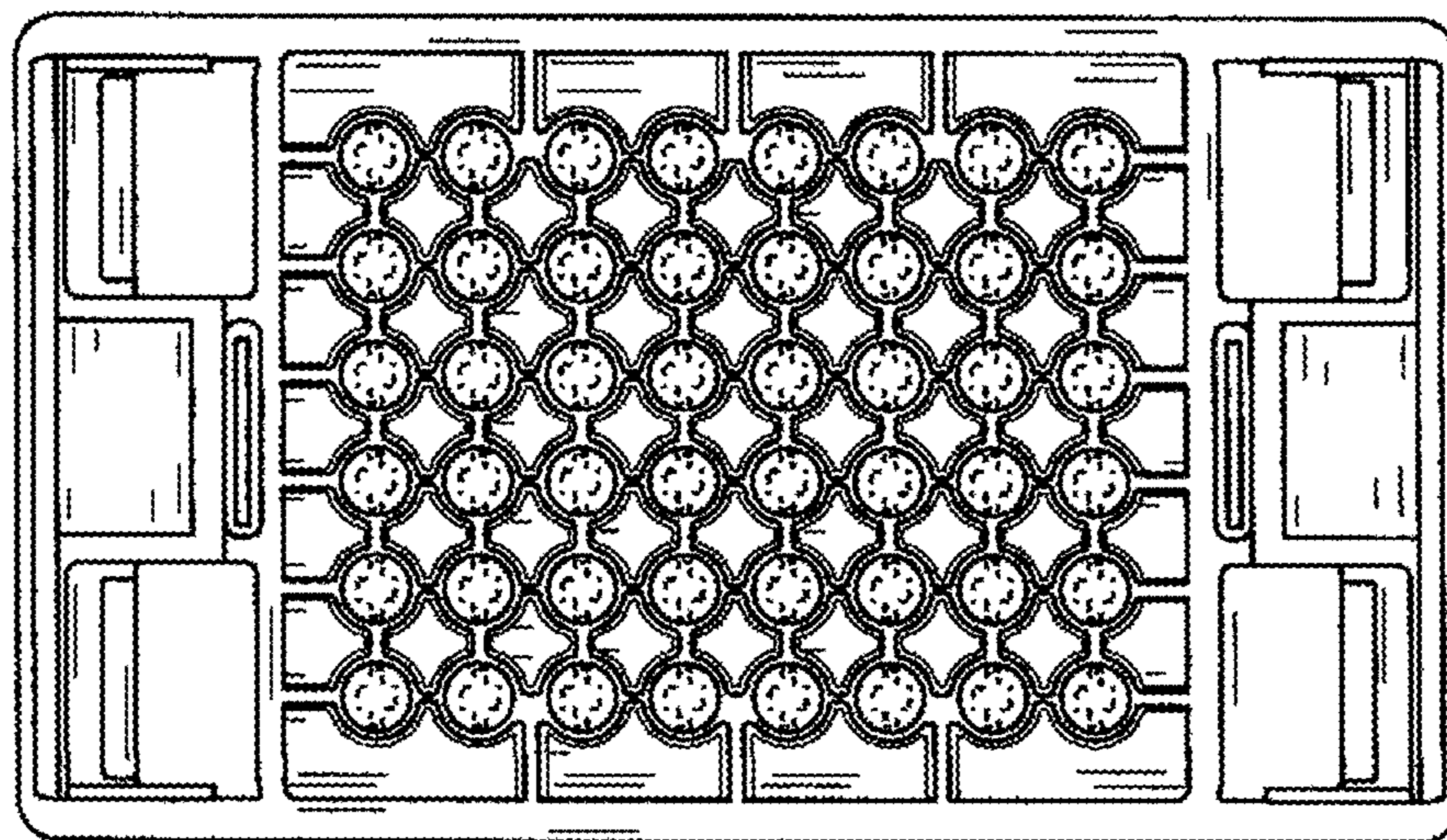


FIG. 8