



US00D796448S

(12) **United States Design Patent** (10) **Patent No.:** **US D796,448 S**
Mielnik et al. (45) **Date of Patent:** **** *Sep. 5, 2017**

(54) **HOODED CABLE PLUG**

D595,170 S * 6/2009 Masters D10/78
D702,644 S * 4/2014 Tseng D13/147
D769,246 S * 10/2016 Mielnik D14/433
2016/0278230 A1* 9/2016 Mielnik H05K 7/1474

(71) Applicant: **ABB Schweiz AG**, Baden (CH)

(72) Inventors: **David Mielnik**, Painesville, OH (US);
Richard Ogorek, Sagamore Hills, OH (US);
John Piunno, Painesville, OH (US);
Thomas Heilman, Wickliffe, OH (US);
Krzysztof Miedza, Bay Village, OH (US);
Brian Milliff, Cleveland, OH (US)

* cited by examiner

Primary Examiner — Daniel Bui
(74) *Attorney, Agent, or Firm* — Taft Stettinius & Hollister LLP

(73) Assignee: **ABB Schweiz AG**, Baden (CH)

(*) Notice: This patent is subject to a terminal disclaimer.

(**) Term: **14 Years**

(21) Appl. No.: **29/526,159**

(22) Filed: **May 7, 2015**

(51) **LOC (10) Cl.** **13-03**

(52) **U.S. Cl.**
USPC **D13/147**

(58) **Field of Classification Search**
USPC D13/110, 123, 133, 147, 154, 184, 199
CPC H05K 7/14; H05K 7/1401; H05K 7/1474;
H01R 24/64
See application file for complete search history.

(56) **References Cited**

U.S. PATENT DOCUMENTS

D365,808 S * 1/1996 Alden D14/240
D366,455 S * 1/1996 Cheng D13/147

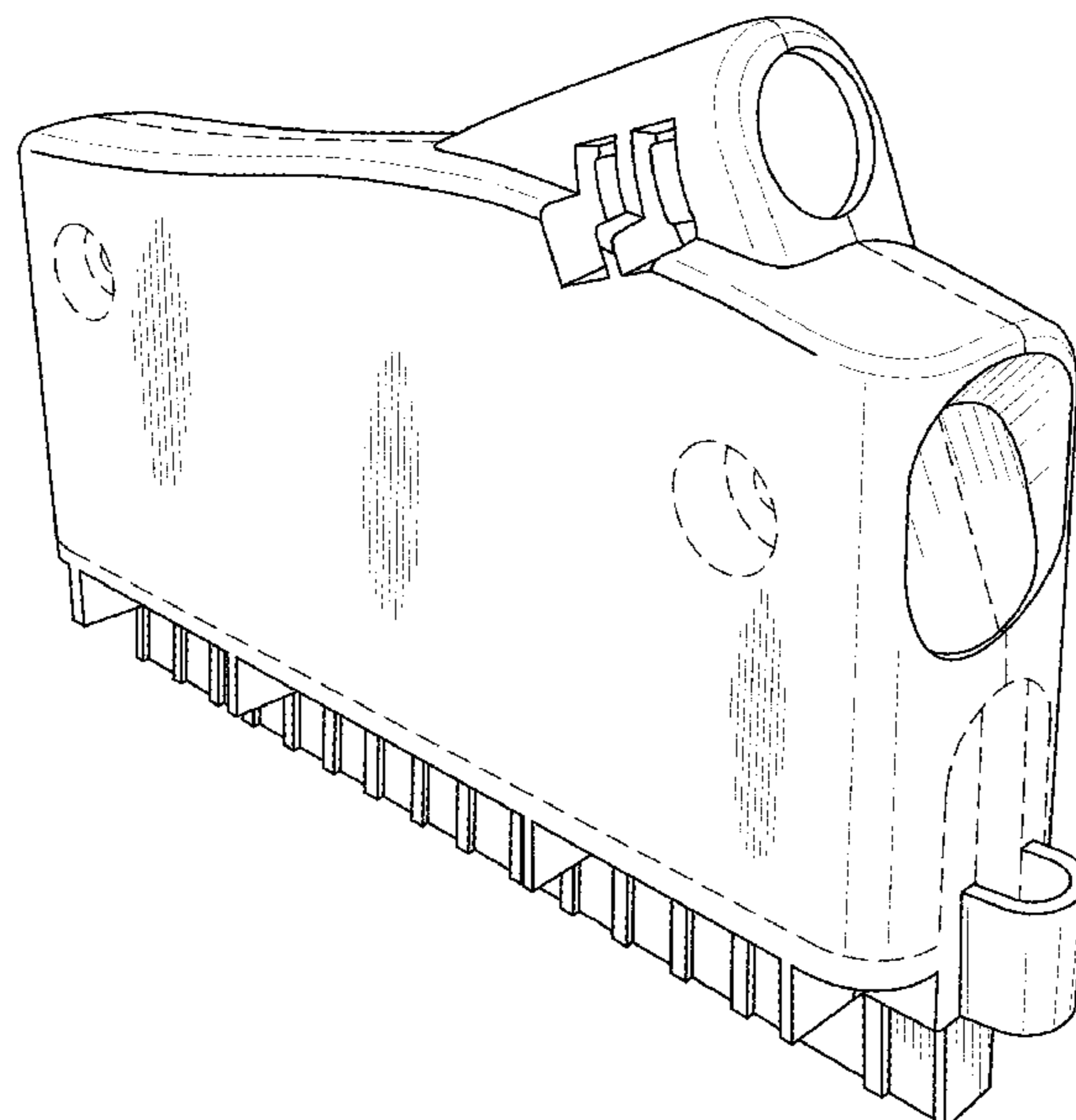
(57) **CLAIM**

The ornamental design of a hooded cable plug, substantially as shown and described.

DESCRIPTION

FIG. 1 is a front and left side perspective view of a hooded cable plug in accordance with the present invention;
FIG. 2 is a front and right side perspective view of the hooded cable plug in FIG. 1;
FIG. 3 is a left side elevation view thereof;
FIG. 4 is a front elevation view thereof;
FIG. 5 is a rear elevation view thereof;
FIG. 6 is a right side elevation view thereof;
FIG. 7 is a top plan view thereof; and,
FIG. 8 is a bottom plan view thereof.
The broken line in the drawing views represents unclaimed environment only and forms no part of the claimed design.

1 Claim, 6 Drawing Sheets



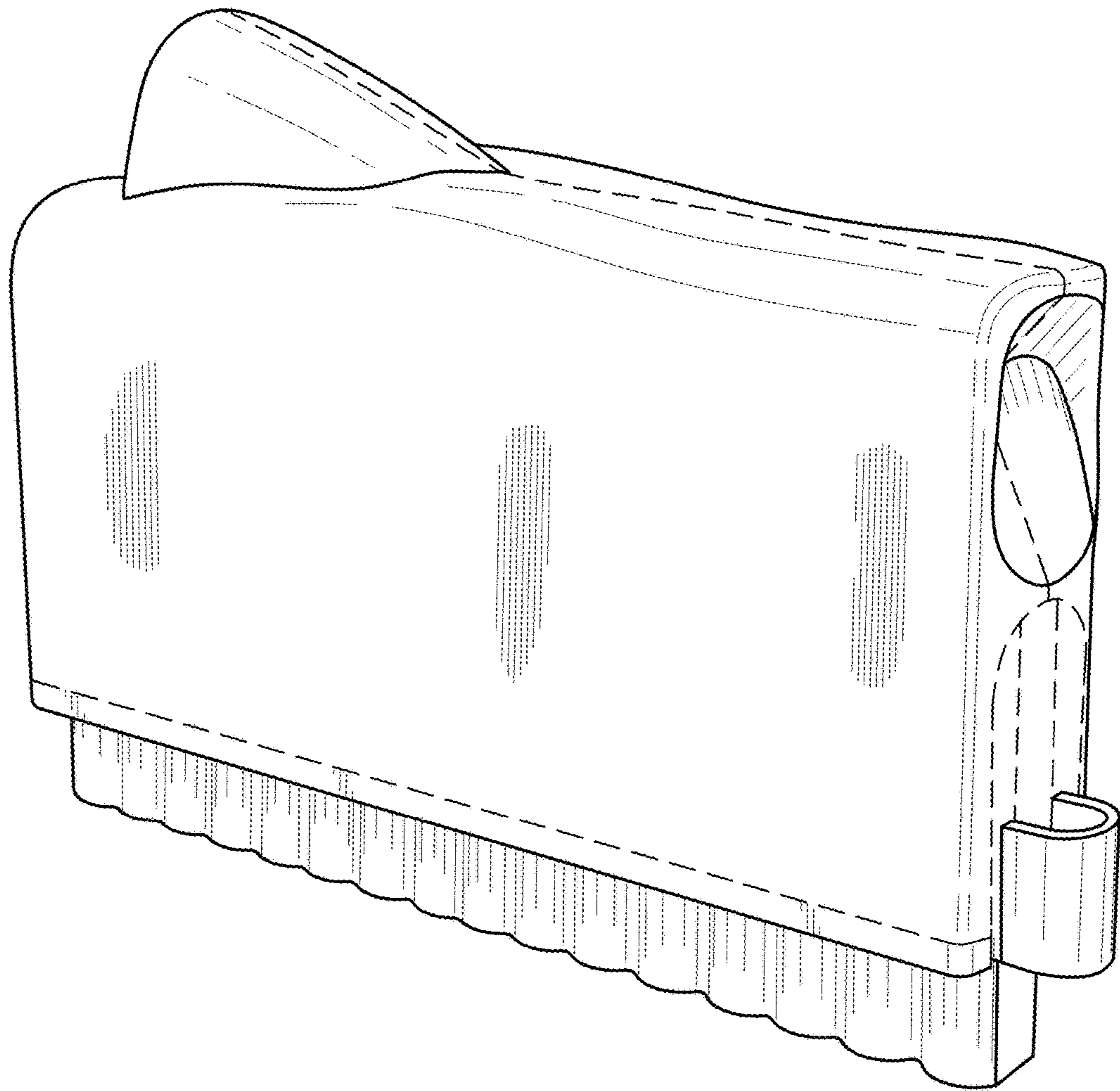


FIG. 1

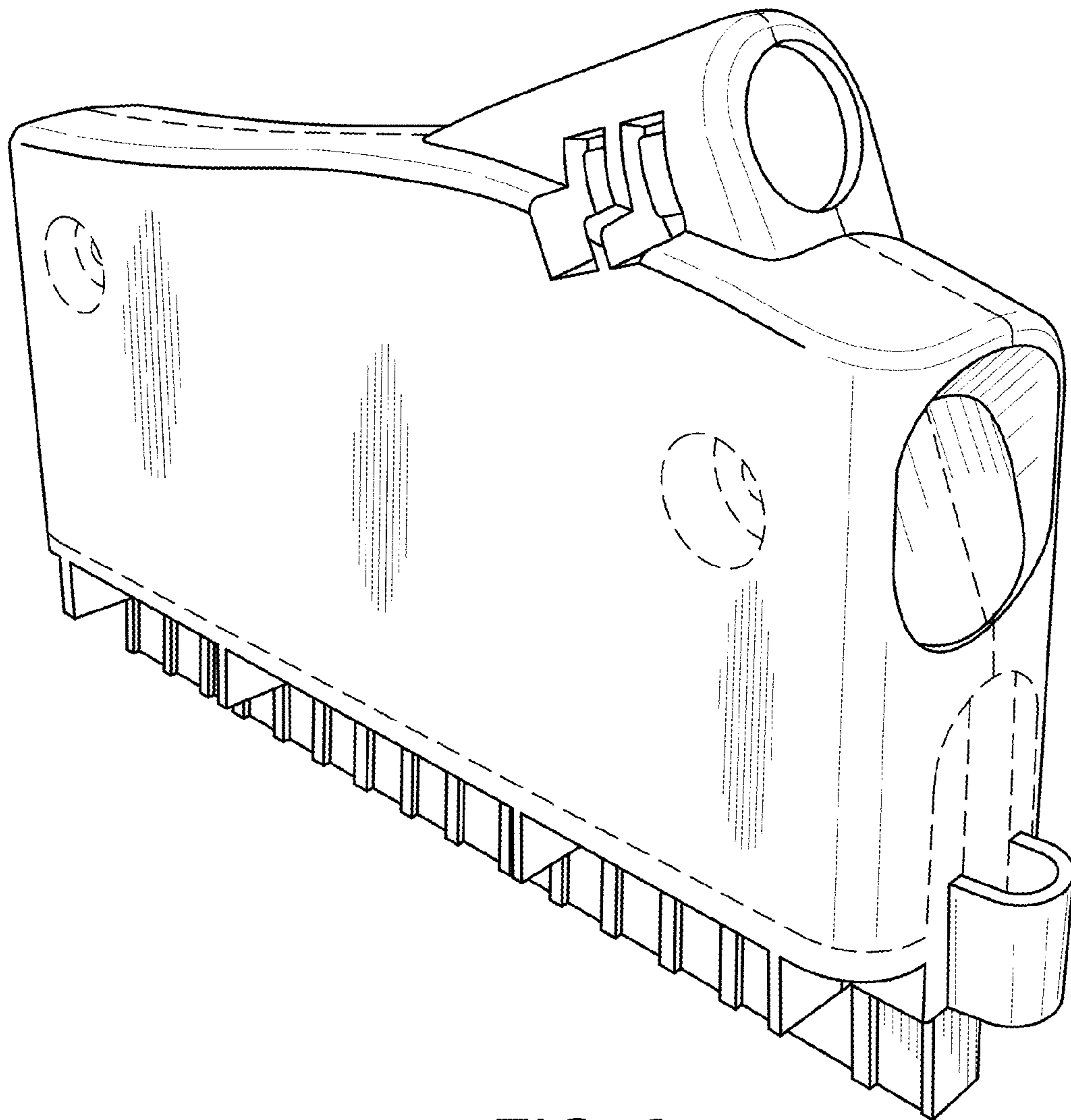


FIG. 2

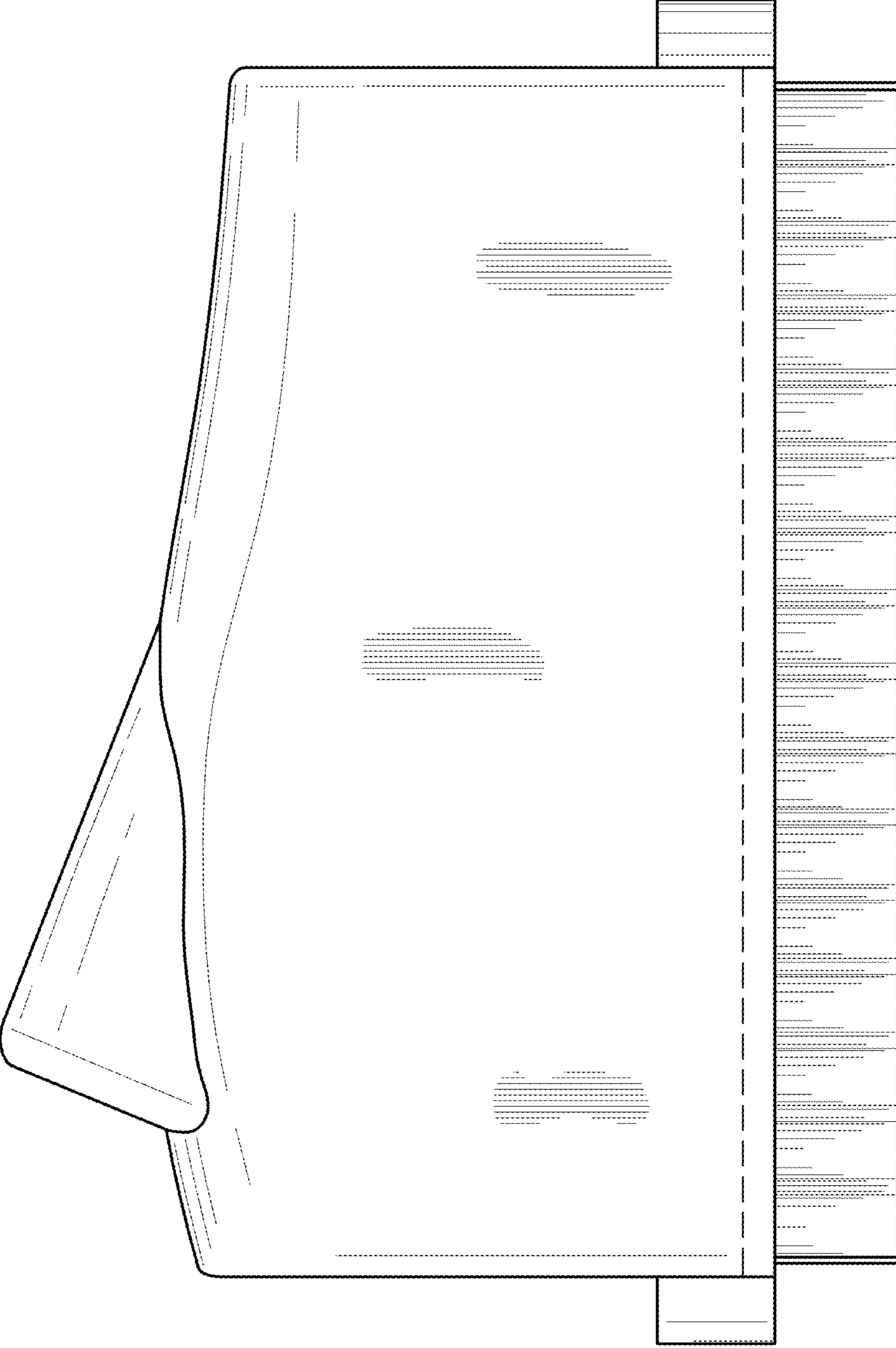


FIG. 3

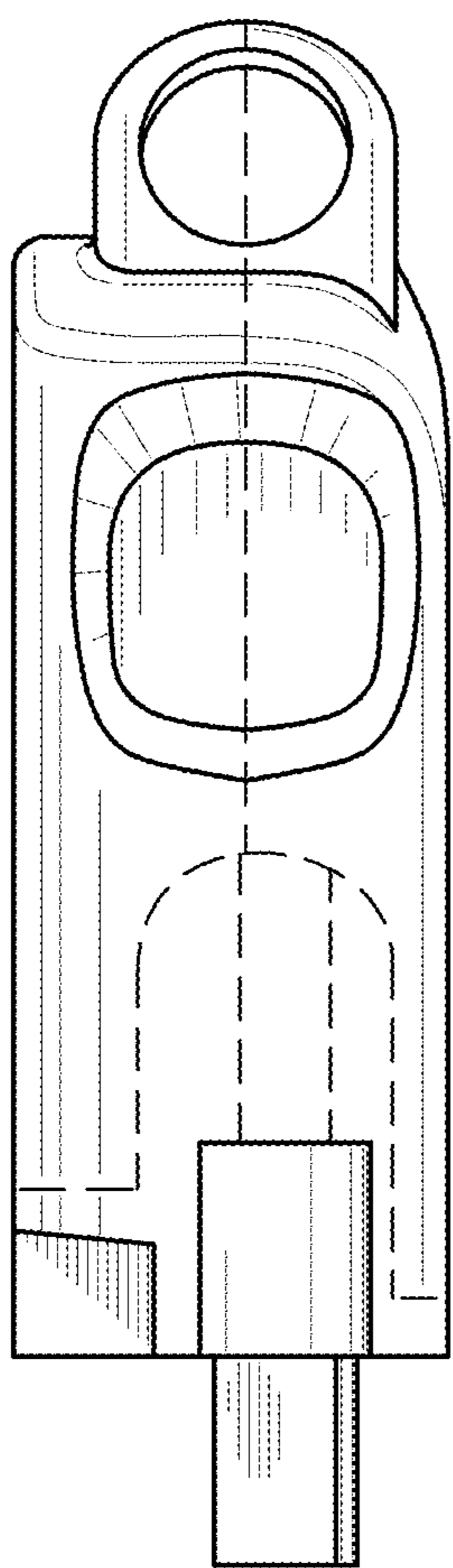


FIG. 4

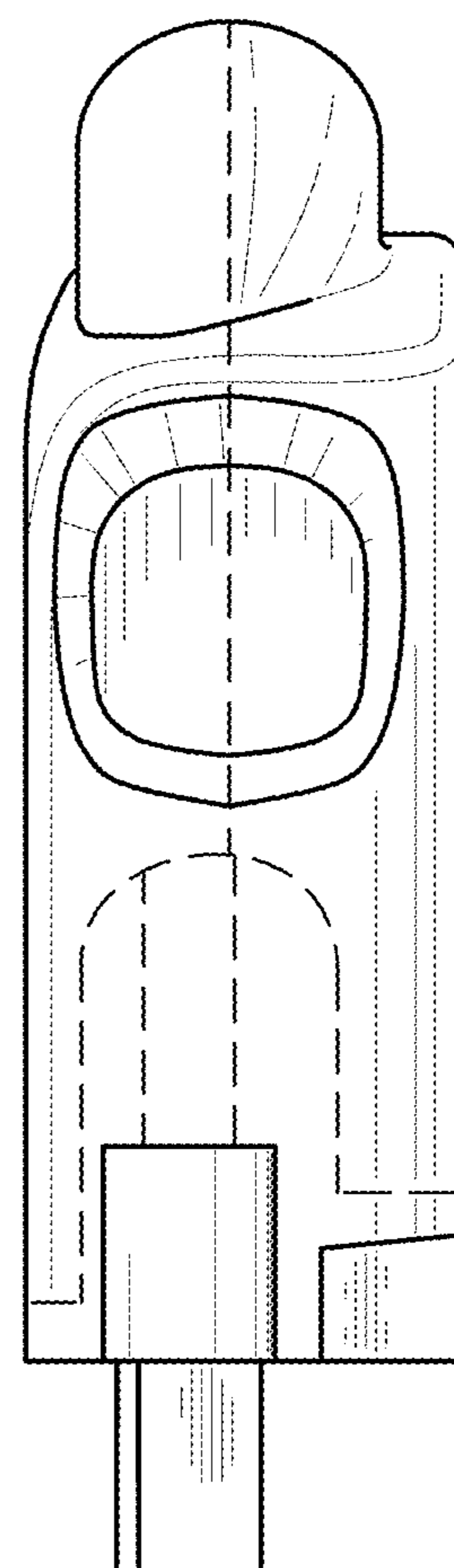


FIG. 5

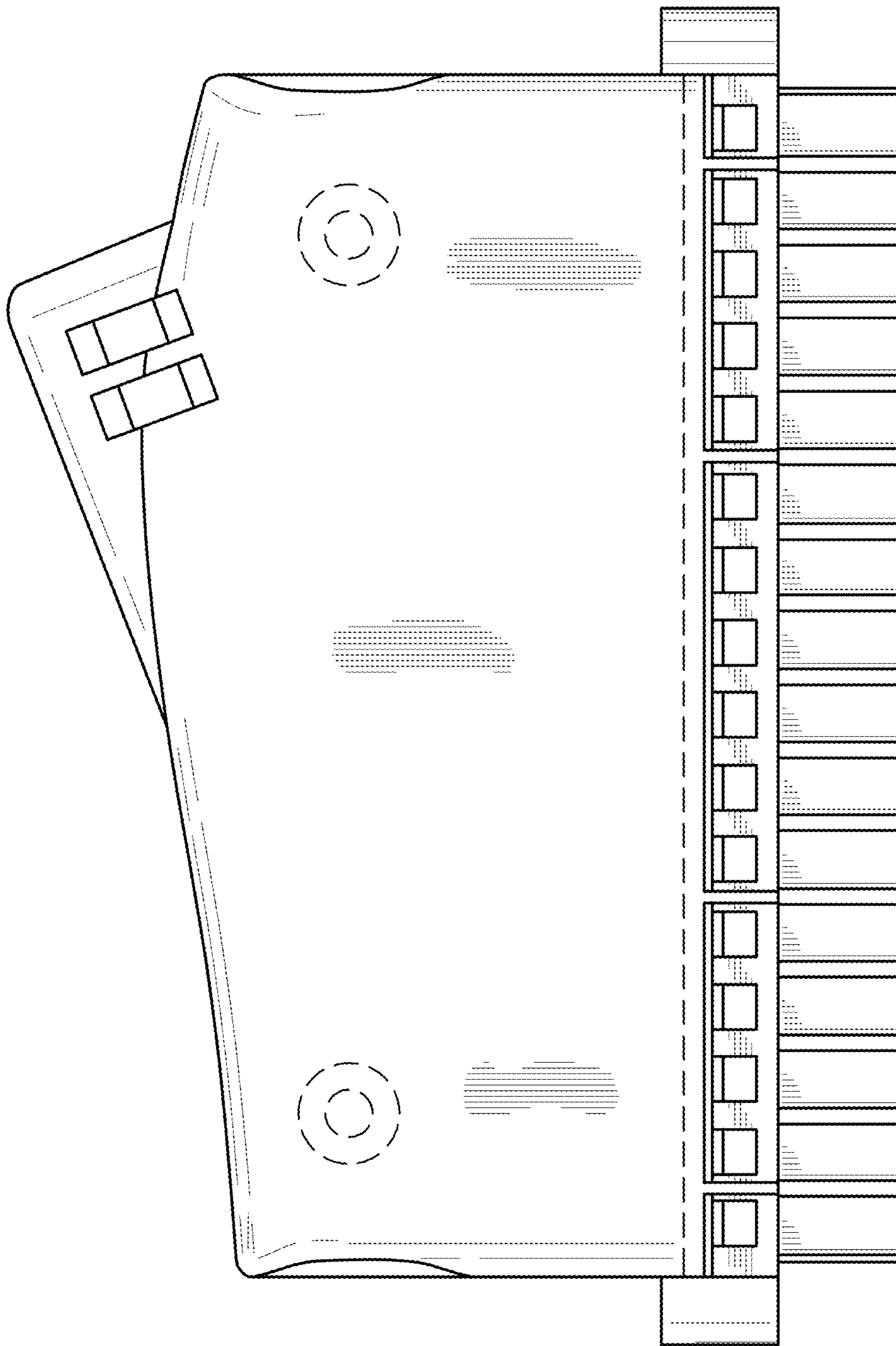


FIG. 6

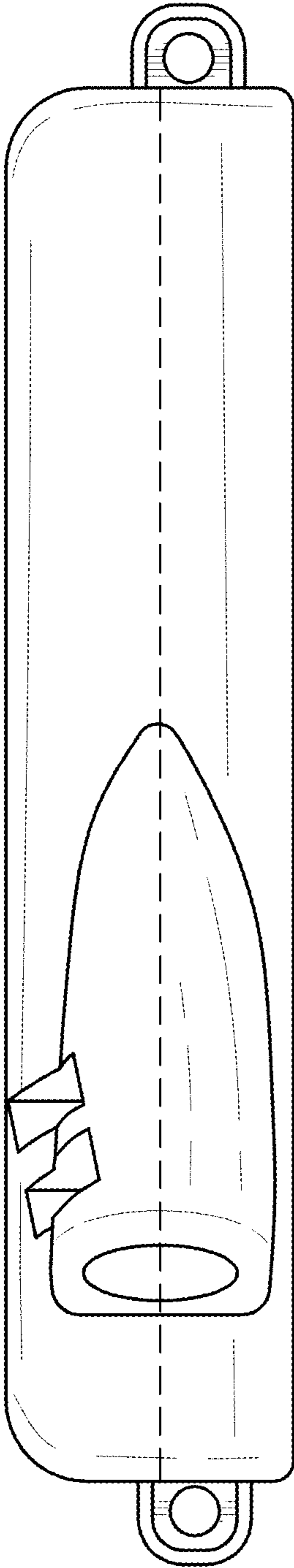


FIG. 7

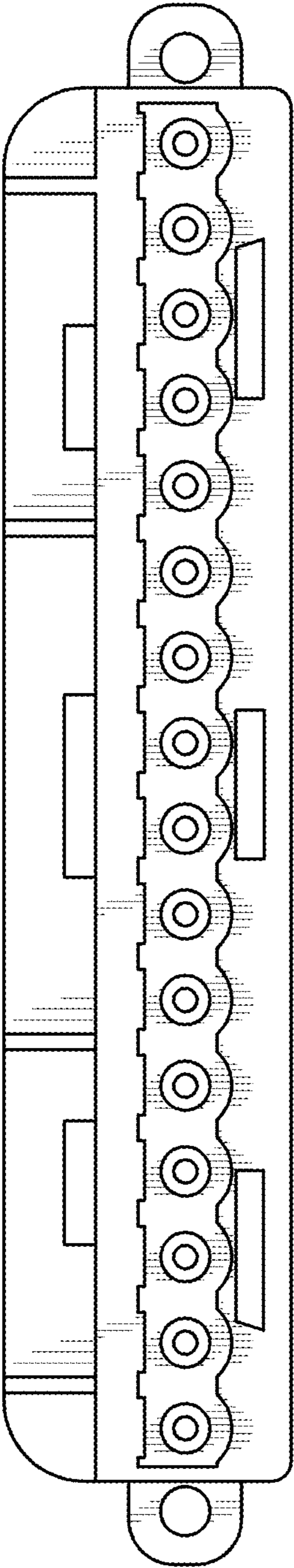


FIG. 8