



US00D796447S

(12) **United States Design Patent**
Kusano et al.

(10) **Patent No.:** **US D796,447 S**

(45) **Date of Patent:** **** Sep. 5, 2017**

(54) **POWER PLUG**

(71) Applicant: **Sonos, Inc.**, Santa Barbara, CA (US)

(72) Inventors: **Mieko Kusano**, Santa Barbara, CA (US); **Roland Bird**, Eindhoven (NL); **Niels van Hoof**, Eindhoven (NL); **Lukasz Natkaniec**, Munich (DE); **Wilfred Wei**, Shanghai (CN)

(73) Assignee: **Sonos, Inc.**, Santa Barbara, CA (US)

(**) Term: **14 Years**

(21) Appl. No.: **29/523,318**

(22) Filed: **Apr. 8, 2015**

(51) **LOC (10) Cl.** **13-03**

(52) **U.S. Cl.**
USPC **D13/146**

(58) **Field of Classification Search**
USPC D13/123, 133, 146, 154, 184, 199
CPC H01R 13/62; H01R 13/623; H01R 13/659;
H01R 13/64; H01R 13/71
See application file for complete search history.

(56) **References Cited**

U.S. PATENT DOCUMENTS

D253,409 S * 11/1979 Voelkert D13/133
D422,558 S * 4/2000 Reiss D13/133

D434,377 S * 11/2000 Bussett D13/133
D716,225 S 10/2014 Akana et al.
2013/0183005 A1* 7/2013 Lu G02B 6/3887
385/78
2015/0135491 A1* 5/2015 Leng H01R 13/6335
24/596.1
2016/0294135 A1* 10/2016 Susini H01R 13/64

* cited by examiner

Primary Examiner — Daniel Bui

(74) *Attorney, Agent, or Firm* — KPPB LLP

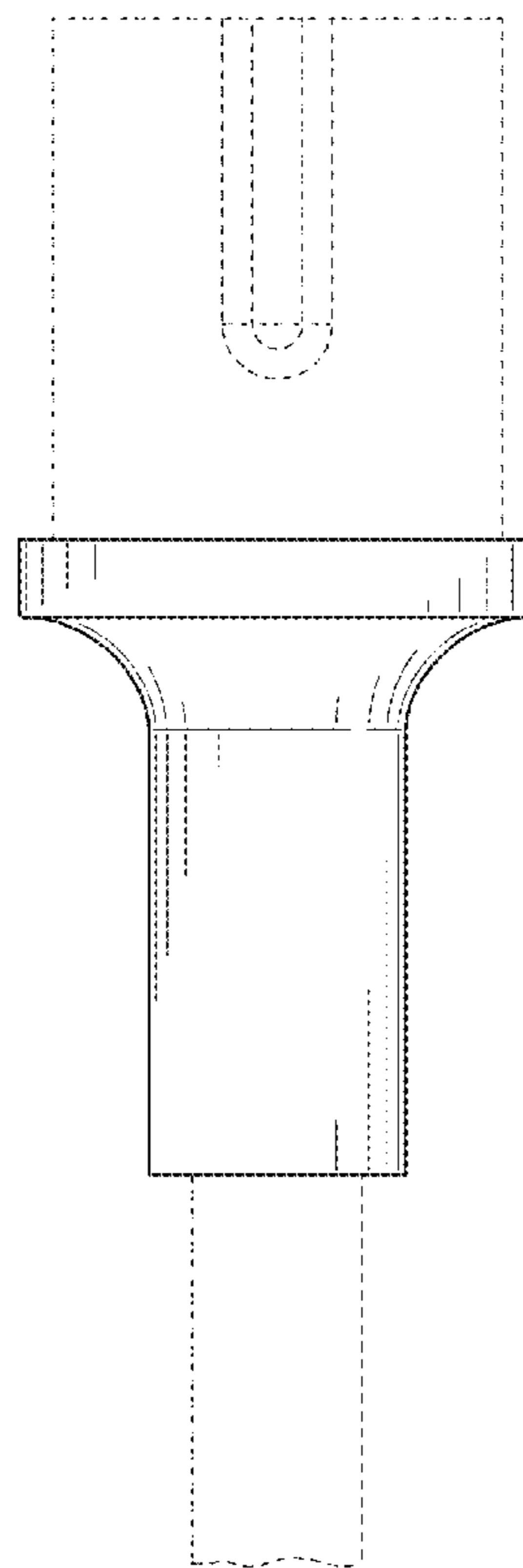
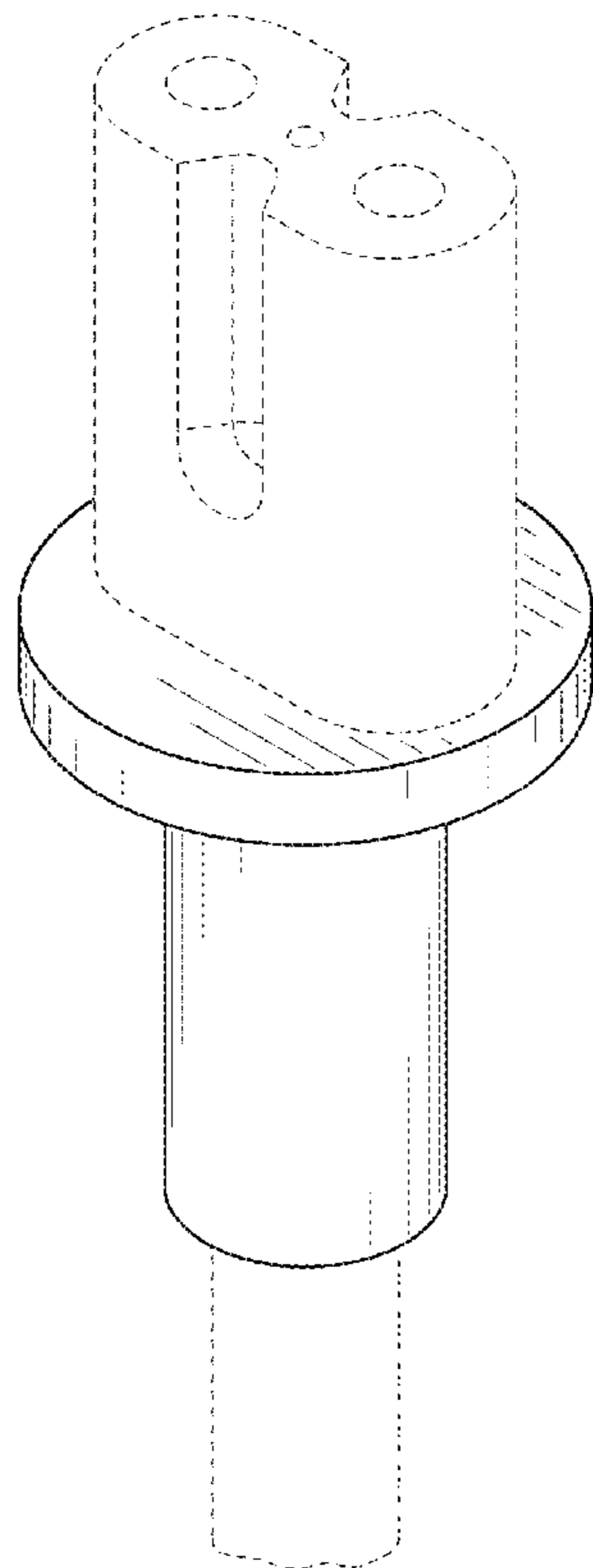
(57) **CLAIM**

The ornamental design for a “power plug,” as shown and described in FIGS. 1-7.

DESCRIPTION

FIG. 1 is a perspective view of a power plug showing our new design;
FIG. 2 is a front elevation view thereof;
FIG. 3 is a rear elevation view thereof;
FIG. 4 is a left side elevation view thereof;
FIG. 5 is a right side elevation view thereof;
FIG. 6 is a top plan view thereof; and,
FIG. 7 is a bottom plan view thereof.
The broken lines in the figure drawings are included to show unclaimed environment only and form no part of the claimed design.

1 Claim, 3 Drawing Sheets



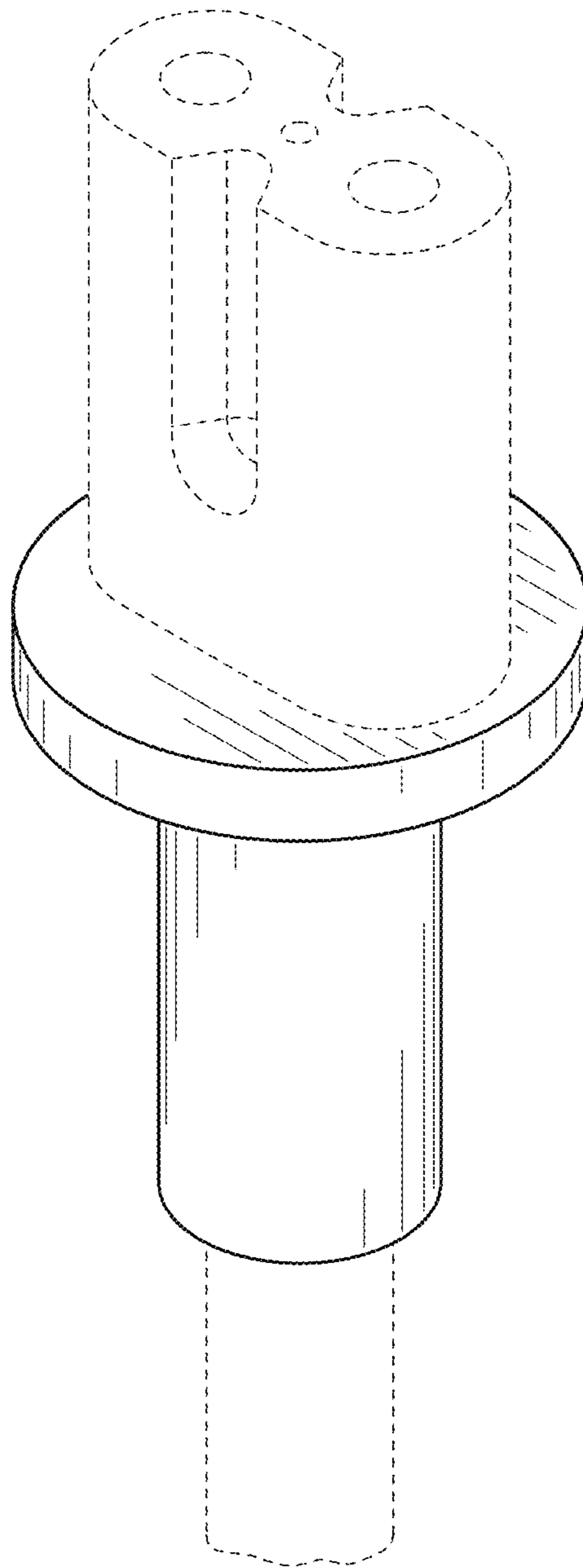


FIG. 1

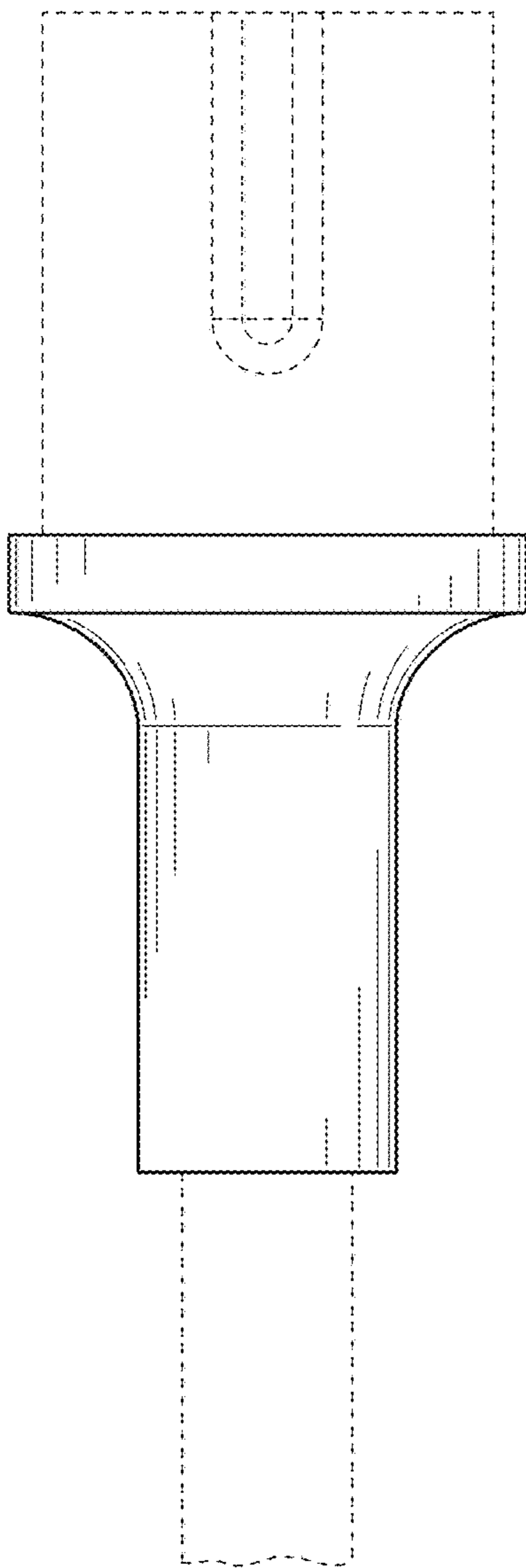


FIG. 2

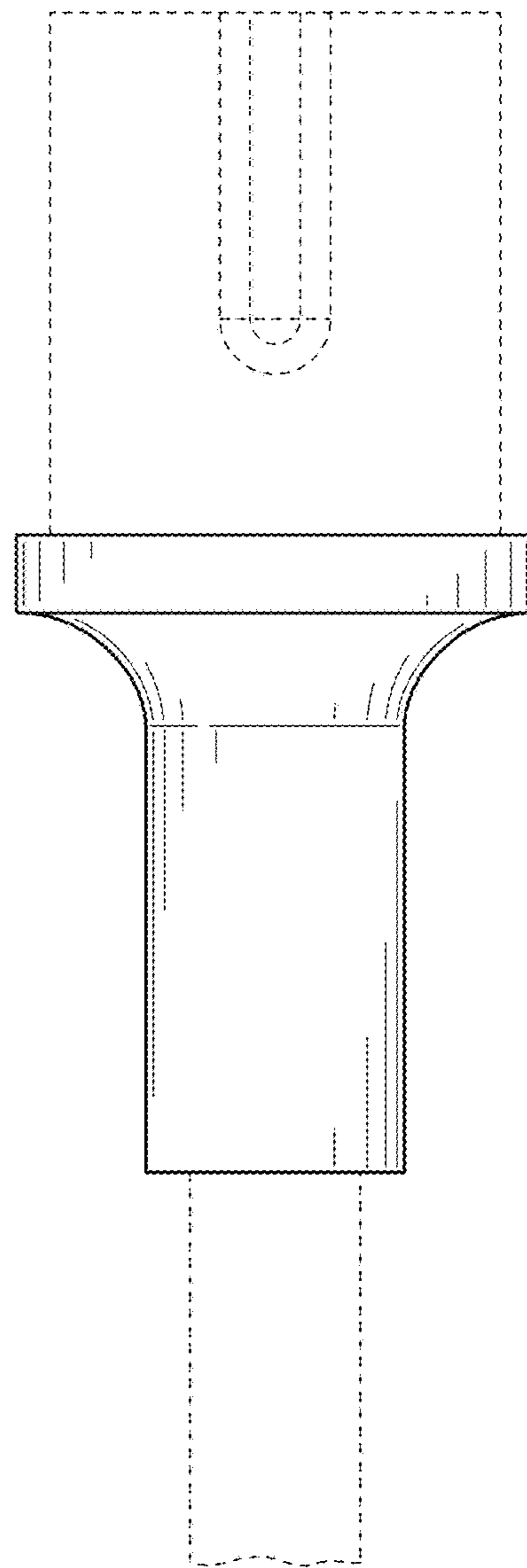


FIG. 3

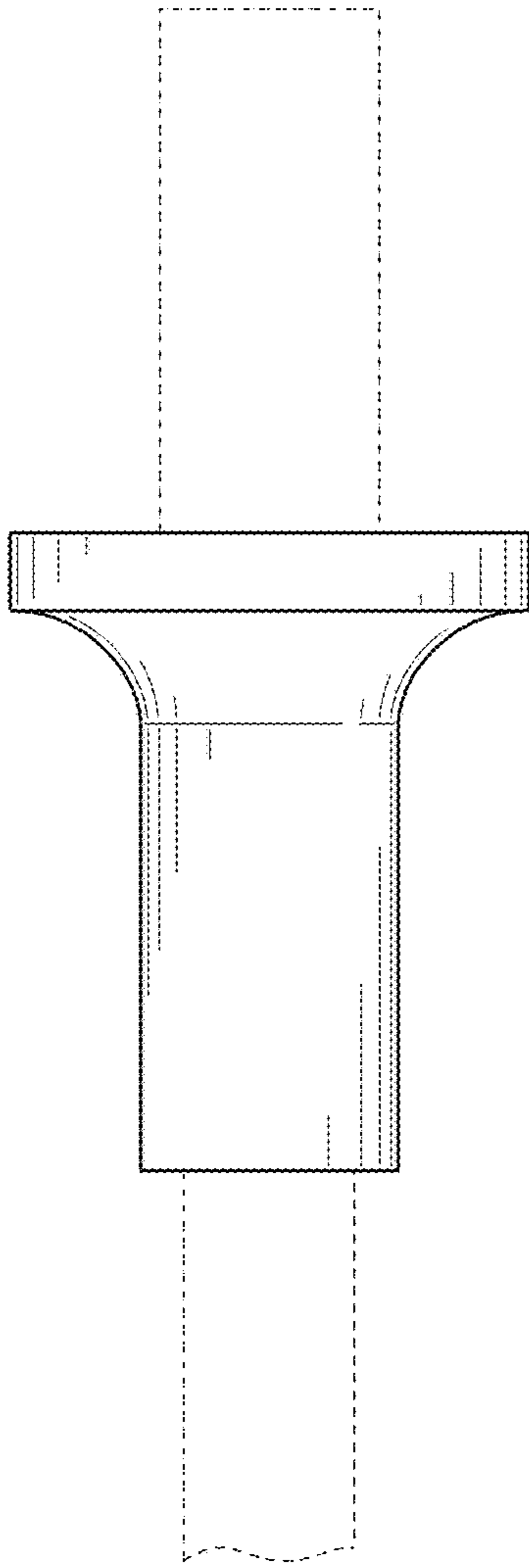


FIG. 4

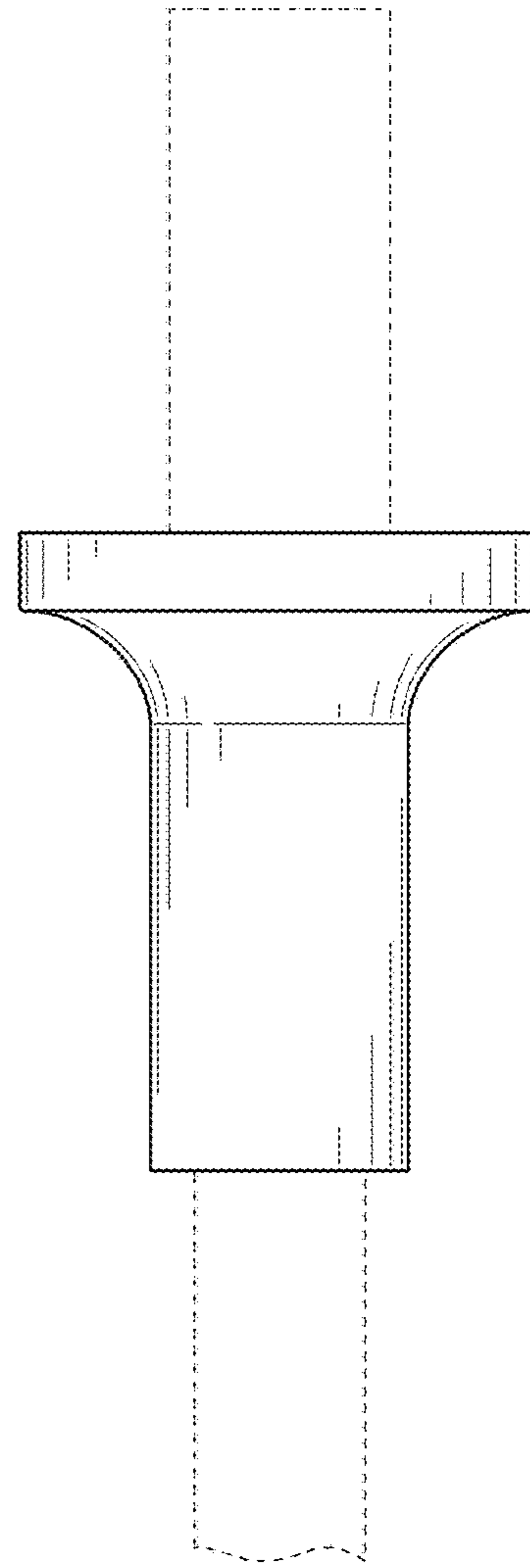


FIG. 5

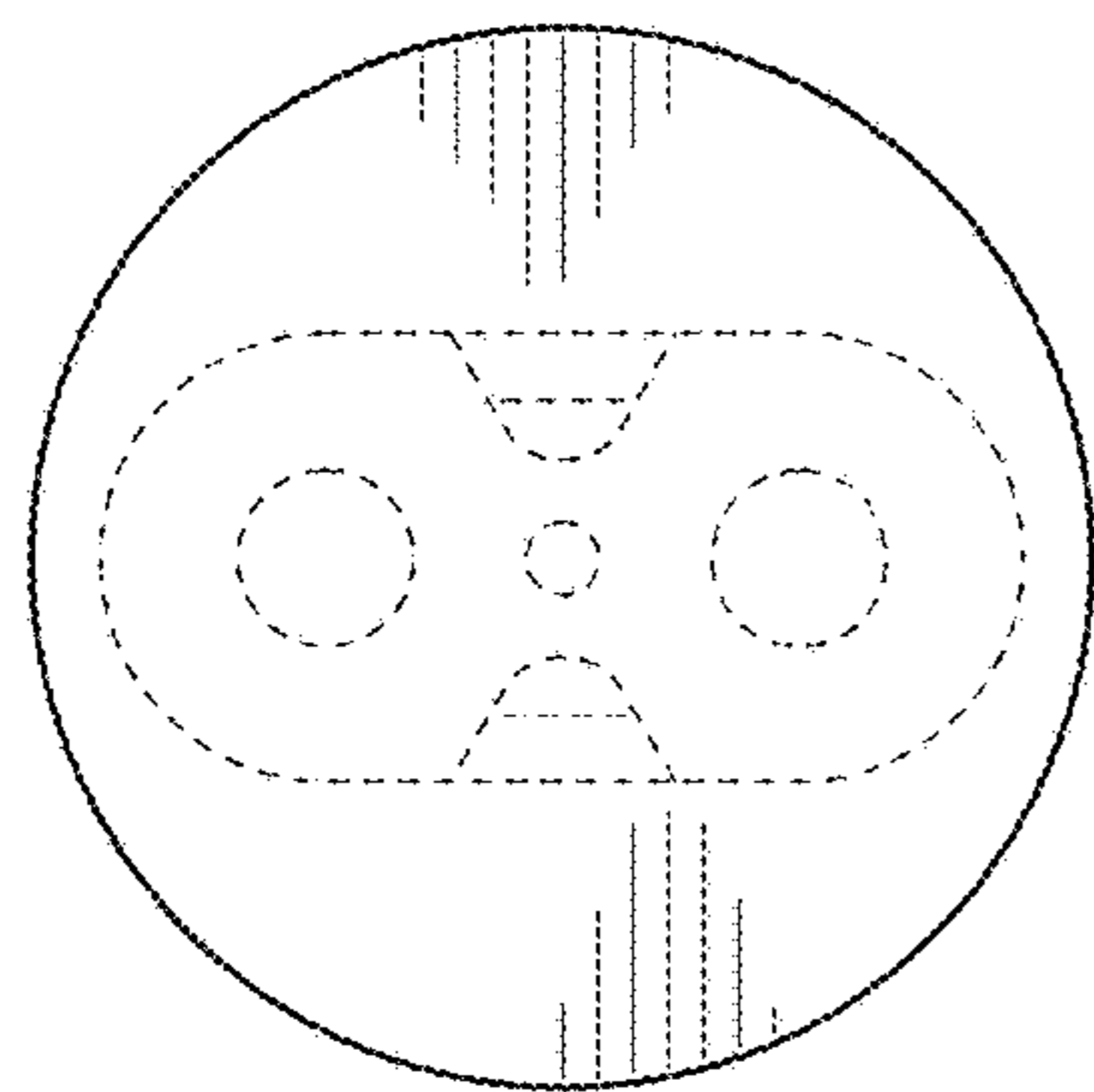


FIG. 6

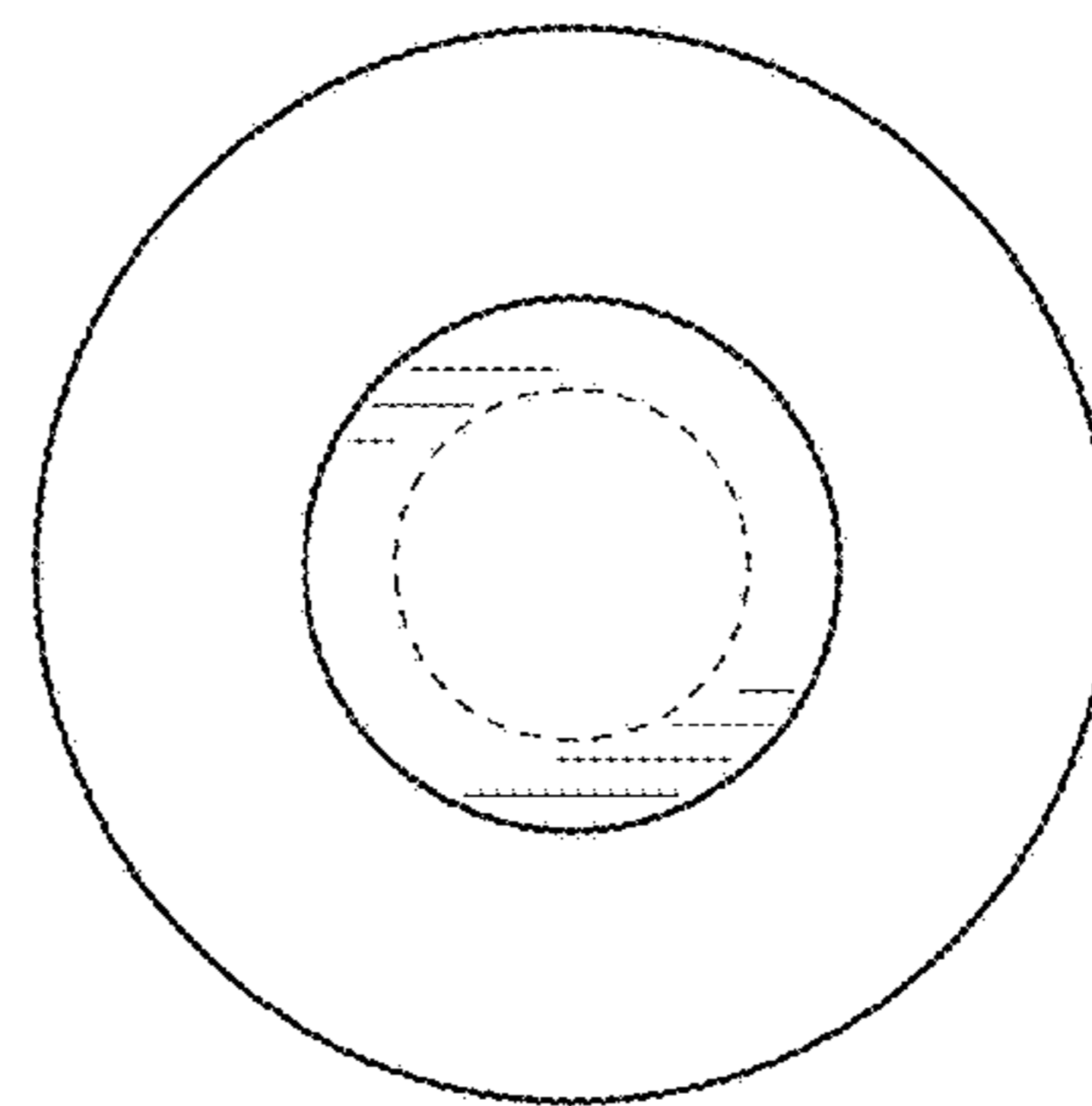


FIG. 7