



US00D796446S

(12) **United States Design Patent** (10) **Patent No.:** **US D796,446 S**
Hahn et al. (45) **Date of Patent:** **** Sep. 5, 2017**

(54) **CAR CHARGER** D442,543 S * 5/2001 Krumenacker D13/107
D469,400 S * 1/2003 Shor D13/107
(71) Applicant: **NOMAD GOODS, INC.**, Santa Barbara, CA (US) 7,258,580 B1 * 8/2007 Ho H01R 13/7137
439/188
D563,873 S * 3/2008 Chen D13/144
(72) Inventors: **Brian Collin Hahn**, Summerland, CA D569,342 S * 5/2008 Suzuki D13/110
(US); **Noah Mateo Dentzel**, D628,560 S * 12/2010 Bodley D14/217
Summerland, CA (US) D656,896 S * 4/2012 Fung D13/110
D714,223 S * 9/2014 Huang D13/144

(73) Assignee: **Nomad Goods, Inc.**, Santa Barbara, CA (US)

(**) Term: **15 Years**

(21) Appl. No.: **29/537,884**

(22) Filed: **Aug. 29, 2015**

(51) **LOC (10) Cl.** **13-03**

(52) **U.S. Cl.**
USPC **D13/144**

(58) **Field of Classification Search**
USPC D13/144, 107, 110, 118, 119, 120, 133,
D13/154, 184, 199; D14/155, 217, 433;
320/65, 107, 108, 109; 363/13, 146;
439/300, 620, 638, 668, 669, 675, 825
CPC H01R 24/58; H01R 2201/26
See application file for complete search history.

(56) **References Cited**

U.S. PATENT DOCUMENTS

5,690,509 A * 11/1997 Eisenbraun H01R 24/58
439/490
5,967,851 A * 10/1999 Ozer H01R 24/58
439/620.28

* cited by examiner

Primary Examiner — Derrick Holland

Assistant Examiner — Jennifer O King

(74) *Attorney, Agent, or Firm* — SoCal IP Law Group
LLP; Steven C. Sereboff

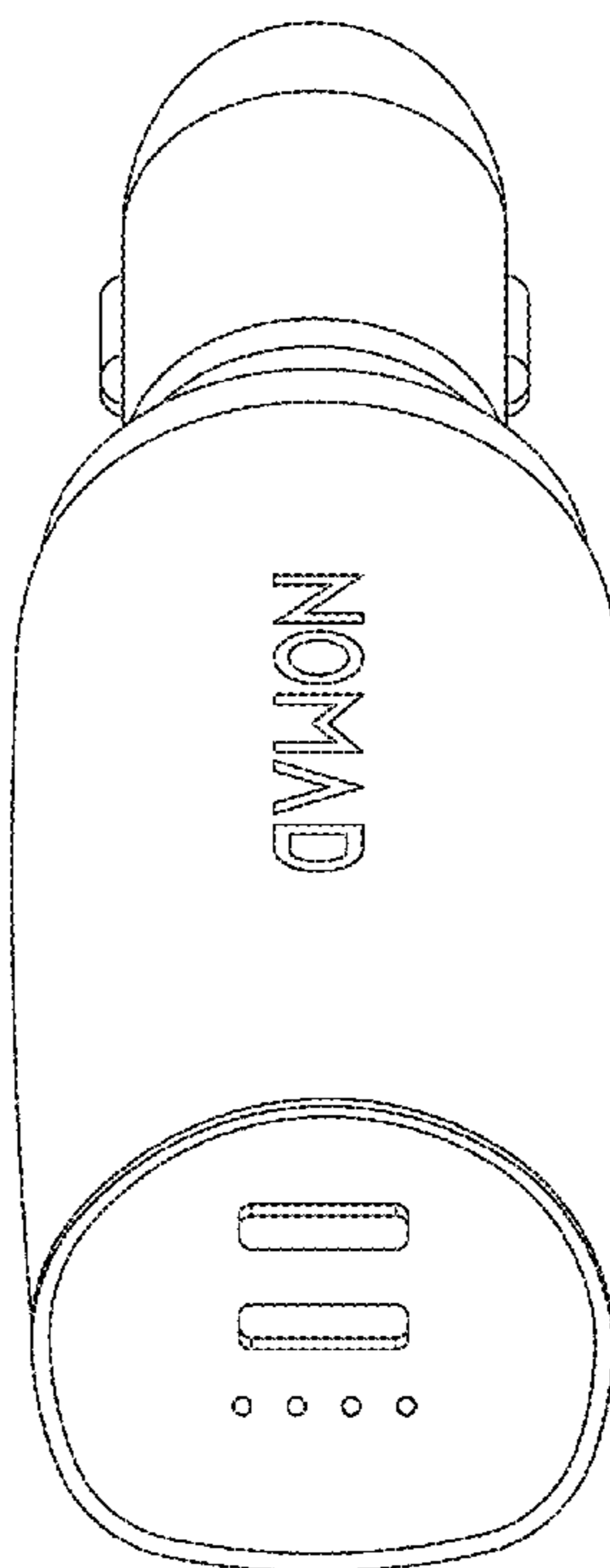
(57) **CLAIM**

The ornamental design for a car charger, as shown and described.

DESCRIPTION

FIG. 1 is a perspective view of a car charger according to the present invention;
FIG. 2 is a front view thereof;
FIG. 3 is a back view thereof;
FIG. 4 is a right side view thereof;
FIG. 5 is a left side view thereof;
FIG. 6 is a top plan view thereof; and,
FIG. 7 is a bottom plan view thereof.
The broken lines shown represent unclaimed subject matter and form no part of the claimed design.
The text 'NOMAD' forming part of the claimed design is a registered trademark of Nomad Goods, Inc.

1 Claim, 6 Drawing Sheets



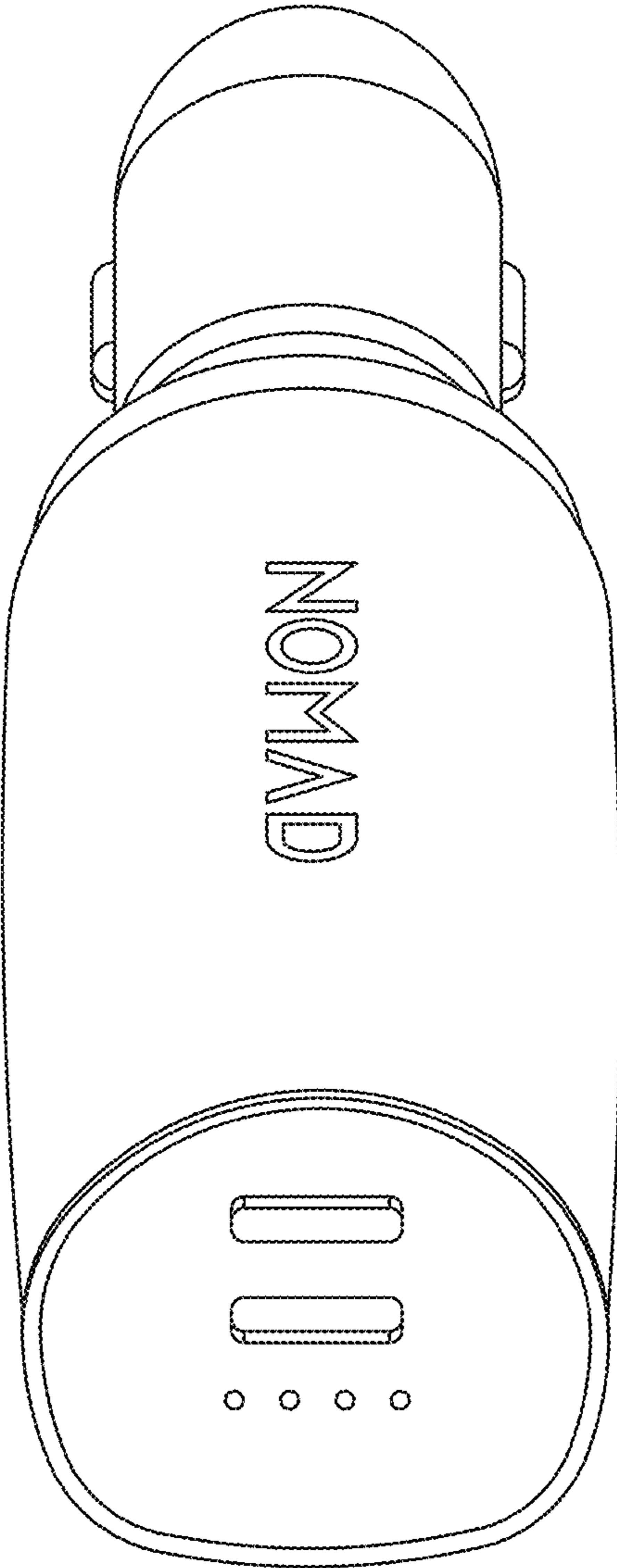


FIG. 1

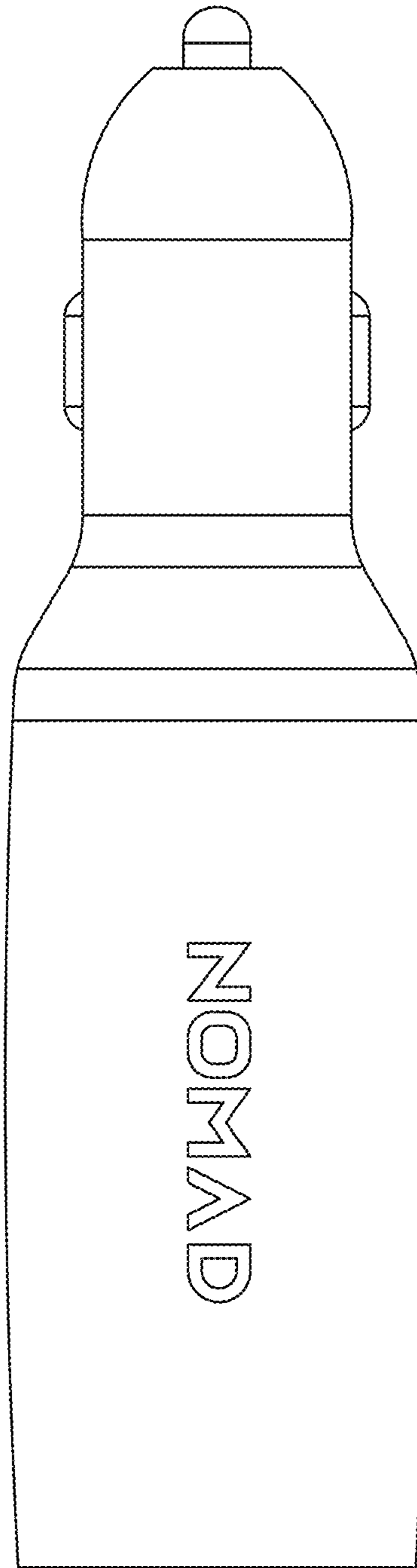


FIG. 2

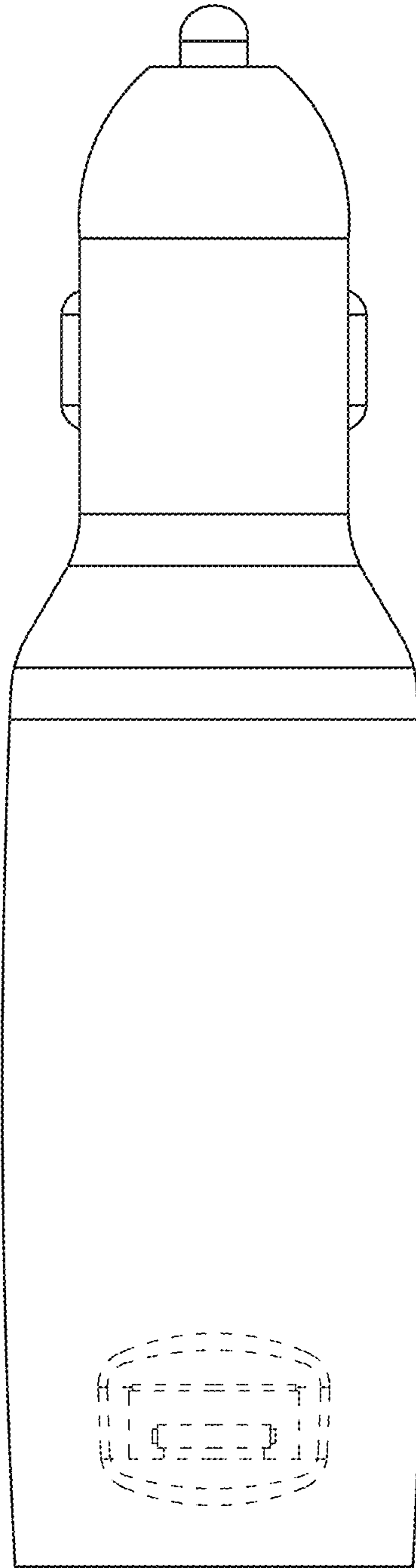


FIG. 3

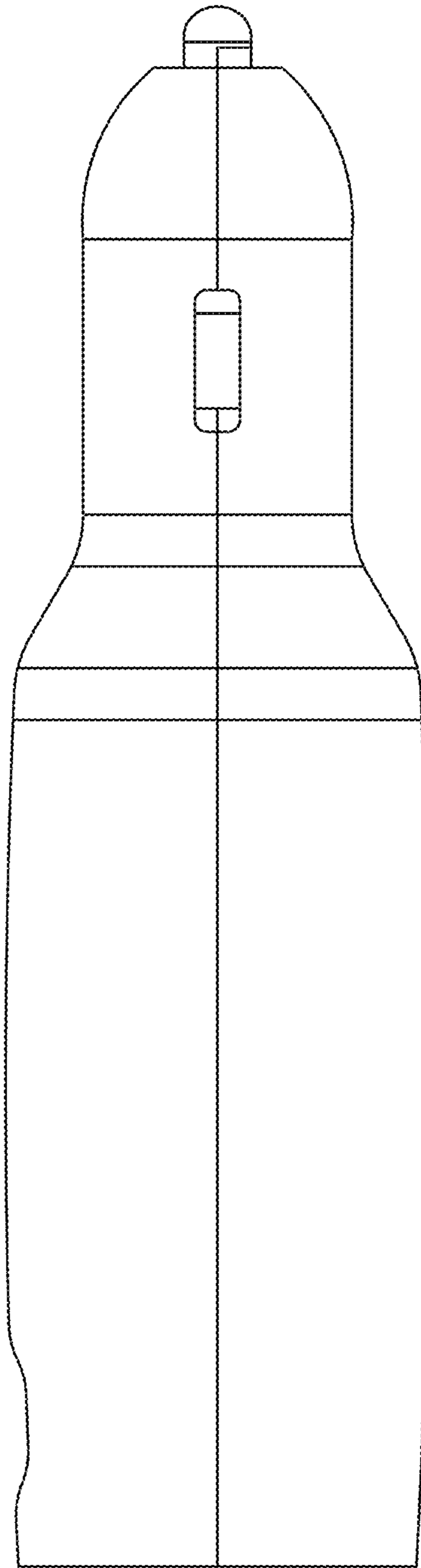


FIG. 4

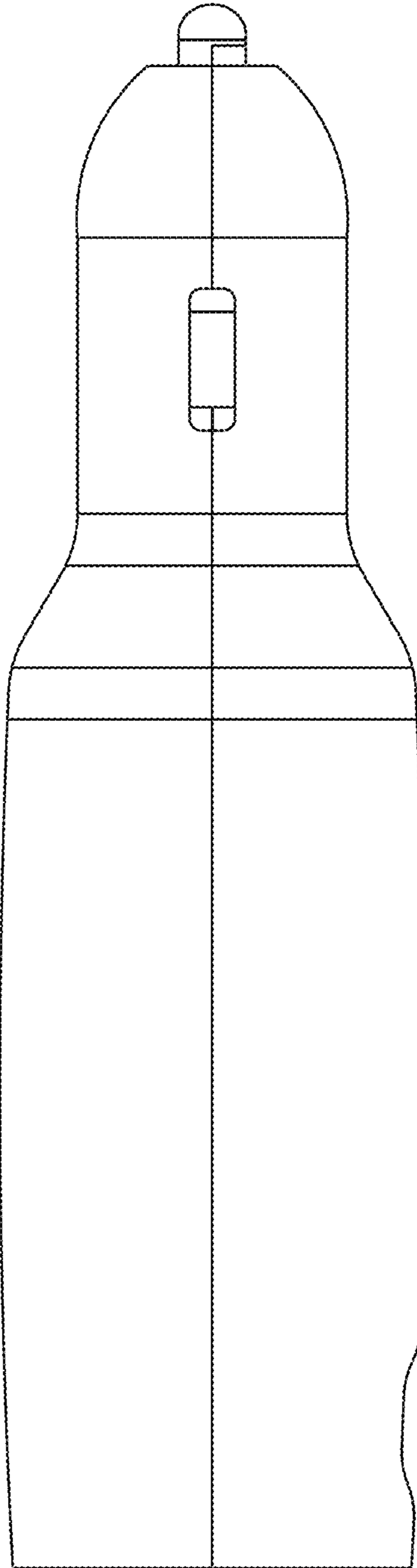


FIG. 5

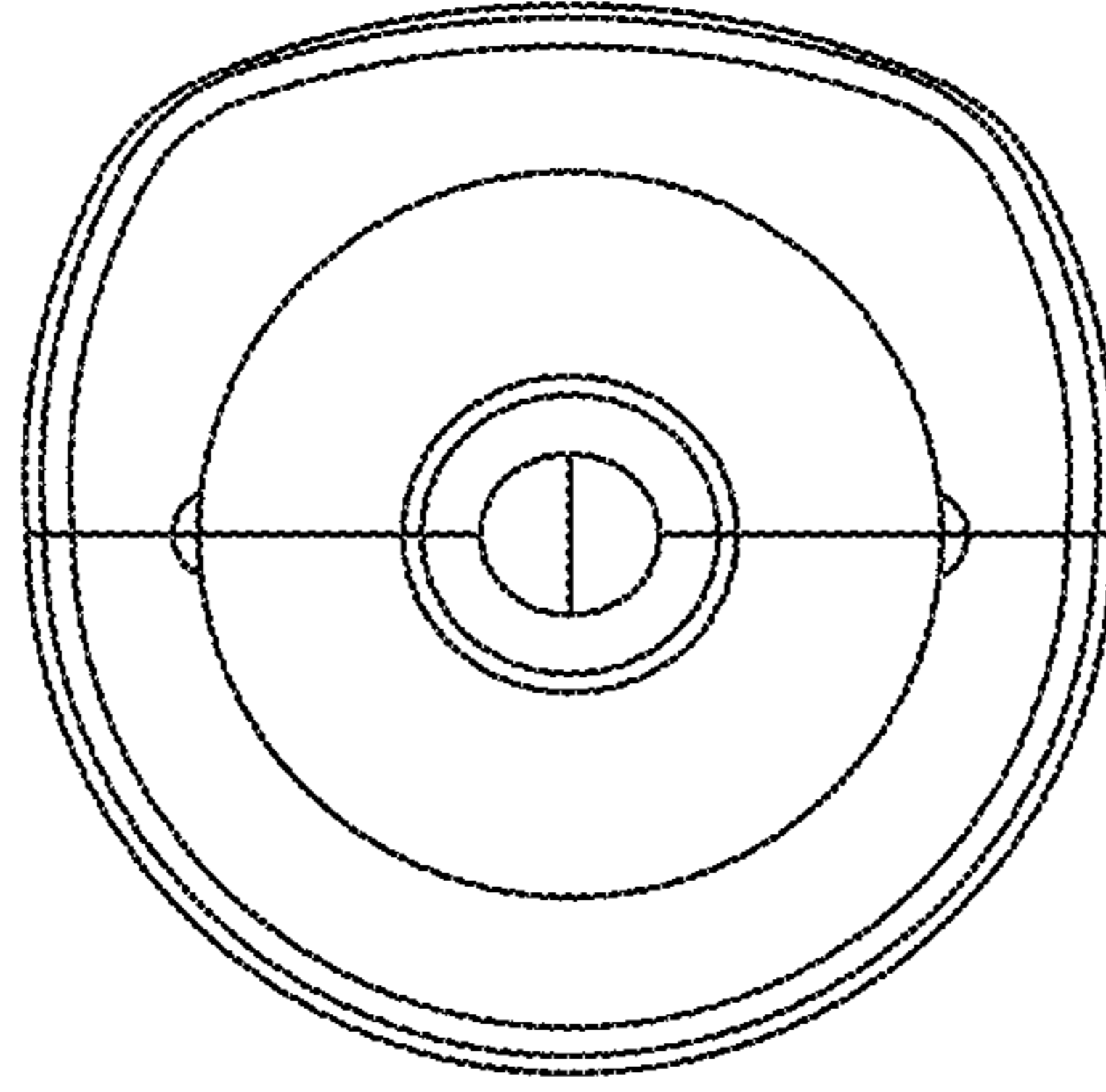


FIG. 6

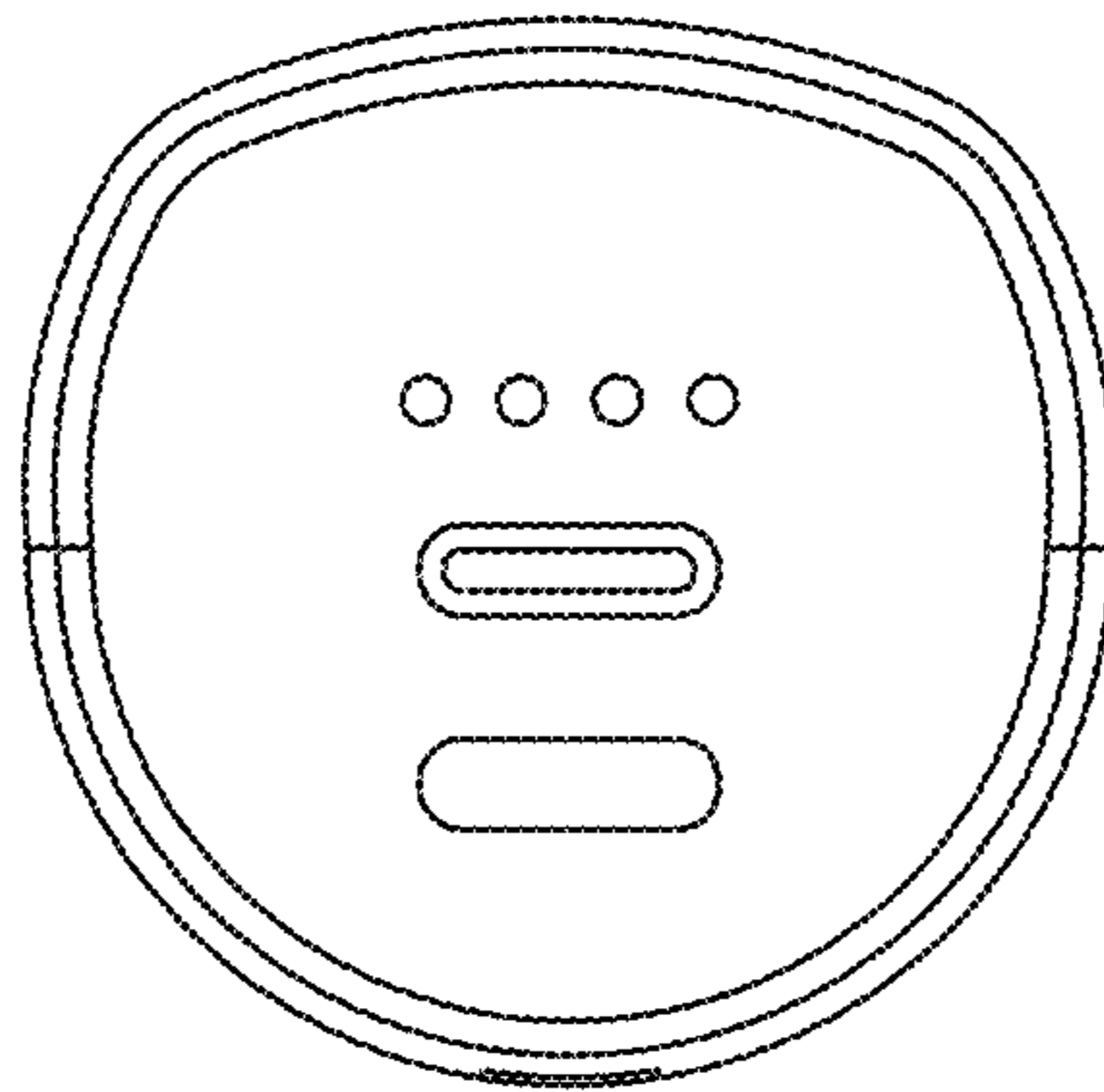


FIG. 7