



US00D796444S

(12) **United States Design Patent**
Xu

(10) **Patent No.:** **US D796,444 S**
(45) **Date of Patent:** **** Sep. 5, 2017**

(54) **POWER STRIP**

D574,328 S * 8/2008 Chen D13/139.6
D685,741 S * 7/2013 Byrne D13/139.7
D775,081 S * 12/2016 Xu D13/139.6

(71) Applicant: **Guangdong BESTEK E-commerce Co., Ltd., Shenzhen (CN)**

(72) Inventor: **Xinhua Xu, Shenzhen (CN)**

(73) Assignee: **Guangdong BESTEK E-commerce Co., Ltd., Shenzhen (CN)**

(**) Term: **15 Years**

(21) Appl. No.: **29/578,985**

(22) Filed: **Sep. 27, 2016**

(51) **LOC (10) Cl.** **13-03**

(52) **U.S. Cl.**
USPC **D13/139.6**

(58) **Field of Classification Search**
USPC D13/108, 110, 123, 133, 137.1–137.4,
D13/138.1–138.2, 139.1–139.8, 152–154,
D13/156, 158, 177; D8/350–353
CPC H01R 25/00; H01R 25/006
See application file for complete search history.

(56) **References Cited**

U.S. PATENT DOCUMENTS

D360,873 S * 8/1995 Starec D13/139.2
D401,220 S * 11/1998 Dwight D13/139.6
D532,377 S * 11/2006 Blake, Jr. D13/139.6
D568,817 S * 5/2008 Yu D13/139.7

OTHER PUBLICATIONS

Amazon.com: Bestek 2-Outlet Travel Power Strip. Published Mar. 21, 2016. Retrieved from the internet at <<https://www.amazon.com/BESTEK-2-Outlet-Travel-Power-Charging/dp/D019RGI41E/>>, May 30, 2017. 1 page.*

* cited by examiner

Primary Examiner — Rosemary K Tarcza

Assistant Examiner — Christy Nemeth

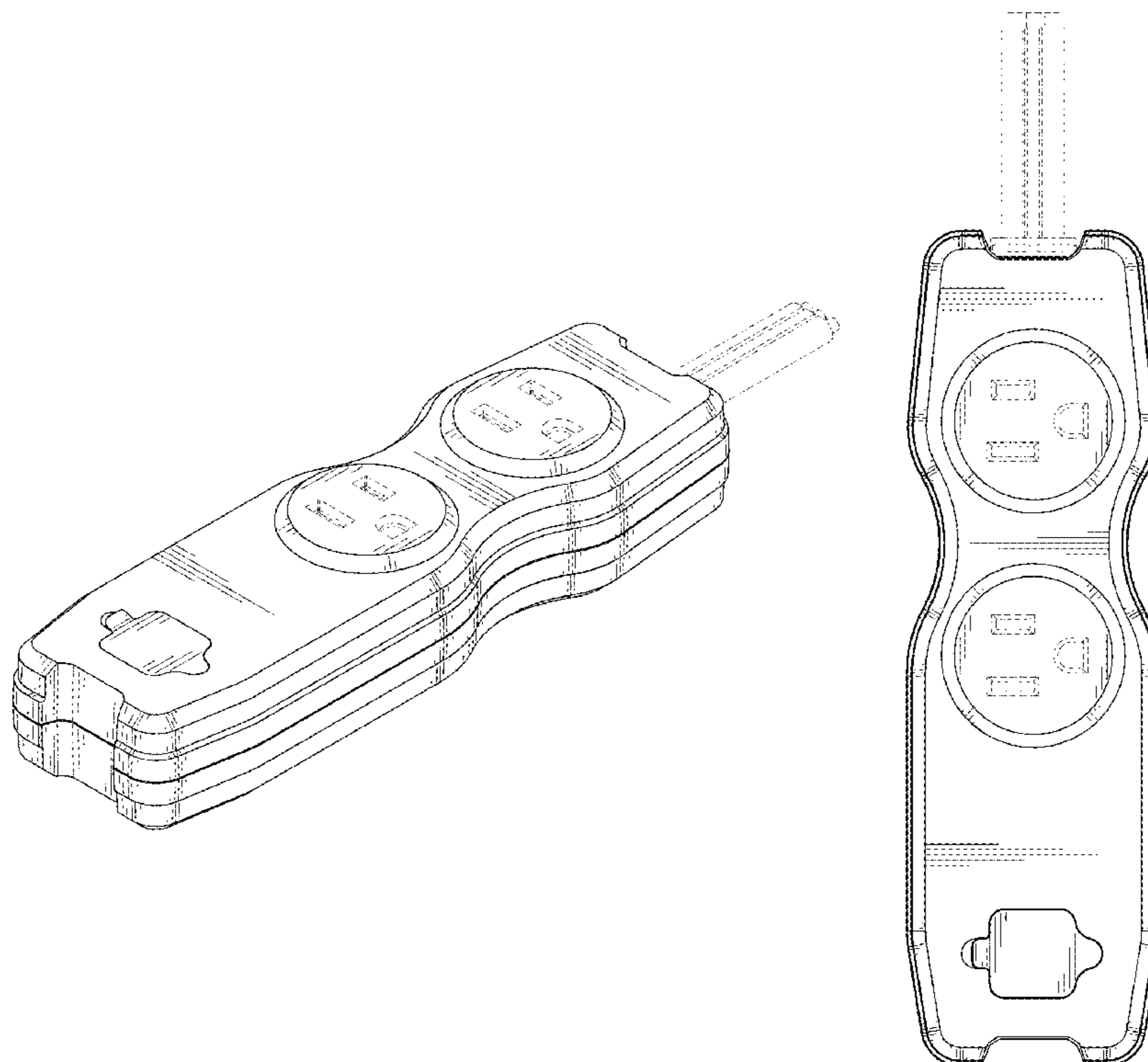
(57) **CLAIM**

The ornamental design for a power strip, as shown and described.

DESCRIPTION

FIG. 1 is a perspective view of a power strip showing my new design;
FIG. 2 is a front elevational view thereof;
FIG. 3 is a rear elevational view thereof;
FIG. 4 is a left side elevational view thereof;
FIG. 5 is a right side elevational view thereof;
FIG. 6 is a top plan view thereof; and,
FIG. 7 is a bottom plan view thereof.
The broken lines in the drawings are for the purpose of illustrating portions of the power strip that form no part of the claimed design.

1 Claim, 7 Drawing Sheets



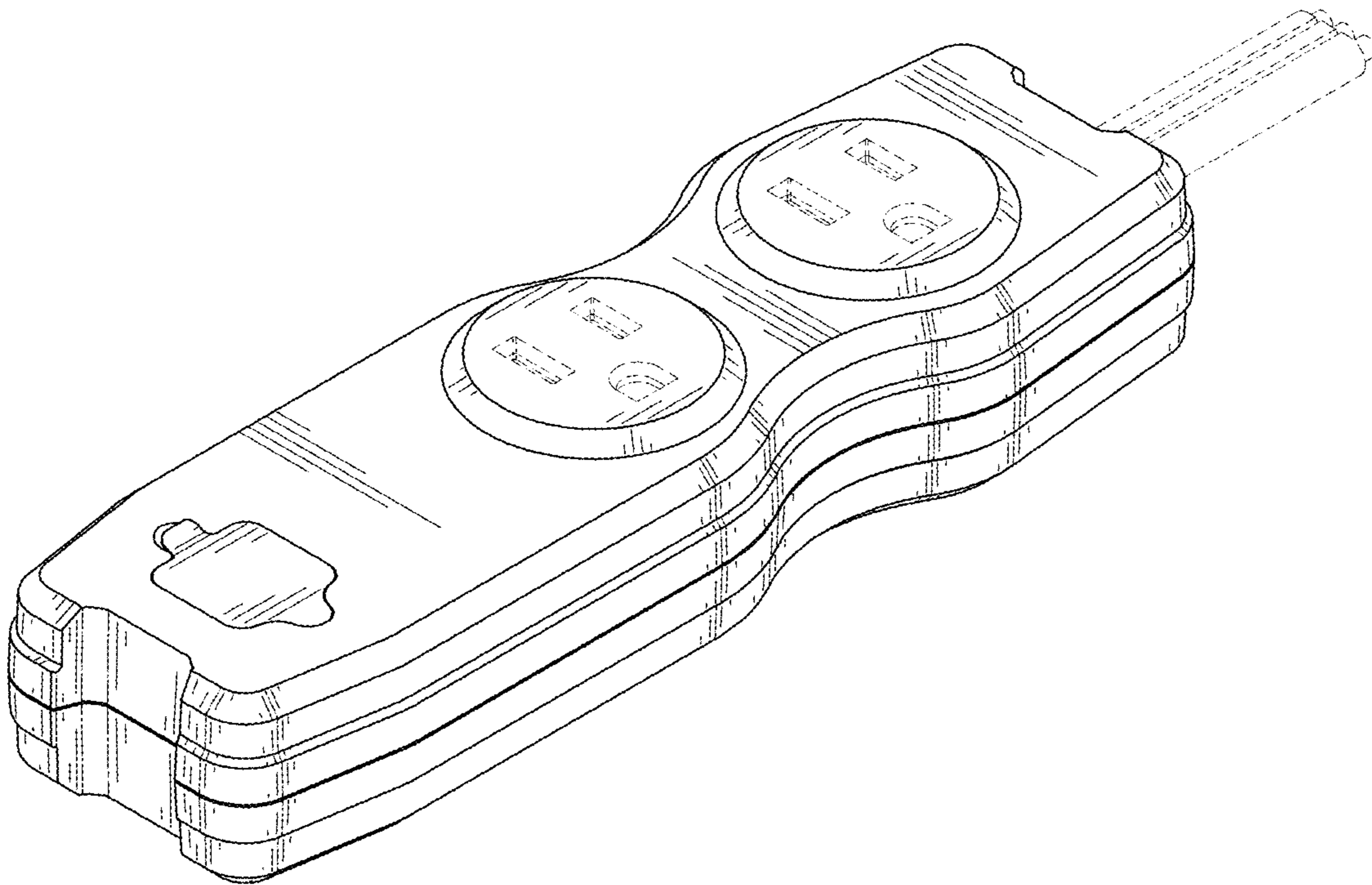


FIG. 1

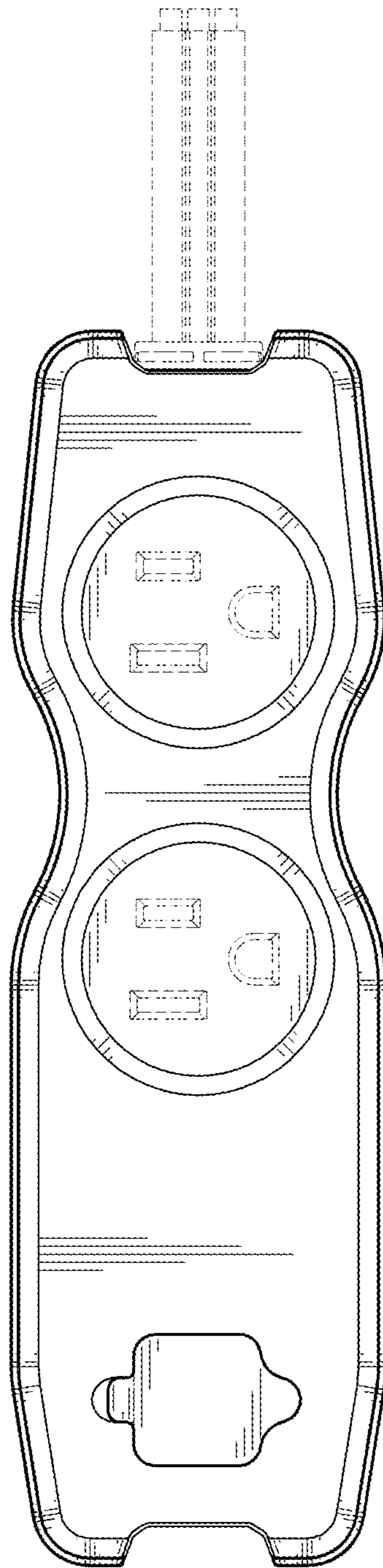


FIG. 2

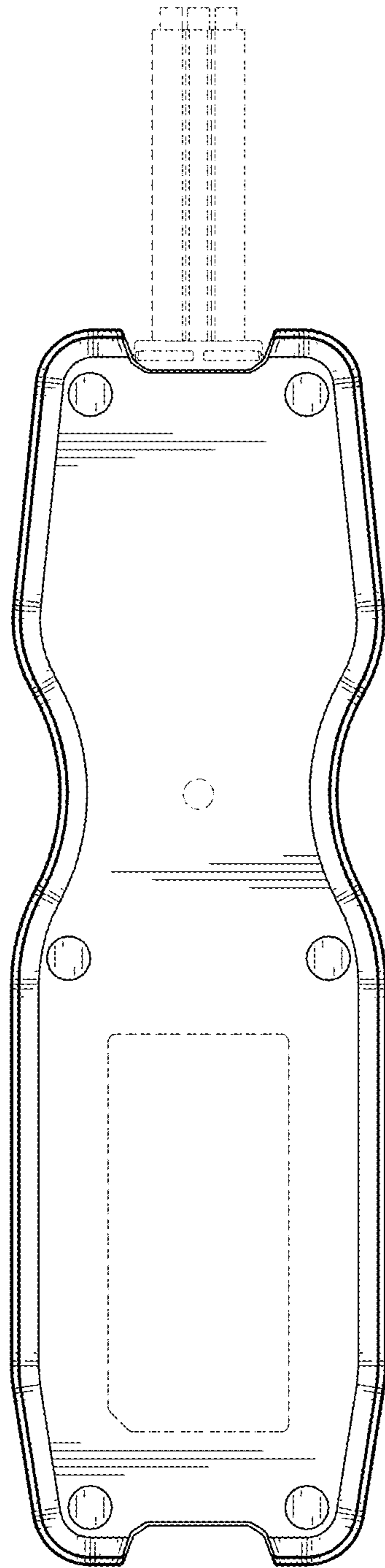


FIG. 3

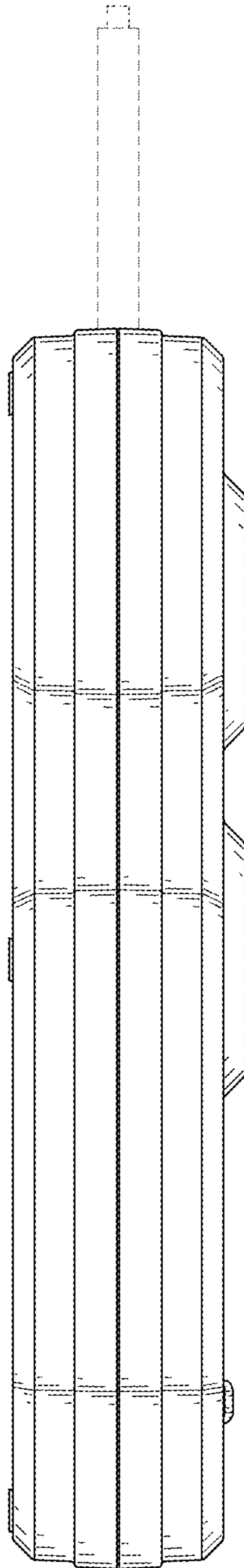


FIG. 4

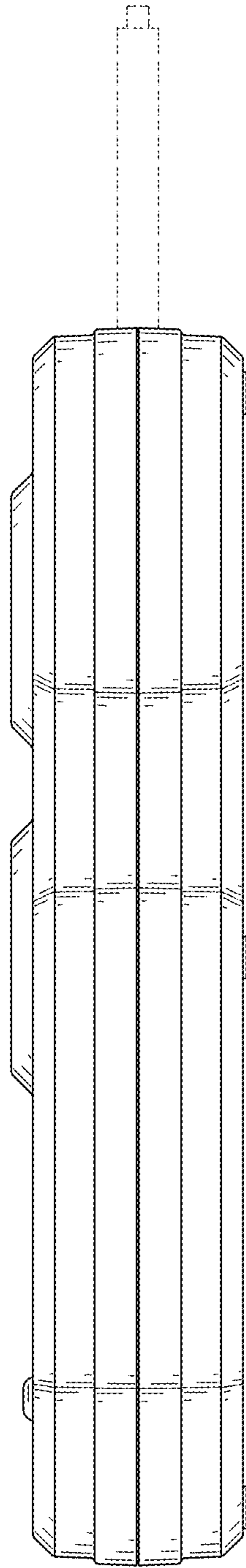


FIG. 5

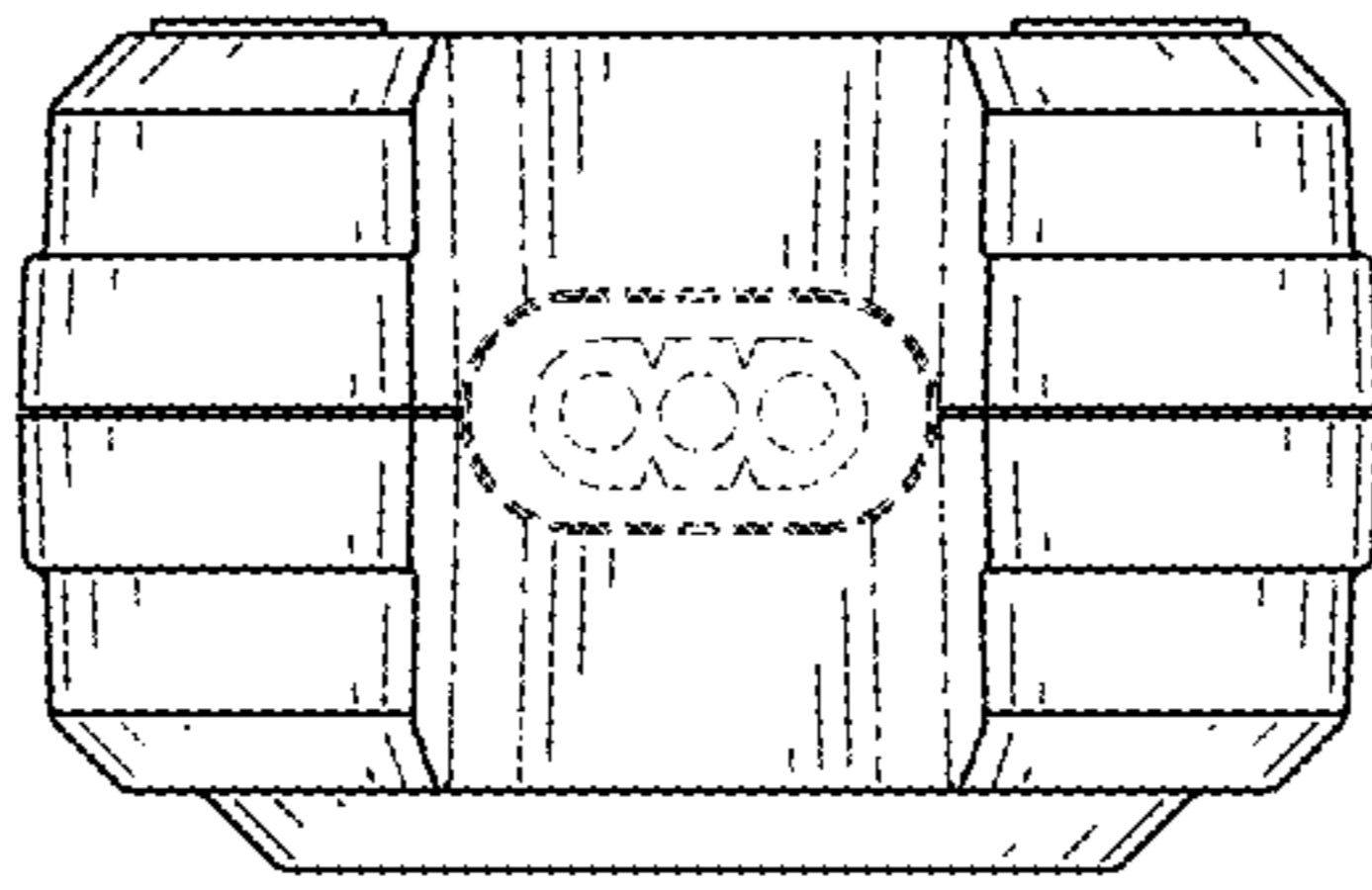


FIG. 6

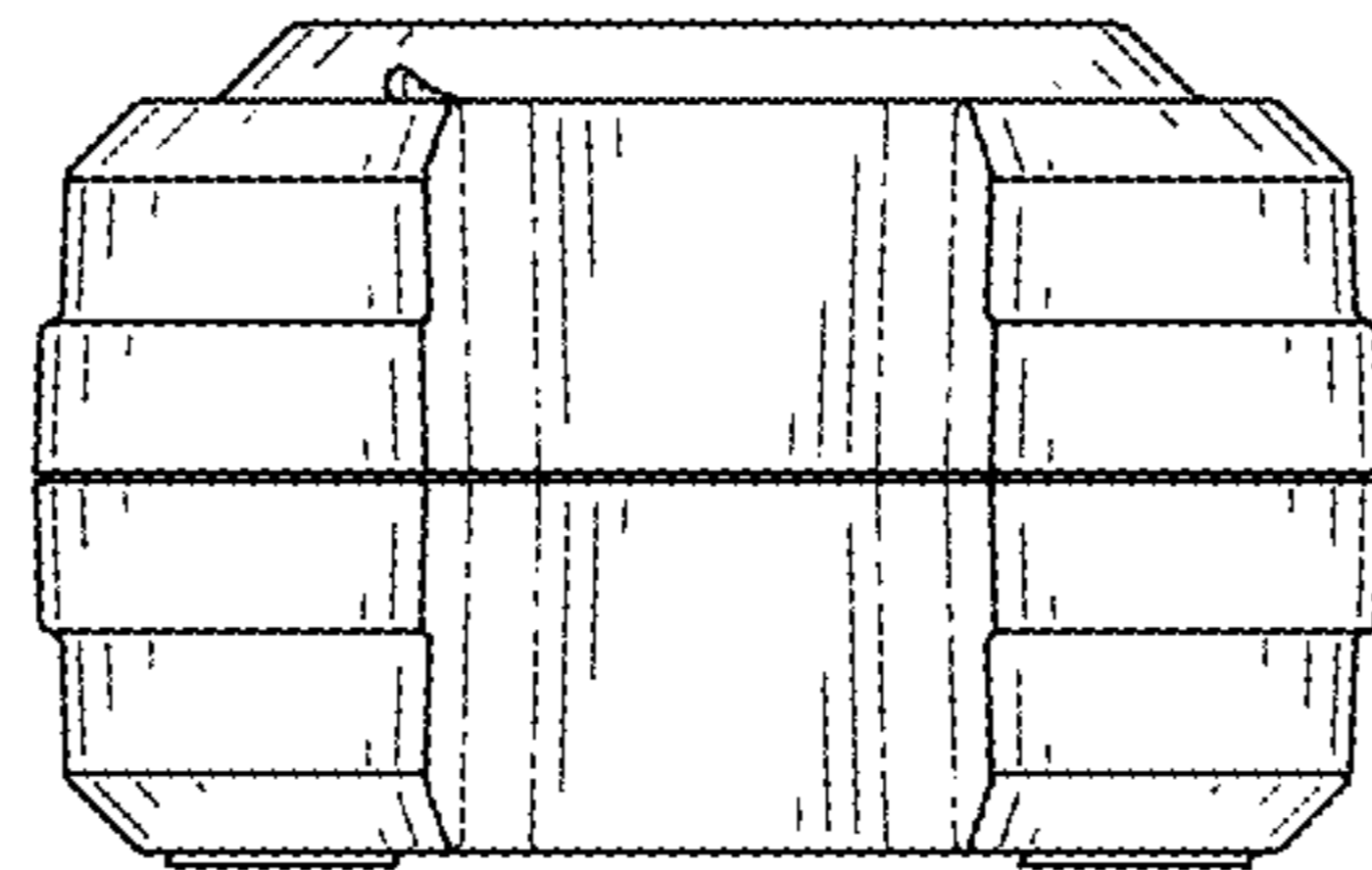


FIG. 7