



US00D796442S

(12) **United States Design Patent**  
**Xu**

(10) **Patent No.:** **US D796,442 S**

(45) **Date of Patent:** **\*\* Sep. 5, 2017**

(54) **POWER STRIP**

(71) Applicant: **Guangdong BESTEK E-commerce Co., Ltd.**, Shenzhen (CN)

(72) Inventor: **Xinhua Xu**, Shenzhen (CN)

(73) Assignee: **Guangdong BESTEK E-commerce Co., Ltd.**, Shenzhen (CN)

(\*\*) Term: **15 Years**

(21) Appl. No.: **29/575,993**

(22) Filed: **Aug. 30, 2016**

(51) **LOC (10) Cl.** ..... **13-03**

(52) **U.S. Cl.**  
USPC ..... **D13/139.6**

(58) **Field of Classification Search**  
USPC ..... D13/108, 110, 123, 133, 137.1–137.4,  
D13/138.1–138.2, 139.1–139.8, 152–154,  
D13/156, 158, 177; D8/350–353  
CPC ..... H01R 25/00; H01R 25/006  
See application file for complete search history.

(56) **References Cited**

**U.S. PATENT DOCUMENTS**

D443,590 S *	6/2001	Vende	.....	D13/137.4
D469,064 S *	1/2003	Nieto	.....	D13/137.2
D481,009 S *	10/2003	Stekelenburg	.....	D13/137.4
D482,326 S *	11/2003	Stekelenburg	.....	D13/137.4
D525,234 S *	7/2006	Yokoyama	.....	D14/509
D640,199 S *	6/2011	Wilson	.....	D13/139.7
D653,215 S *	1/2012	Lam	.....	D13/139.8

**OTHER PUBLICATIONS**

Amazon.com: Power Strip, Bestek 6-Outlet Surge Protector. Published Aug. 30, 2016. Retrieved from the internet at <<https://www.amazon.com/dp/B01L94ZOH4?psc=1>>, May 31, 2017. 1 page.\*  
Amazon.com: Accell Powramid Air. Published Aug. 23, 2013. Retrieved from the internet at <<https://www.amazon.com/Accell-Powramid-6-Outlet-Protector-Charging/dp/B01N961QO2>>, May 31, 2017. 1 page.\*

\* cited by examiner

*Primary Examiner* — Rosemary K Tarcza

*Assistant Examiner* — Christy Nemeth

(57) **CLAIM**

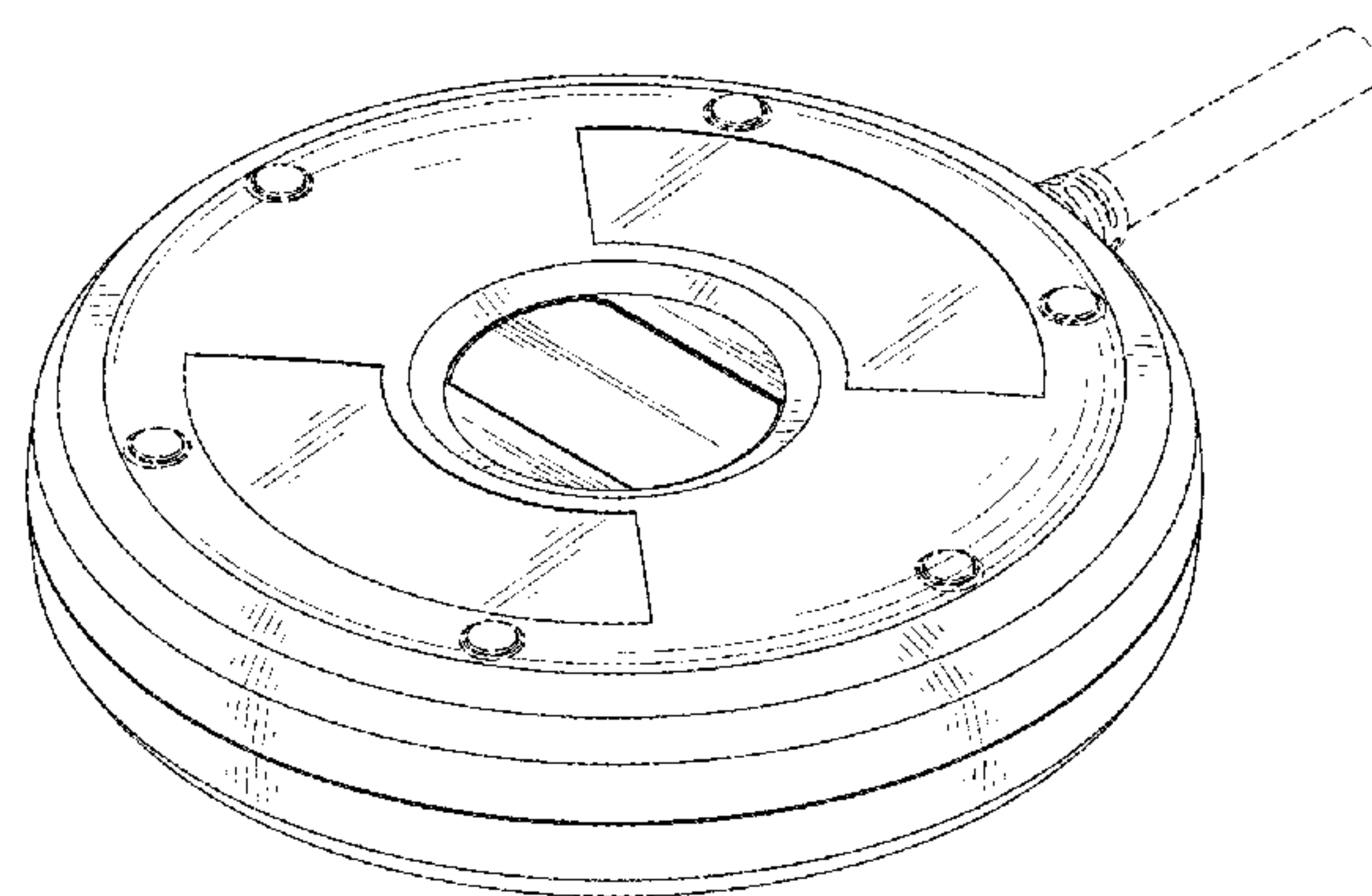
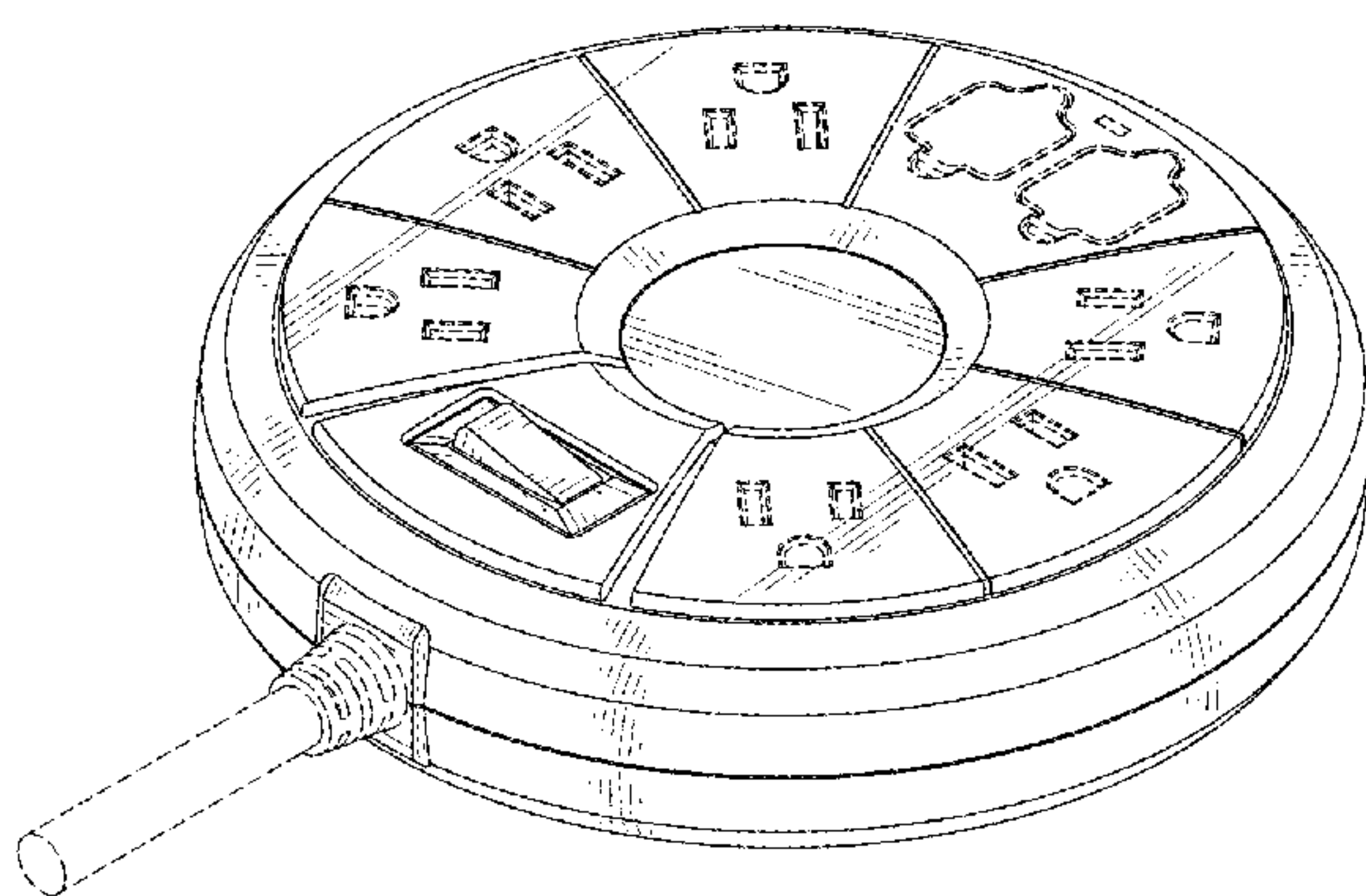
The ornamental design for a power strip, as shown and described.

**DESCRIPTION**

FIG. 1 is a front perspective view of a power strip showing my new design;  
FIG. 2 is a rear perspective view thereof;  
FIG. 3 is a front elevational view thereof;  
FIG. 4 is a rear elevational view thereof;  
FIG. 5 is a left side elevational view thereof;  
FIG. 6 is a right side elevational view thereof;  
FIG. 7 is a top plan view thereof; and,  
FIG. 8 is a bottom plan view thereof.

The broken lines in the drawings are for the purpose of illustrating portions of the power strip that form no part of the claimed design.

**1 Claim, 8 Drawing Sheets**



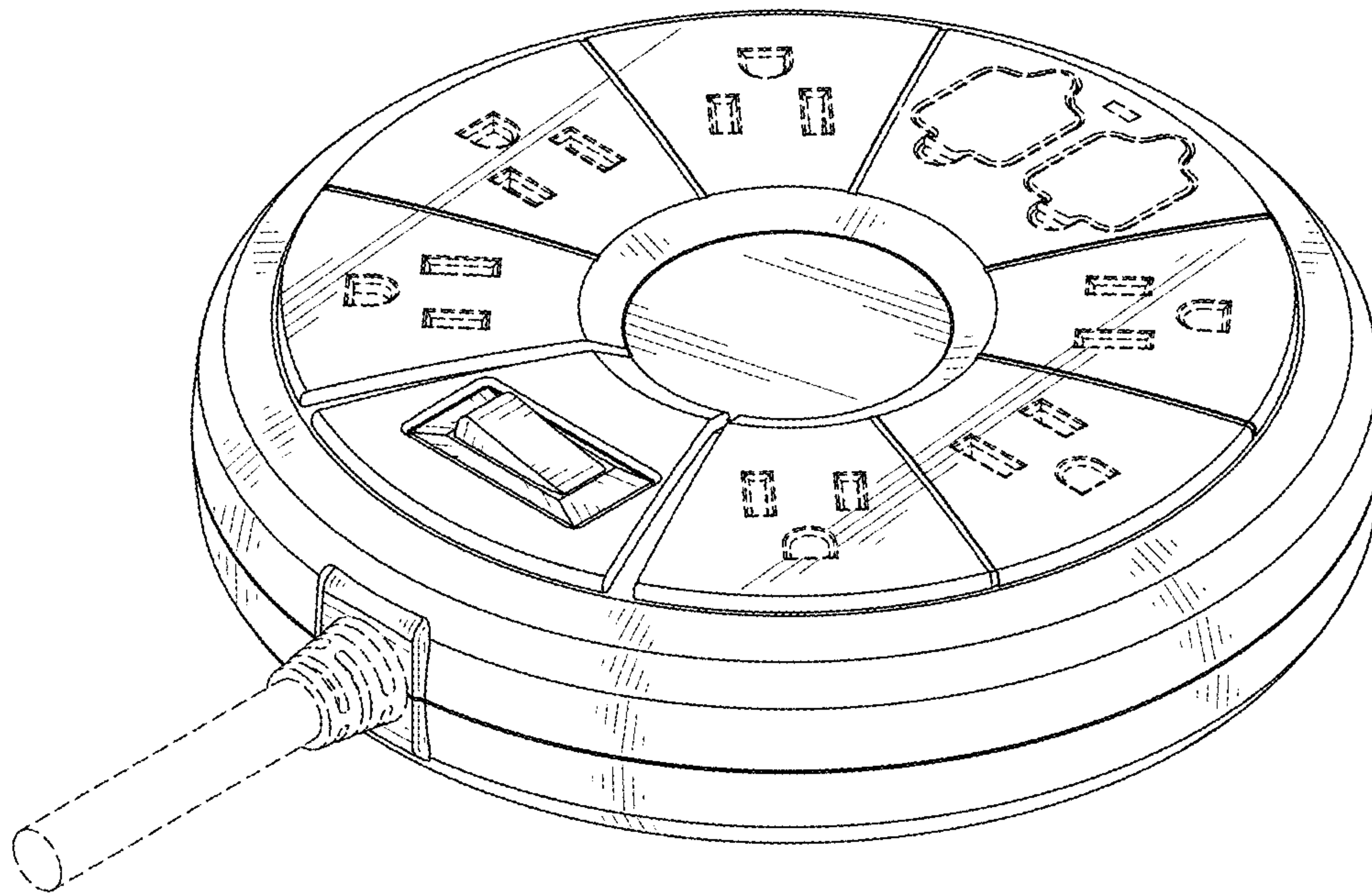


FIG. 1

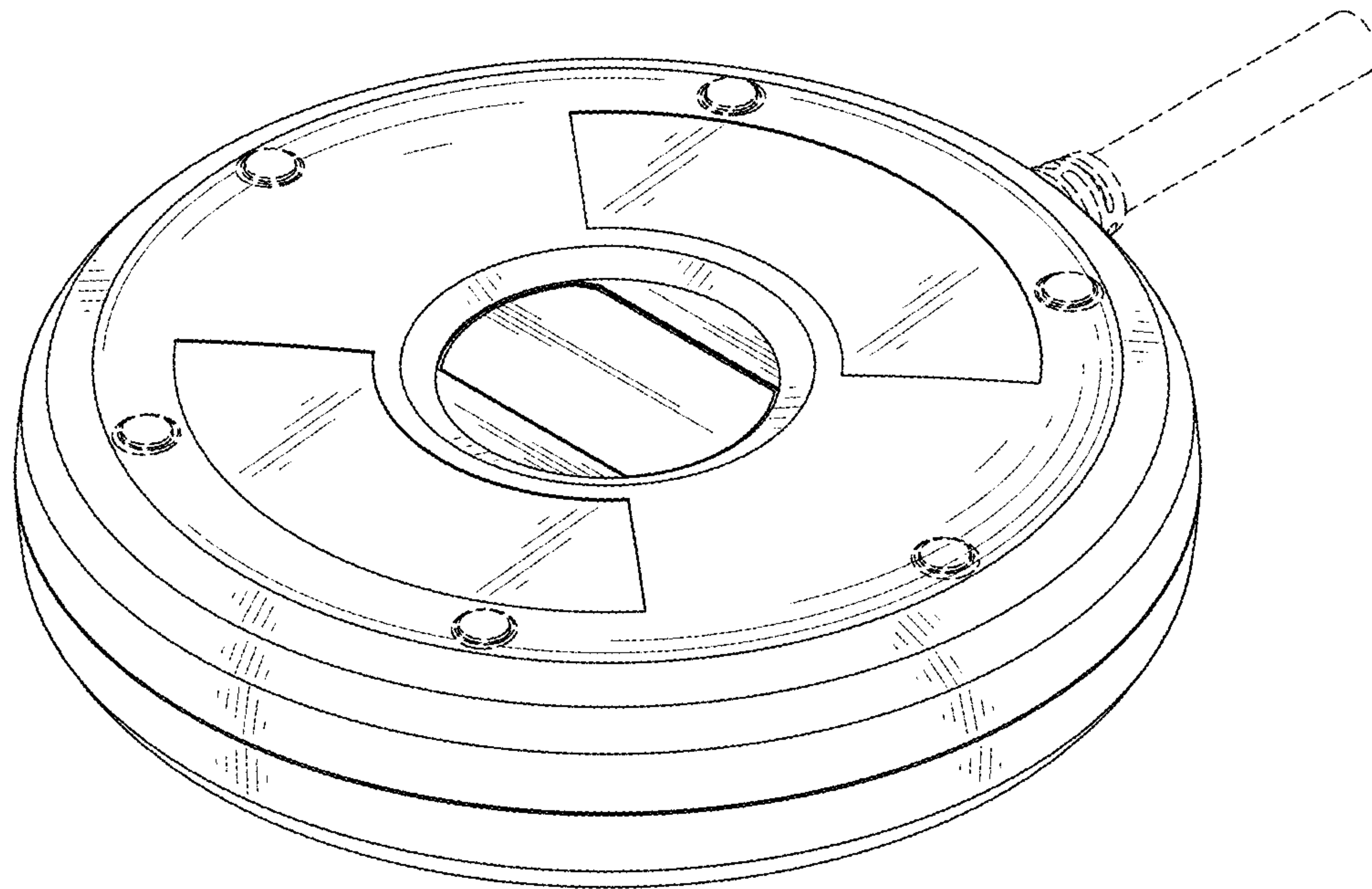


FIG. 2



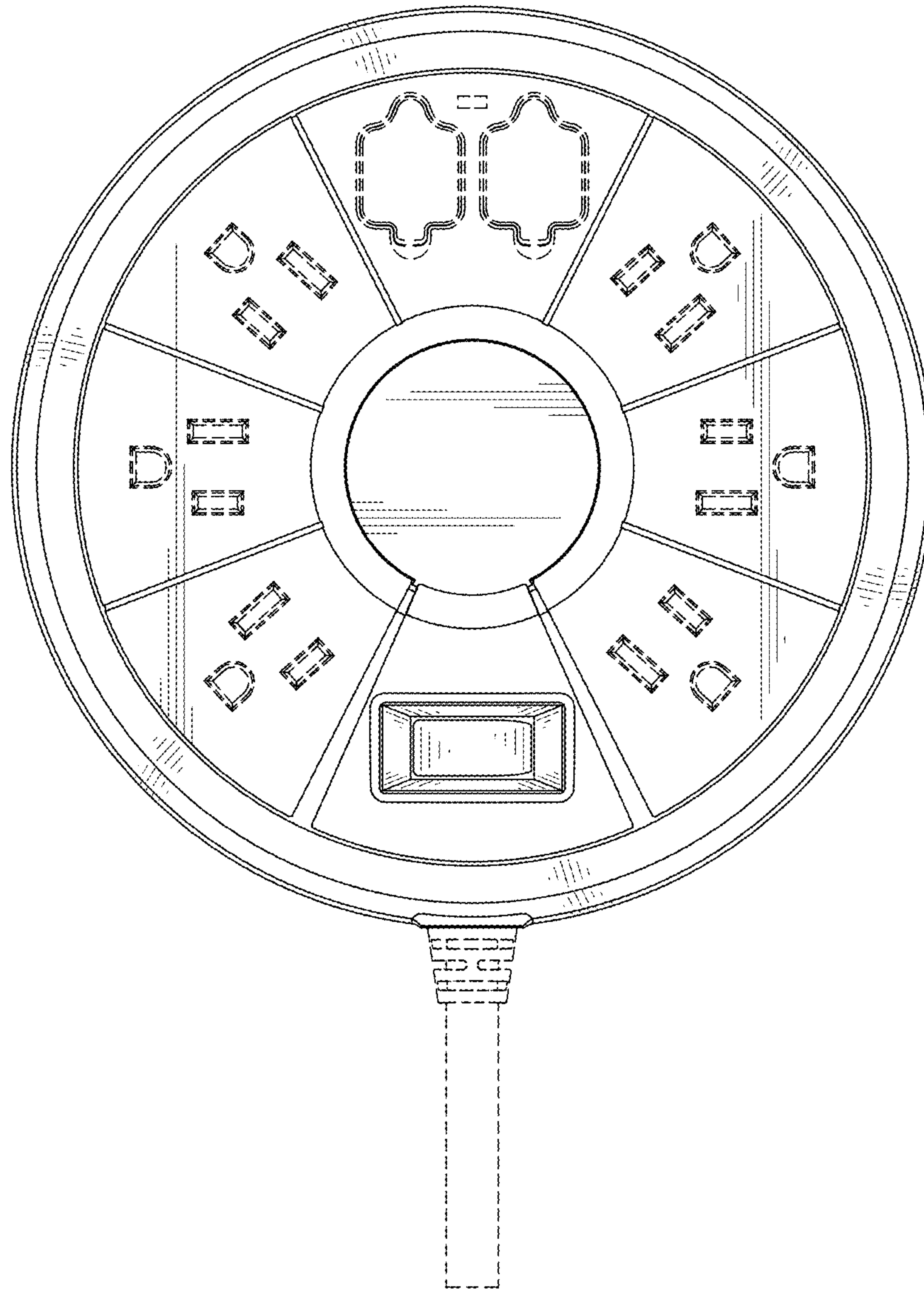


FIG. 3

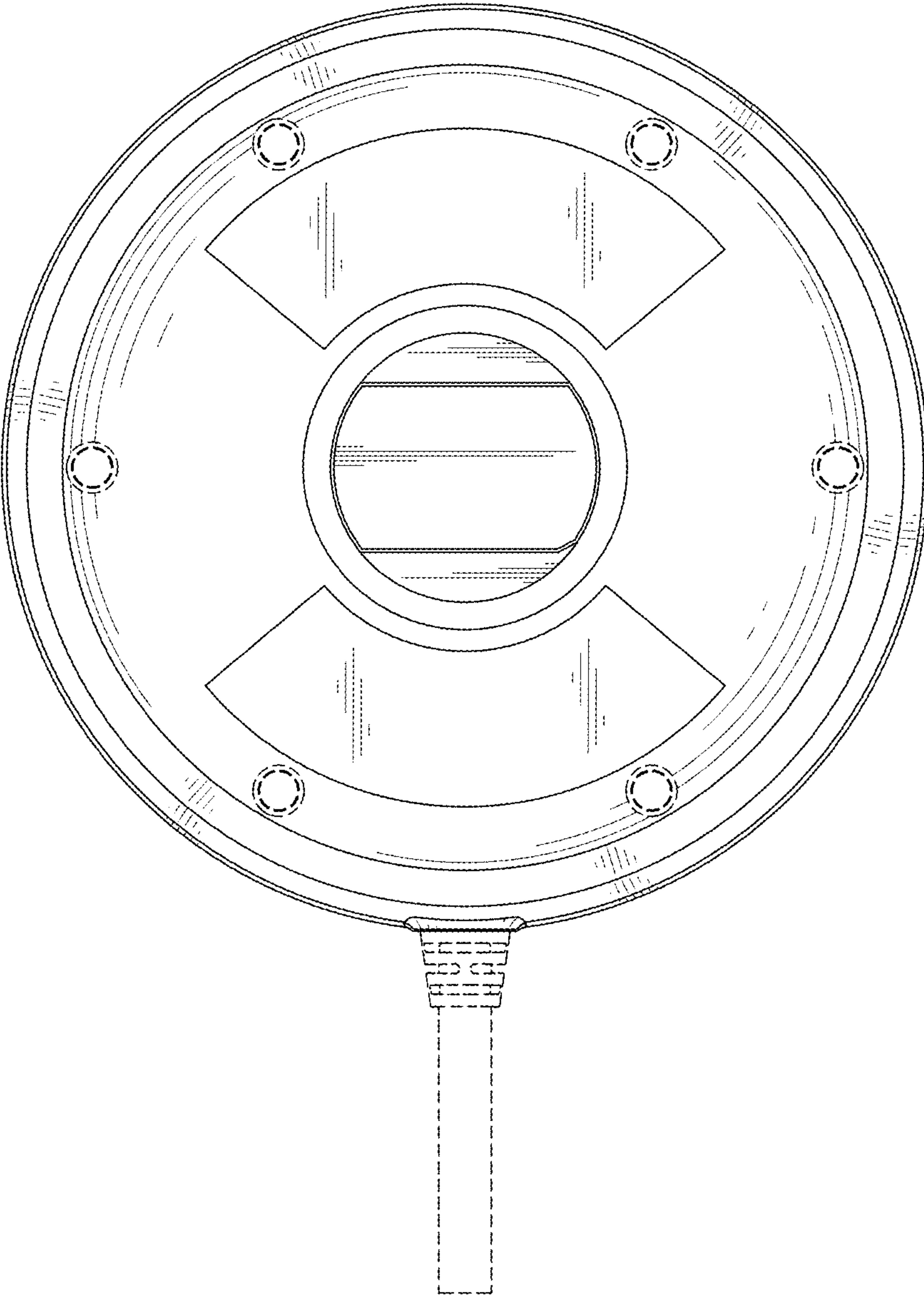


FIG. 4

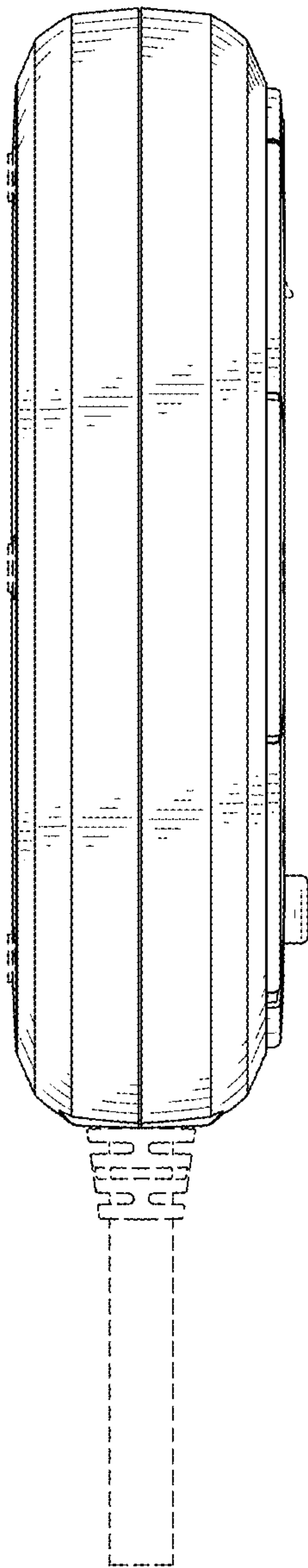


FIG. 5

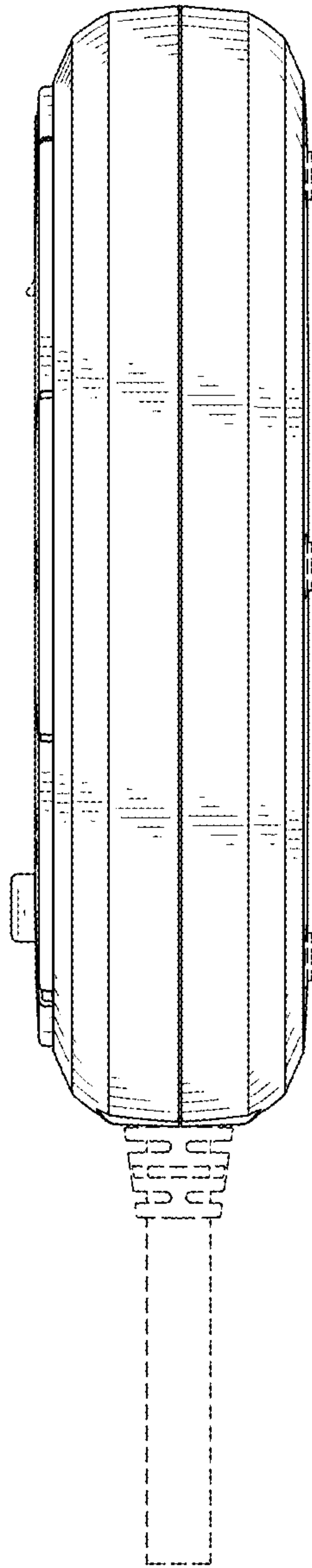


FIG. 6

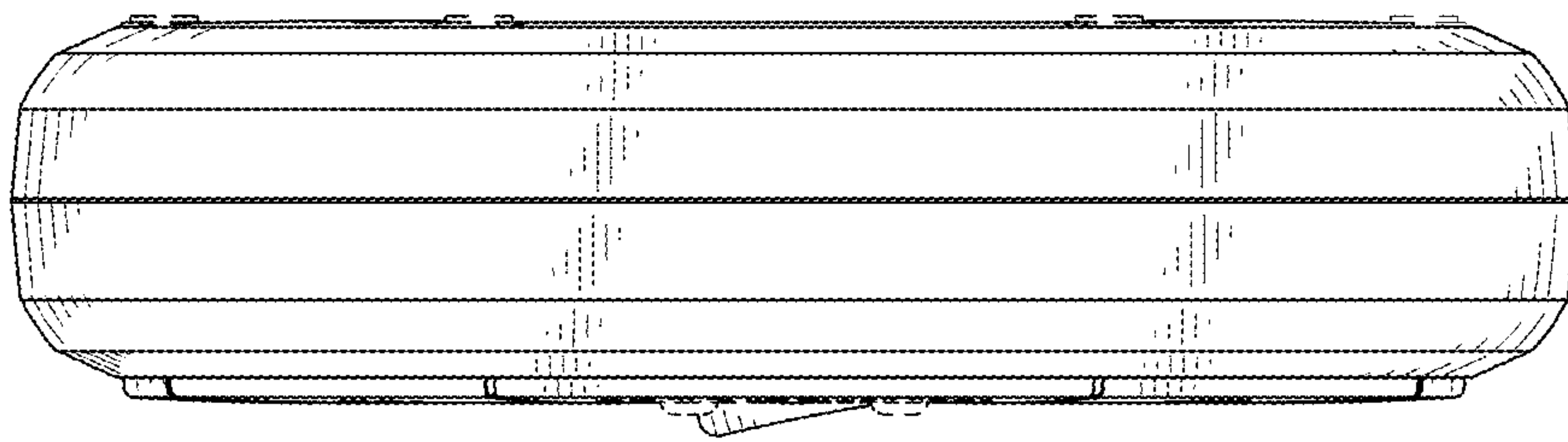


FIG. 7



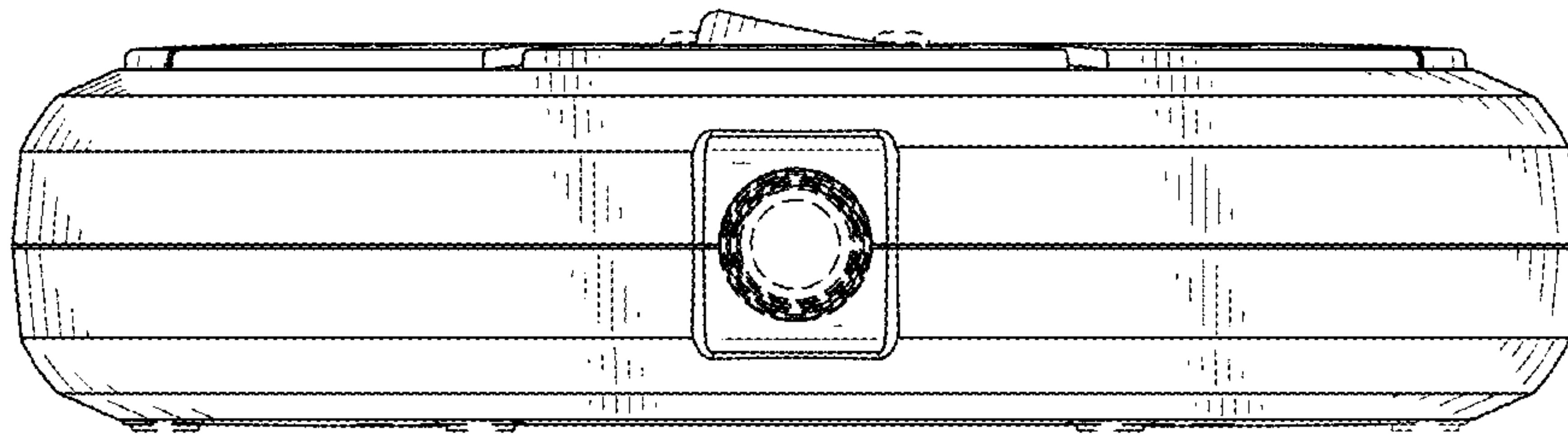


FIG. 8