



US00D796441S

(12) **United States Design Patent**
Gzybowski

(10) **Patent No.:** **US D796,441 S**

(45) **Date of Patent:** **** Sep. 5, 2017**

(54) **ELECTRICAL PLUG**

(71) Applicant: **Michael S. Gzybowski**, Ann Arbor, MI (US)

(72) Inventor: **Michael S. Gzybowski**, Ann Arbor, MI (US)

(**) Term: **15 Years**

(21) Appl. No.: **29/527,692**

(22) Filed: **May 21, 2015**

(51) **LOC (10) Cl.** **13-03**

(52) **U.S. Cl.**
USPC **D13/138.1**

(58) **Field of Classification Search**
USPC D13/138.1, 156, 133, 170, 110;
D14/491, 486, 492, 489, 485; D3/12;
D11/70; D24/101; 439/369, 668
CPC . H01R 13/6581; H01R 13/5808; H01R 24/28
See application file for complete search history.

(56) **References Cited**

U.S. PATENT DOCUMENTS

D393,345 S *	4/1998	Clegg	D11/70
D495,996 S *	9/2004	Parel	D13/138.1
D519,241 S *	4/2006	Jackel-Marken	D28/4
D635,919 S *	4/2011	Ahola	D13/138.1
D669,953 S *	10/2012	Gold	D21/796
D675,168 S *	1/2013	Yass	D13/170
D702,724 S *	4/2014	Abratowski	D14/489
8,734,178 B2 *	5/2014	Inagaki	H01R 13/5808 439/369
9,017,104 B2 *	4/2015	Powley	H01R 24/28 439/668
D731,970 S *	6/2015	Kamath	D13/110
D734,259 S *	7/2015	Cepress	D13/110
D740,232 S *	10/2015	Auguste	D13/156
D741,370 S *	10/2015	Torres	D14/492
D742,409 S *	11/2015	Perez	D14/489
D749,046 S *	2/2016	Curry	H01R 13/6581 D13/133

(Continued)

OTHER PUBLICATIONS

“Illustrator Tip #16: How to Make a Beveled Star” reference dated Dec. 31, 2008 found on the internet at: <http://www.vectordairy.com/tipsandtricks/tipstrickshowtomakeabeveledstar/>.*

(Continued)

Primary Examiner — Rhea Shields

(57) **CLAIM**

The ornamental design for an electrical plug, as shown and described.

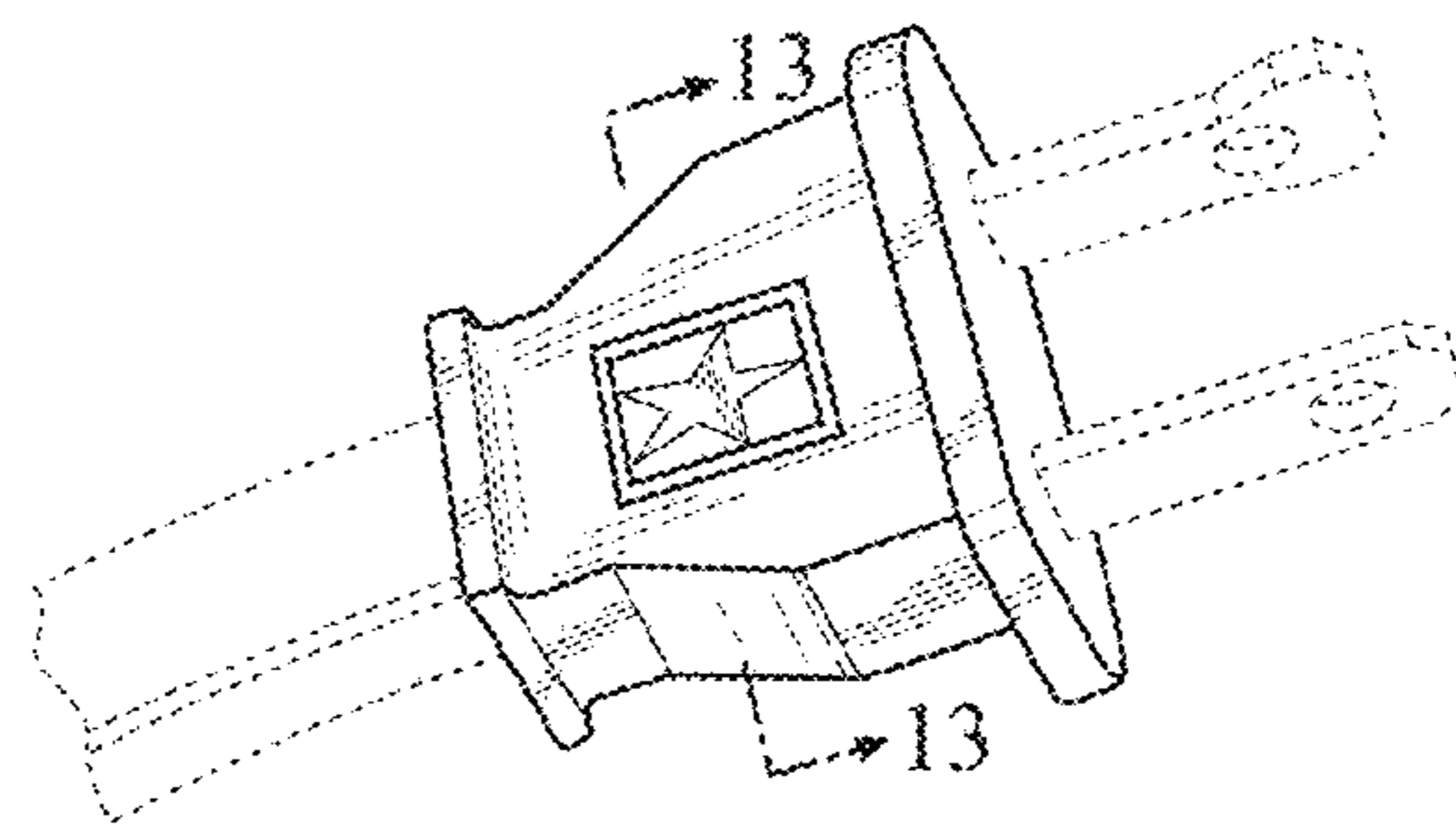
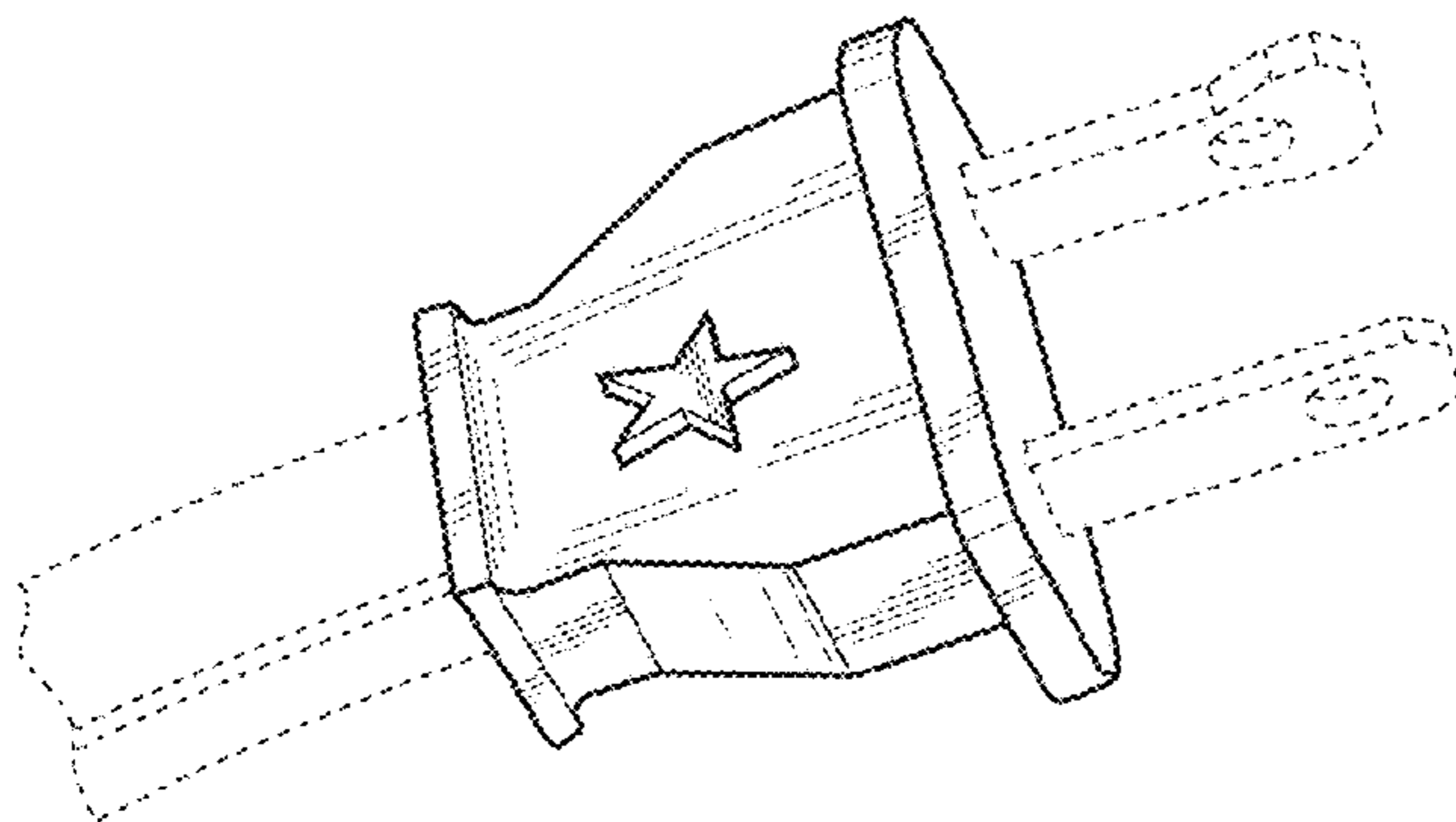
DESCRIPTION

FIG. 1 is a top perspective view showing my new design; FIG. 2 is a top view thereof; FIG. 3 is a left elevation side view thereof; FIG. 4 is a right elevation side view thereof; FIG. 5 is a top perspective view showing a second embodiment of my new design; FIG. 6 is a top view of the second embodiment; FIG. 7 is a left side view of the second embodiment; FIG. 8 is a right side view of the second embodiment; FIG. 9 is a top perspective view showing a third embodiment of my new design; FIG. 10 is a top view of the third embodiment; FIG. 11 is a left side view of the third embodiment; FIG. 12 is a right side view of the third embodiment; and, FIG. 13 is a cross-sectional view of the third embodiment taken along section lines 13-13 in FIG. 9.

In the drawings, the broken lines are for the purpose of illustrating environment only and form no part of the claimed design.

The article relates to two-pronged polarized electrical plugs that have ornamental design features on or in a surface thereof.

1 Claim, 3 Drawing Sheets



(56)

References Cited

U.S. PATENT DOCUMENTS

D754,841 S * 4/2016 Waldman D24/101
D759,032 S * 6/2016 Amin D14/485
D760,167 S * 6/2016 Kusano D13/138.1
D777,739 S * 1/2017 Qu D14/486

OTHER PUBLICATIONS

“TLC Creative—3D Star Sample” reference dated Mar. 24, 2010
Found on the internet at: <http://www.thepowerpointblog.com/3dstarsample/>.*

* cited by examiner

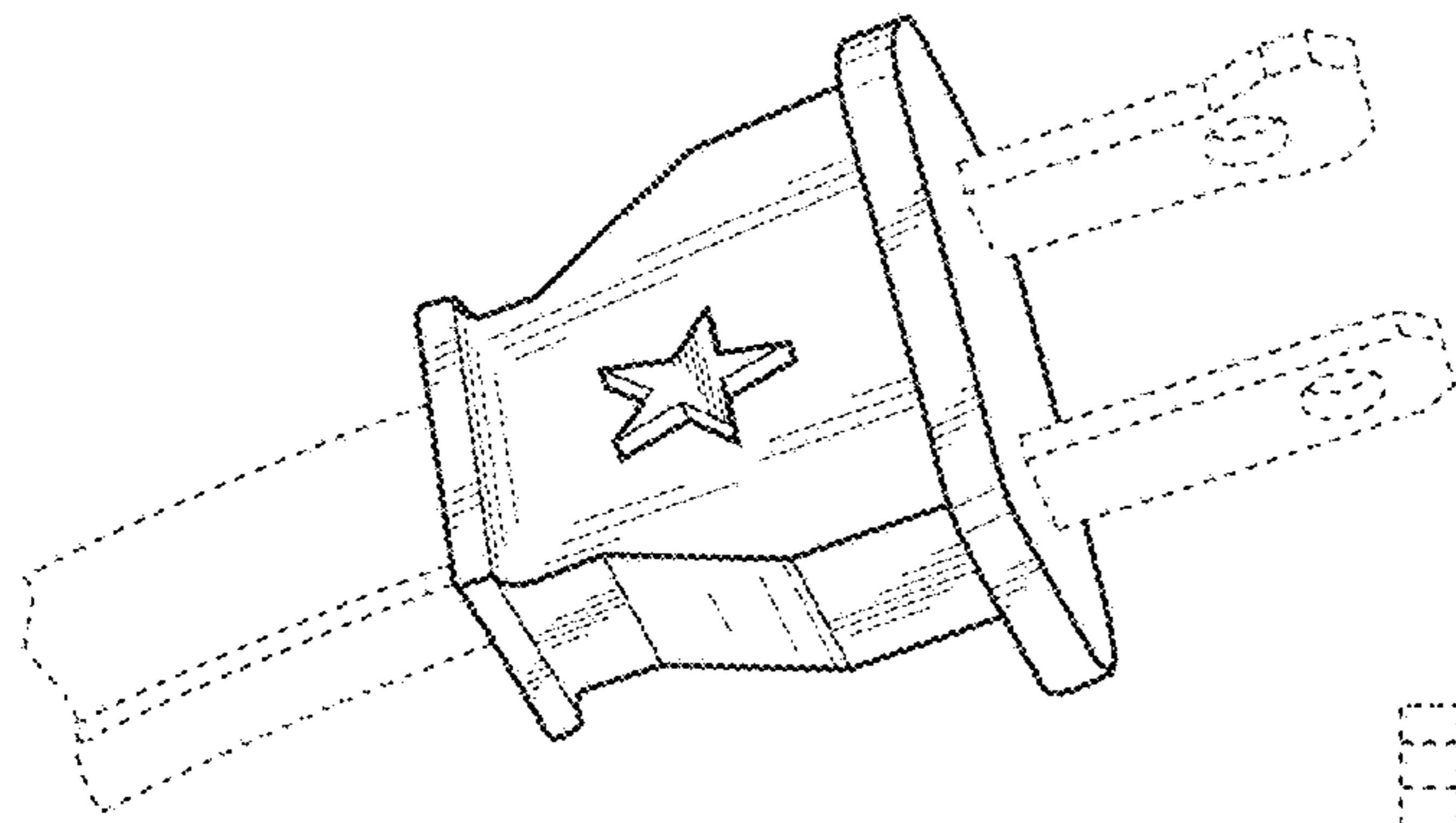


FIG. 1

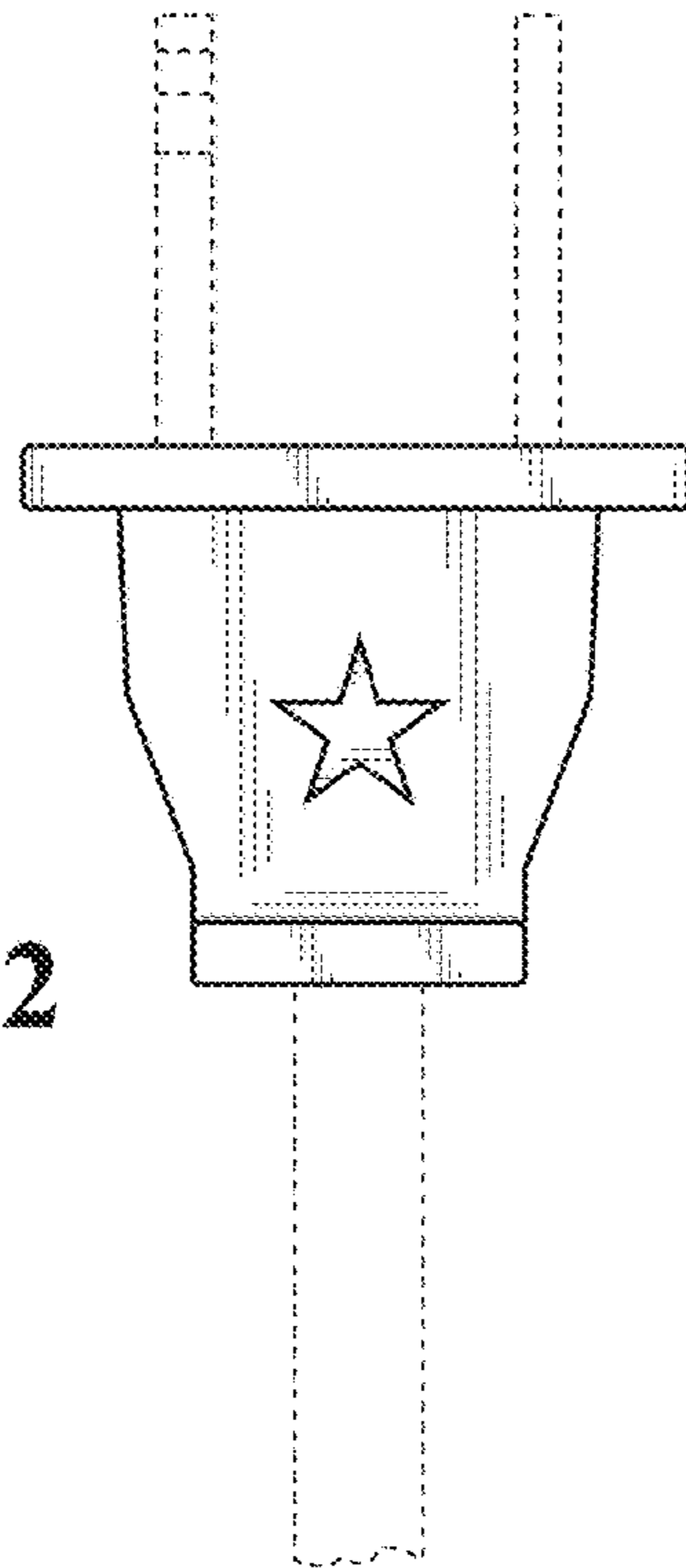


FIG. 2

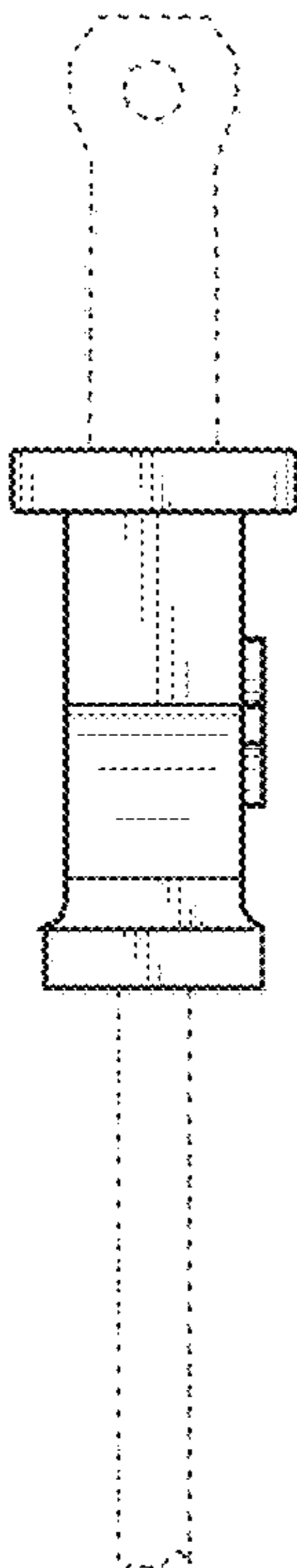


FIG. 3

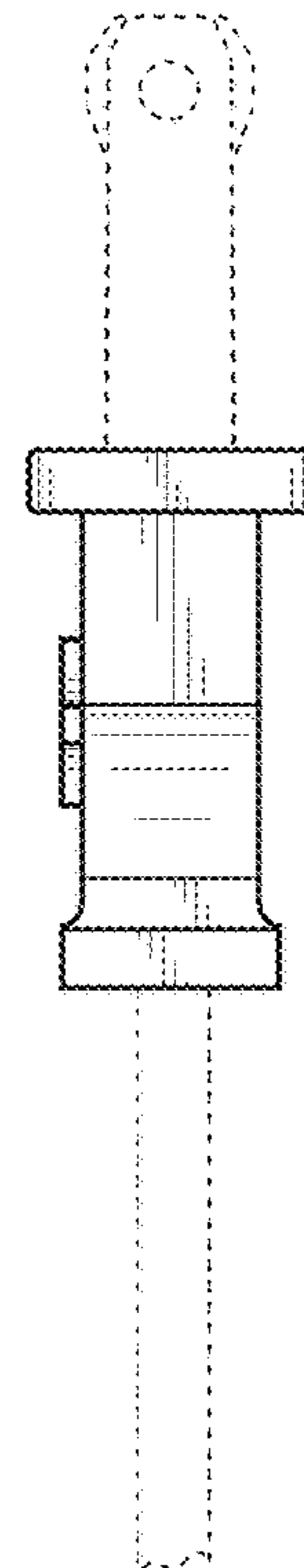


FIG. 4

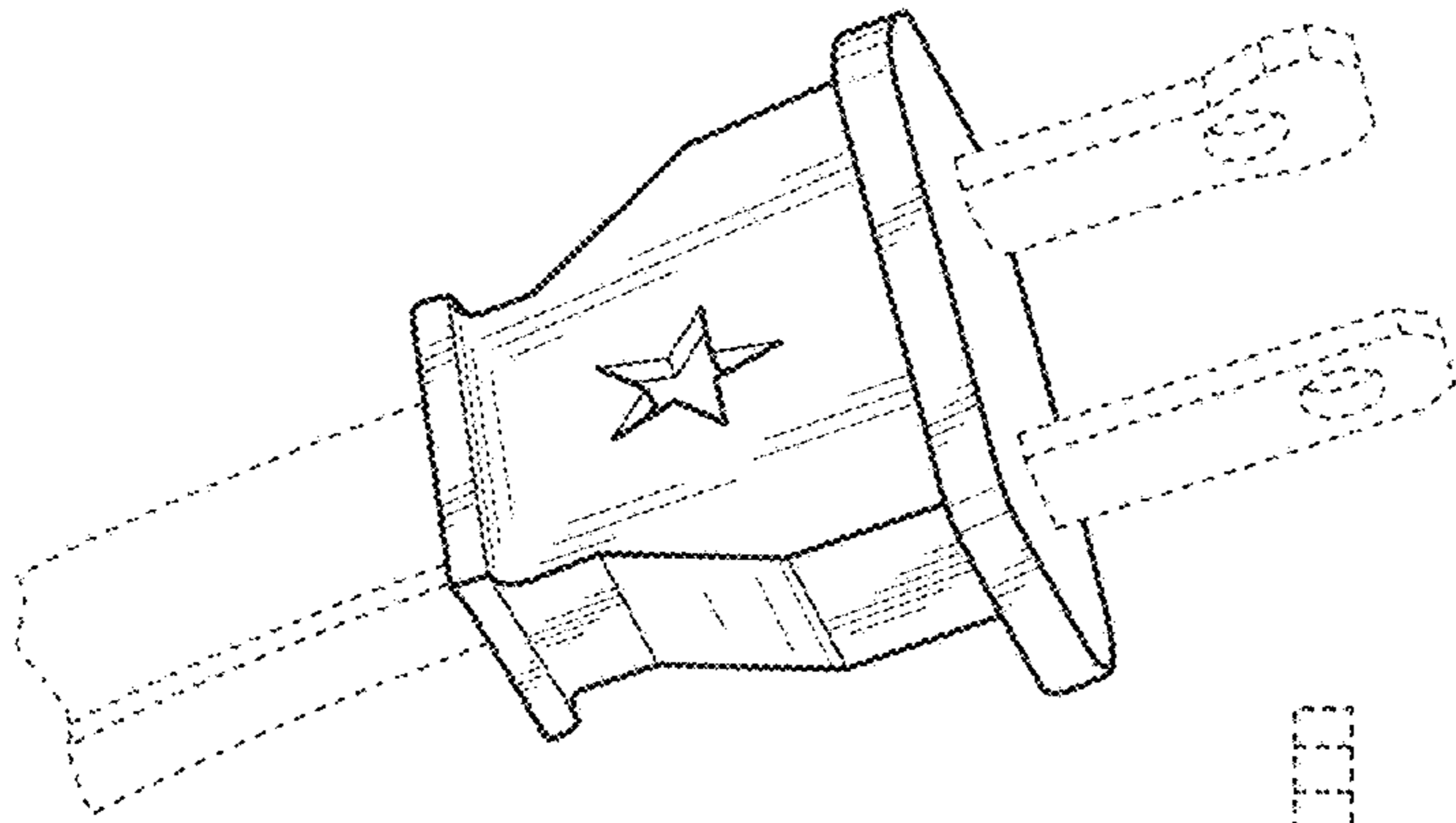


FIG. 5

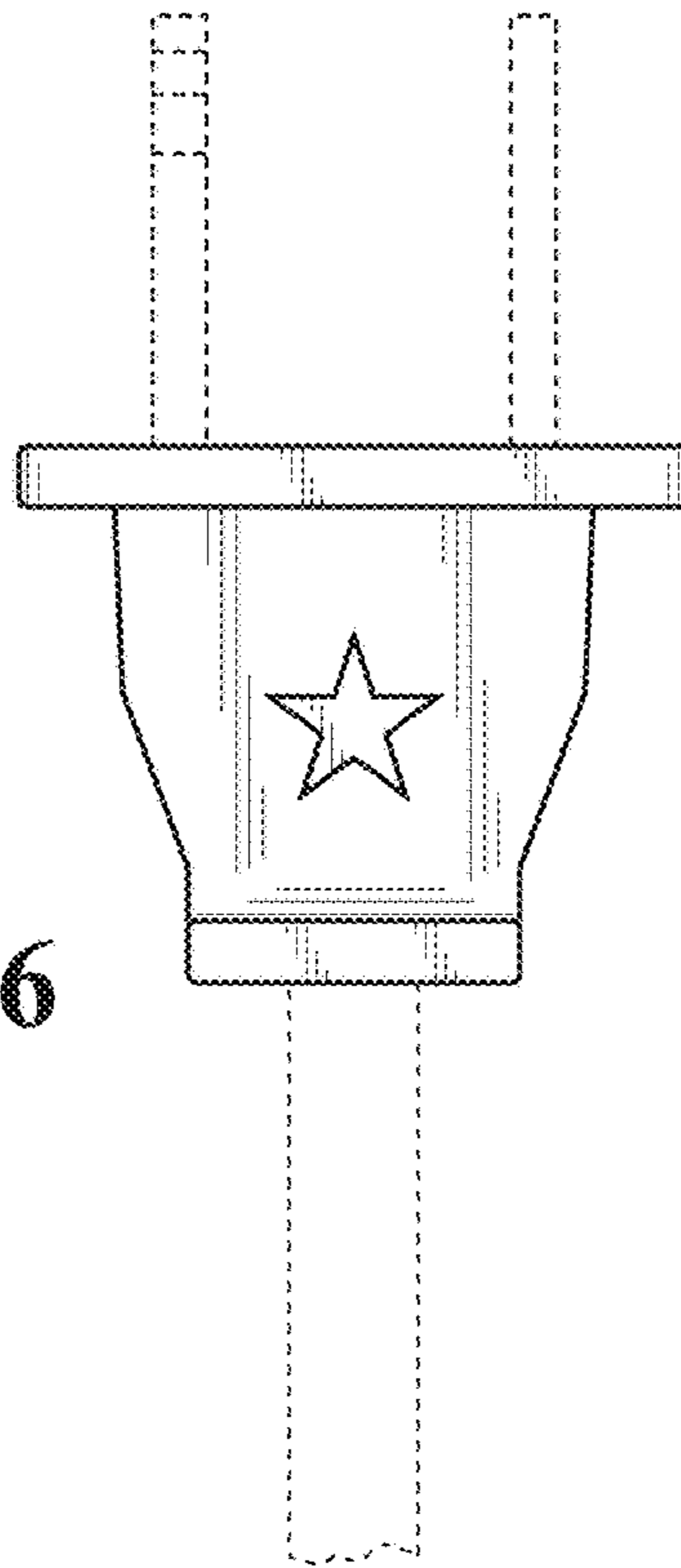


FIG. 6

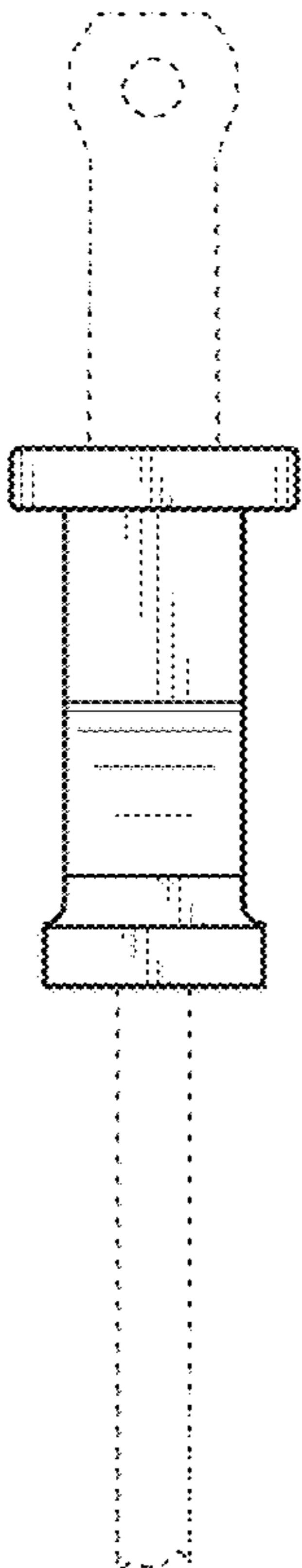


FIG. 7

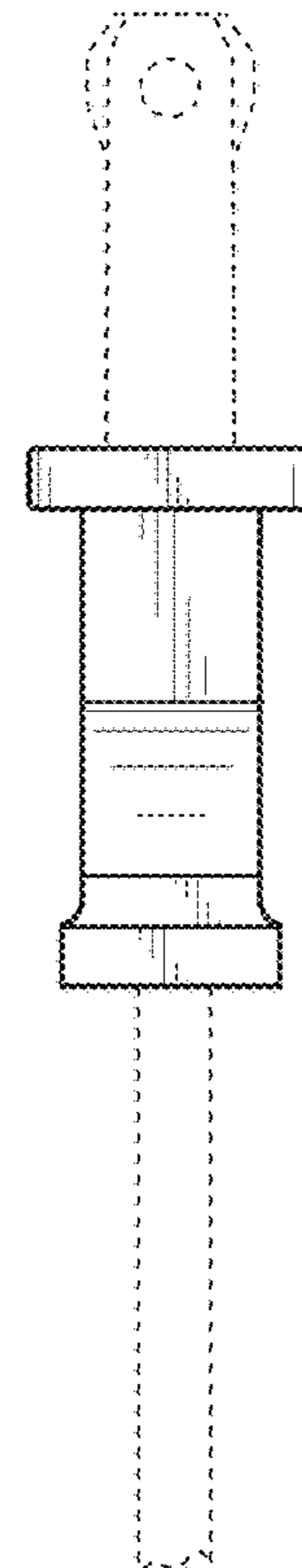


FIG. 8

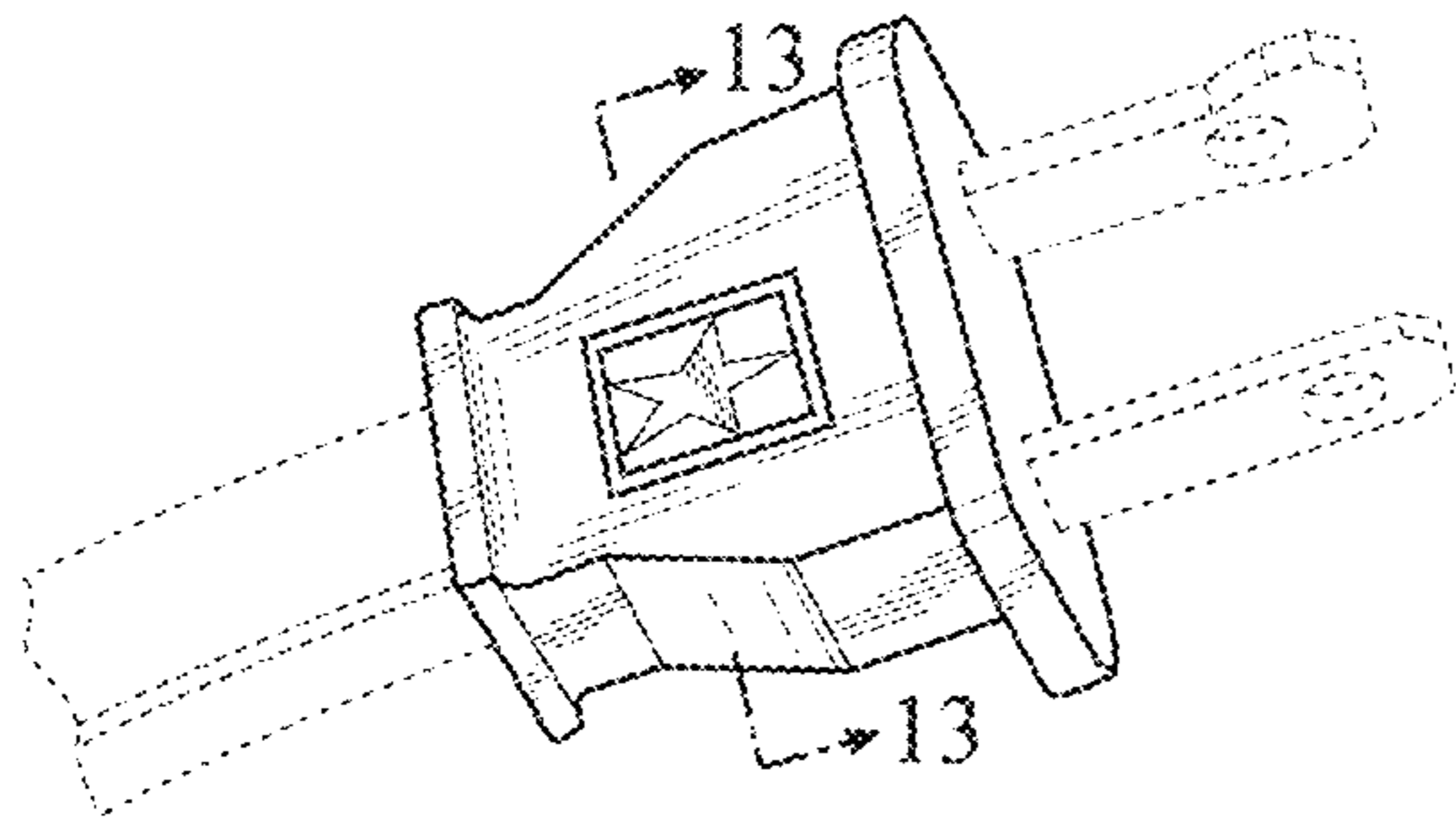


FIG. 9

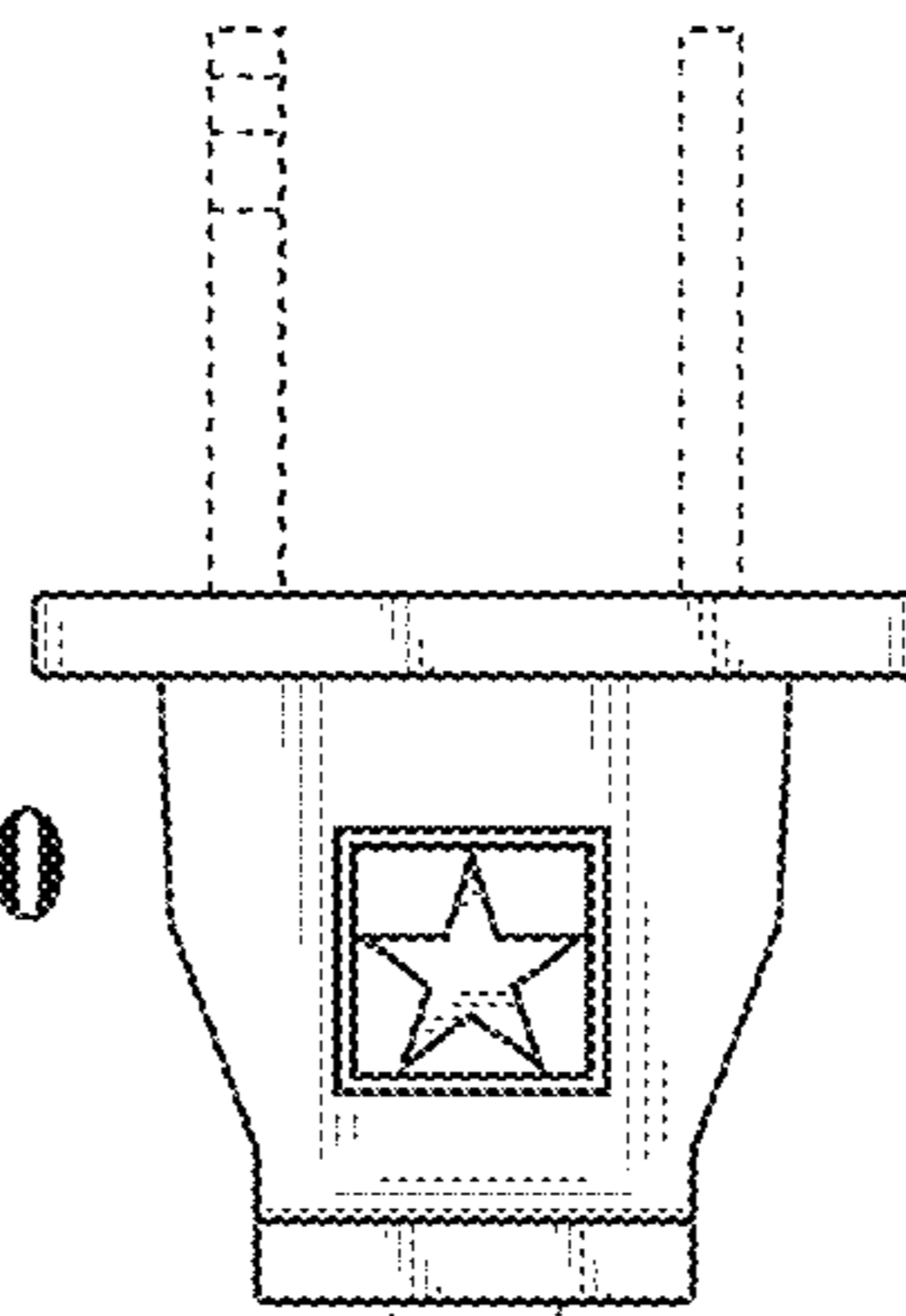


FIG. 10

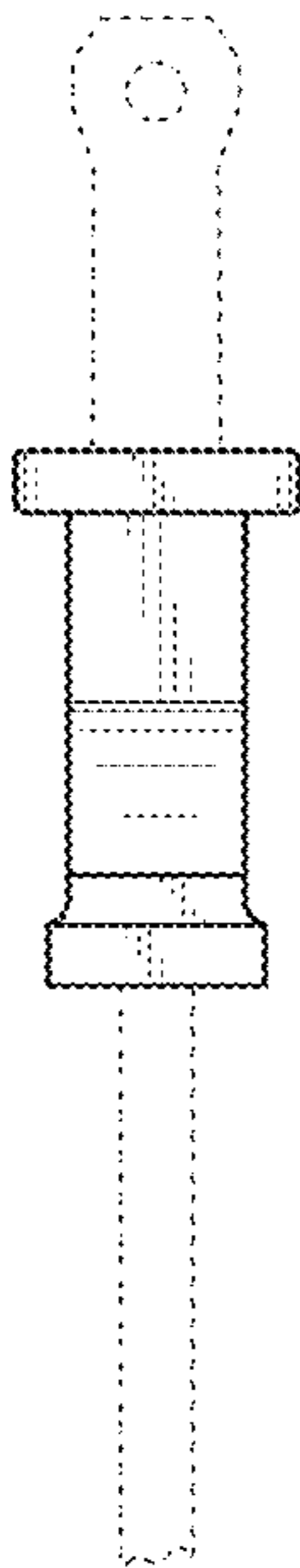


FIG. 11

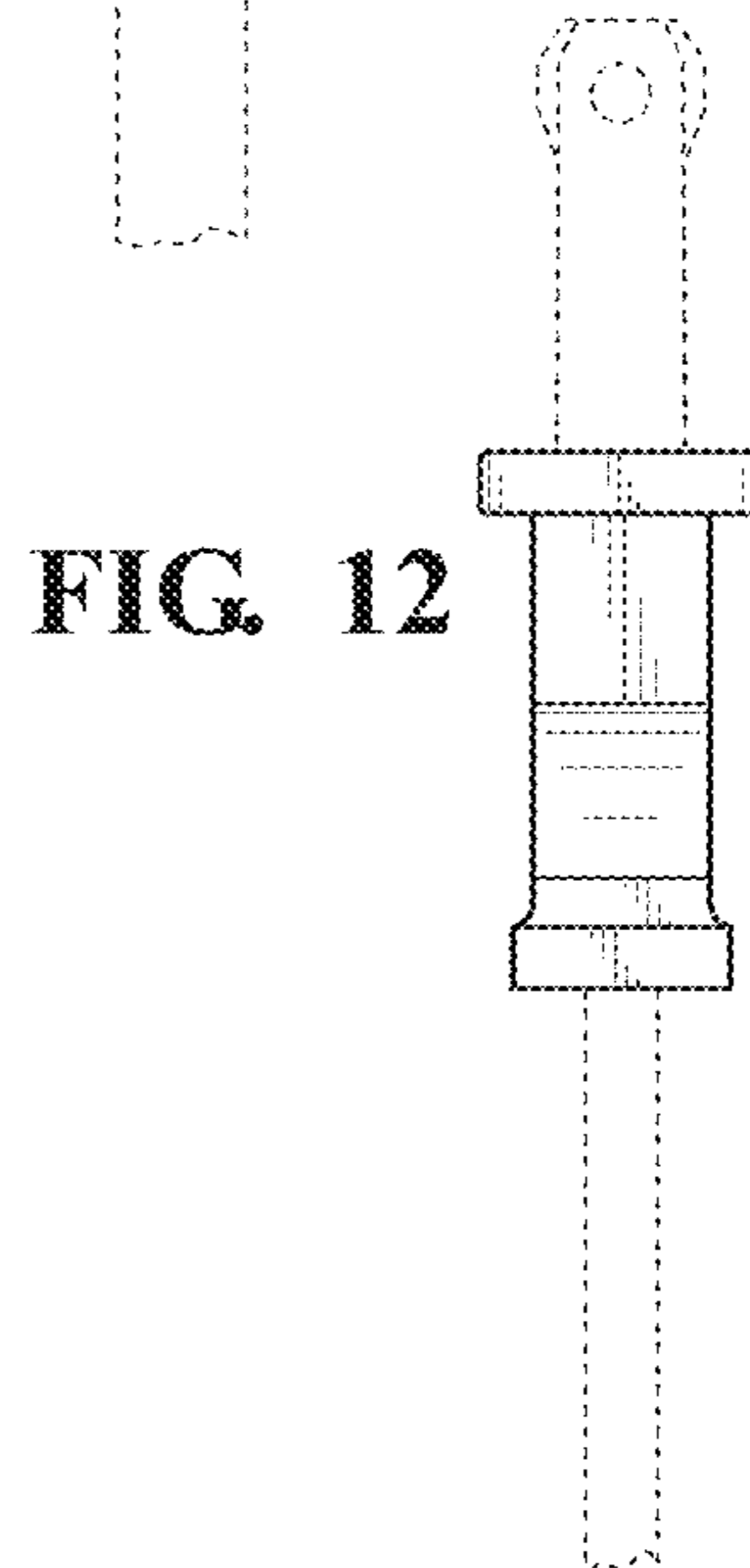


FIG. 12

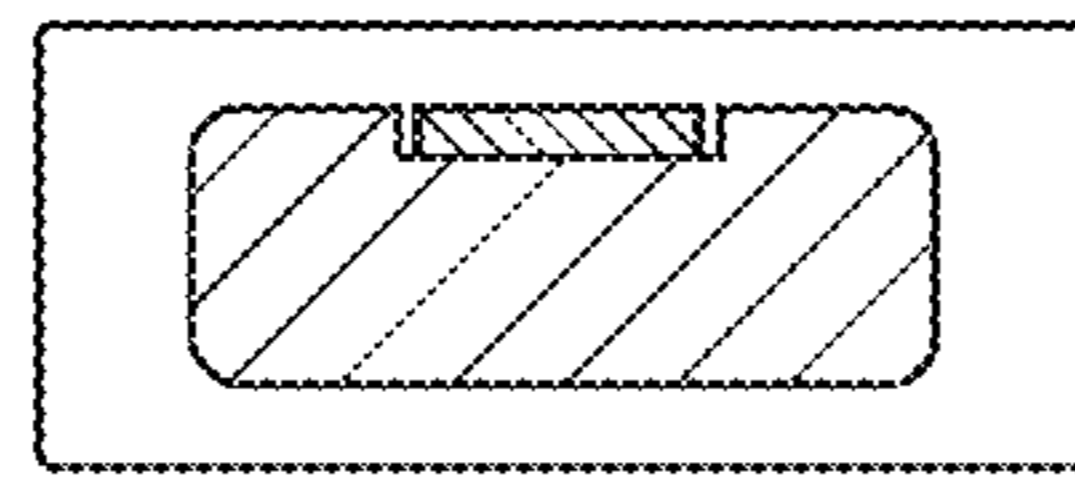


FIG. 13