



US00D796438S

(12) **United States Design Patent** (10) **Patent No.:** **US D796,438 S**
Kakuda et al. (45) **Date of Patent:** **** Sep. 5, 2017**

(54) **INDUCTOR**
(71) Applicant: **ALPS ELECTRIC CO., LTD.**, Tokyo (JP)
(72) Inventors: **Kiyoomi Kakuda**, Tokyo (JP); **Shigemitsu Kaneko**, Tokyo (JP); **Yukio Konno**, Tokyo (JP); **Mitsunao Fujimoto**, Tokyo (JP)

D568,807 S *	5/2008	Suzuki	D13/103
D623,124 S *	9/2010	Nomi	D13/103
D649,970 S *	12/2011	Lyford	D13/133
D669,575 S *	10/2012	Ebert	D24/108
D671,890 S *	12/2012	Tokashiki	D13/125
D682,202 S *	5/2013	Weaver, Jr.	D13/108
D693,302 S *	11/2013	Yamada	D13/117
D705,932 S *	5/2014	Matuschek	D24/158
D707,847 S *	6/2014	Motadel	D24/227
D712,063 S *	8/2014	Austria	D24/231

(73) Assignee: **ALPS ELECTRIC CO., LTD.**, Tokyo (JP)
(**) Term: **15 Years**
(21) Appl. No.: **29/553,138**
(22) Filed: **Jan. 28, 2016**

FOREIGN PATENT DOCUMENTS

CN	201330610739	*	12/2013
JP	D819830		10/1991
JP	D918795		2/1995
JP	D1011976		6/1998
JP	D1301287		5/2007

* cited by examiner

Primary Examiner — Vy Koenig

Assistant Examiner — Omeed Agilee

(74) *Attorney, Agent, or Firm* — Brinks Gilson & Lione

(30) **Foreign Application Priority Data**
Jul. 31, 2015 (JP) D2015-17043
(51) **LOC (10) Cl.** **13-02**
(52) **U.S. Cl.**
USPC **D13/117**
(58) **Field of Classification Search**
USPC D13/102-106, 107-110, 117-119, 133,
D13/184; D14/349, 351, 353-355;
D15/8, 9; D24/108, 158, 163
CPC H01L 28/00; H01L 21/283
See application file for complete search history.

(57) **CLAIM**

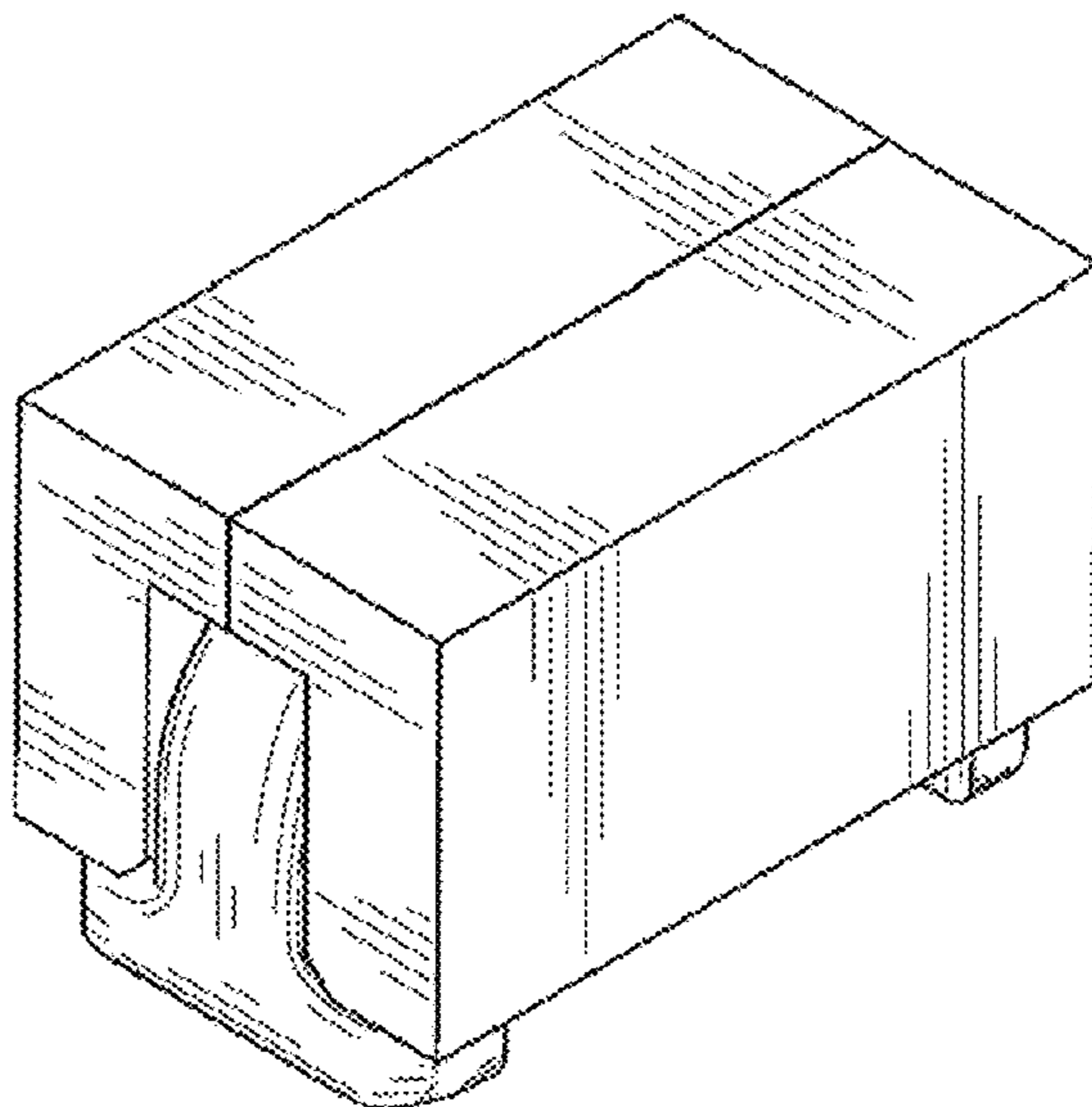
The ornamental design for an inductor, as shown and described.

DESCRIPTION

FIG. 1 is a front view of an inductor
FIG. 2 is a right side view thereof;
FIG. 3 is a top view thereof;
FIG. 4 is a bottom view thereof;
FIG. 5 is a perspective view thereof;
FIG. 6 is an 6-6 cross sectional view taken from the line 6-6 in FIG. 3 thereof; and,
FIG. 7 is a 7-7 cross sectional view taken from the line 7-7 in FIG. 1 thereof.

(56) **References Cited**
U.S. PATENT DOCUMENTS
D340,692 S * 10/1993 Iijima D13/123
D390,825 S * 2/1998 Chen D13/110
D428,384 S * 7/2000 Maeyama D13/103
D559,178 S * 1/2008 Ashida D13/110
D560,159 S * 1/2008 Matsumoto D13/103

1 Claim, 4 Drawing Sheets



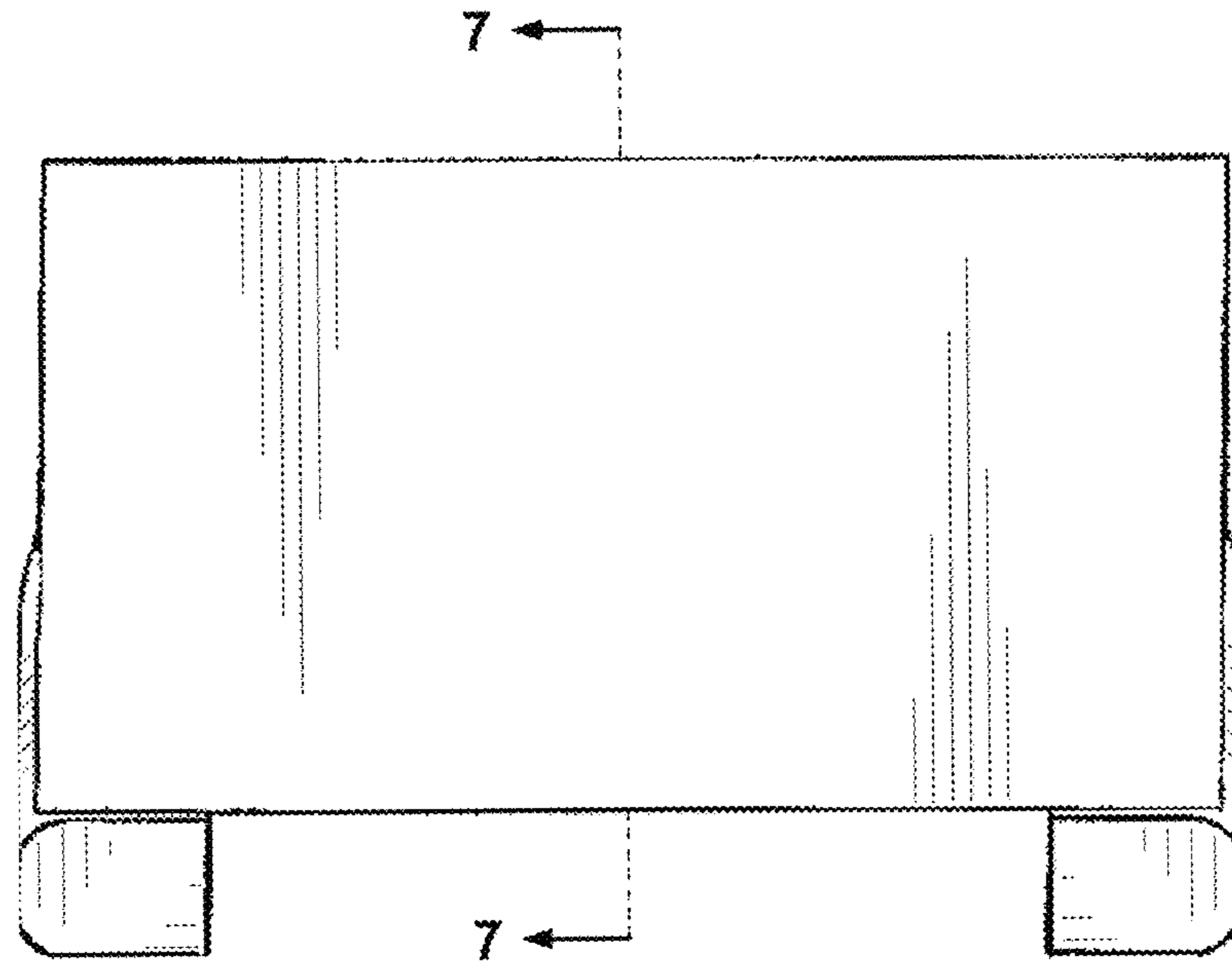


FIG. 1

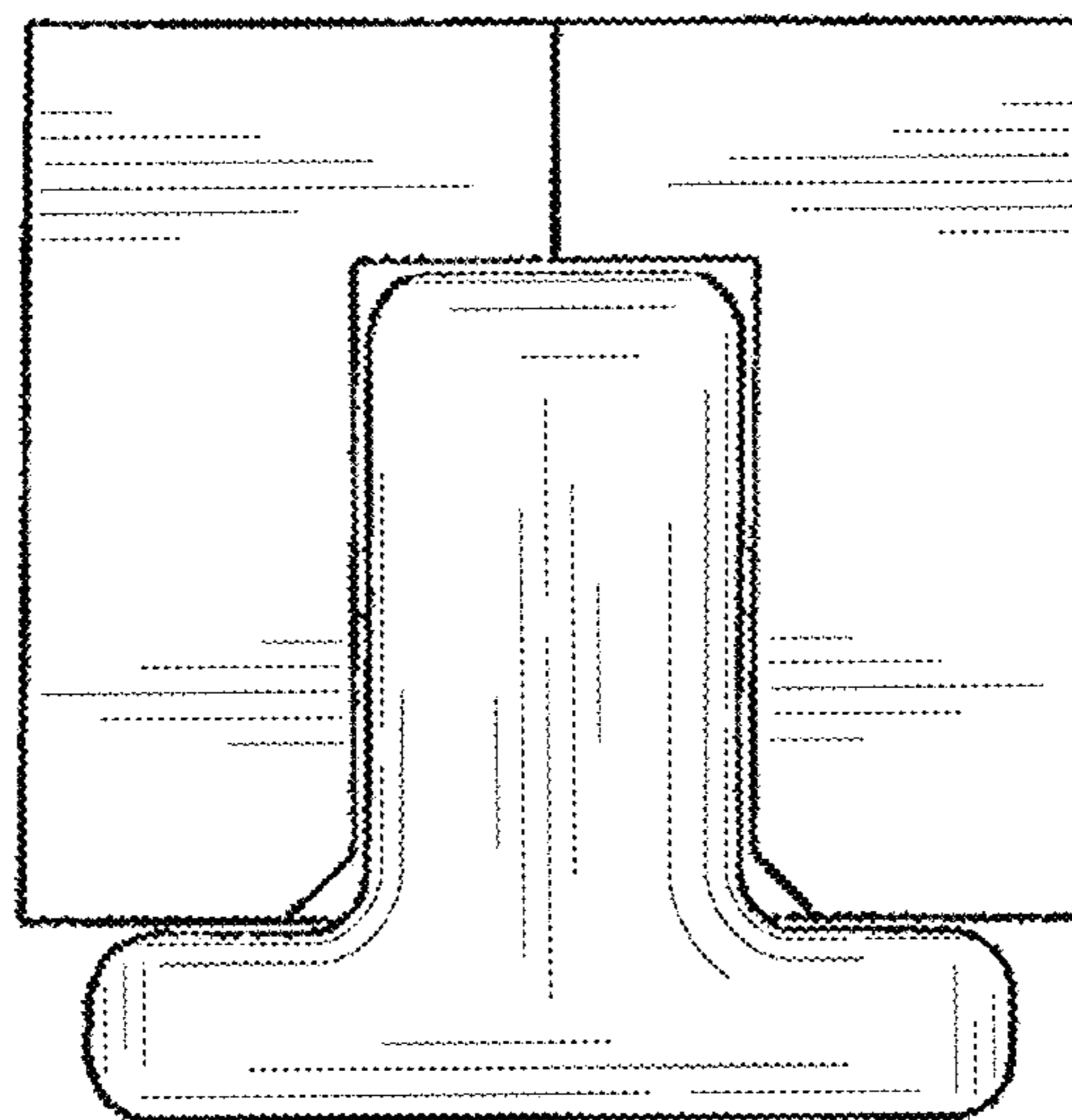


FIG. 2

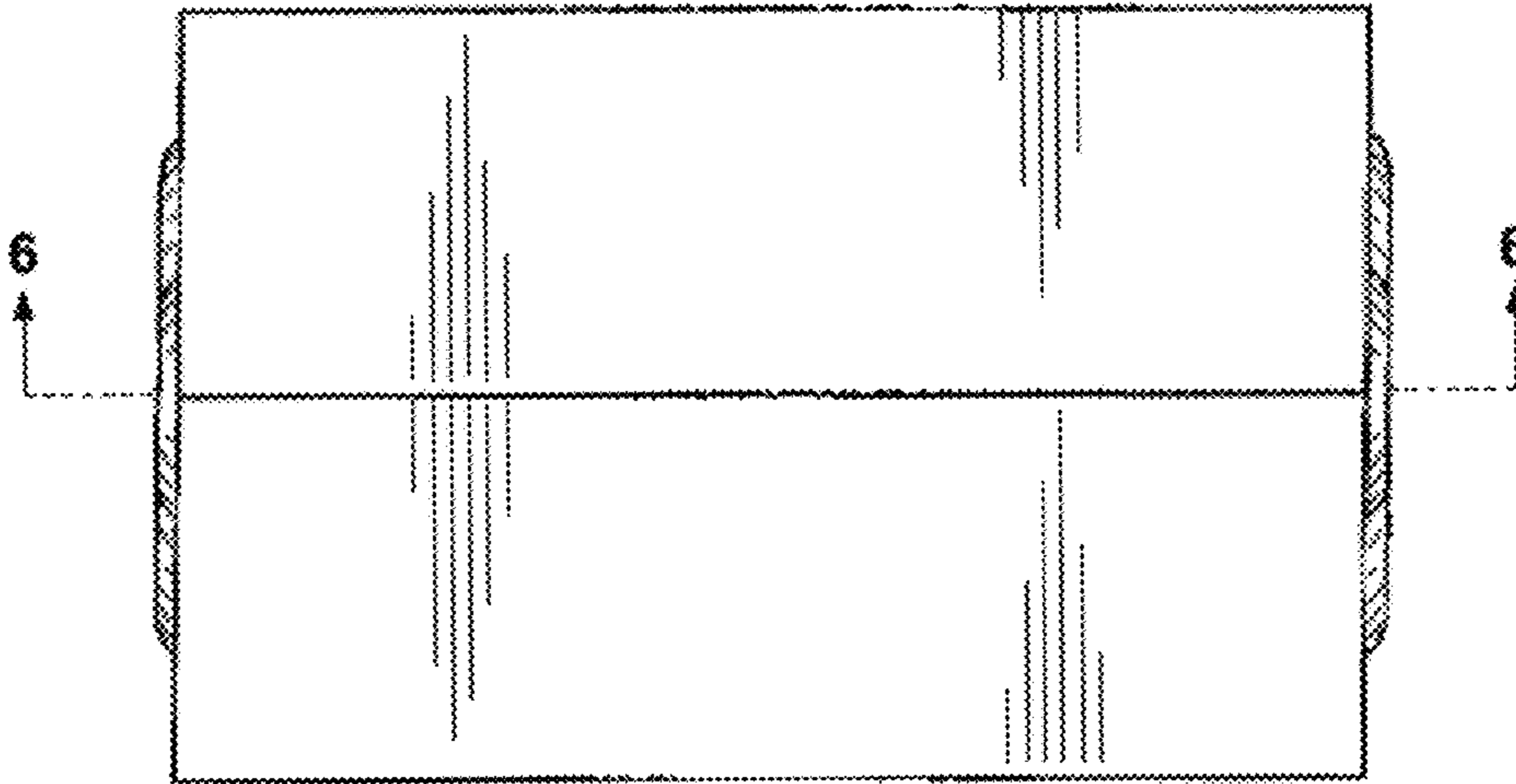


FIG. 3

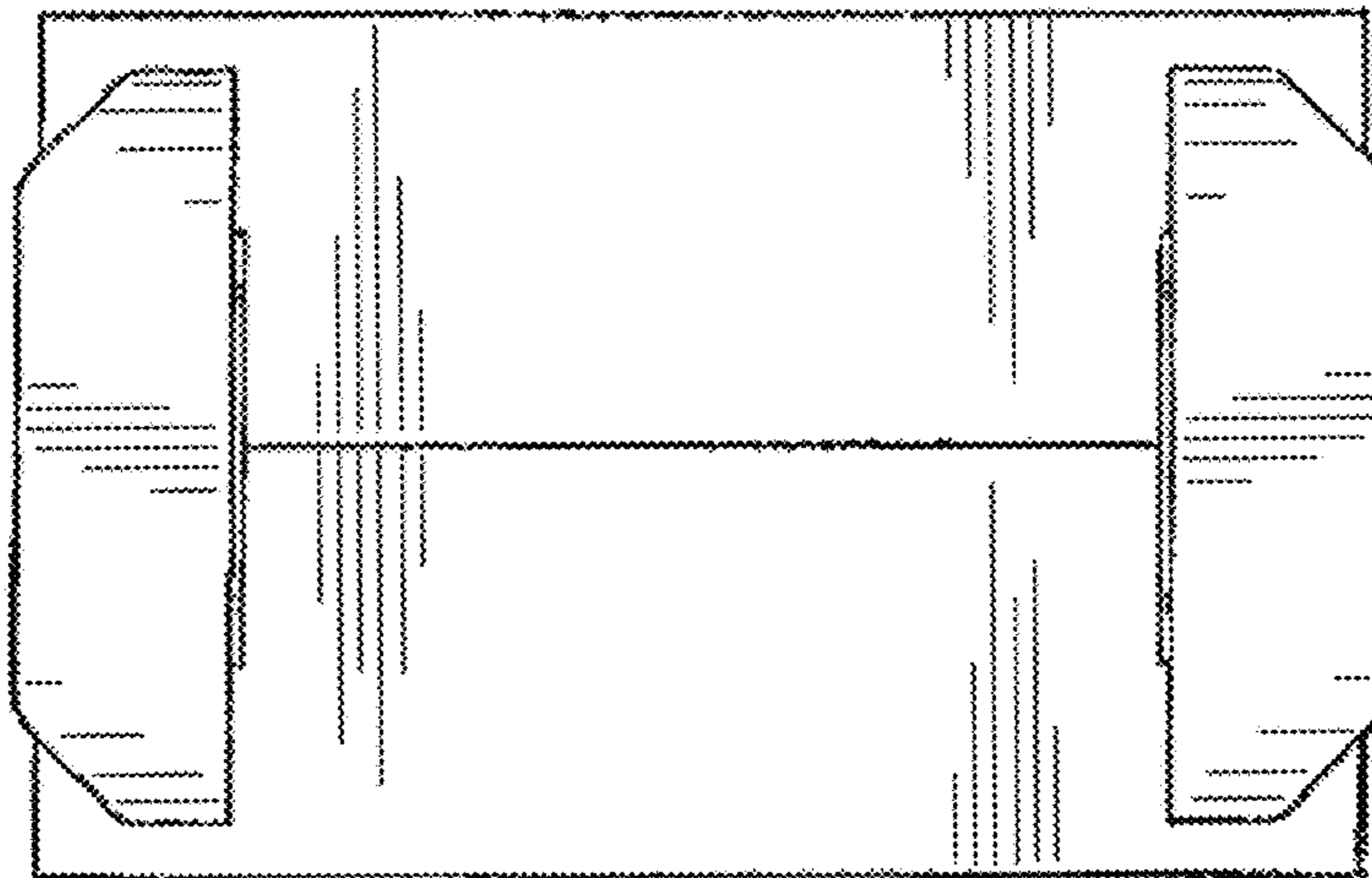


FIG. 4

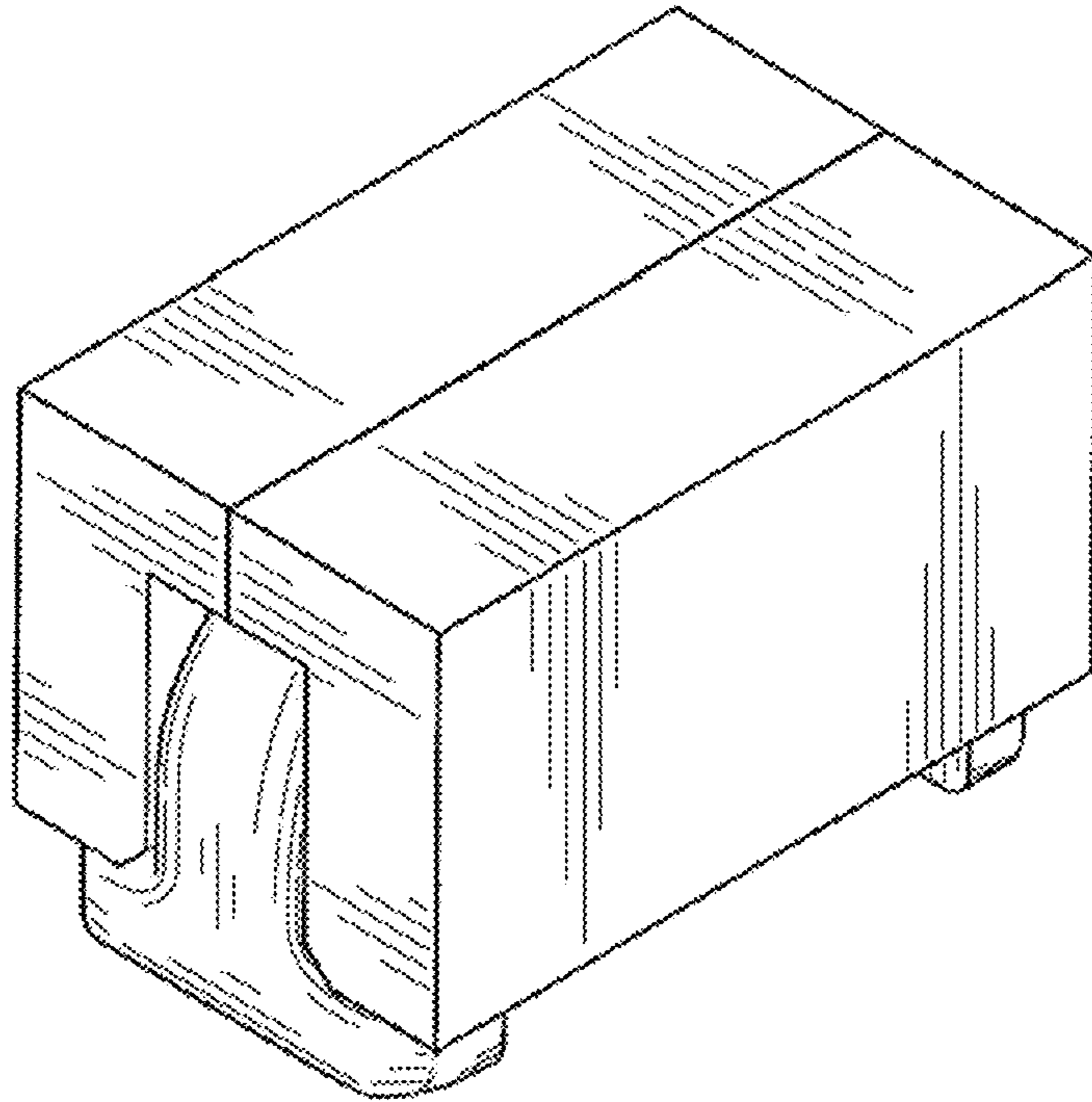


FIG. 5

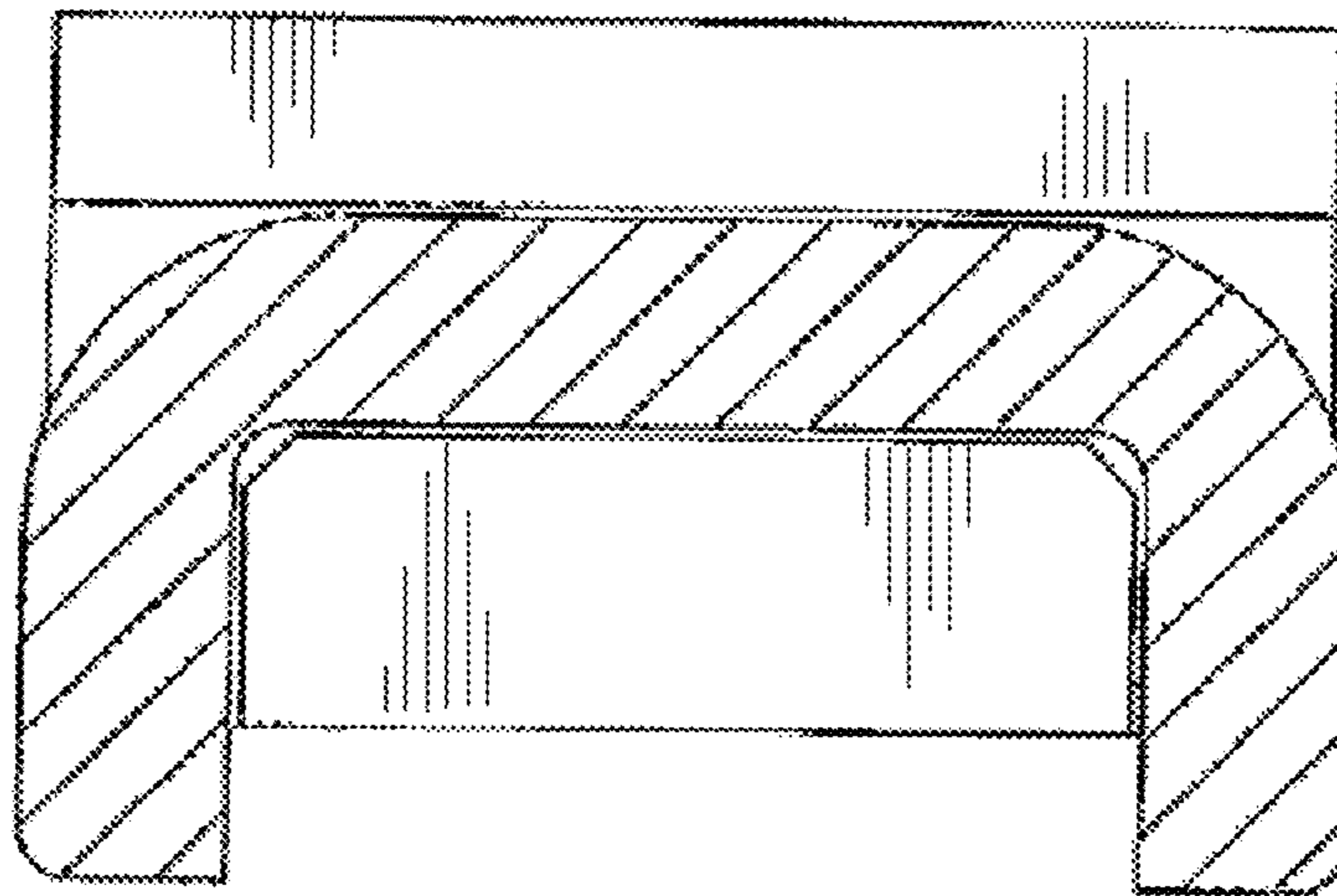


FIG. 6

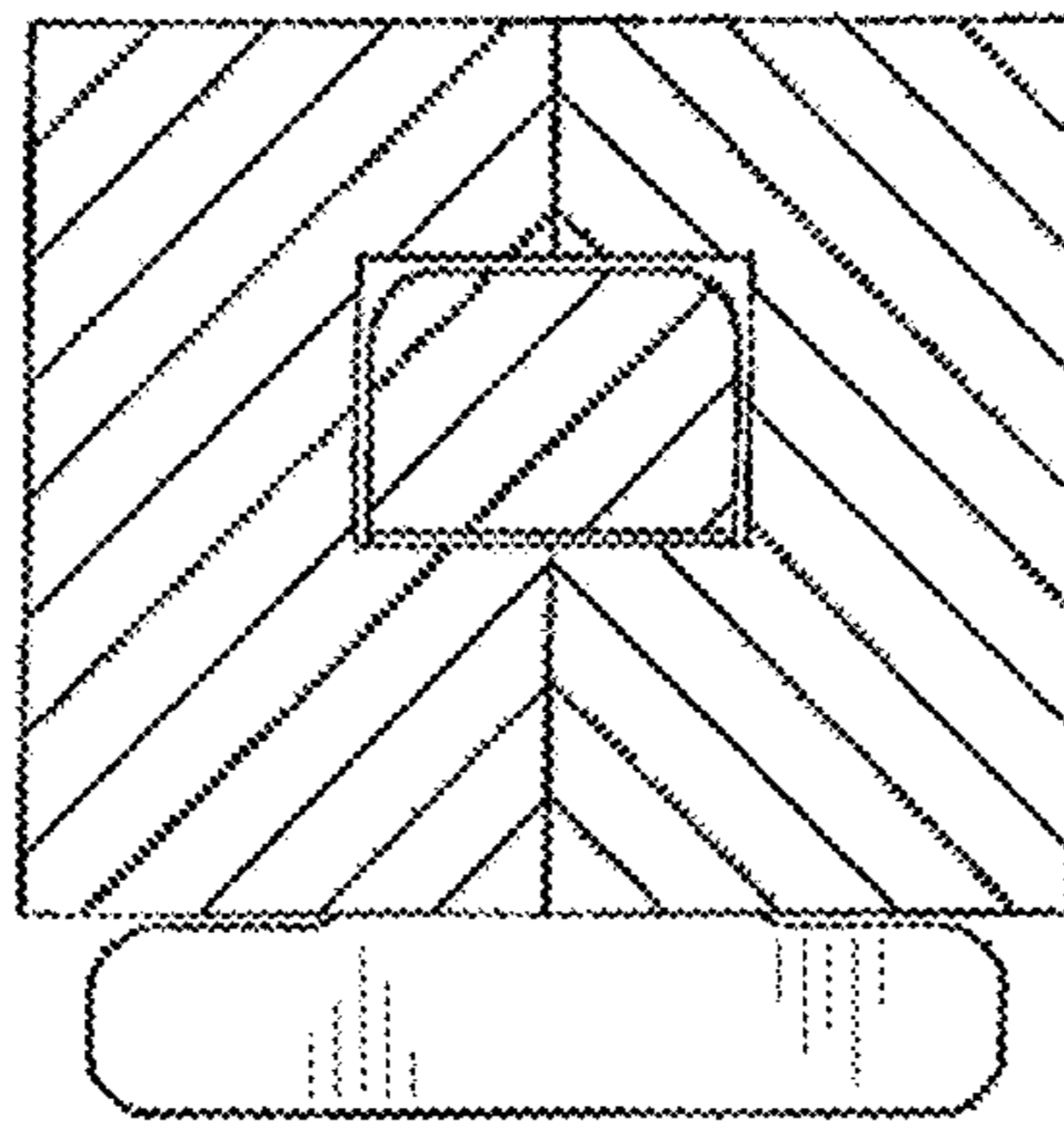


FIG. 7