



US00D796437S

(12) **United States Design Patent**  
**Banayan**

(10) **Patent No.:** **US D796,437 S**

(45) **Date of Patent:** **\*\* Sep. 5, 2017**

(54) **POWER ADAPTOR**

(71) Applicant: **Adaptive Frequency Holdings, LLC**,  
Compton, CA (US)

(72) Inventor: **Aziz Banayan**, Beverly Hills, CA (US)

(73) Assignee: **Adaptive Frequency Holdings, LLC**,  
Compton, CA (US)

(\*\*) Term: **15 Years**

(21) Appl. No.: **29/530,564**

(22) Filed: **Jun. 17, 2015**

(51) **LOC (10) Cl.** ..... **13-02**

(52) **U.S. Cl.**  
USPC ..... **D13/110**

(58) **Field of Classification Search**  
USPC ..... D13/110, 107, 108, 118, 119, 123, 133,  
D13/137.1, 137.2, 139.1, 139.2, 184, 199;  
D14/242, 251, 432, 433, 434; 174/53,  
174/54, 59, 61; 307/11, 150, 151;  
320/107, 111, 112, 113, 114, 115;  
361/679.01; 363/142, 146; 439/131,  
439/172, 626, 628, 638  
CPC ..... H01R 31/06; H01R 25/00; H02M 7/003;  
H02M 2001/007; H02M 2001/0012;  
H02M 2001/0025; H02M 3/157; H05K  
7/1432; H02J 7/0062  
See application file for complete search history.

(56) **References Cited**

**U.S. PATENT DOCUMENTS**

- D327,050 S \* 6/1992 Zirinsky ..... D13/110
- D340,909 S \* 11/1993 Ip ..... D13/110
- D390,532 S \* 2/1998 Su ..... D13/110
- 6,270,046 B1 \* 8/2001 Liu ..... G06F 1/188  
248/231.9
- D615,492 S \* 5/2010 Mibayashi ..... D13/110
- D674,342 S \* 1/2013 Ho ..... D13/110

- D675,982 S \* 2/2013 Kuhn ..... D13/110
- D680,953 S \* 4/2013 Kuo ..... D13/137.2

\* cited by examiner

*Primary Examiner* — Derrick Holland

(74) *Attorney, Agent, or Firm* — Michael D. Harris;  
SoCal IP Law Group LLP

(57) **CLAIM**

The ornamental design for a power adaptor, as shown and described.

**DESCRIPTION**

A portion of the disclosure of this patent document contains material to which a claim for copyright is made. The copyright owner has no objection to the facsimile reproduction by anyone of the patent document or the patent disclosure, as it appears in the Patent and Trademark Office patent file or records, but reserves all other copyright rights whatsoever.

FIG. 1 is a front, top and right perspective view of a first embodiment of a power adaptor.

FIG. 2 is a rear, top and left perspective view thereof.

FIG. 3 is a front elevation view thereof.

FIG. 4 is a rear elevation view thereof.

FIG. 5 is a right side elevation view thereof.

FIG. 6 is a left side elevation view thereof.

FIG. 7 is a top plan view thereof.

FIG. 8 is a bottom plan view thereof.

FIG. 9 is a front, top and right perspective view of a second embodiment of a power adaptor.

FIG. 10 is a rear, and top perspective view thereof.

FIG. 11 is a front elevation view thereof.

FIG. 12 is a rear elevation view thereof.

FIG. 13 is a right side elevation view thereof.

FIG. 14 is a left side elevation view thereof.

FIG. 15 is a top plan view thereof; and,

FIG. 16 is a bottom plan view thereof.

The broken lines shown represent unclaimed subject matter and form no part of the claimed design.

**1 Claim, 12 Drawing Sheets**

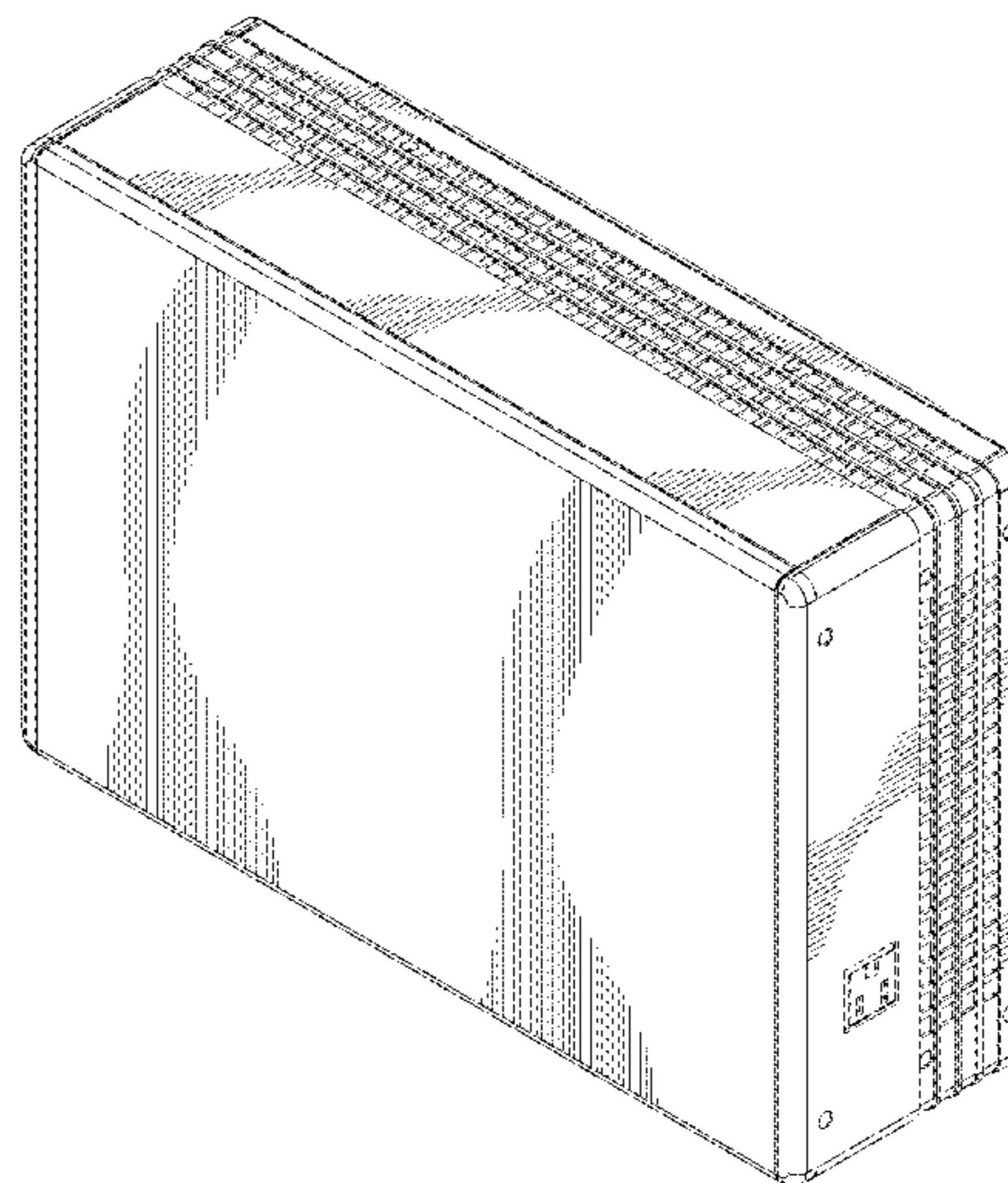
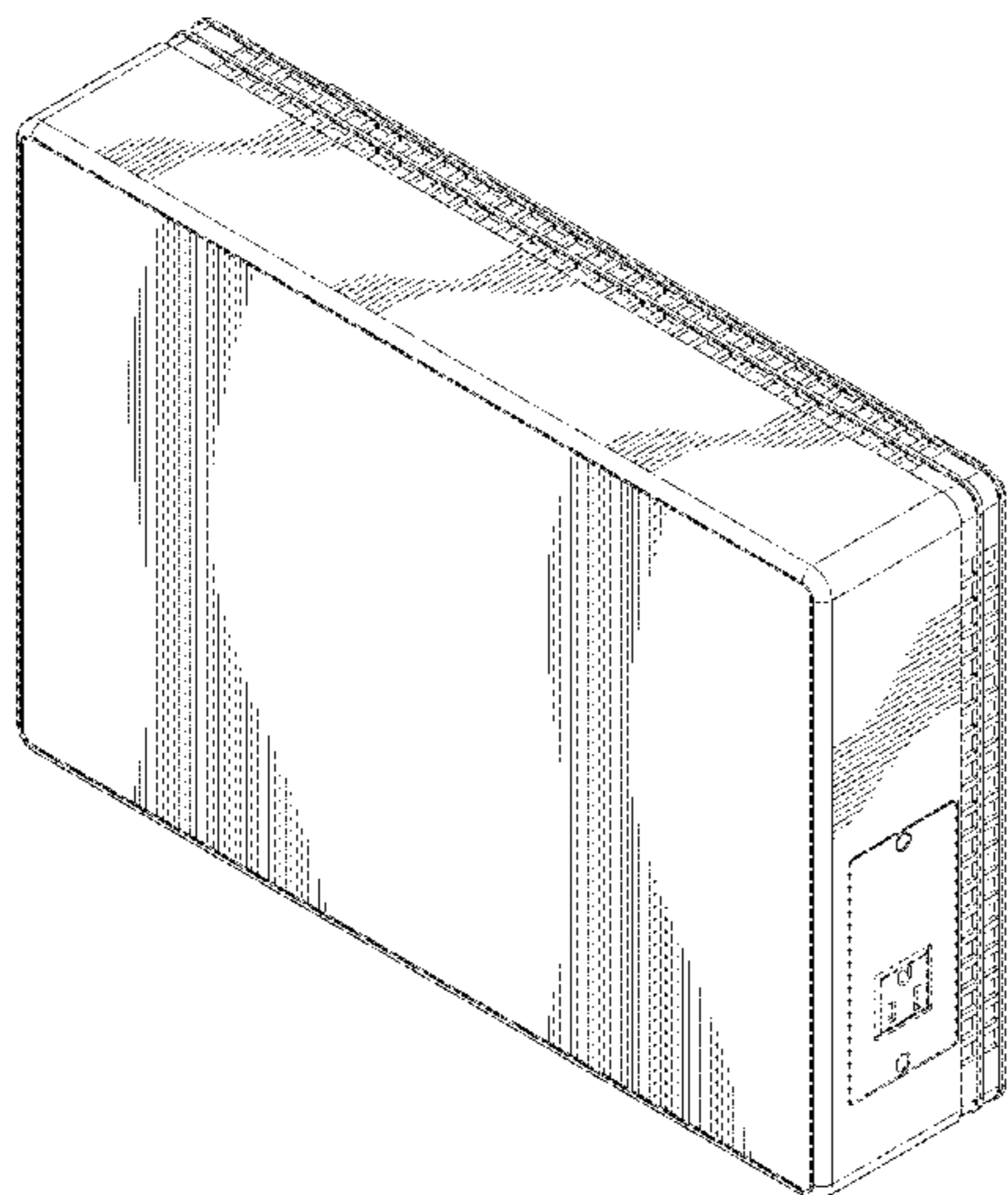
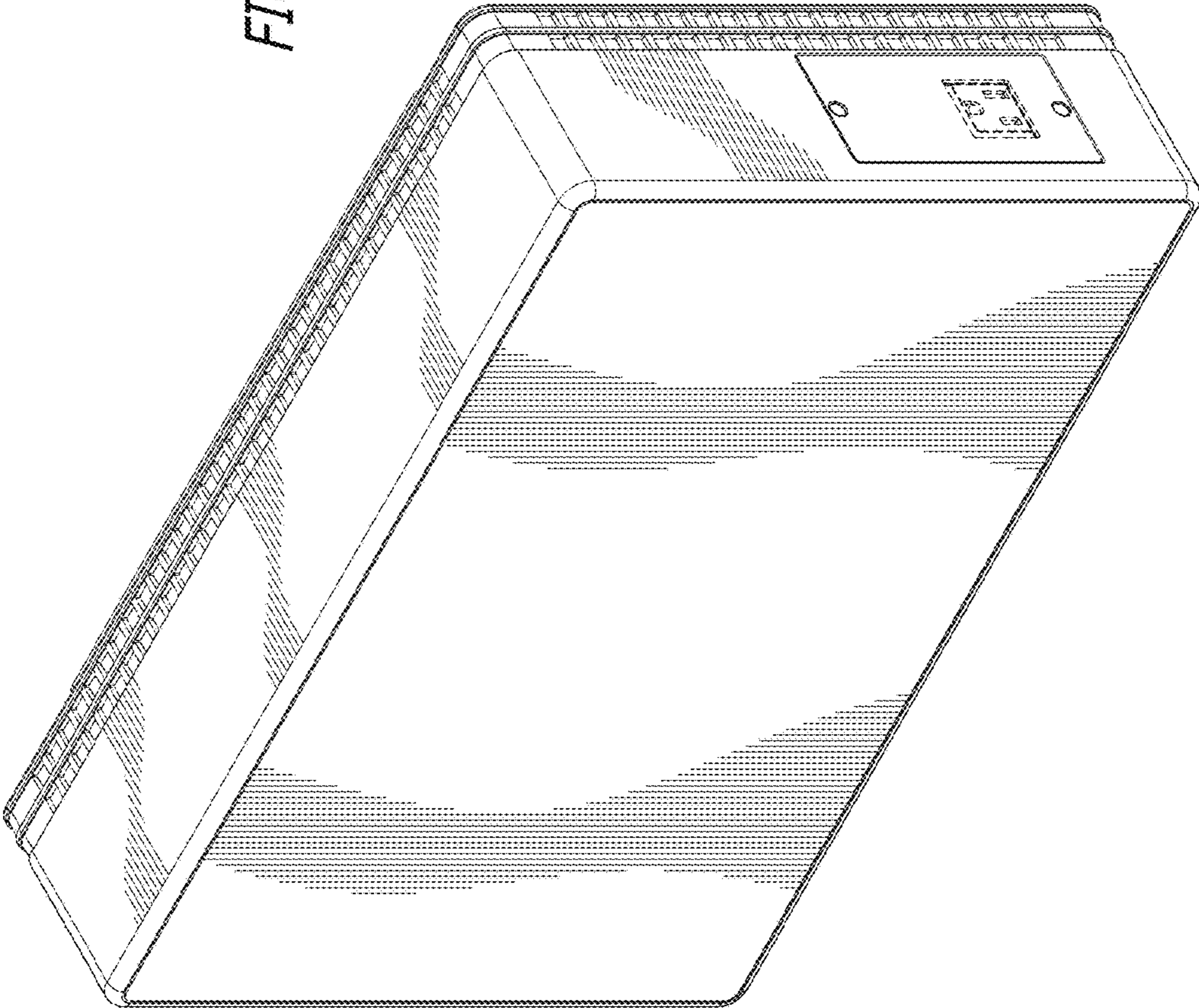
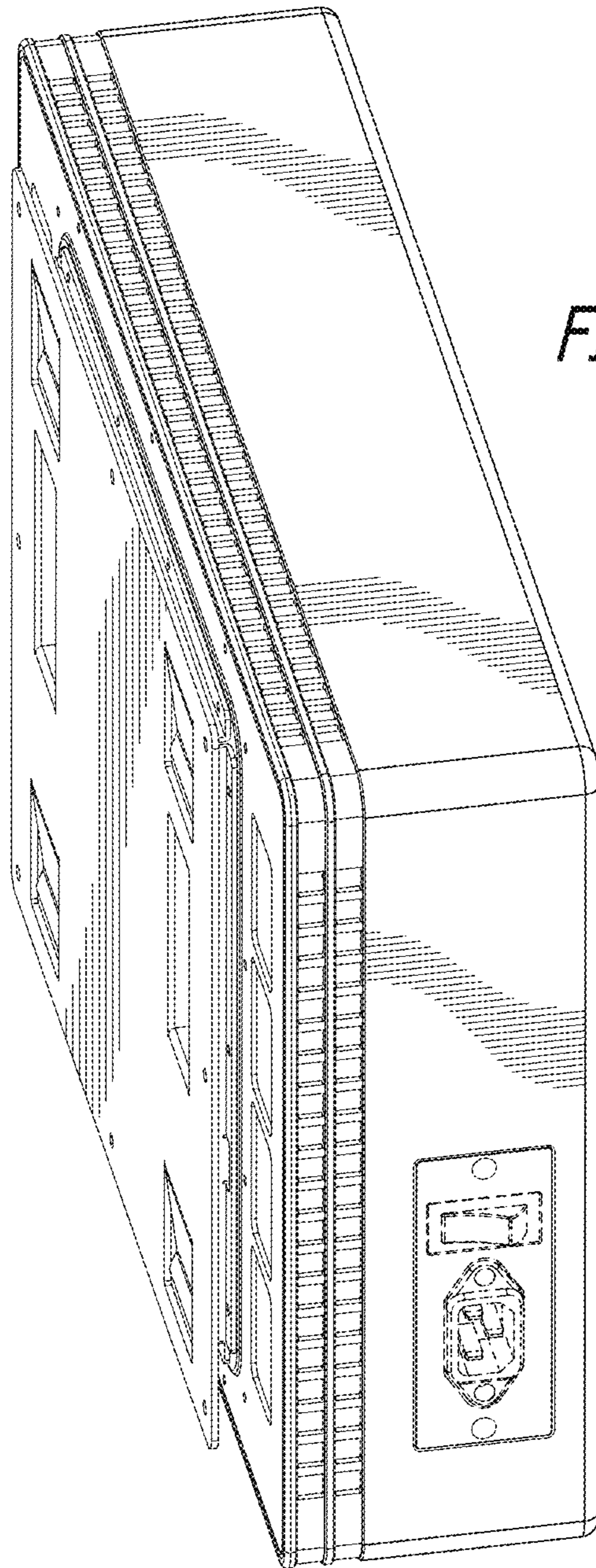


FIG. 1







*FIG. 2*

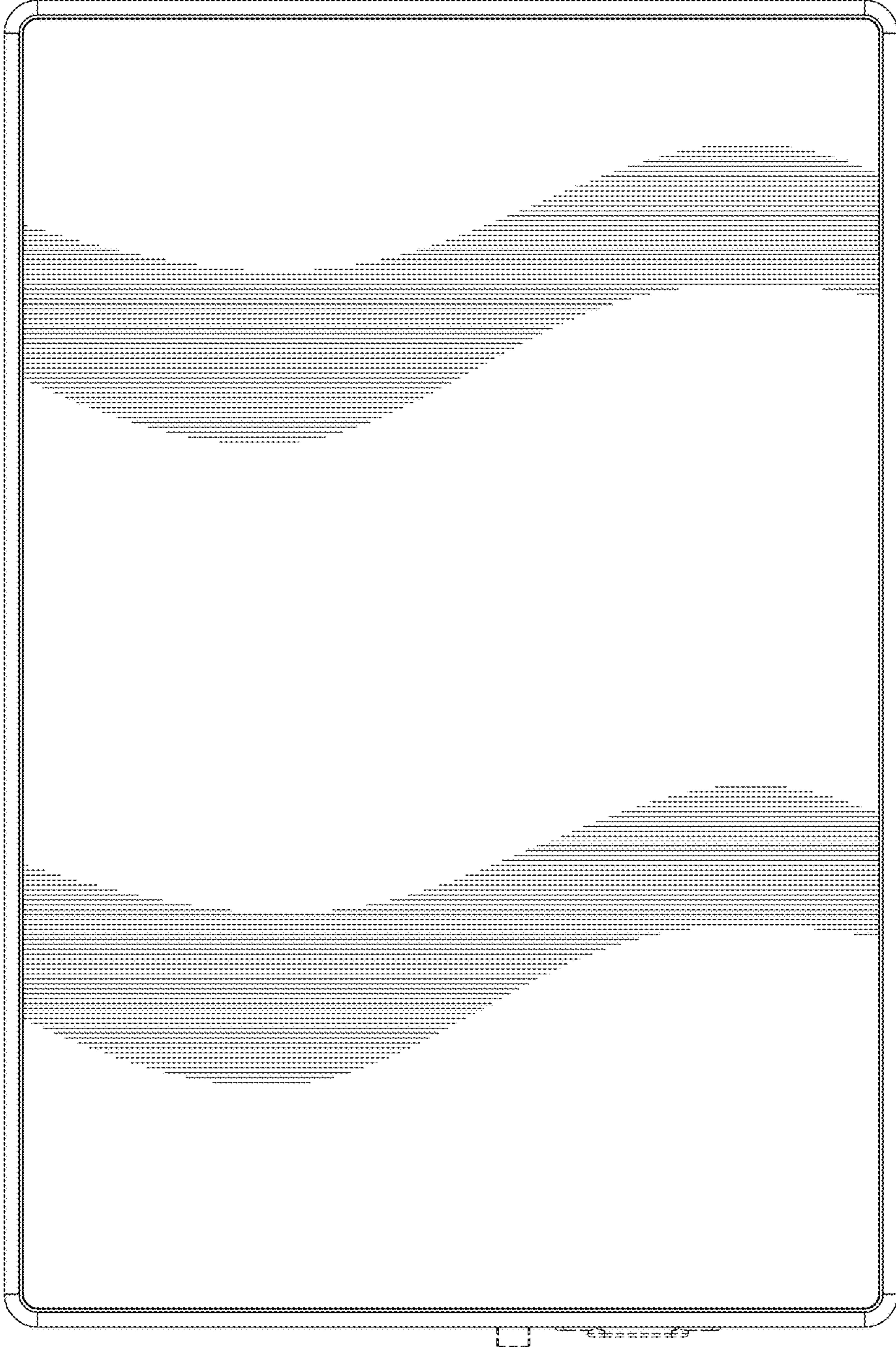


FIG. 3

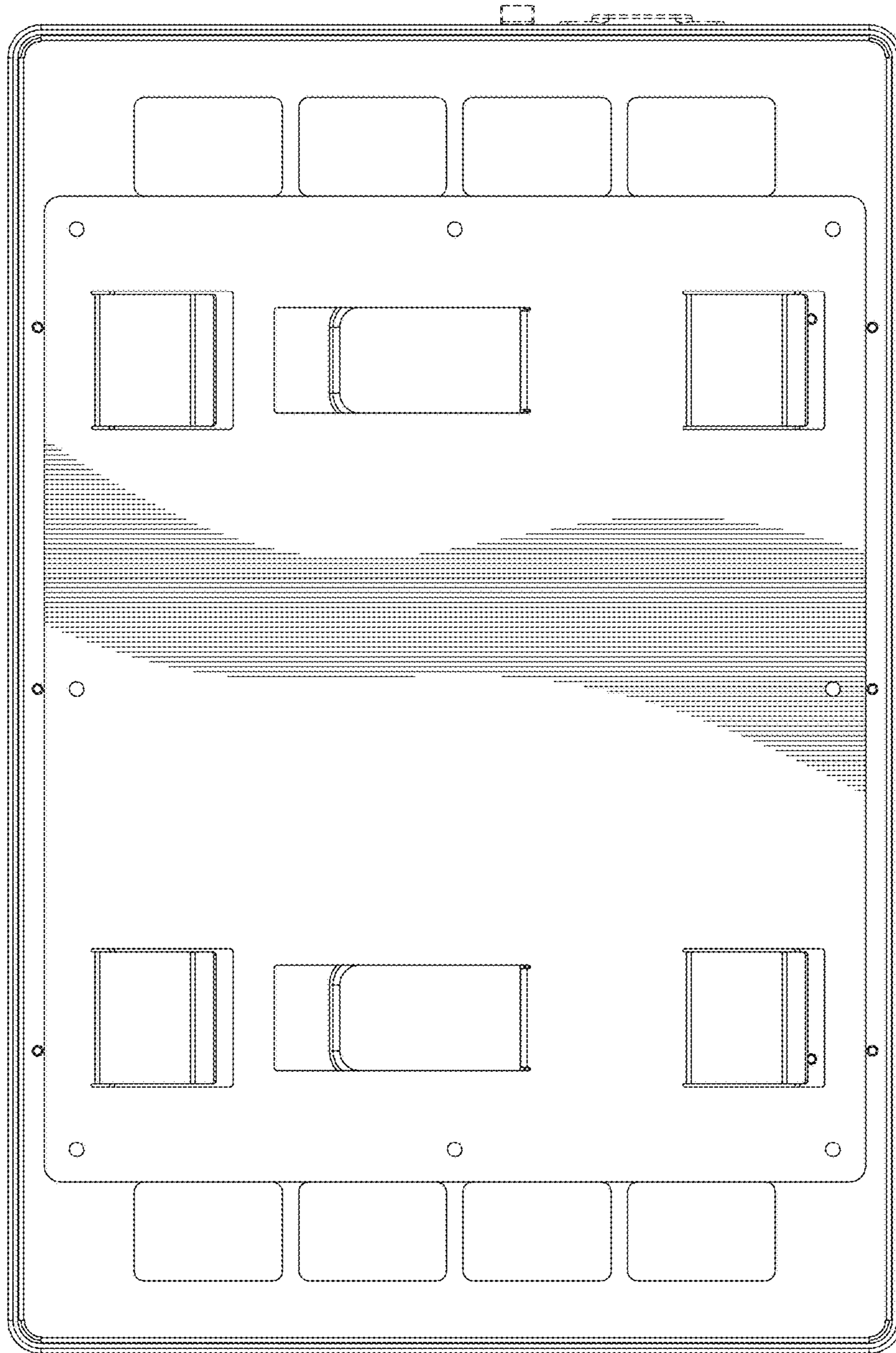


FIG. 4

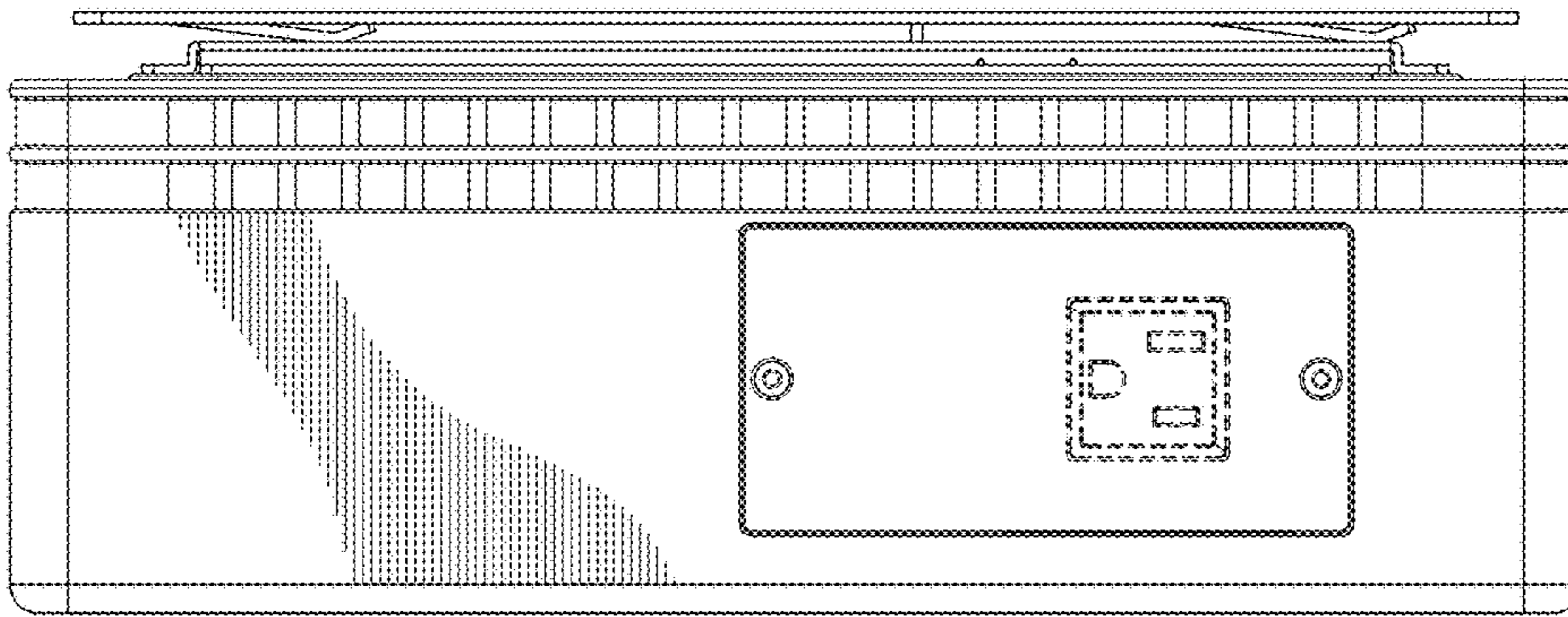


FIG. 6

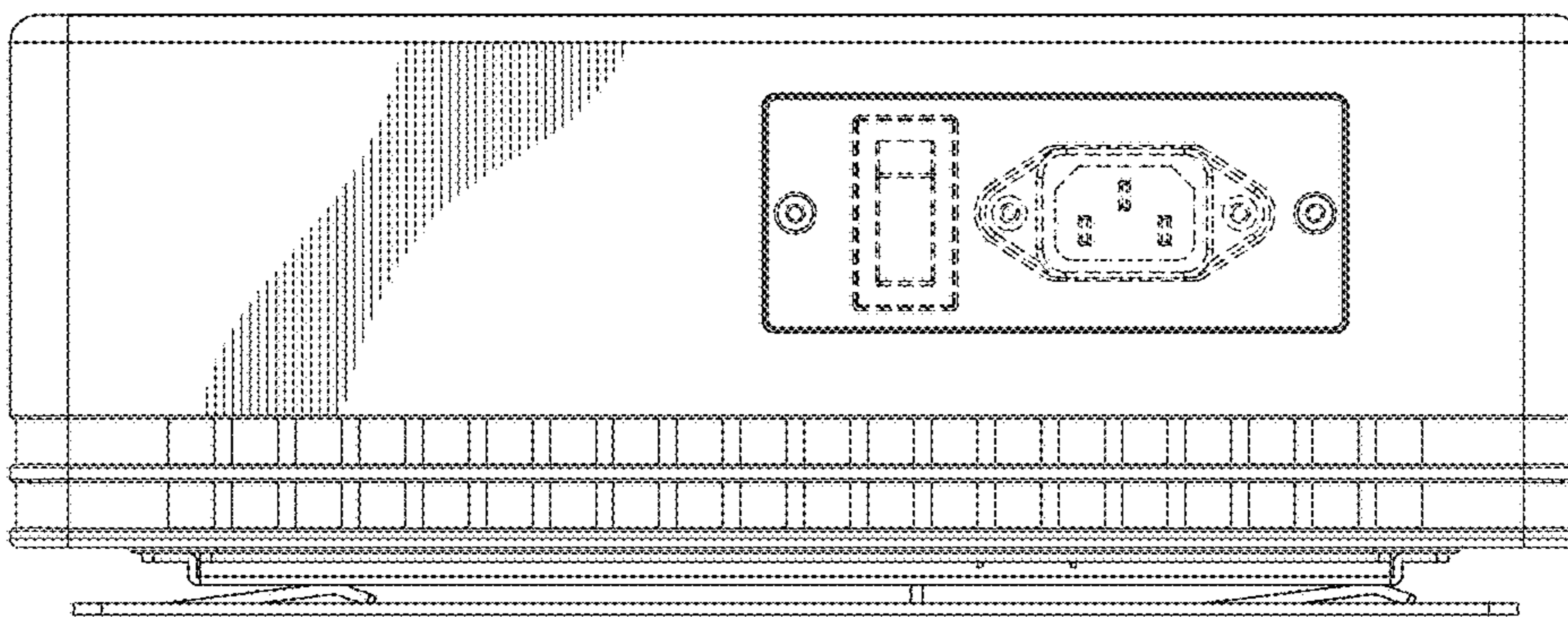


FIG. 5



FIG. 7

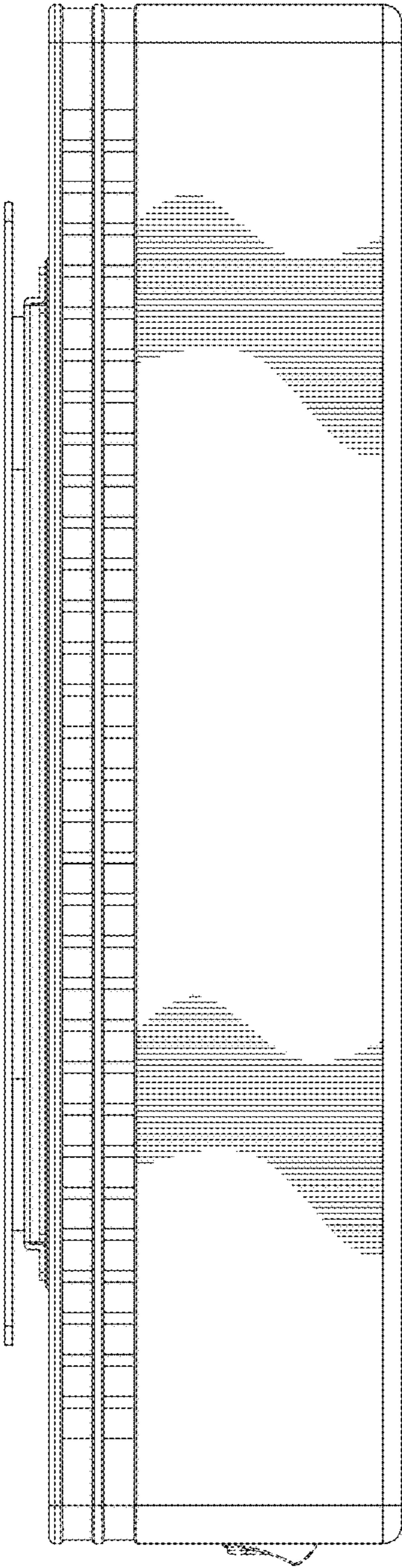


FIG. 8

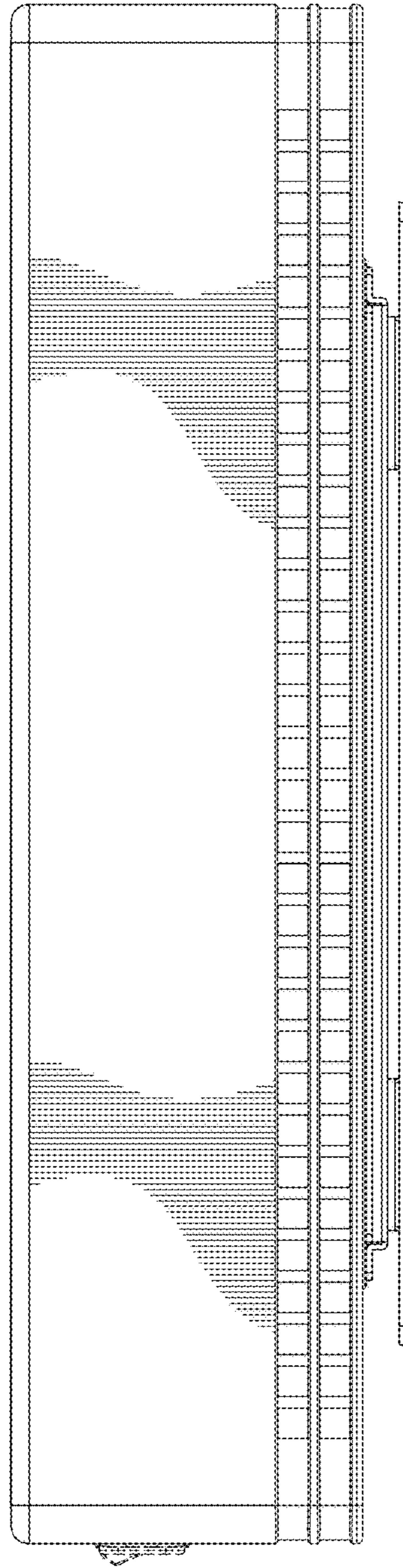
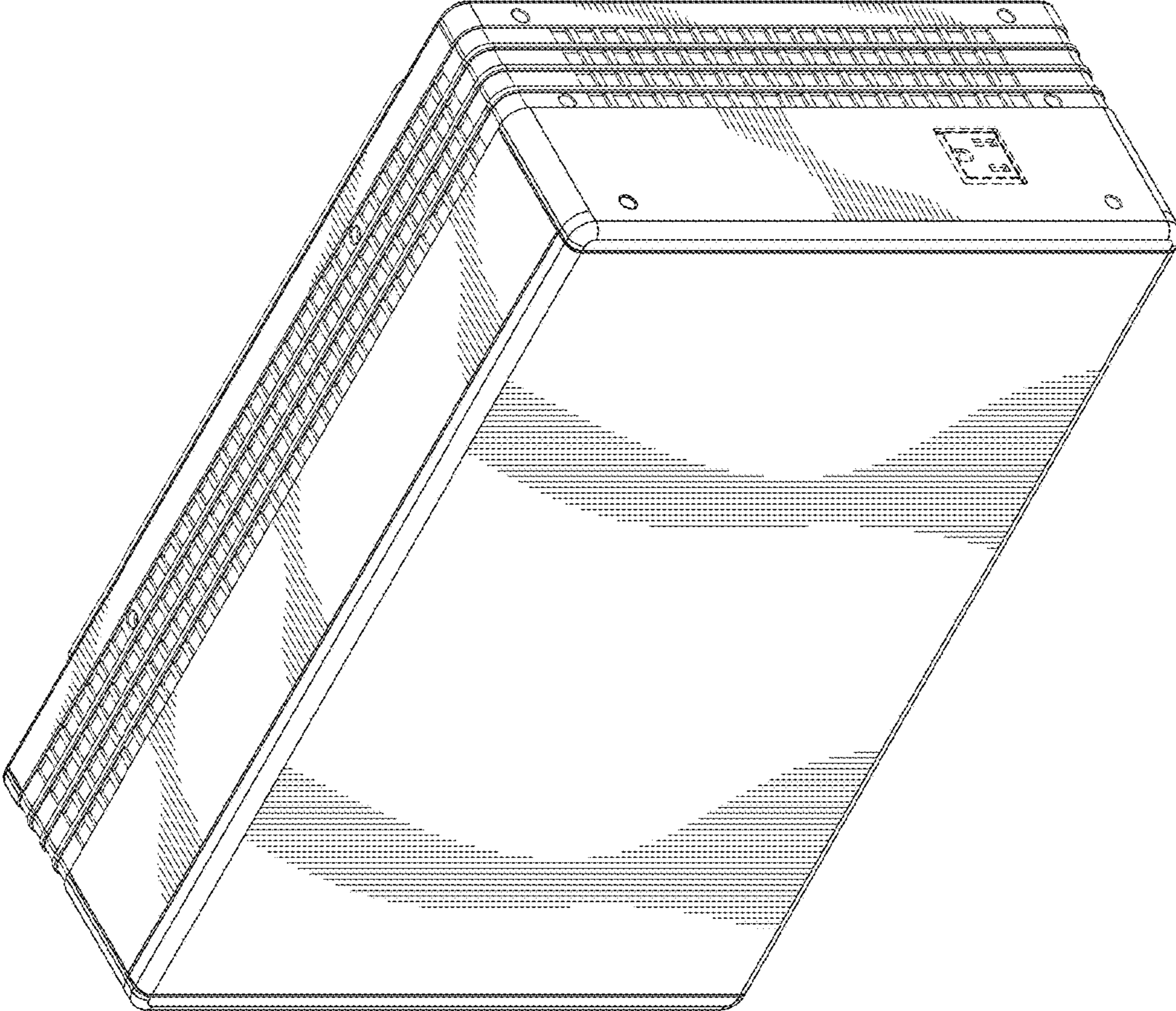


FIG. 9





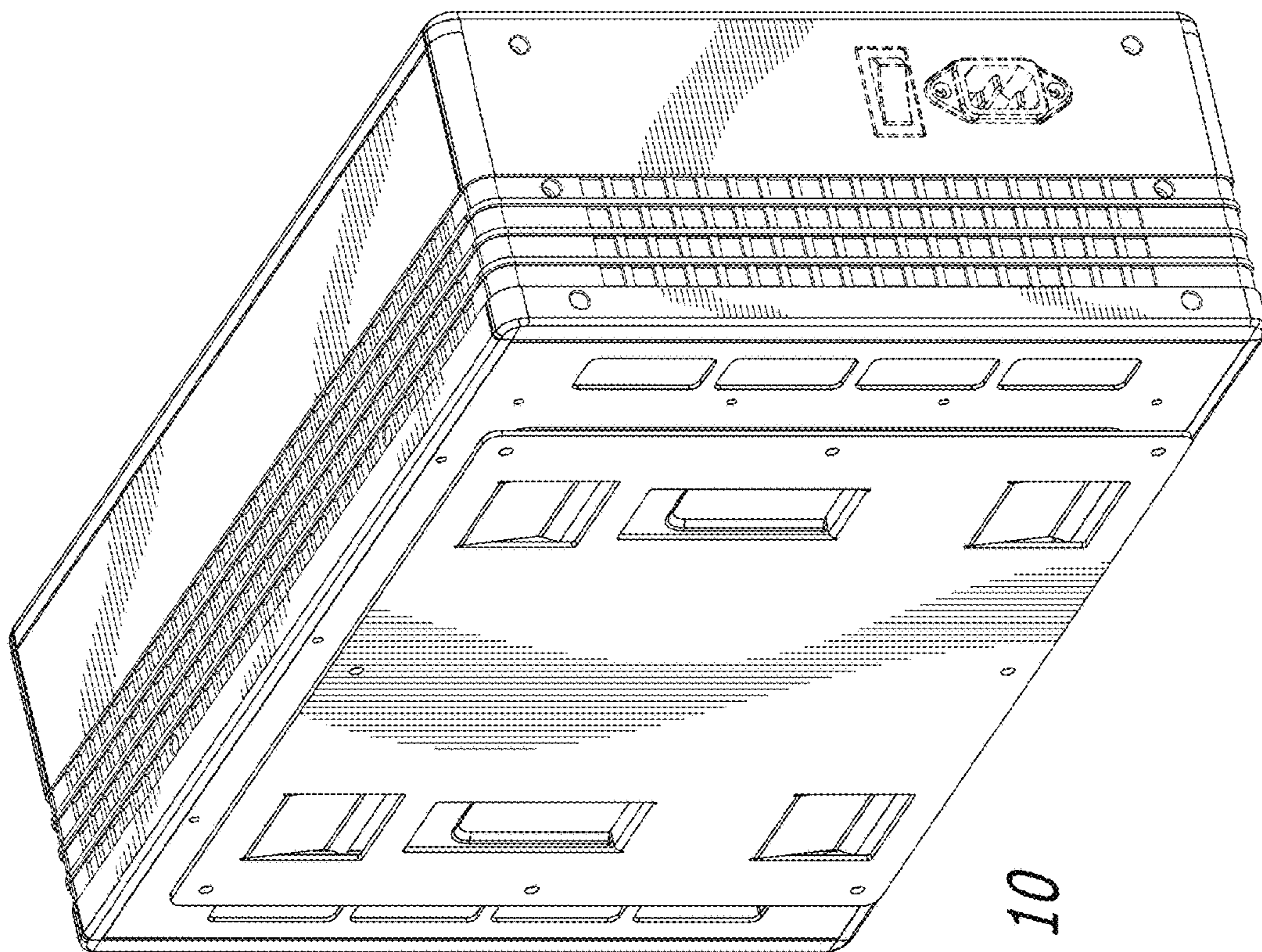
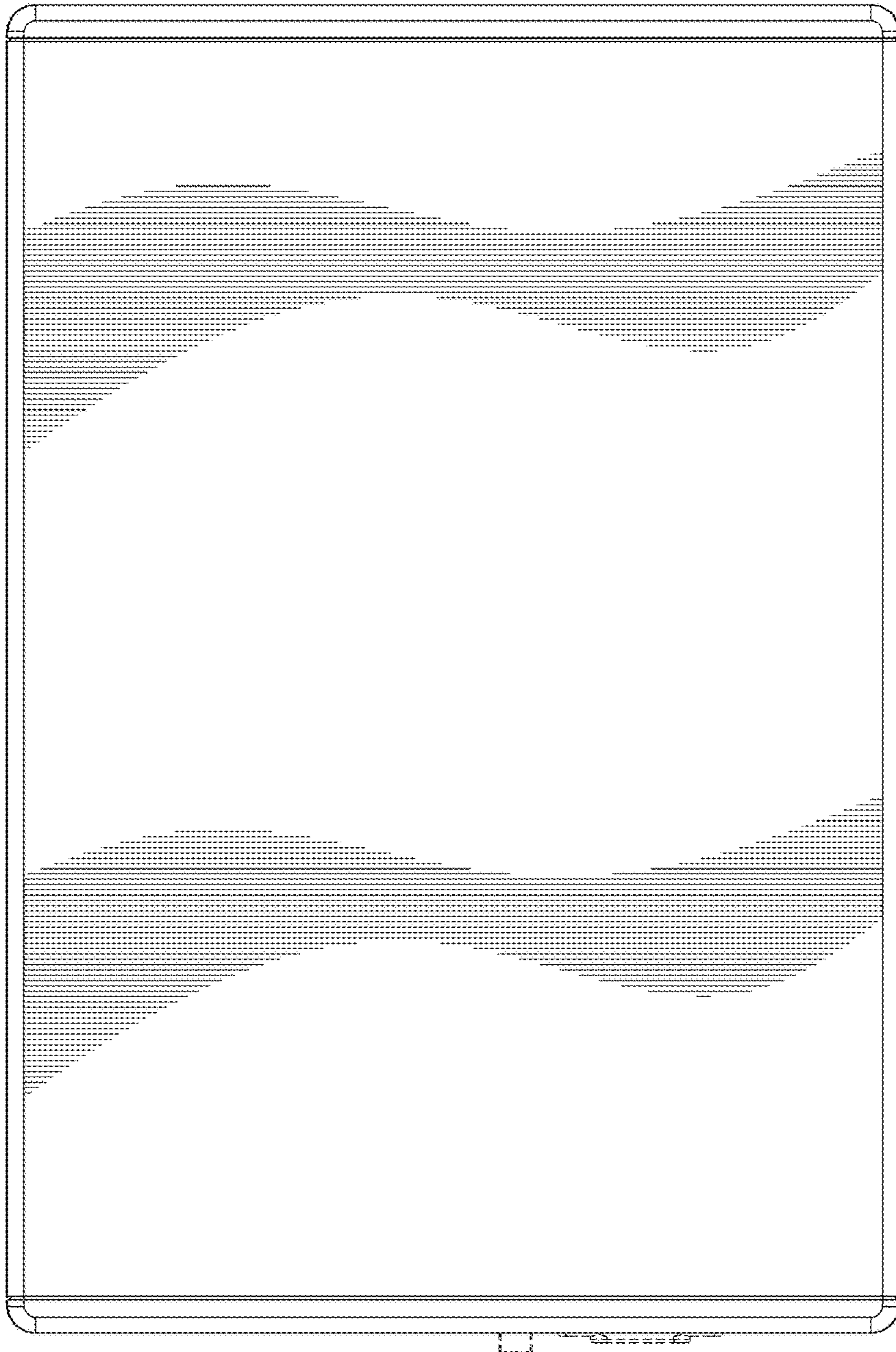


FIG. 10



*FIG. 11*

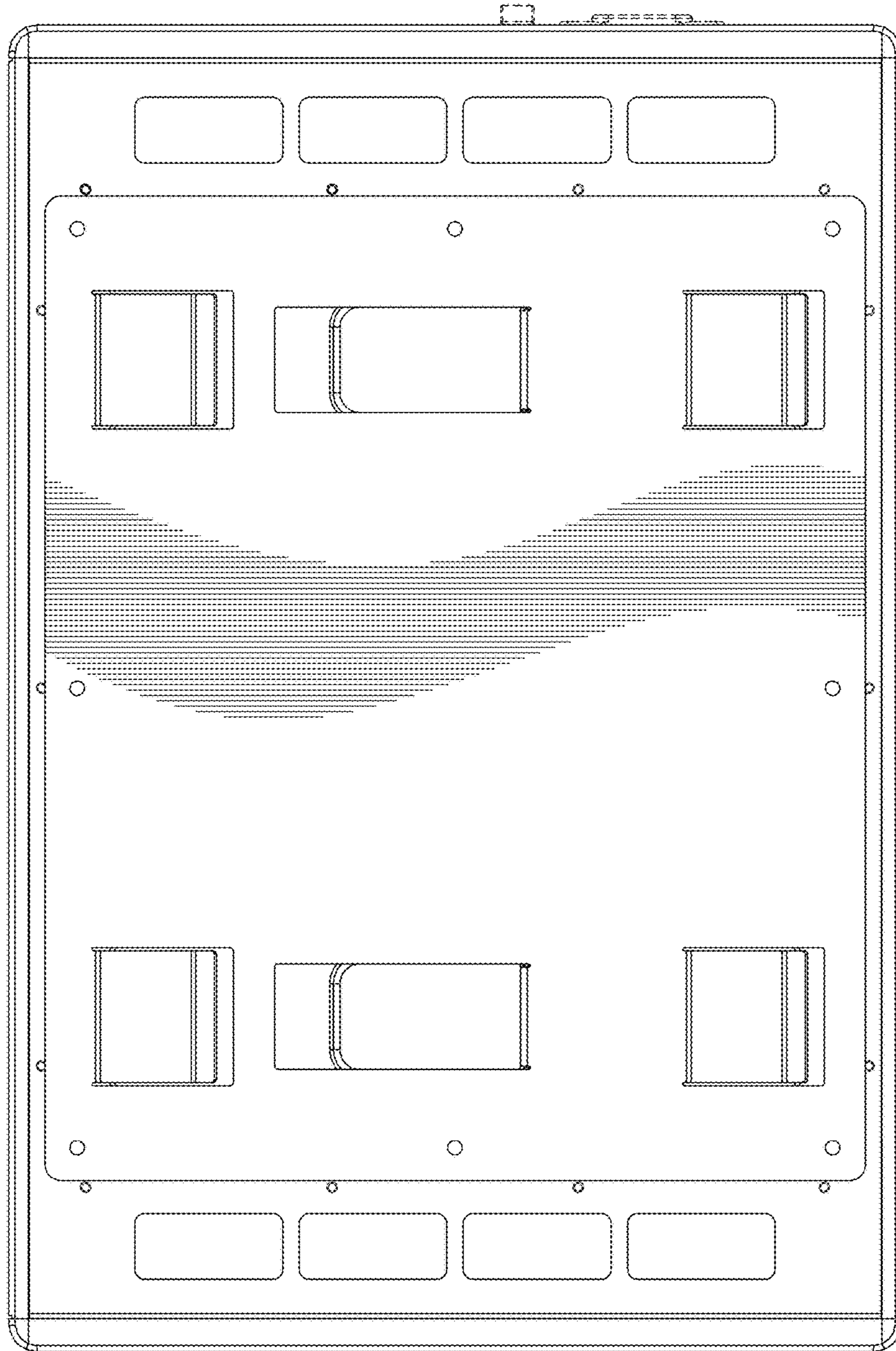


FIG. 12



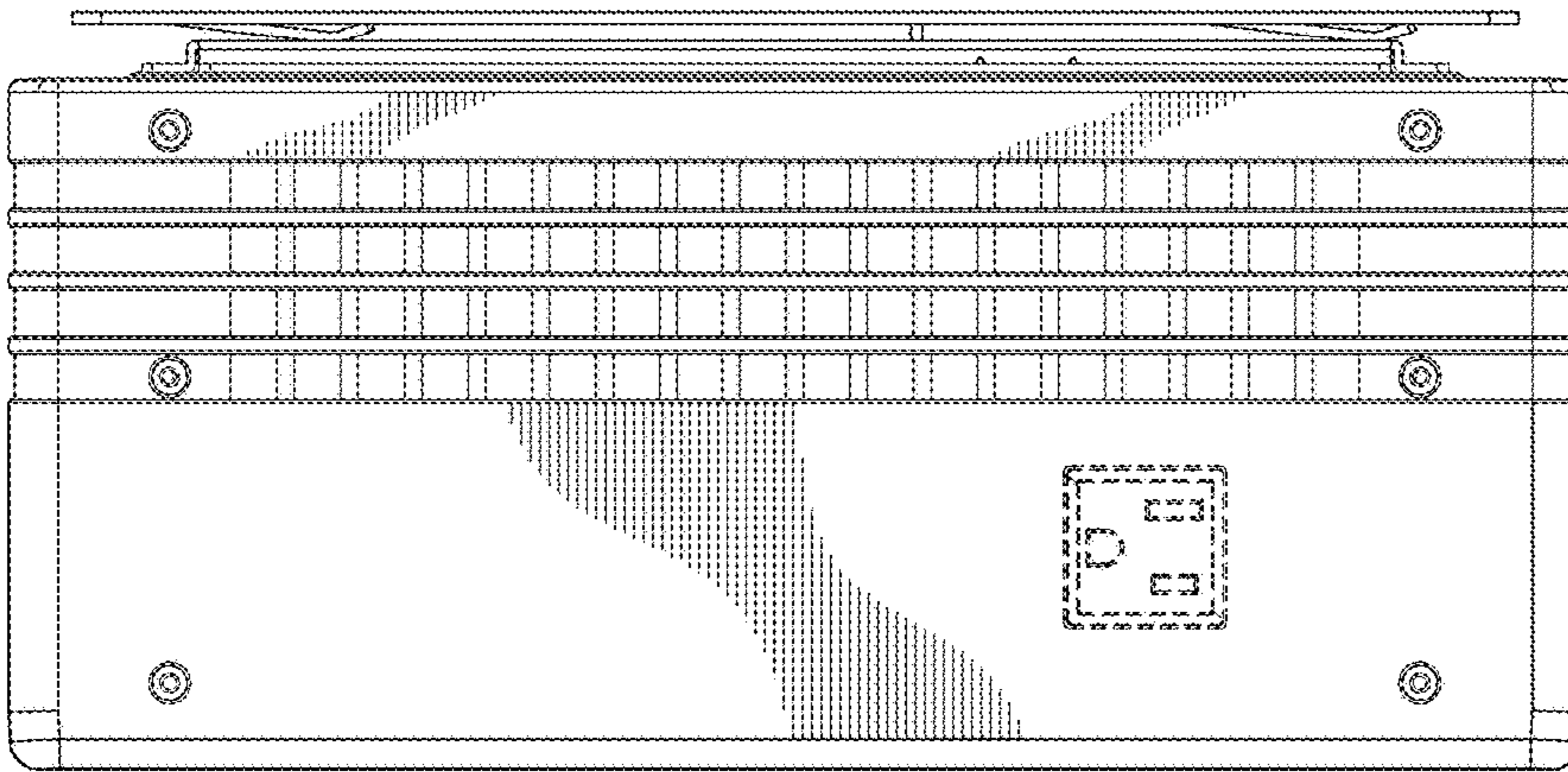


FIG. 14

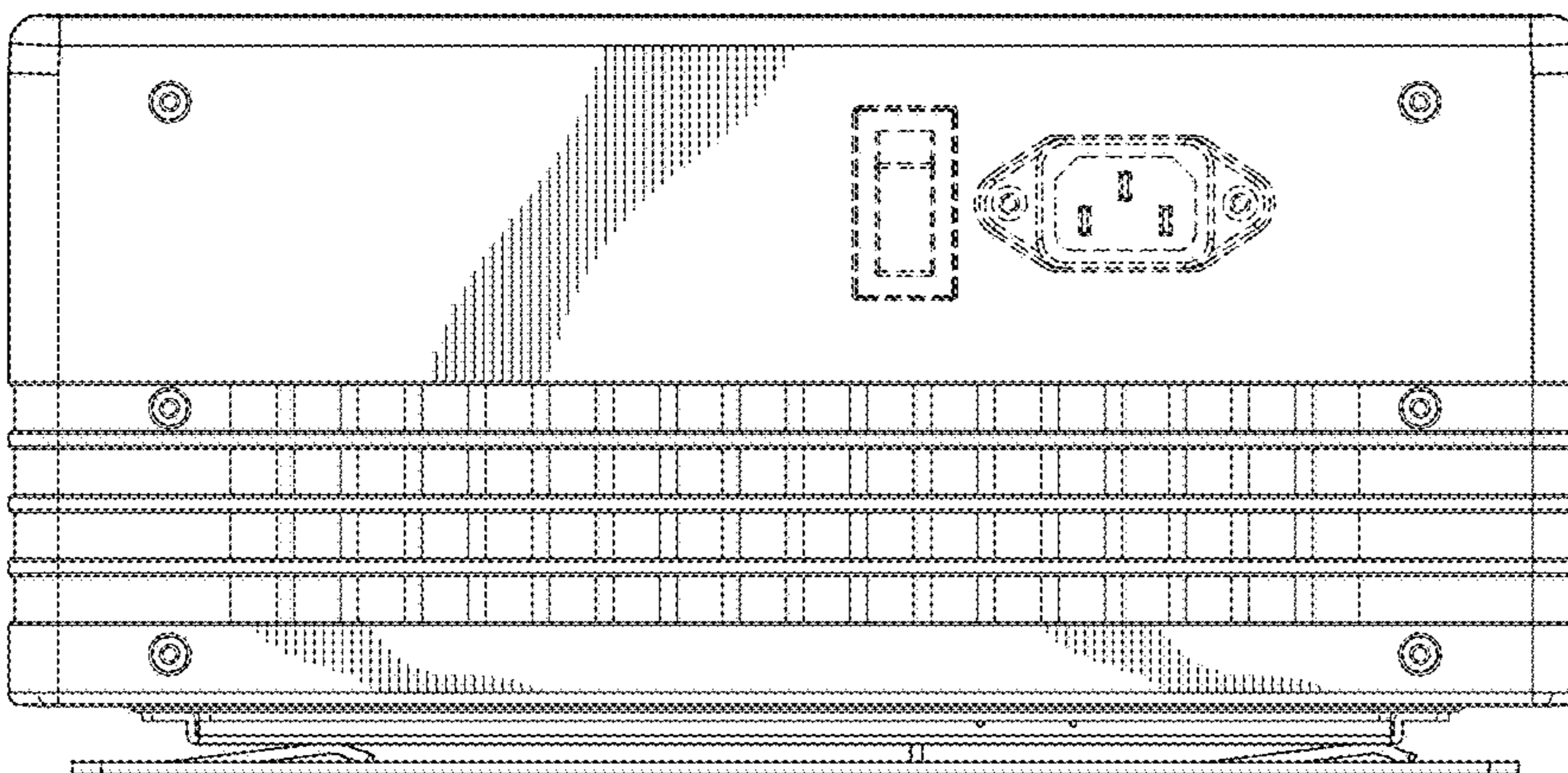


FIG. 13

FIG. 15

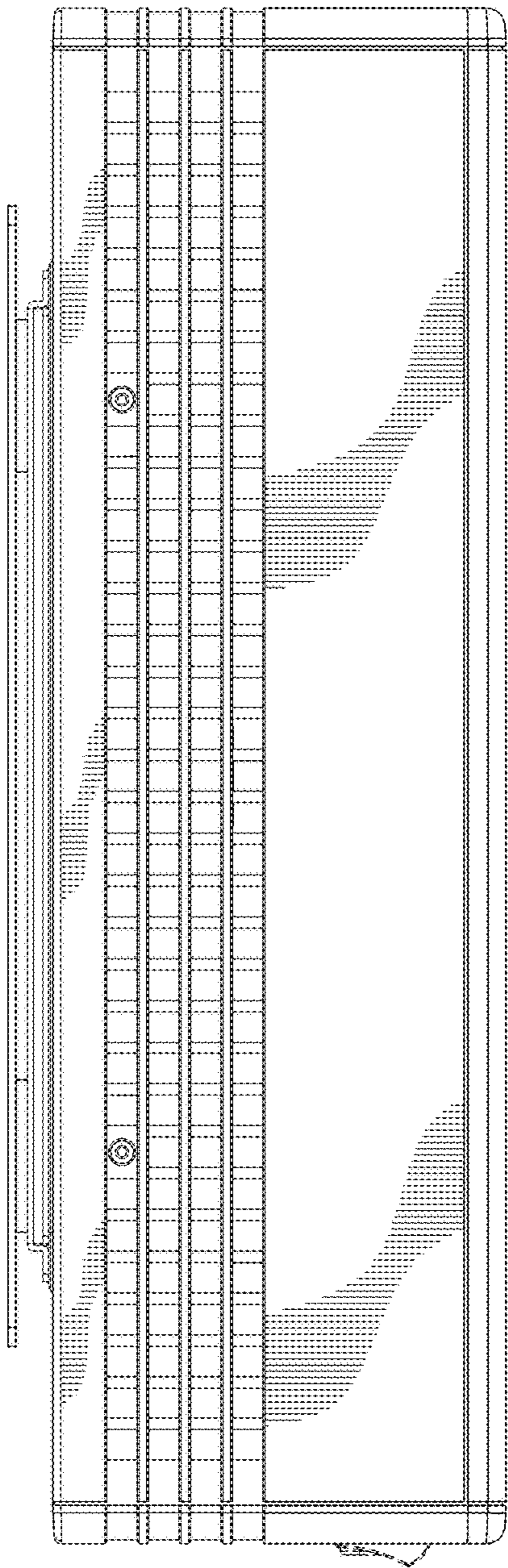


FIG. 16

