



US00D796435S

(12) **United States Design Patent** (10) **Patent No.:** **US D796,435 S**
Cho (45) **Date of Patent:** **** Sep. 5, 2017**

(54) **CHARGING HUB**
(71) Applicant: **Superior Communications, Inc.**,
Irwindale, CA (US)
(72) Inventor: **Adamu Cho**, Irwindale, CA (US)
(73) Assignee: **Superior Communications, Inc.**,
Irwindale, CA (US)
(**) Term: **15 Years**
(21) Appl. No.: **29/567,023**
(22) Filed: **Jun. 3, 2016**
(51) **LOC (10) Cl.** **13-02**
(52) **U.S. Cl.**
USPC **D13/108**
(58) **Field of Classification Search**
USPC D13/107-110, 118, 119, 184; D14/251,
D14/253, 432, 434
CPC Y02E 60/12; Y02T 90/14; Y02T 90/122;
Y02T 90/128; Y02T 90/163; H02J 7/025;
H02J 7/0042; H02J 7/0044; H02J 7/0045;
H02J 7/0003; H01F 38/14; H01R
13/6675; H01M 2/1022; H01M 2/1055;
H01M 10/44; H01M 10/46; H01M
10/425; B60L 11/182
See application file for complete search history.

(56) **References Cited**
U.S. PATENT DOCUMENTS
D415,131 S * 10/1999 Chang D14/433
D436,129 S * 1/2001 Fujihara D19/67
7,329,152 B2 * 2/2008 Mori G06F 3/0227
438/928

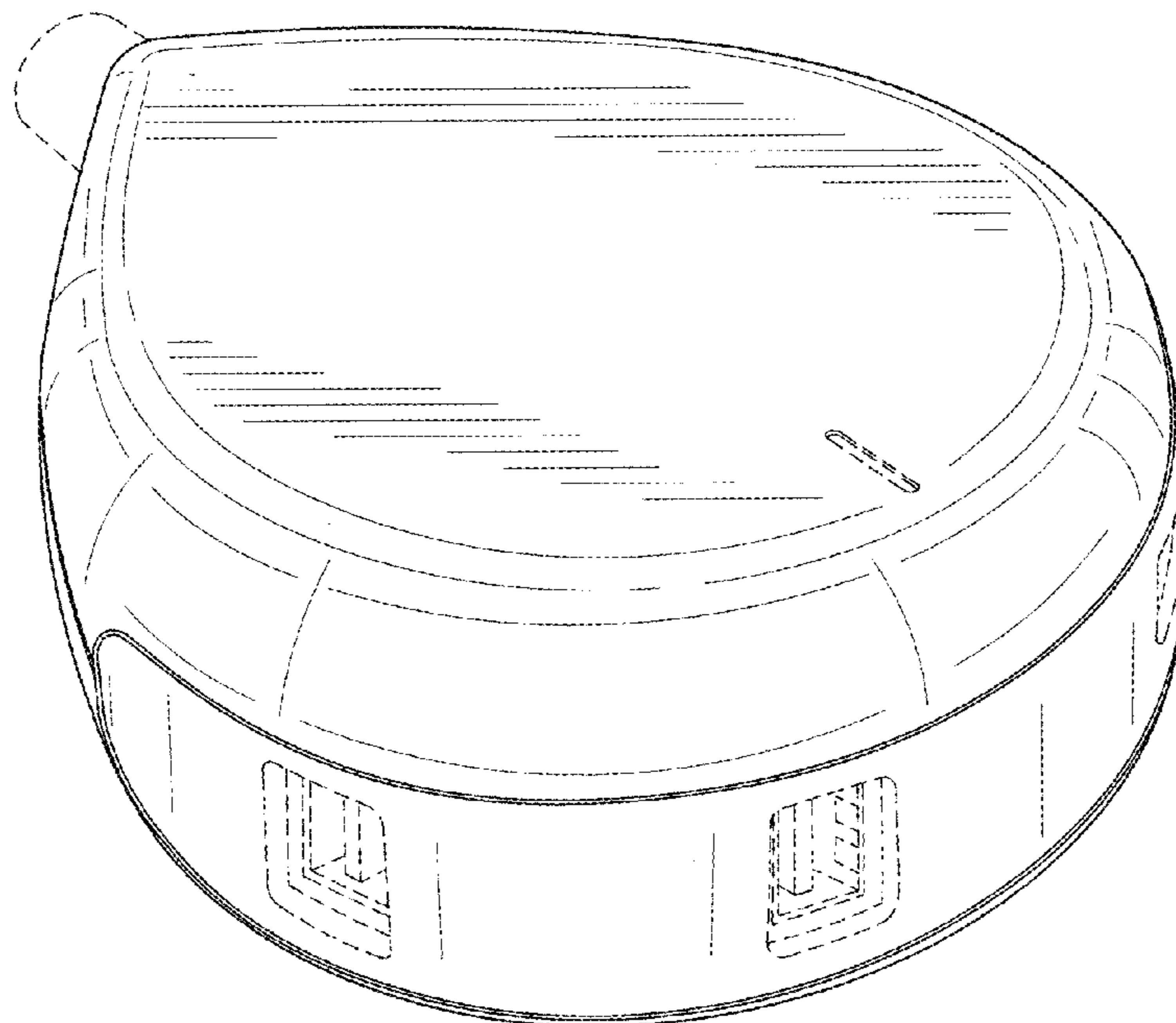
D571,404 S * 6/2008 Tullney D19/69
D647,139 S * 10/2011 Quah D19/69
D678,285 S * 3/2013 Chen D14/433
D685,029 S * 6/2013 Cooper D19/69
D691,140 S * 10/2013 Huang D14/433
D705,509 S * 5/2014 Liu D32/35
D759,605 S * 6/2016 Kimble D13/183
2003/0225954 A1 * 12/2003 Wu G06F 11/325
710/305
2016/0011885 A1 * 1/2016 Hsieh G06F 9/4413
710/304
2016/0276856 A1 * 9/2016 Miller H02J 7/0042
* cited by examiner

Primary Examiner — Rosemary K Tarcza
Assistant Examiner — Alison Ofstun
(74) *Attorney, Agent, or Firm* — Snell & Wilmer LLP

(57) **CLAIM**
The ornamental design for a charging hub, as shown and described.

DESCRIPTION
FIG. 1 is a front perspective view of a charging hub showing my new design;
FIG. 2 is a front view thereof;
FIG. 3 is a rear view thereof;
FIG. 4 is a right view thereof;
FIG. 5 is a left view thereof;
FIG. 6 is a top view thereof; and,
FIG. 7 is a bottom view thereof.
The broken lines shown in FIGS. 1 through 7 illustrate portions of the charging hub which form no part of the claimed design.

1 Claim, 5 Drawing Sheets



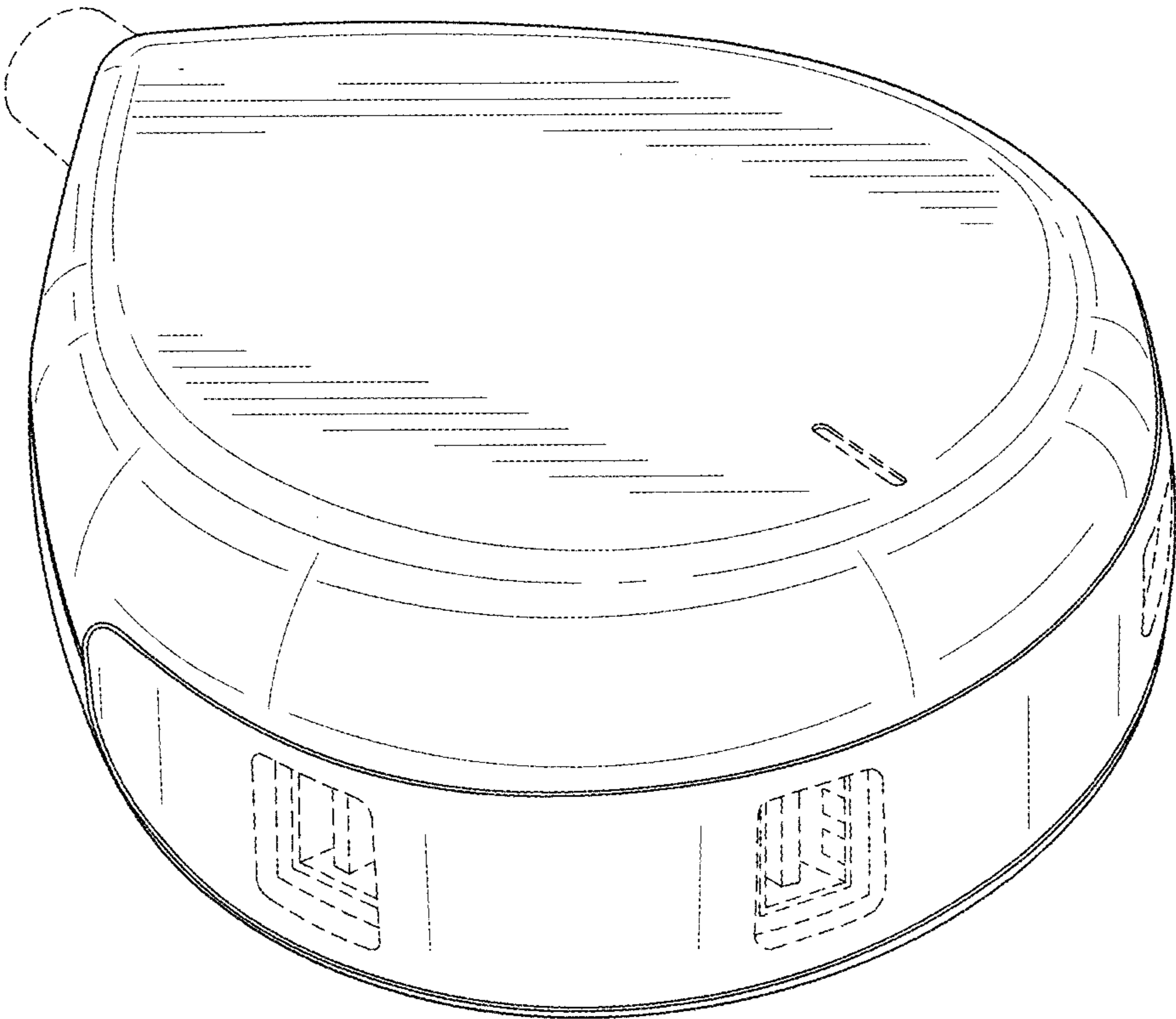


FIG. 1

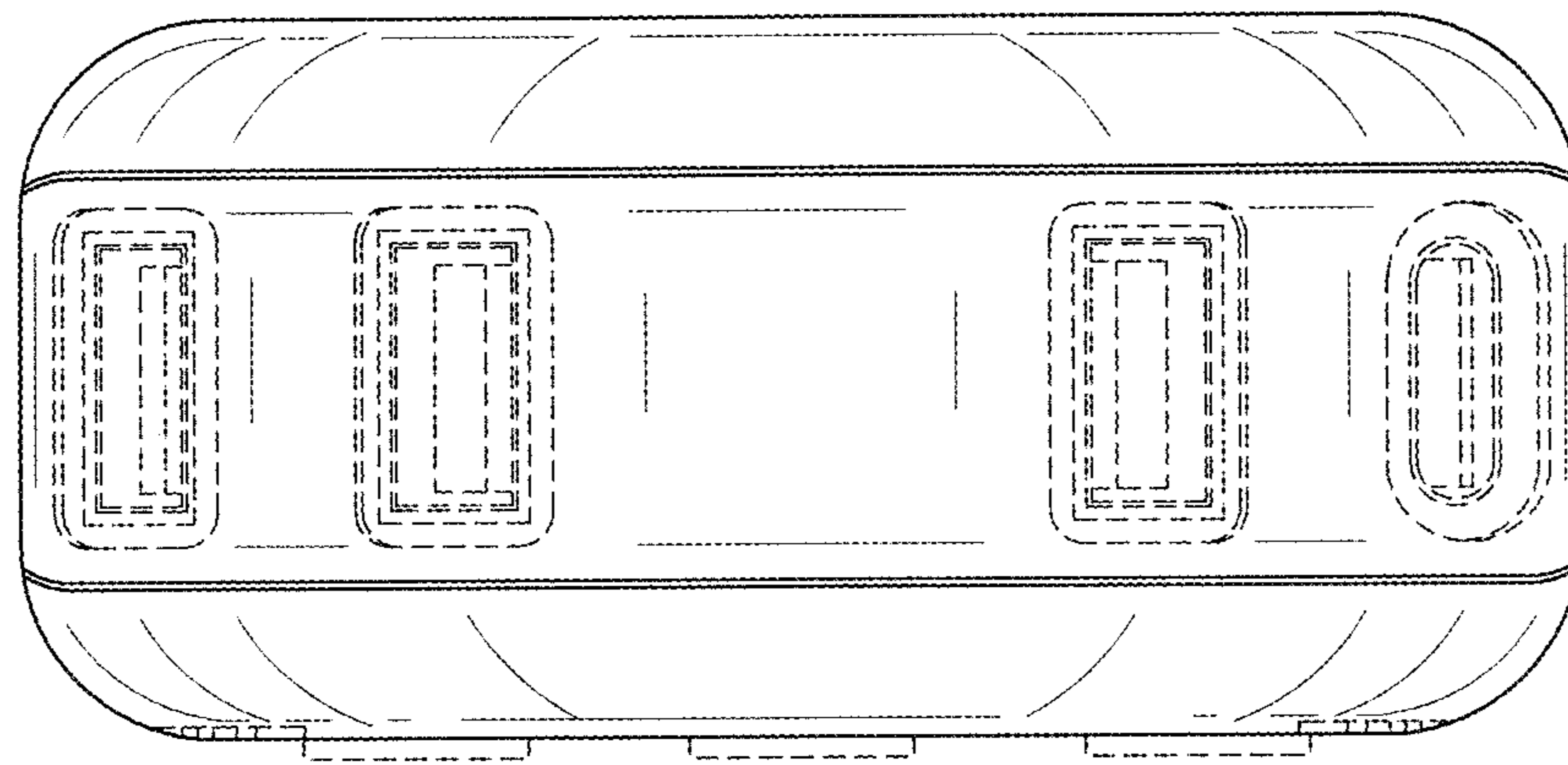


FIG. 2

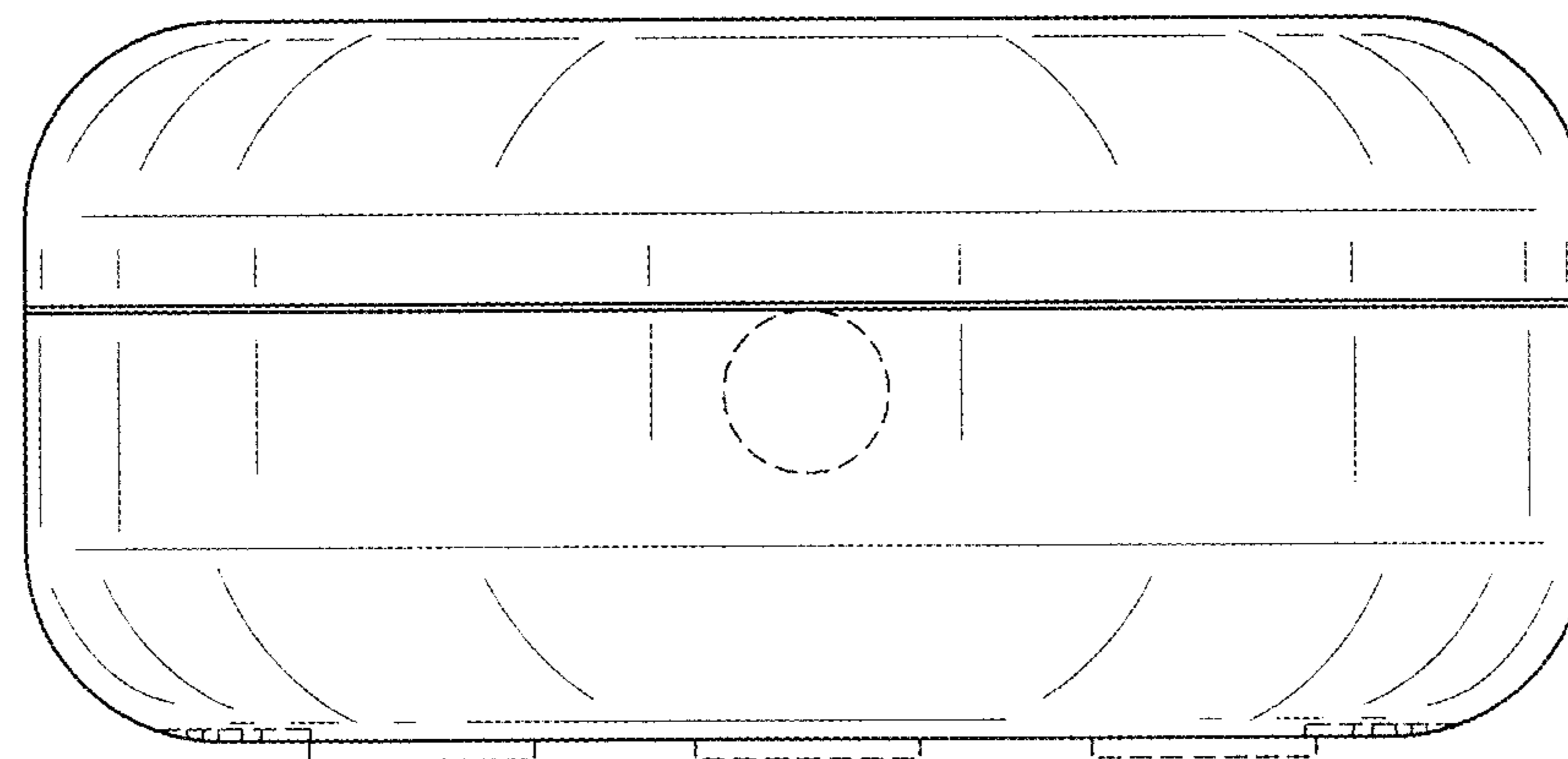


FIG. 3

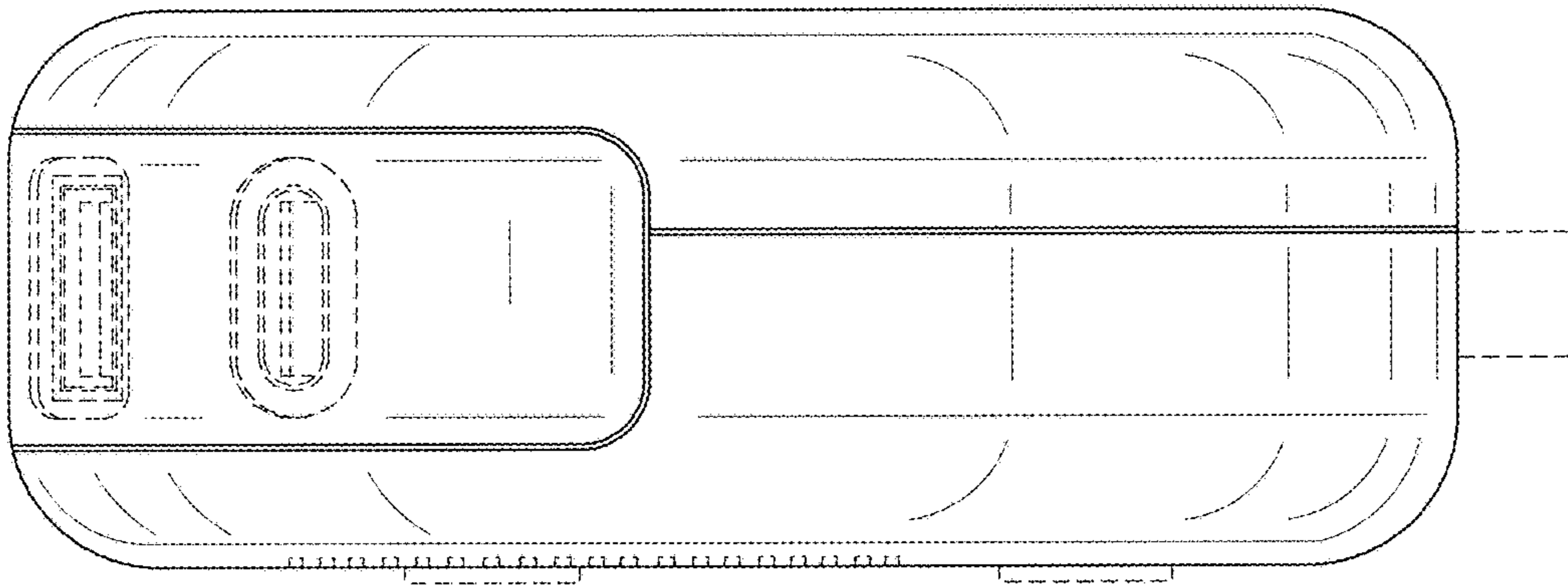


FIG. 4

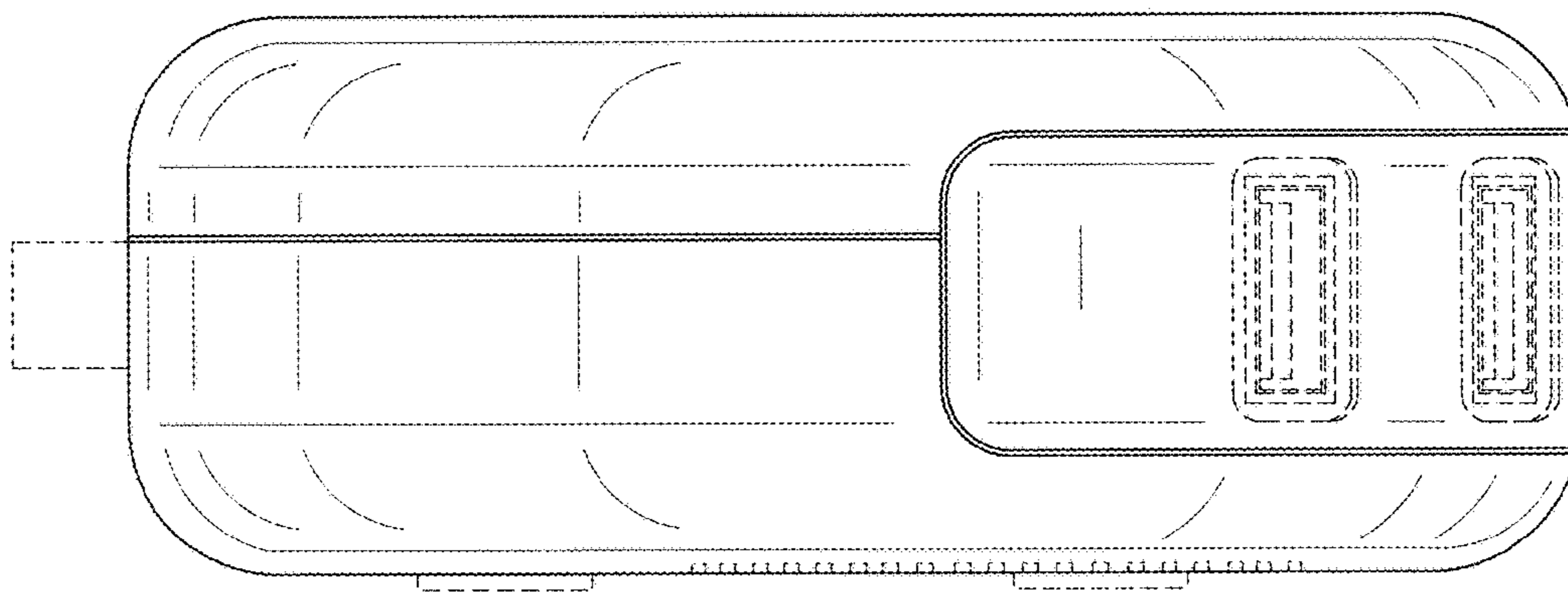


FIG. 5

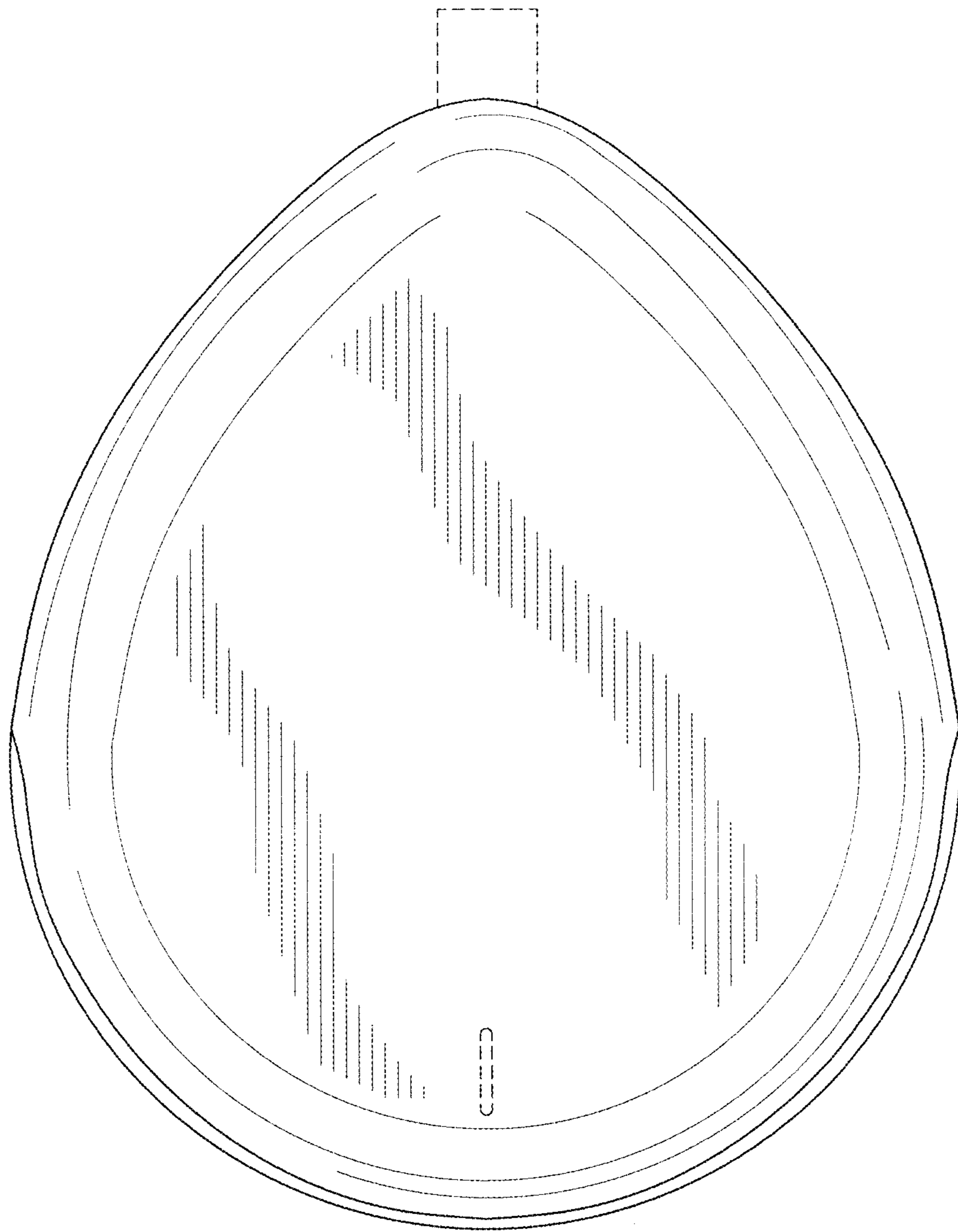


FIG. 6

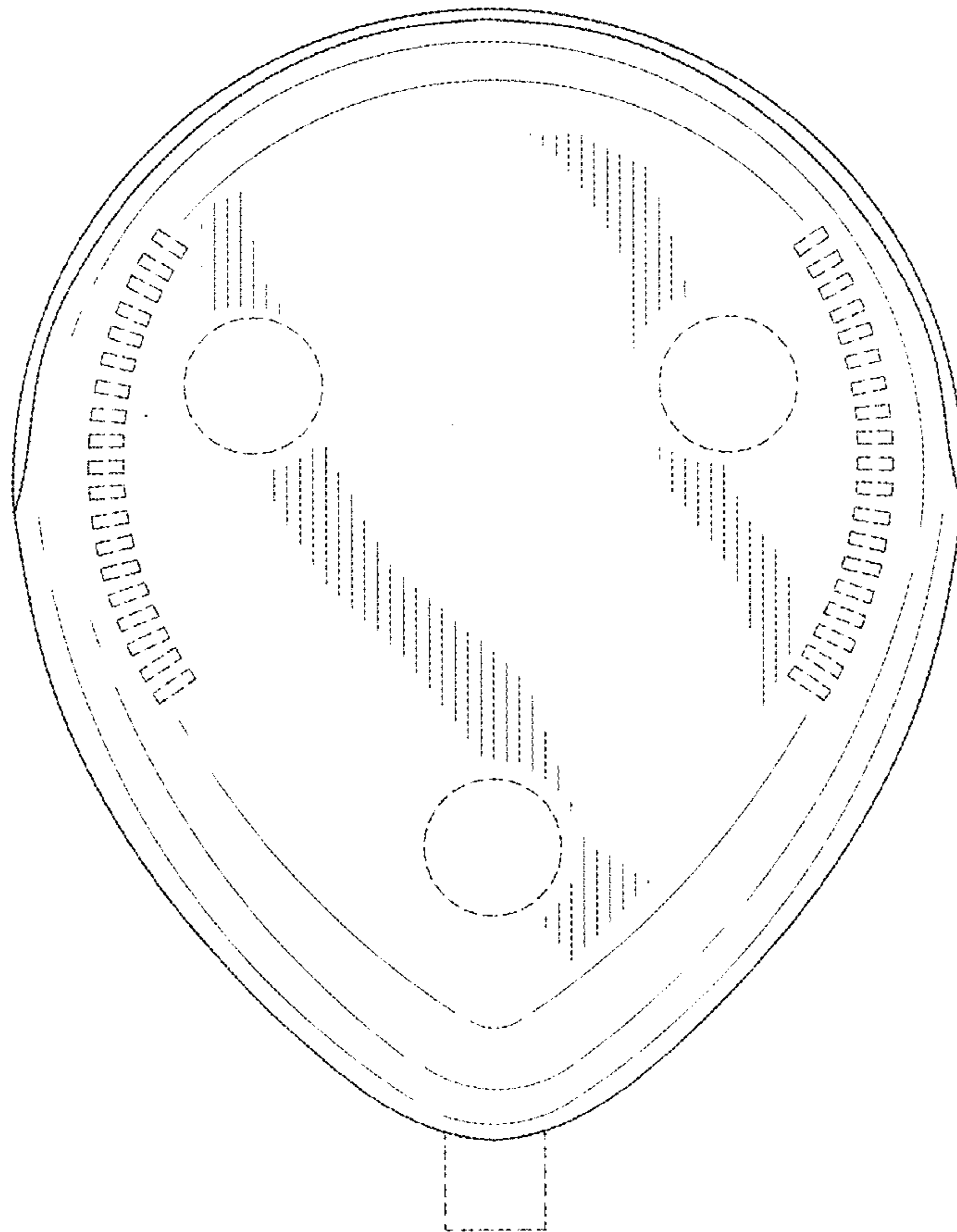


FIG. 7