



US00D796432S

(12) **United States Design Patent**
Liu et al.

(10) **Patent No.:** **US D796,432 S**
(45) **Date of Patent:** **** Sep. 5, 2017**

(54) **THREE-INTERFACE CHARGER**
(71) Applicant: **Tech-Power Electronics (Shenzhen) Co., Ltd.**, Shenzhen, Guangdong (CN)
(72) Inventors: **Jiehua Liu**, Guangdong (CN); **Ping Wang**, Guangdong (CN); **Yang Zhang**, Guangdong (CN); **Na Li**, Guangdong (CN)
(73) Assignee: **Tech-Power Electronics (Shenzhen) Co., Ltd.**, Shenzhen (CN)

(**) Term: **15 Years**

(21) Appl. No.: **29/536,052**

(22) Filed: **Aug. 13, 2015**

(51) **LOC (10) Cl.** **13-02**

(52) **U.S. Cl.**
USPC **D13/107**

(58) **Field of Classification Search**
USPC D13/102–110, 118–119, 184, 199;
D14/356, 432
CPC Y02E 60/10; Y02E 60/12; Y02E 60/122;
Y02E 60/124; Y02E 60/50; H01M 2/02;
H01M 2/022; H01M 2/0202; H01M
2/0207; H01M 2/0212; H01M 2/1061;
H01M 2/1022; H01M 2/1055; H01M
2/1066; H01M 2/105; H01M 2/20; H01M
2/204; H01M 2/206; H01M 10/44; H01M
10/46; H01M 10/465; H01M 10/482;
H01M 2200/30; H01M 2250/30; H01M
2250/40; H02J 7/00; H02J 7/0003; H02J
7/0011; H02J 7/0013; H02J 7/0054; H02J
7/0055; H02J 7/0057; H02J 2007/0062
See application file for complete search history.

(56) **References Cited**

U.S. PATENT DOCUMENTS

D623,136 S * 9/2010 Andre D13/108
D638,357 S * 5/2011 Sasada D13/110

D722,018 S * 2/2015 Wang D13/103
D730,823 S * 6/2015 Leung D13/108
D732,472 S * 6/2015 Laffon D13/110
D734,259 S * 7/2015 Cypress D13/110
D735,130 S * 7/2015 Huang D13/108
D736,153 S * 8/2015 Levy D13/108
D736,154 S * 8/2015 Levy D13/108
D740,749 S * 10/2015 Stewart D13/108
D756,915 S * 5/2016 Yang D13/108
D756,916 S * 5/2016 Yang D13/108
2015/0280479 A1* 10/2015 Levy H02J 7/0042
320/111

OTHER PUBLICATIONS

Anker 4-Port. Amazon.com. [Online].[Published Jul. 29, 2015].
[Accessed May 10, 2017].URL:<https://www.amazon.com/dp/B00VH8G1SY/ref=twister_B01414HRWE?_encoding=UTF8&psc=1>.*

(Continued)

Primary Examiner — Rosemary K Tarcza
Assistant Examiner — Nathaniel D Buckner

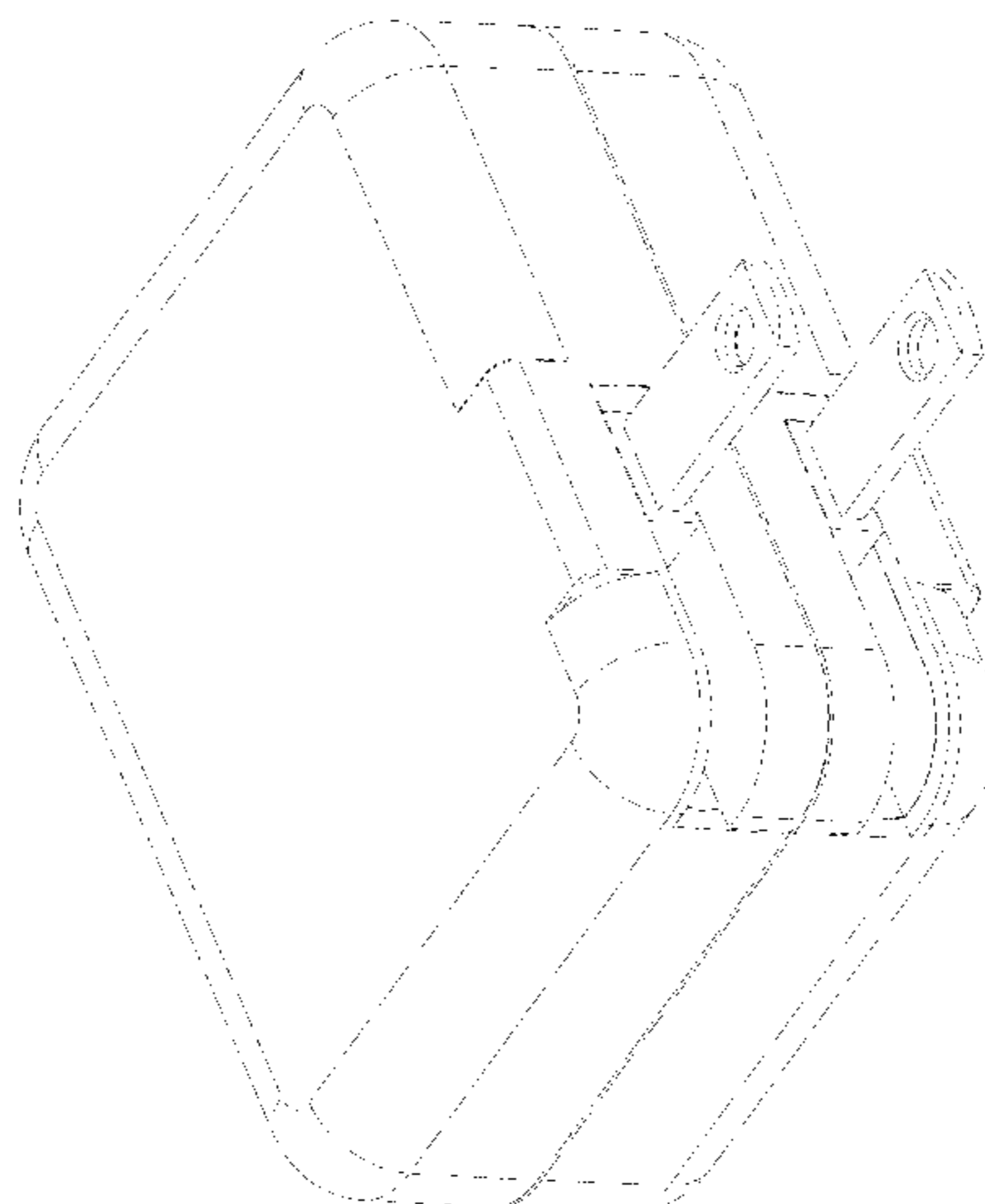
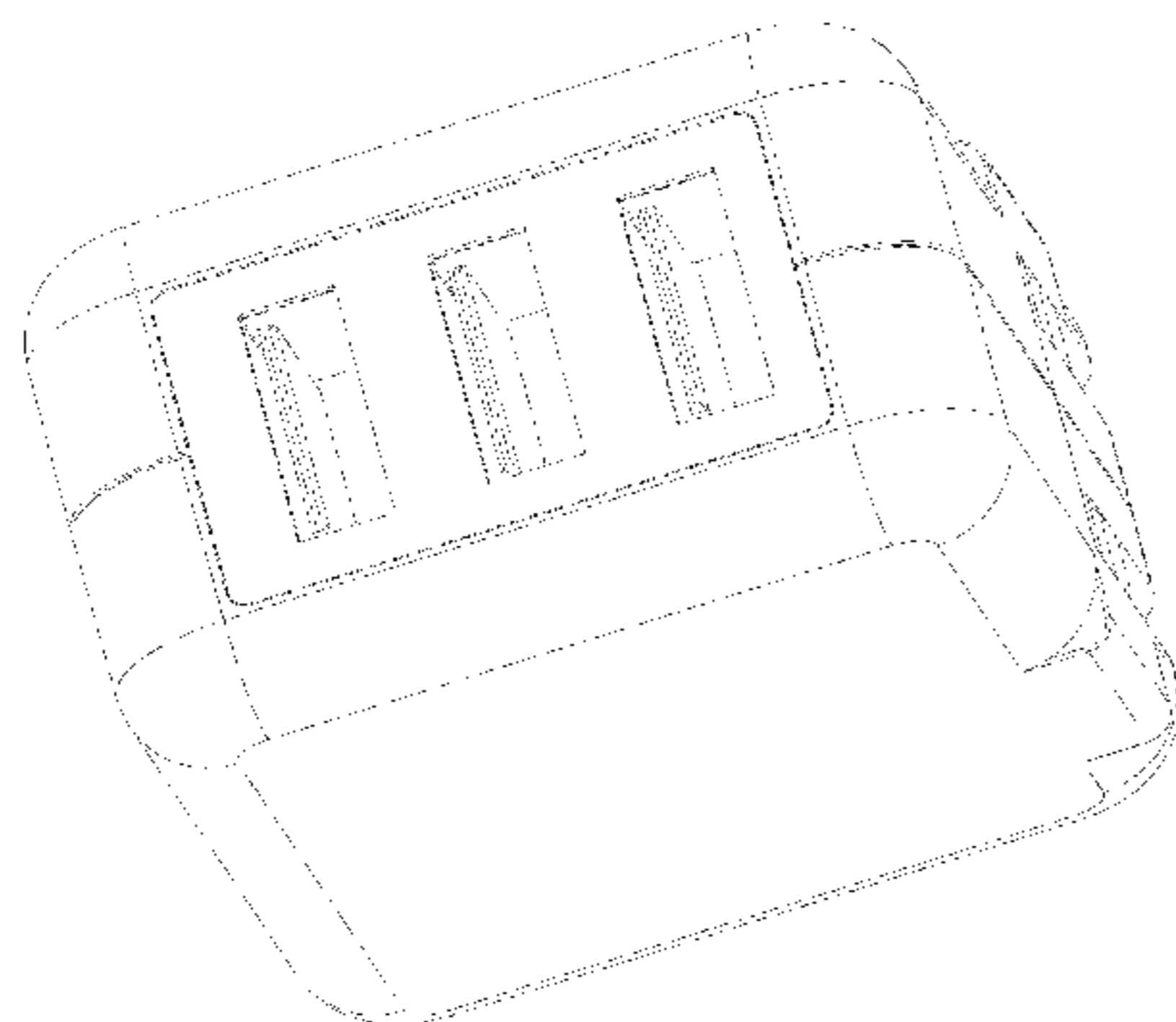
(57) **CLAIM**

The ornamental design for a three-interface charger, as shown and described.

DESCRIPTION

FIG. 1 is a front elevational view of a three-interface charger showing our new design;
FIG. 2 is a rear elevational view thereof;
FIG. 3 is a left side view thereof;
FIG. 4 is a right side view thereof;
FIG. 5 is a top plan view thereof;
FIG. 6 is a bottom plan view thereof;
FIG. 7 is a first perspective view thereof;
FIG. 8 is a second perspective view thereof; and,
FIG. 9 is a perspective view thereof; shown in a configuration of use.

1 Claim, 9 Drawing Sheets



(56)

References Cited

OTHER PUBLICATIONS

Ventev Dual USB. Tineye.Com. [Online]. [Published Mar. 31, 2015]. [Accessed May 10, 2017].URL:<https://tineye.com/search/85c98a024d7a9ad0422c4df554e8c1e84fa4742d/?extension_ver=chrome-1.1.5>.*

* cited by examiner

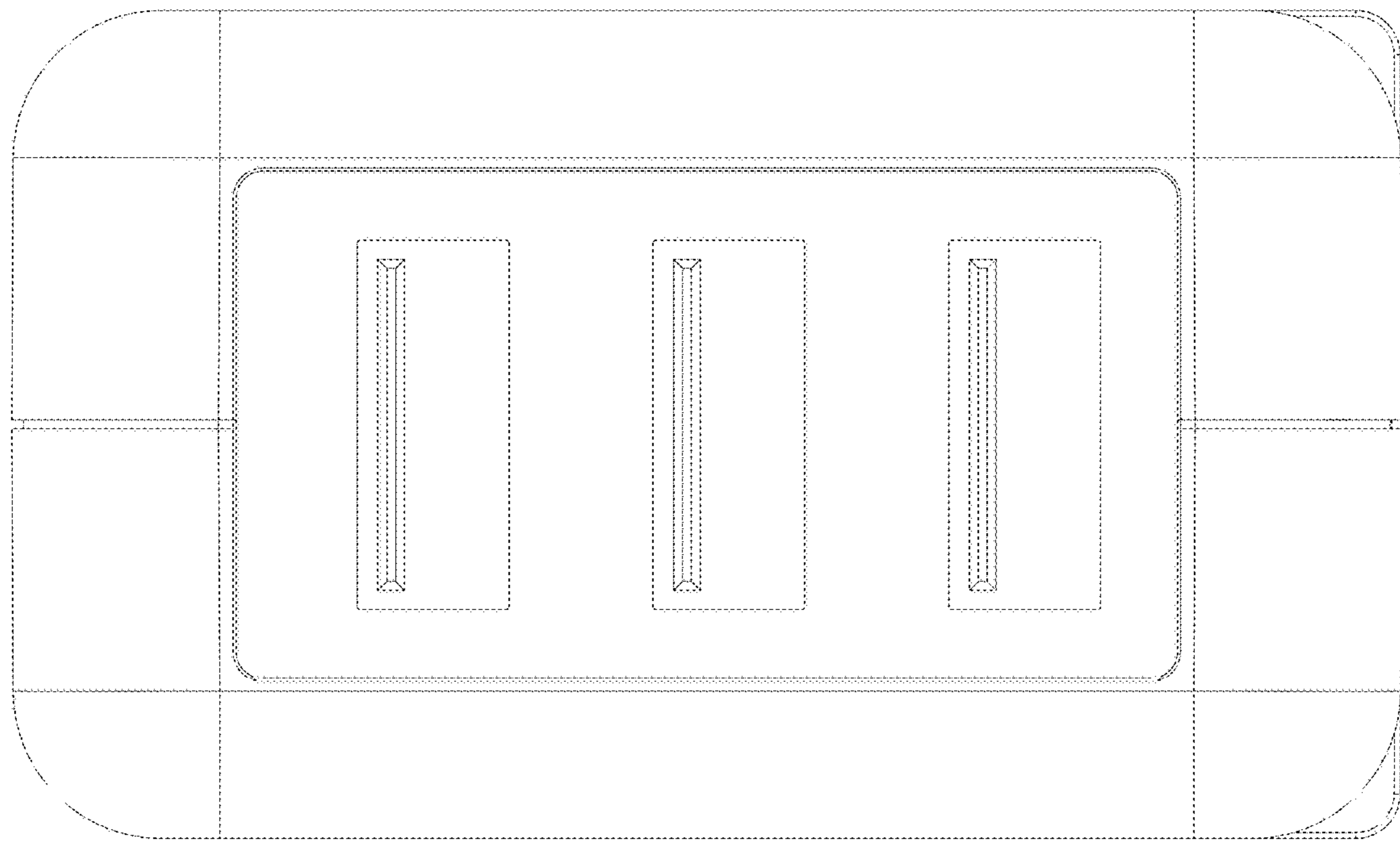


Fig. 1

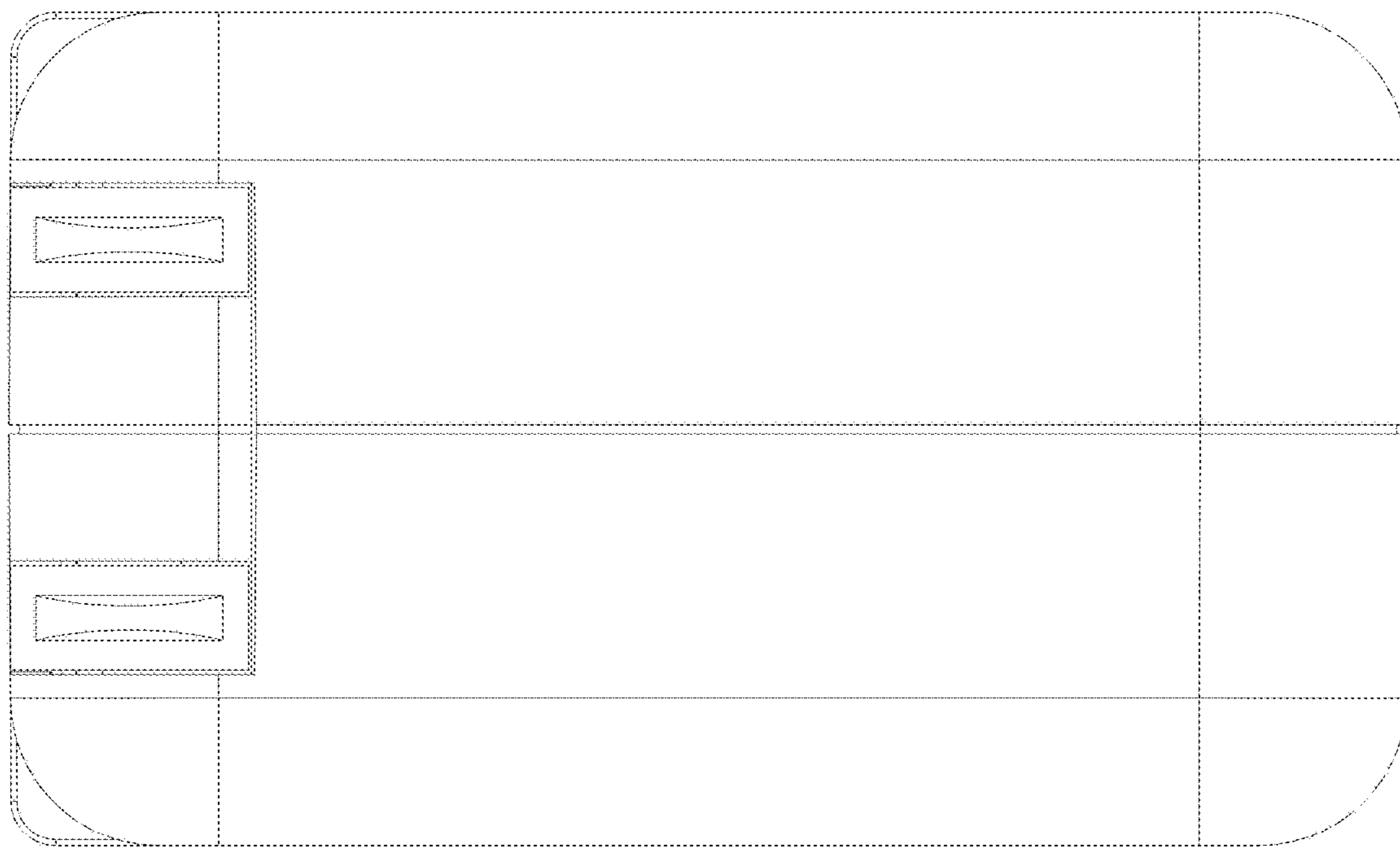


Fig. 2



Fig. 3

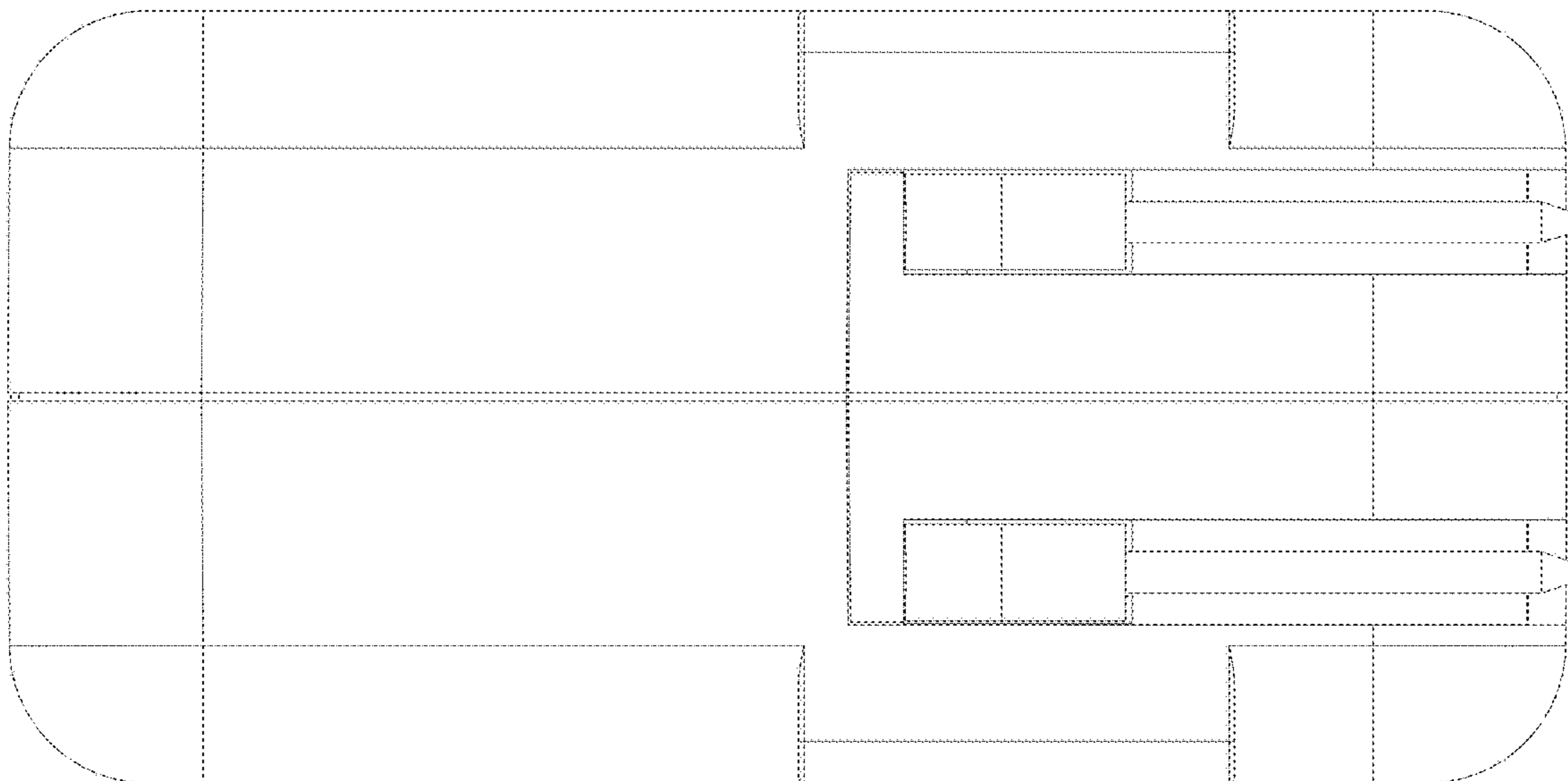


Fig. 4

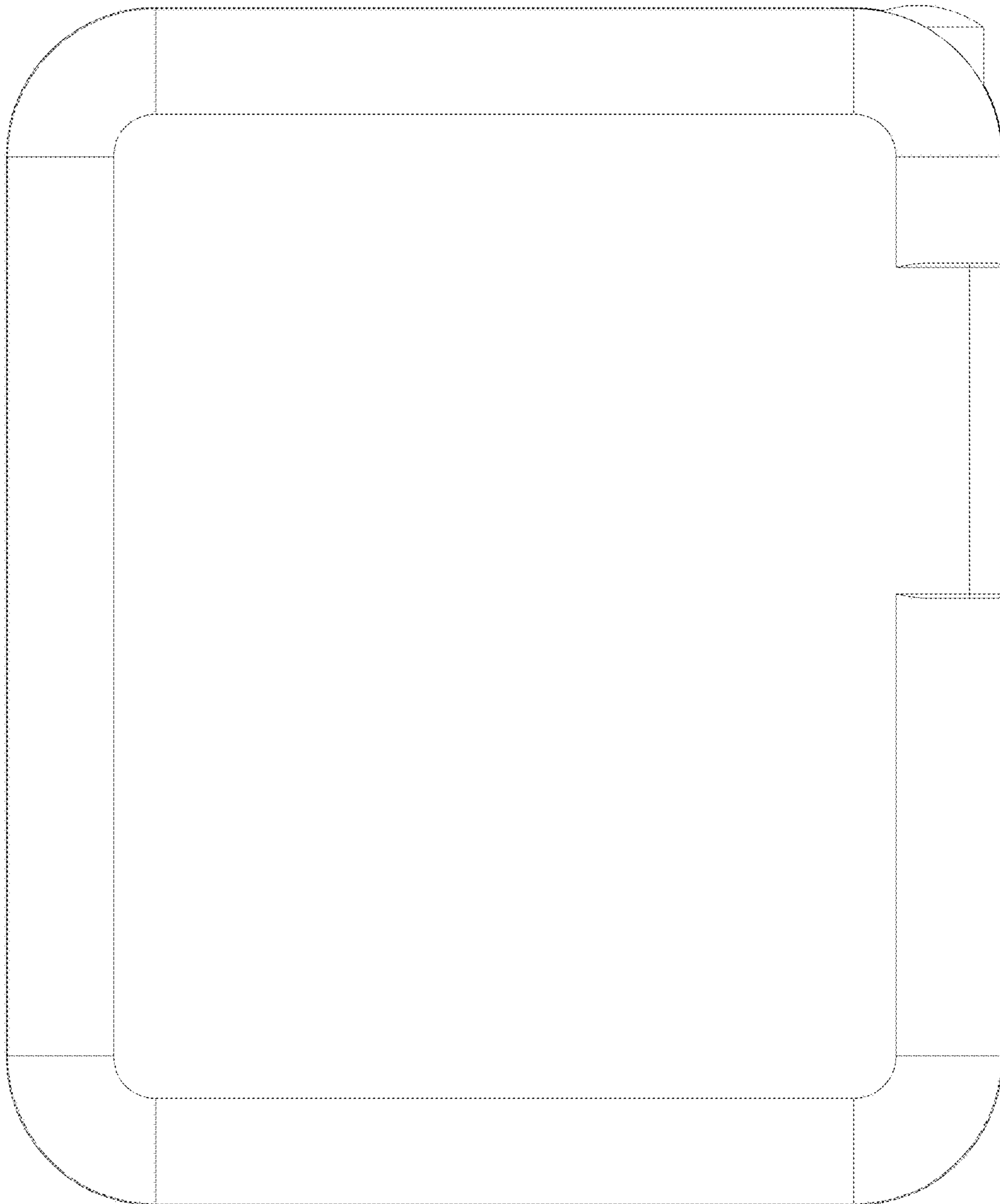


Fig. 5

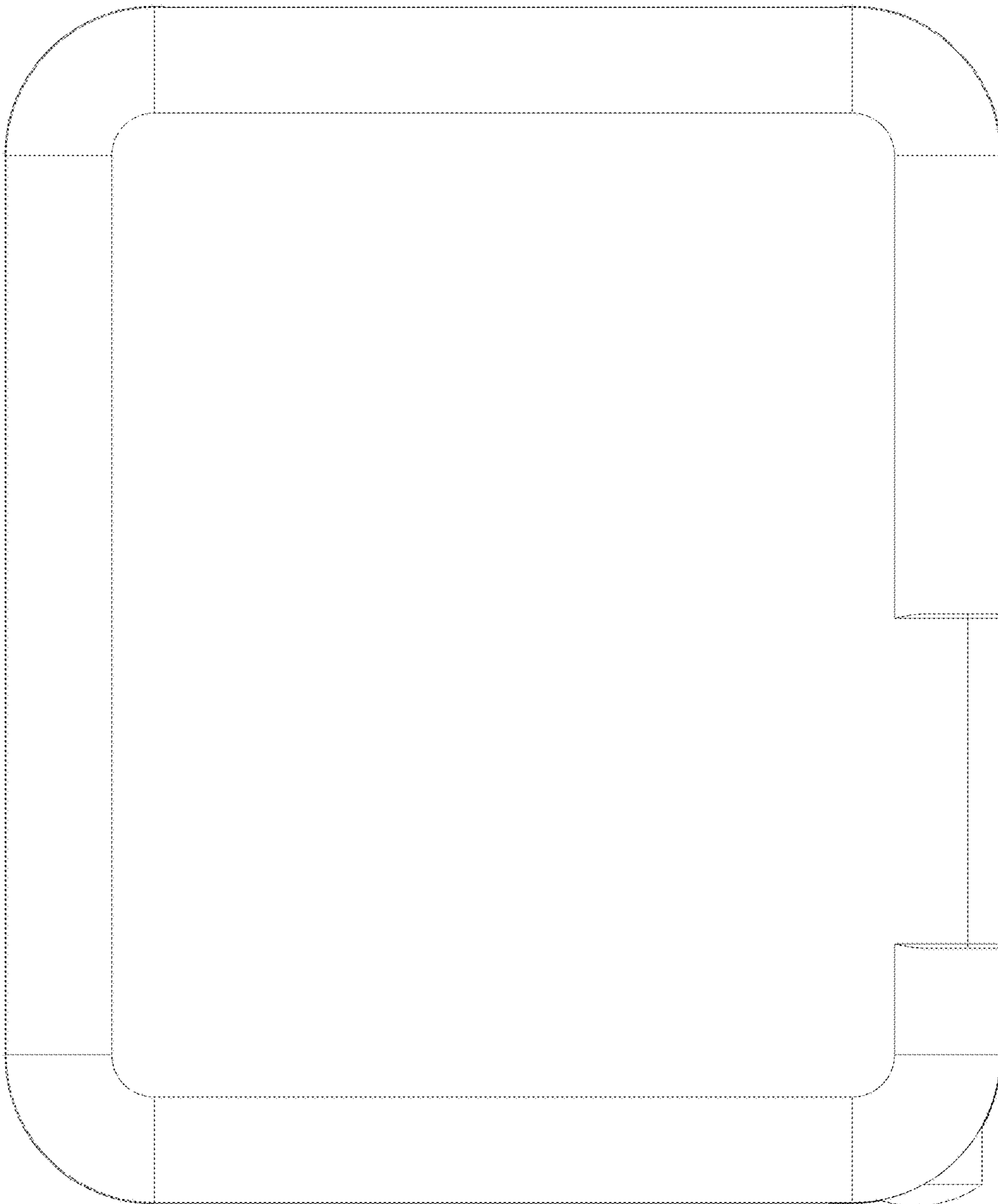


Fig. 6

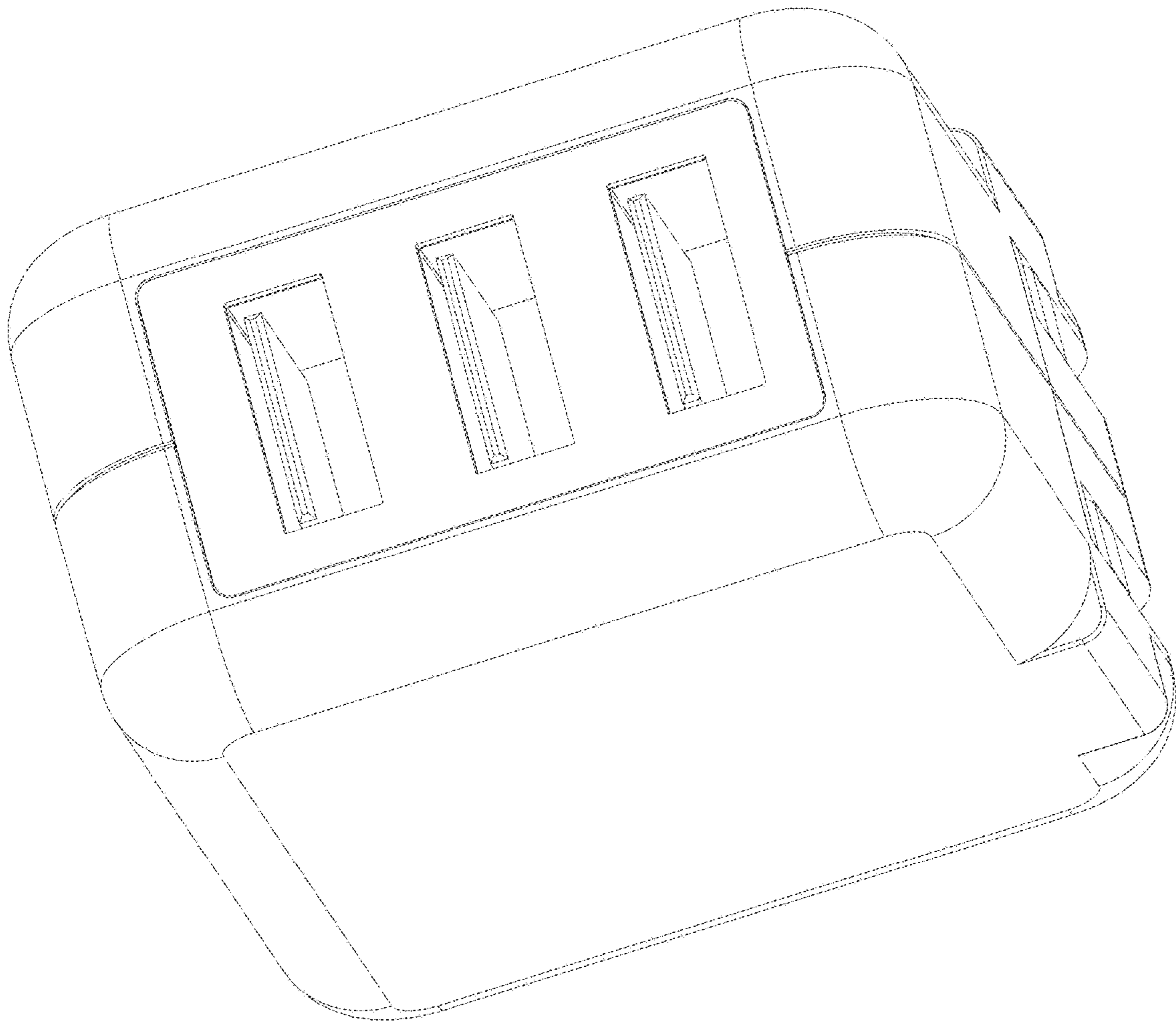


Fig. 7

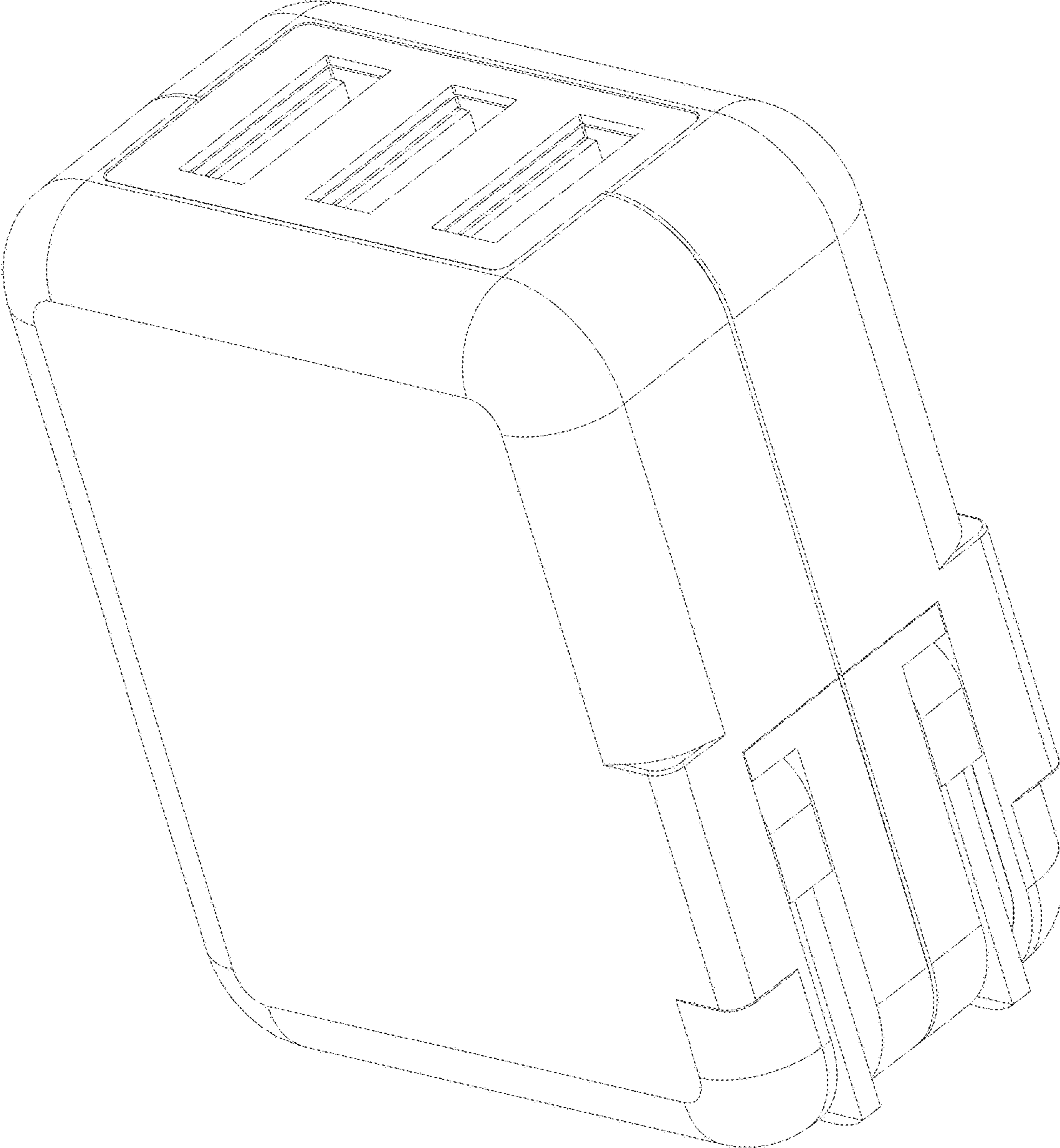


Fig. 8

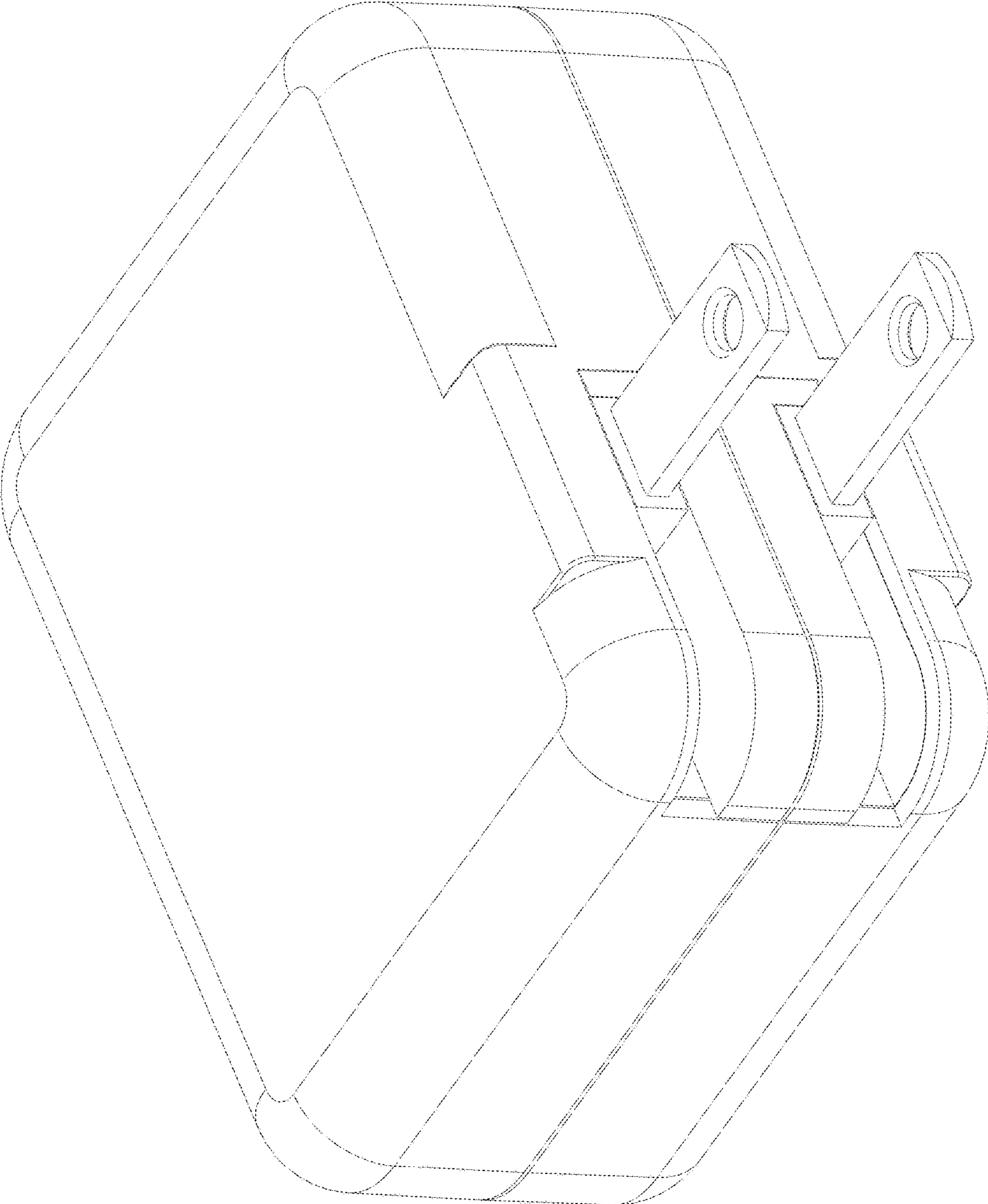


Fig. 9