



US00D796430S

(12) **United States Design Patent**
Gramm et al.

(10) **Patent No.:** **US D796,430 S**

(45) **Date of Patent:** **** *Sep. 5, 2017**

(54) **CLAIM SHELL DEVICE**

(71) Applicant: **Peppermint Energy, Inc.**, Sioux Falls, SD (US)

(72) Inventors: **Brian Gramm**, Sioux Falls, SD (US);
Daren Davoux, Sioux Falls, SD (US);
Tom Brzica, Sioux Falls, SD (US)

(*) Notice: This patent is subject to a terminal disclaimer.

(**) Term: **14 Years**

(21) Appl. No.: **29/453,205**

(22) Filed: **Apr. 26, 2013**

(51) **LOC (10) Cl.** **13-02**

(52) **U.S. Cl.**
USPC **D13/102**

(58) **Field of Classification Search**
USPC D13/102, 101, 103, 107, 108, 110, 184,
D13/199; D14/125, 126, 203.7, 203.8,
D14/440, 447; 136/206, 243, 244, 245,
136/252; 320/101, 102, 114, 115, 120;
361/679.01, 679.28; 307/43, 48
See application file for complete search history.

(56) **References Cited**

U.S. PATENT DOCUMENTS

4,537,838	A	8/1985	Jetter et al.	
5,522,943	A	6/1996	Spencer et al.	
D400,162	S *	10/1998	Lam	D13/107
5,855,692	A	1/1999	Kaji et al.	
6,041,242	A	3/2000	Coulthard	
6,173,835	B1	1/2001	Swinger et al.	
6,349,825	B1	2/2002	Swinger et al.	
6,476,311	B1 *	11/2002	Lee et al.	136/244
6,650,085	B2 *	11/2003	Lau et al.	320/101
D489,680	S *	5/2004	Stobart	D13/107
6,737,573	B2	5/2004	Yeh	
D493,768	S *	8/2004	Lam	D13/102

D510,316	S *	10/2005	Hayakawa	D13/102
D582,842	S *	12/2008	Wei	D13/102
7,948,208	B2	5/2011	Partovi et al.	
7,952,322	B2	5/2011	Partovi et al.	
8,008,887	B2	8/2011	Lee	
D650,736	S *	12/2011	Wharram	D13/102
D652,373	S *	1/2012	Sasada et al.	D13/102
2004/0207366	A1	10/2004	Sung	
2005/0016579	A1	1/2005	Elazari	
2005/0140331	A1	6/2005	McQuade	

(Continued)

FOREIGN PATENT DOCUMENTS

EP 2262093 12/2010

OTHER PUBLICATIONS

International Search Report and Written Opinion for PCT/US2013/038124 dated Aug. 15, 2013.

Primary Examiner — Derrick Holland

(74) *Attorney, Agent, or Firm* — Daniel A. Rosenberg; Briggs and Morgan, P.A.

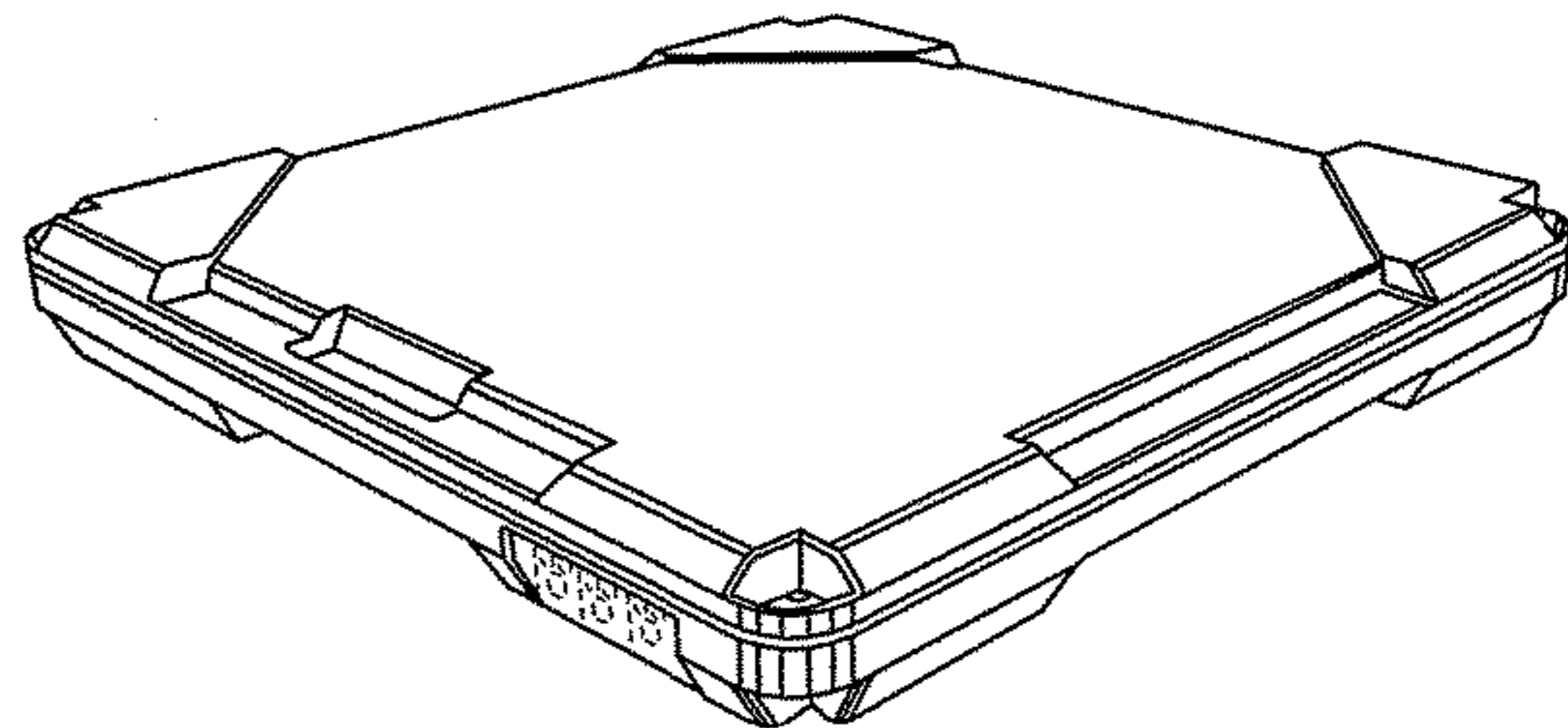
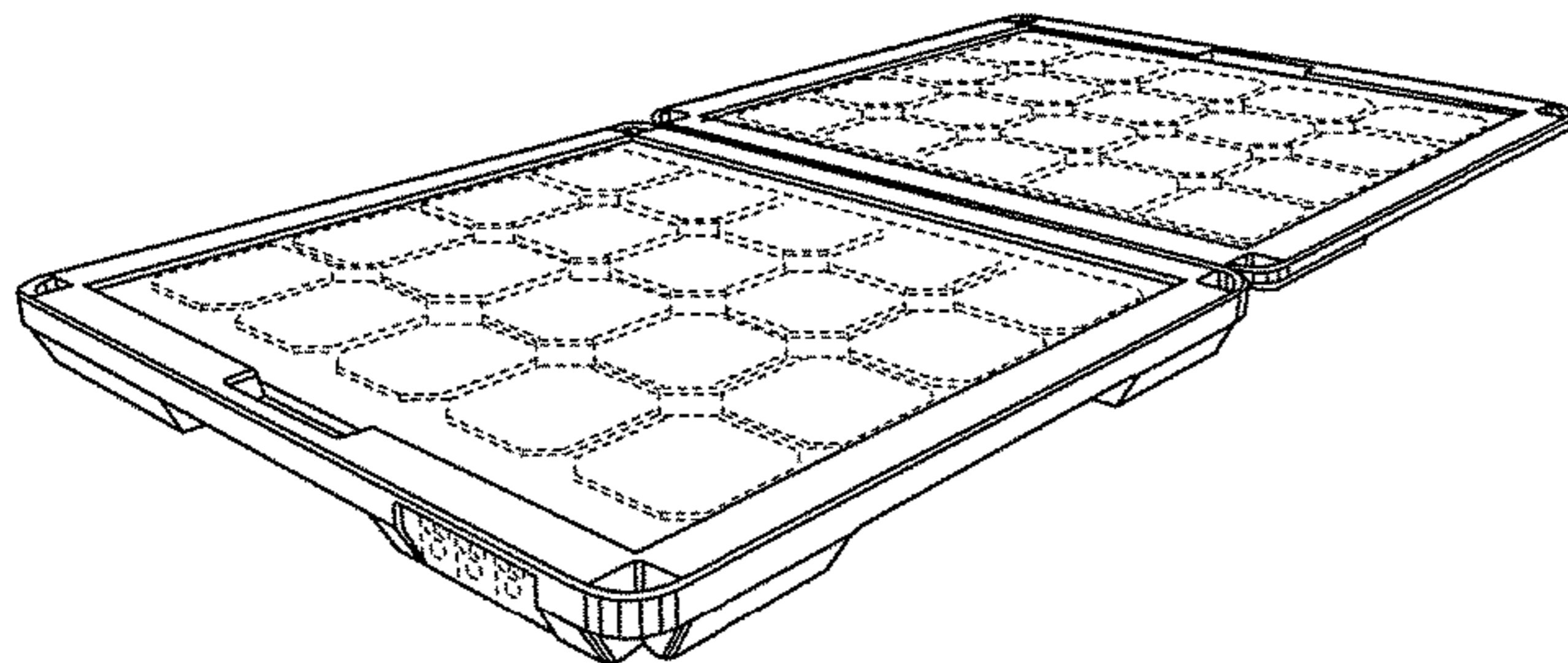
(57) **CLAIM**

The ornamental design for a clam shell device, as shown and described.

DESCRIPTION

FIG. 1 is a perspective view of clam shell device showing our new design in an open condition; FIG. 2 is a front elevational view thereof; FIG. 3 is a right side elevational view thereof; FIG. 4 is a top plan view thereof; FIG. 5 is a perspective view thereof, in a closed condition; FIG. 6 is a right side elevation view thereof; and, FIG. 7 is a top plan view thereof. The broken lines shown represent unclaimed subject matter and form no part of the claimed design.

1 Claim, 3 Drawing Sheets



(56)

References Cited

U.S. PATENT DOCUMENTS

2005/0162121	A1*	7/2005	Chan	320/101
2007/0072474	A1	3/2007	Beasley et al.	
2009/0007958	A1*	1/2009	Ho et al.	136/245
2009/0059630	A1	3/2009	Williams	
2009/0096413	A1	4/2009	Partovi et al.	
2009/0139562	A1	6/2009	Thomas	
2010/0133911	A1	6/2010	Williams et al.	
2010/0320957	A1	12/2010	Teufel et al.	
2011/0011759	A1	1/2011	Luo	
2011/0140647	A1	6/2011	Park	
2011/0221385	A1	9/2011	Partovi et al.	
2012/0025750	A1	2/2012	Margo	
2012/0095612	A1	4/2012	Rivers, Jr. et al.	

* cited by examiner

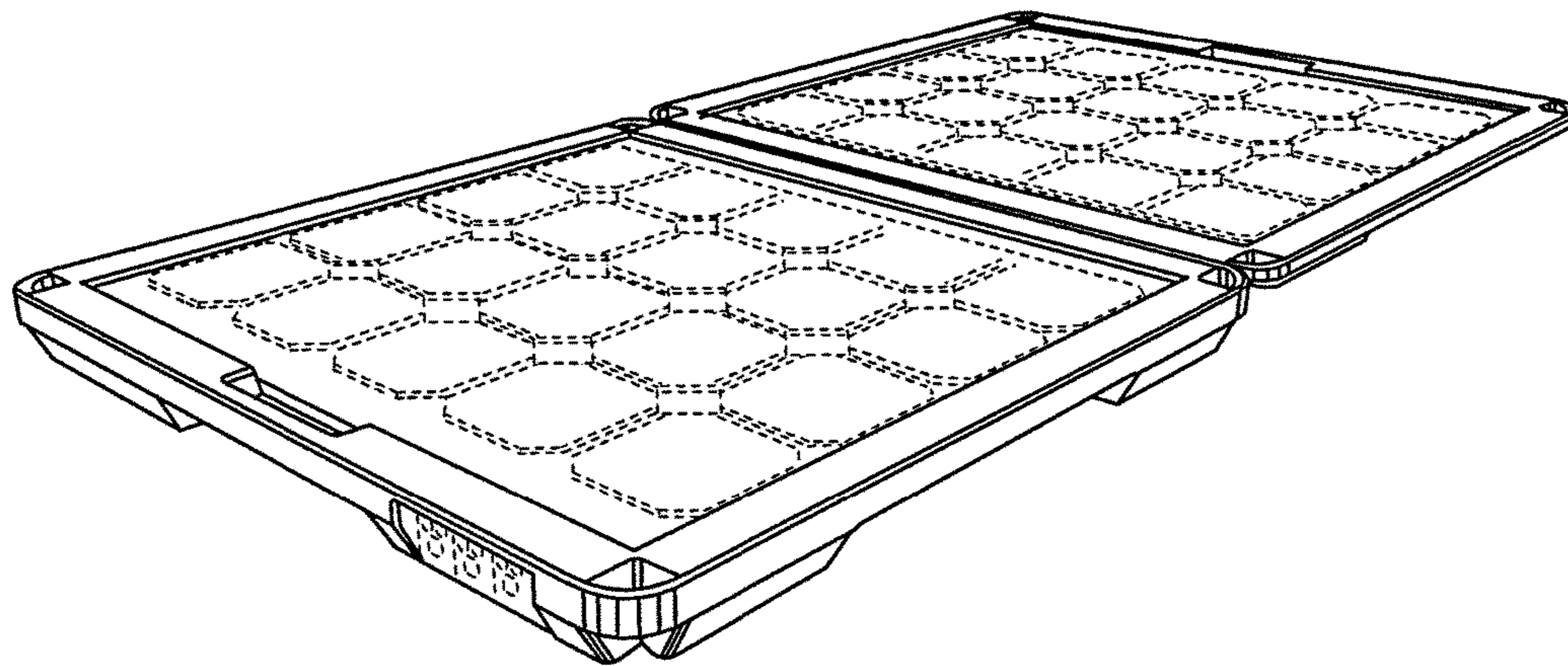


FIG. 1

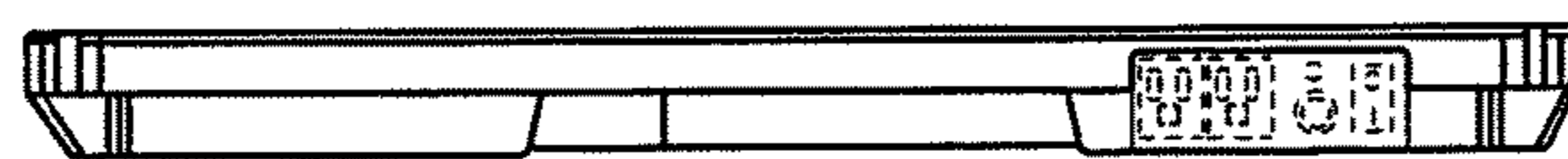


FIG. 2



FIG. 3

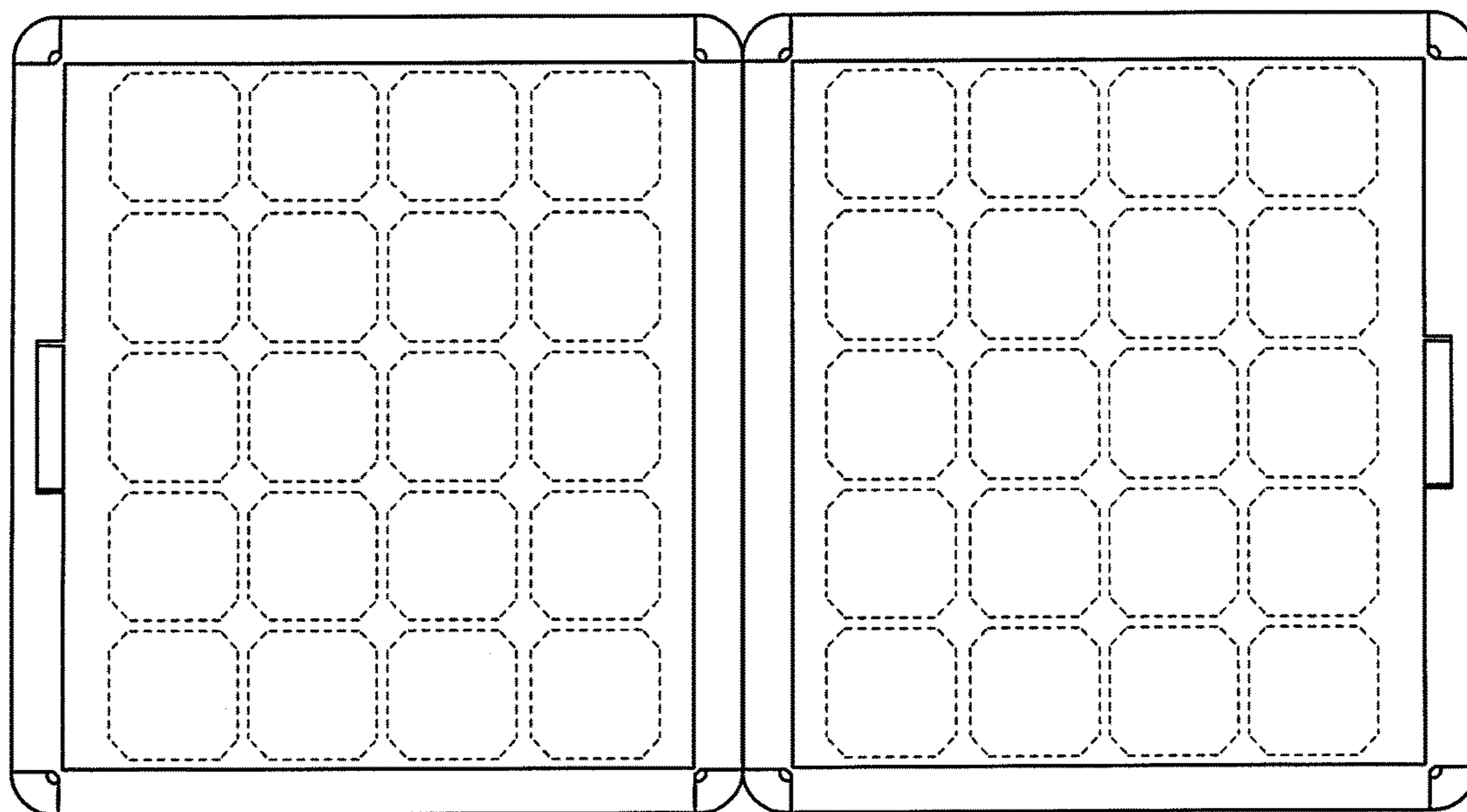


FIG. 4

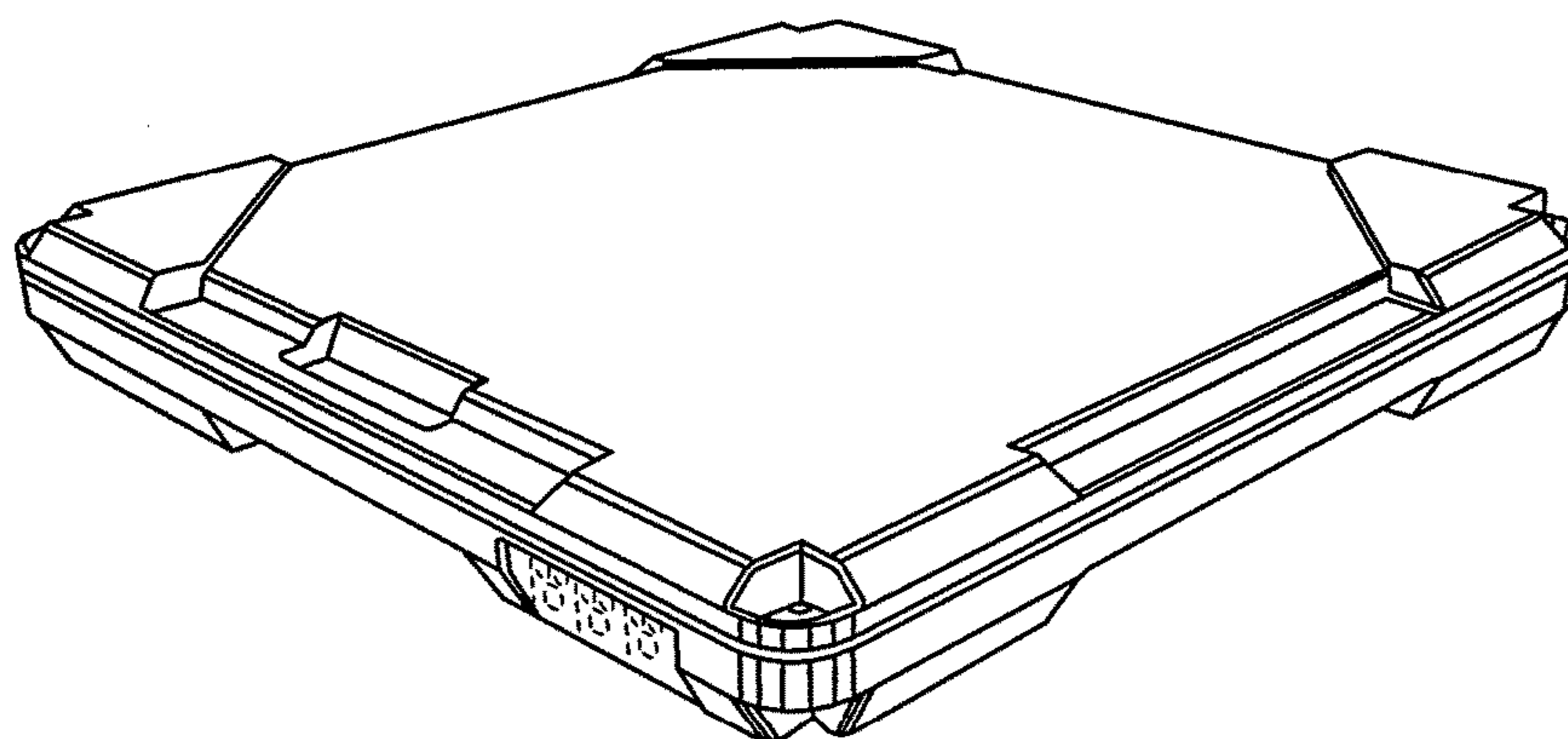


FIG. 5



FIG. 6

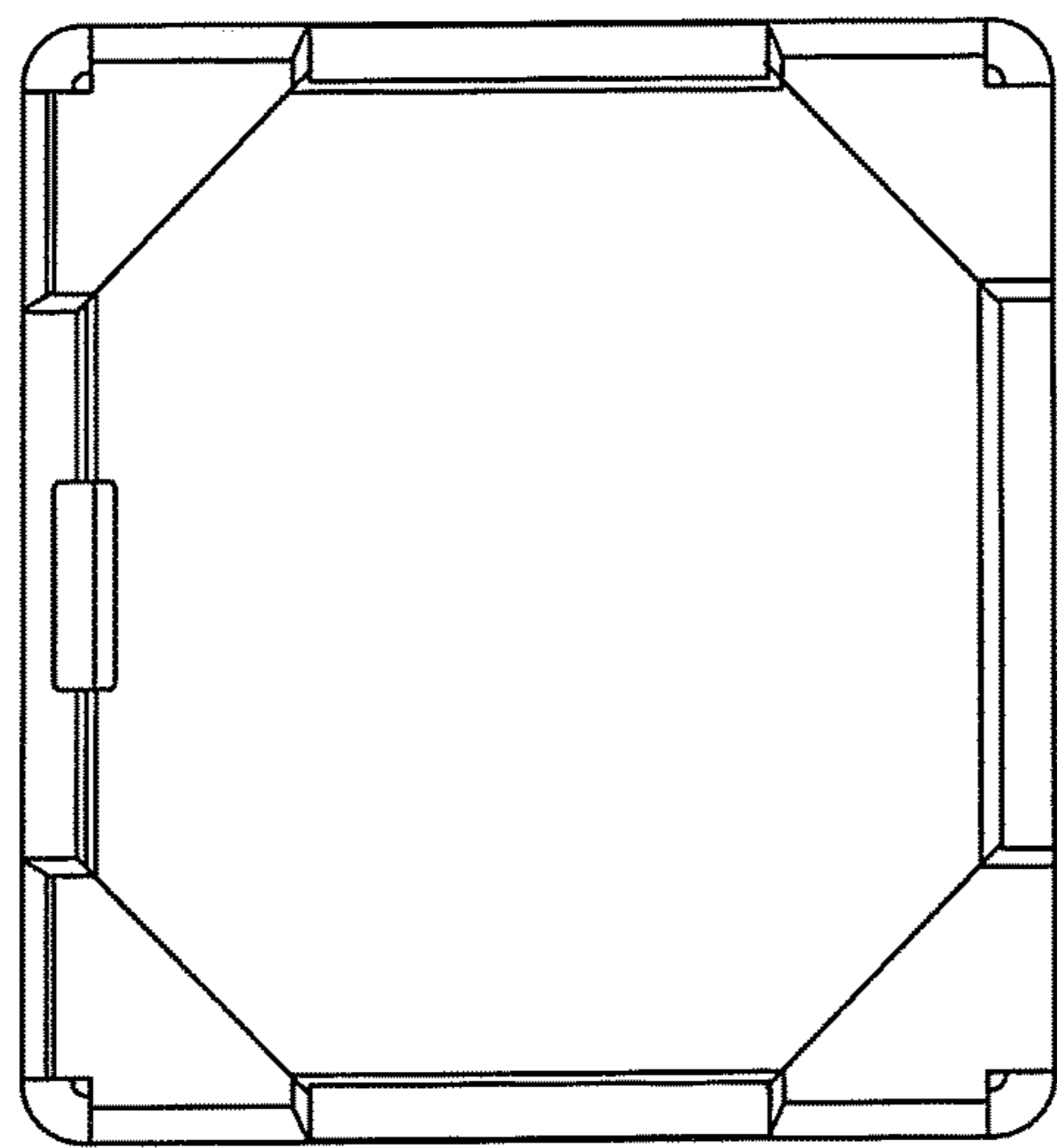


FIG. 7

UNITED STATES PATENT AND TRADEMARK OFFICE
CERTIFICATE OF CORRECTION

PATENT NO. : D796,430 S
APPLICATION NO. : 29/453205
DATED : September 5, 2017
INVENTOR(S) : Brian Gramm et al.

Page 1 of 1

It is certified that error appears in the above-identified patent and that said Letters Patent is hereby corrected as shown below:

On the Title Page

In the title delete "CLAIM" and insert --CLAM-- therefor.

Signed and Sealed this
Ninth Day of January, 2018

A handwritten signature in cursive script that reads "Joseph Matal". The signature is written in black ink and is positioned above the printed name and title of the signatory.

Joseph Matal

*Performing the Functions and Duties of the
Under Secretary of Commerce for Intellectual Property and
Director of the United States Patent and Trademark Office*