



US00D796425S

(12) **United States Design Patent** (10) **Patent No.:** **US D796,425 S**  
**Sareen** (45) **Date of Patent:** **\*\* Sep. 5, 2017**

- (54) **TIRE TREAD**
- (71) Applicant: **Omni United (S) Pte Ltd.**, Singapore (SG)
- (72) Inventor: **Gajendra Singh Sareen**, Singapore (SG)
- (73) Assignee: **Omni United (S) Pte Ltd.**, Singapore (SG)
- (\*\*) Term: **15 Years**
- (21) Appl. No.: **29/593,915**
- (22) Filed: **Feb. 14, 2017**
- (51) **LOC (10) Cl.** ..... **12-15**
- (52) **U.S. Cl.**  
USPC ..... **D12/521**
- (58) **Field of Classification Search**  
USPC ..... D12/519, 521-523, 531-532  
CPC ..... B60C 1/0016; B60C 3/06; B60C 9/17;  
B60C 11/0306; B60C 11/0302; B60C 11/11; B60C 2011/0346; B60C 2011/0365; B60C 2011/0369; B60C 2011/0381  
See application file for complete search history.

- D769,791 S \* 10/2016 Dixon ..... D12/521
- D769,793 S \* 10/2016 Haanketo ..... D12/523
- D770,367 S 11/2016 Schimmoeller, Jr.
- D771,549 S \* 11/2016 Shondel ..... D12/521
- D772,146 S \* 11/2016 Tikka ..... D12/523
- D777,083 S \* 1/2017 Skurich ..... D12/532
- D782,959 S \* 4/2017 Sareen ..... D12/521
- D785,547 S \* 5/2017 Taniguchi ..... D12/523

(Continued)

**OTHER PUBLICATIONS**

Omni United Rolls Out All-Weather Radar Dimax 4 Season, posted at Tirereview.com, posted on Aug. 8, 2016, site visited May 22, 2017, <<http://www.tirereview.com/omni-united-rolls-out-all-weather-radar-dimax-4-season/>>.\*

(Continued)

*Primary Examiner* — Mary Ann Calabrese  
*Assistant Examiner* — Messina L Smith  
(74) *Attorney, Agent, or Firm* — Perkins Coie LLP

(57) **CLAIM**

The ornamental design for a tire tread, as shown and described.

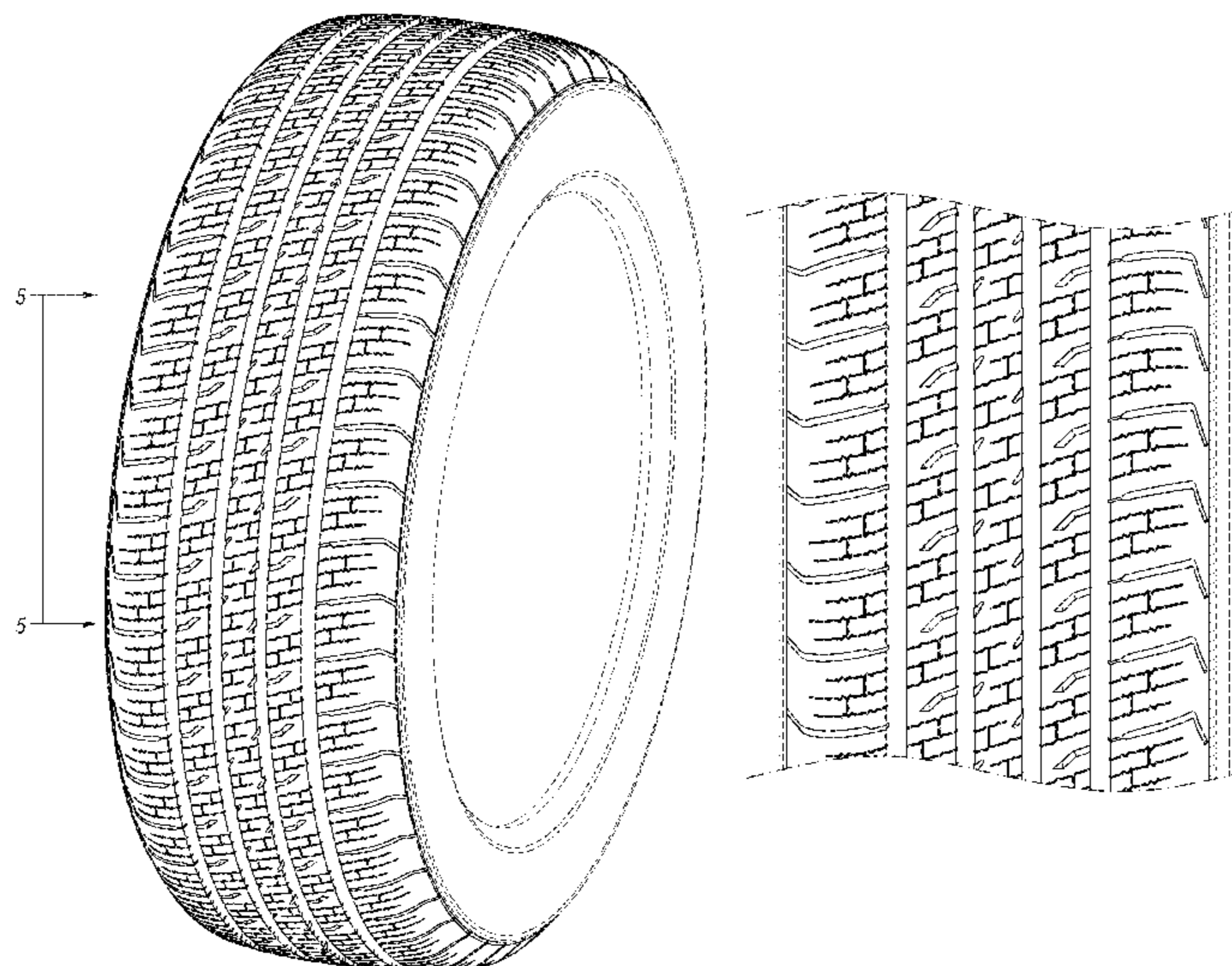
**DESCRIPTION**

FIG. 1 is a perspective view of a tire tread, showing my new design;  
FIG. 2 is a front view thereof;  
FIG. 3 is a side view thereof;  
FIG. 4 is an opposite side view thereof;  
FIG. 5 is an enlarged perspective view of a section of the tire tread defined by lines 5-5 in FIG. 1;  
FIG. 6 is an enlarged front view of a section of the tire tread as defined by lines 6-6 in FIG. 2; and,  
FIG. 7 is an enlarged side view of a section of the tire tread as defined by lines 7-7 in FIG. 3.  
The broken lines in FIGS. 1-7 show portions of the tire tread or tire which form no part of the claimed design.

**1 Claim, 7 Drawing Sheets**

(56) **References Cited**  
U.S. PATENT DOCUMENTS

|              |         |                 |         |
|--------------|---------|-----------------|---------|
| D422,246 S   | 4/2000  | Fierro et al.   |         |
| D436,900 S   | 1/2001  | Buresh et al.   |         |
| D604,231 S   | 11/2009 | Hada            |         |
| D635,915 S   | 4/2011  | Hamada          |         |
| D646,626 S   | 10/2011 | Murata          |         |
| D686,974 S   | 7/2013  | Zhao            |         |
| D704,624 S   | 5/2014  | Miyazaki        |         |
| D736,697 S   | 8/2015  | Leocadio et al. |         |
| D744,406 S * | 12/2015 | Bosch Alsina    | D12/521 |
| D744,411 S   | 12/2015 | Tian            |         |
| D753,049 S * | 4/2016  | Koishikawa      | D12/523 |
| D757,642 S   | 5/2016  | Kwak            |         |
| D758,285 S * | 6/2016  | Wen             | D12/523 |



(56)

**References Cited**

U.S. PATENT DOCUMENTS

D786,775 S \* 5/2017 Hayashi ..... D12/521  
D786,776 S \* 5/2017 Aoki ..... D12/521

OTHER PUBLICATIONS

Omni launches Radar UHP/run-flat tire, posted at Rubbernews.com,  
posted on Jun. 14, 2016, site visited May 22, 2017, <<http://www.rubbernews.com/article/20160614/NEWS/160619982>>.\*

\* cited by examiner



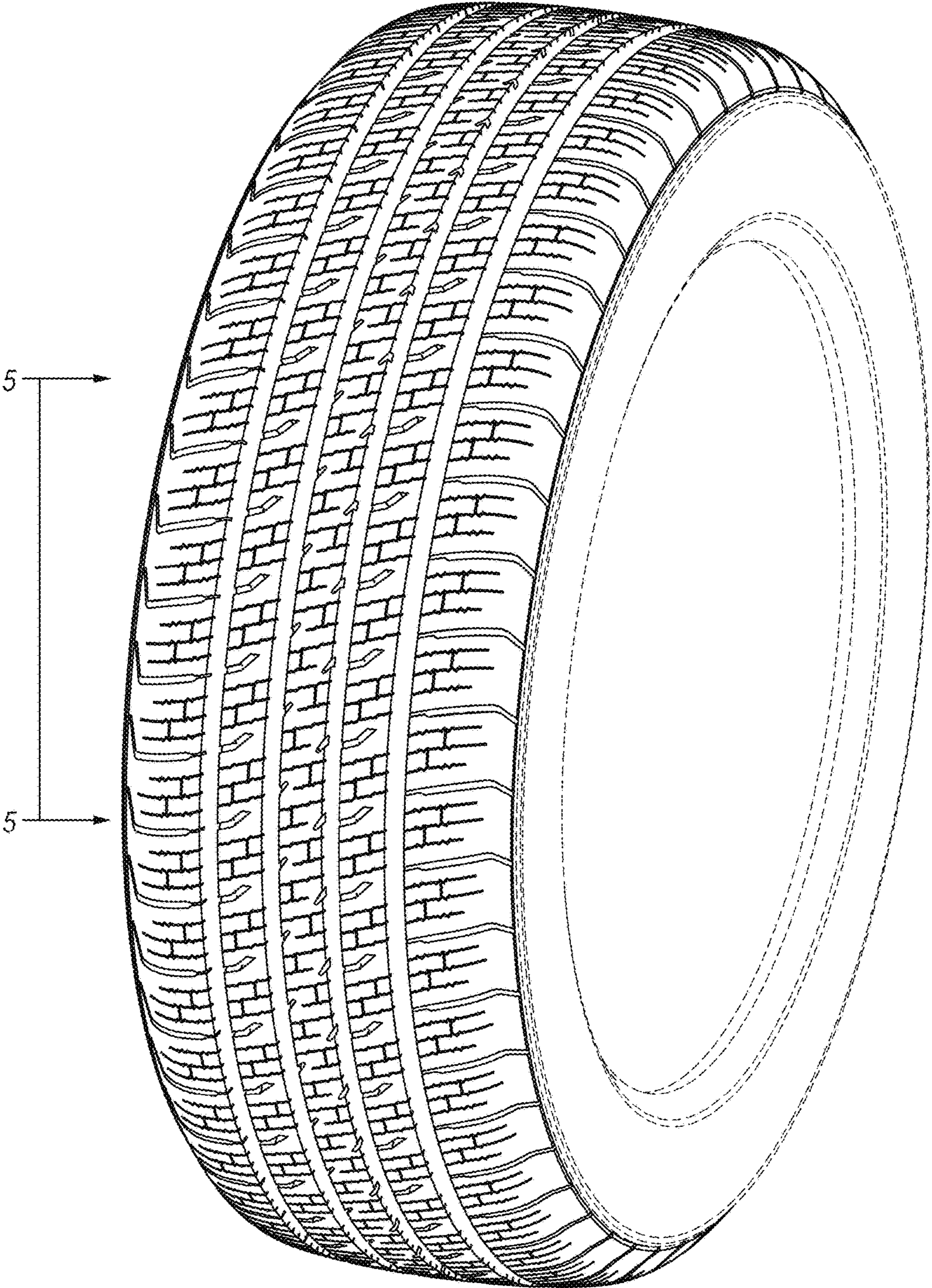


FIG. 1

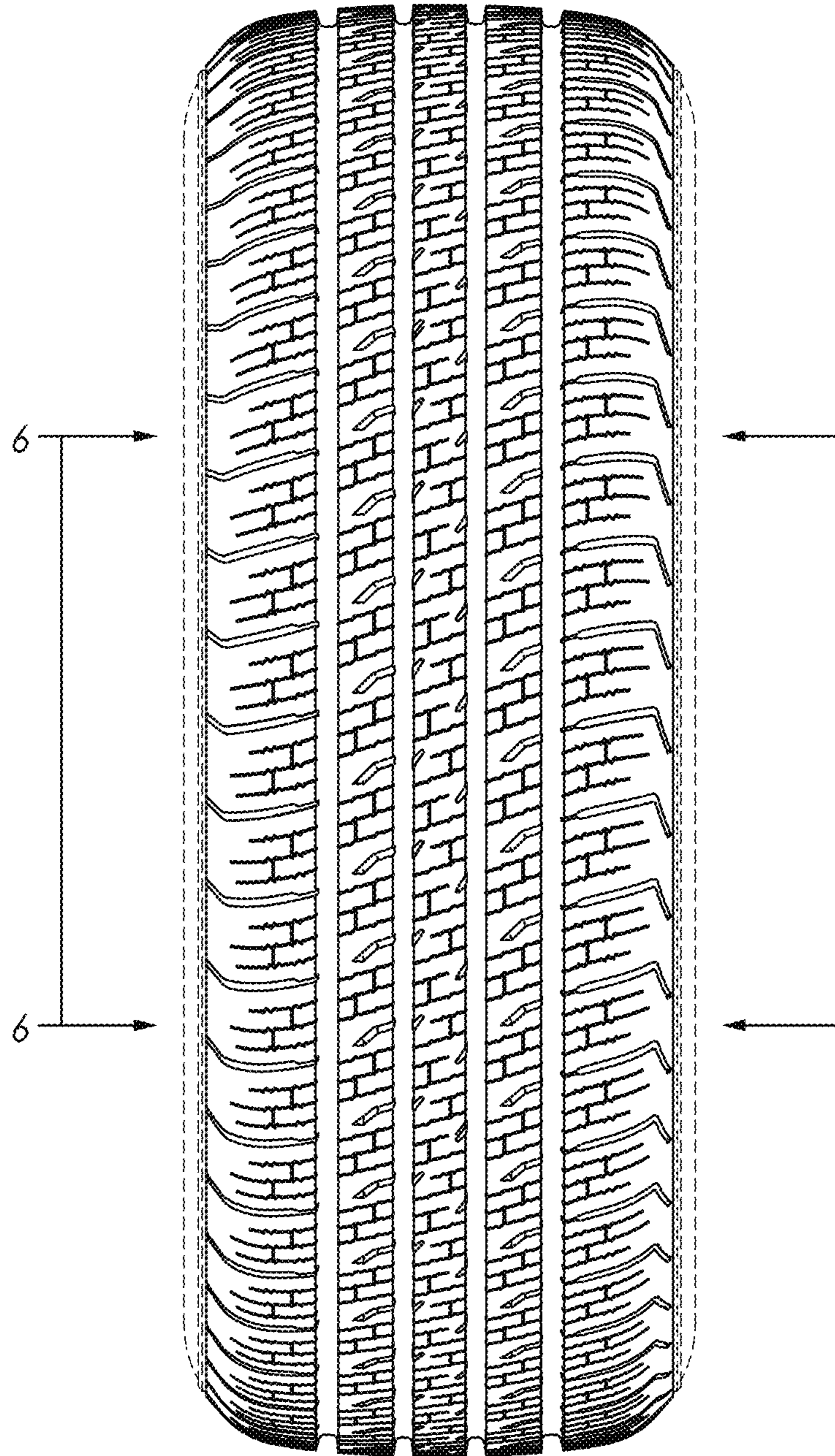


FIG. 2



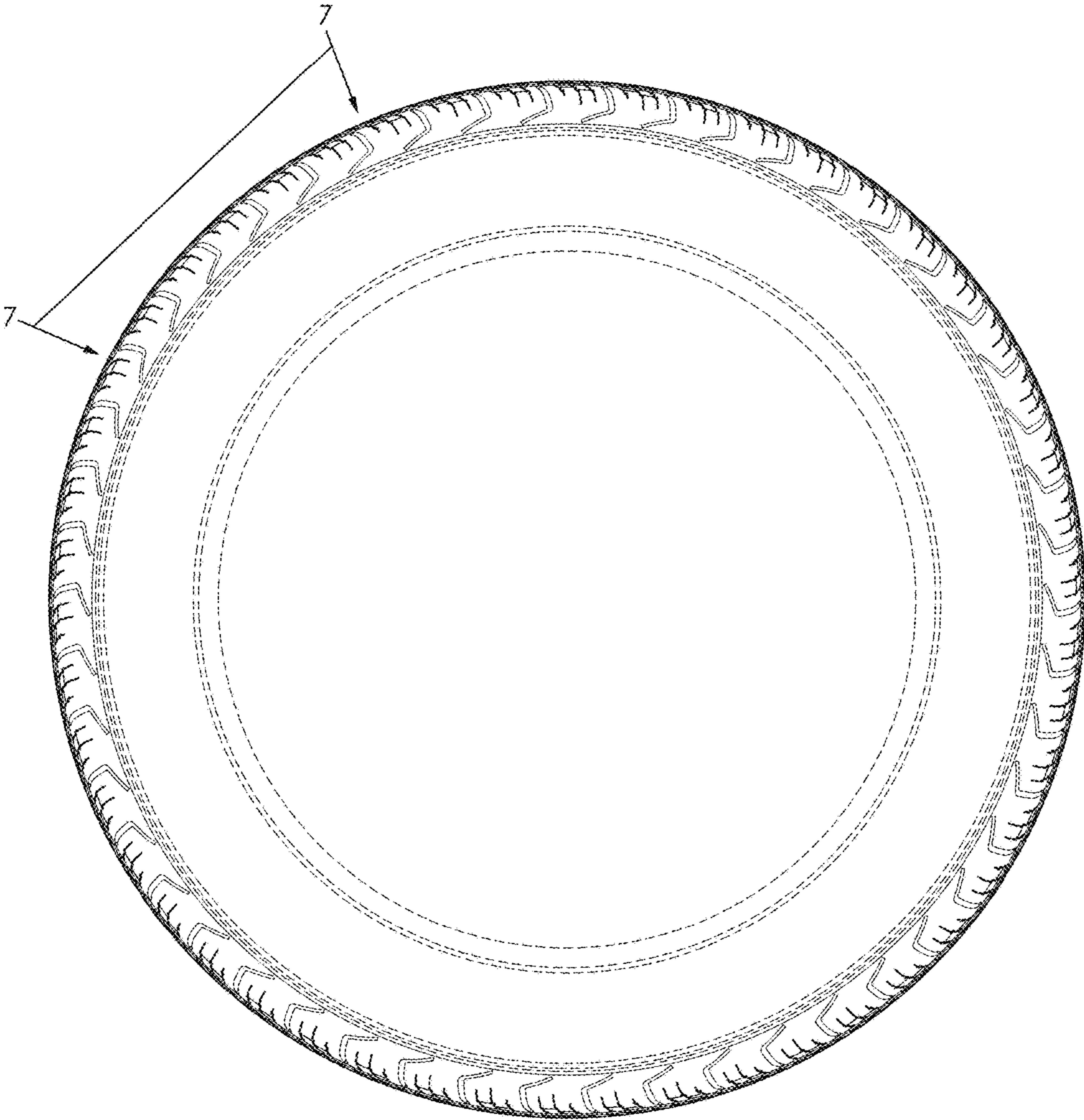


FIG. 3

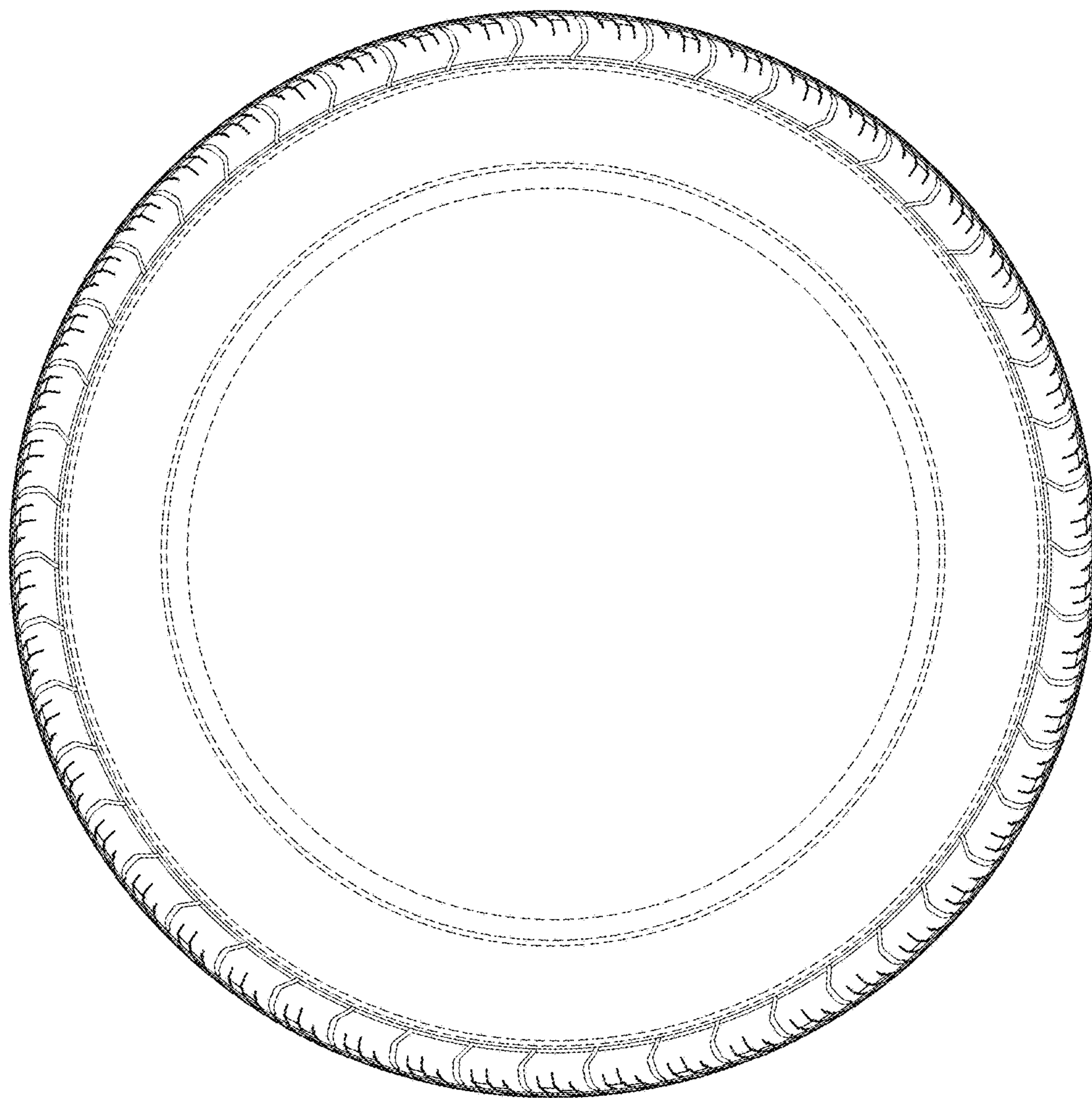


FIG. 4

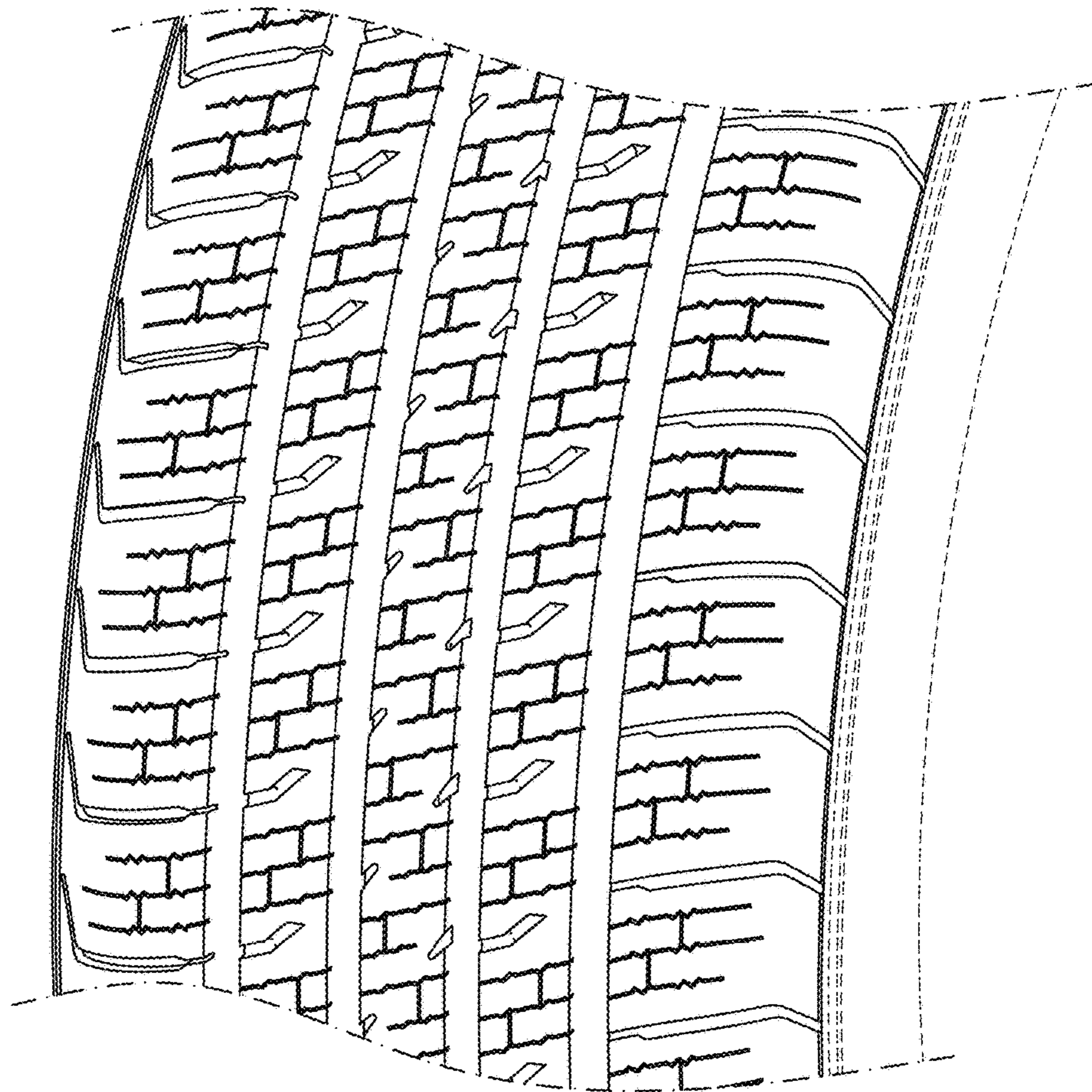


FIG. 5



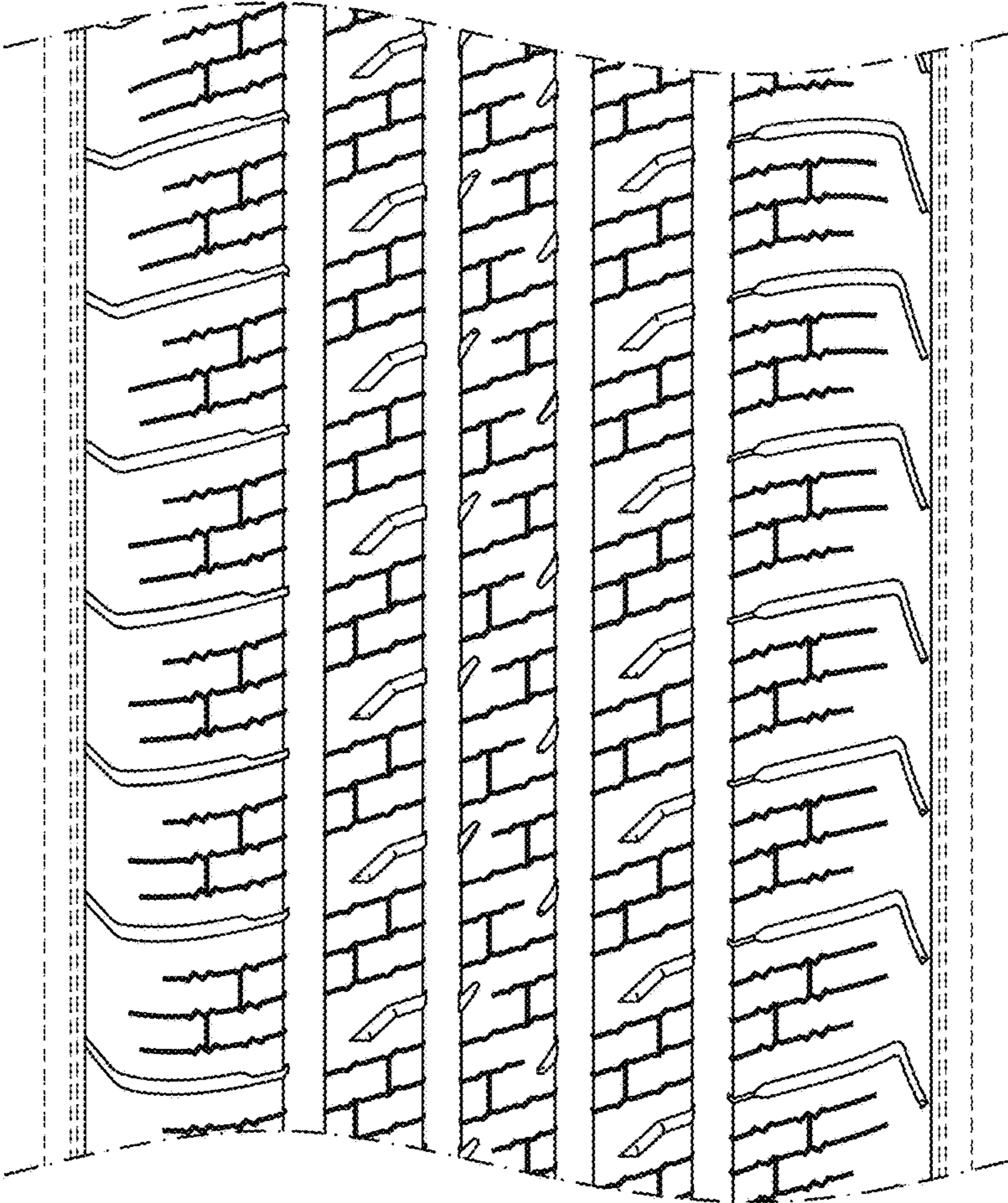


FIG. 6



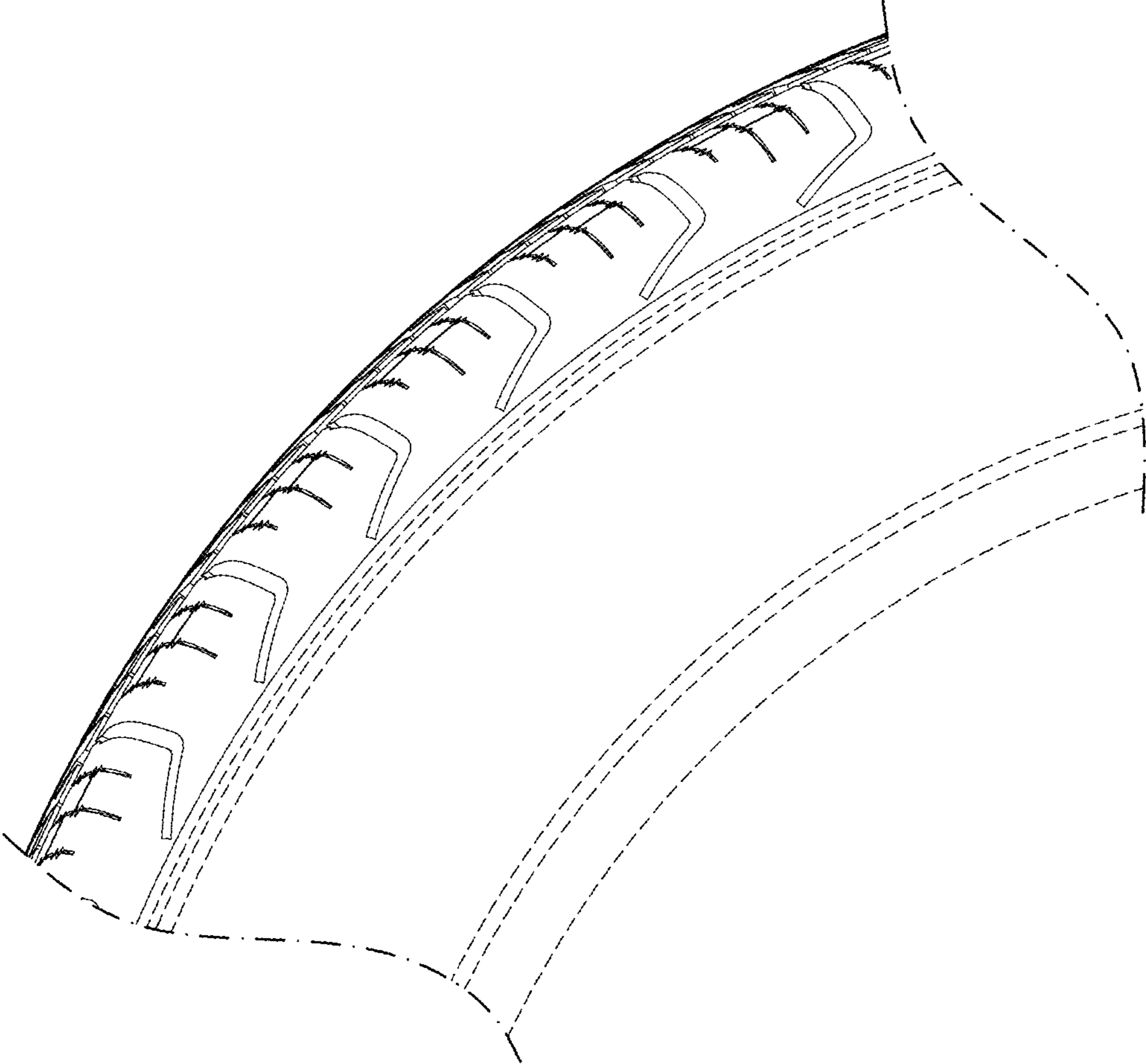


FIG. 7