



US00D796422S

(12) **United States Design Patent**
Hodges

(10) **Patent No.:** **US D796,422 S**

(45) **Date of Patent:** **** Sep. 5, 2017**

(54) **VEHICLE PARTITION**

(71) Applicant: **Frank J. Hodges**, Corona, CA (US)

(72) Inventor: **Frank J. Hodges**, Corona, CA (US)

(**) Term: **15 Years**

(21) Appl. No.: **29/547,172**

(22) Filed: **Dec. 1, 2015**

(51) **LOC (10) Cl.** **12-16**

(52) **U.S. Cl.**
USPC **D12/426**

(58) **Field of Classification Search**
USPC D12/426, 195, 193, 414, 190, 196;
D15/17, 28; D10/46, 98, 102-103;
D8/302-303

CPC B60R 13/02; B60R 13/0243; B60J 5/04;
B60N 2/466; B60N 2/4693

See application file for complete search history.

(56) **References Cited**

U.S. PATENT DOCUMENTS

5,288,122 A *	2/1994	Pilhall	B60R 21/06 160/120
D392,938 S *	3/1998	Sylvester	D12/426
D393,622 S *	4/1998	Goertzen	D12/426
7,017,520 B2 *	3/2006	Wang	B60R 21/026 119/412

D566,649 S *	4/2008	Panasewicz	D12/426
D567,742 S *	4/2008	Spater	D12/426
D722,549 S *	2/2015	Renforth	D12/400
D722,550 S *	2/2015	Renforth	D12/400
D722,942 S *	2/2015	Renforth	D12/400
D722,943 S *	2/2015	Renforth	D12/400
D729,723 S *	5/2015	Reed	D12/426
9,421,932 B2 *	8/2016	Renforth	B60R 21/026

* cited by examiner

Primary Examiner — Katrina A Betton

(74) *Attorney, Agent, or Firm* — Eric B. Alspaugh

(57) **CLAIM**

The ornamental design for a vehicle partition, as shown and described.

DESCRIPTION

FIG. 1 is a front view of a vehicle partition showing my new design;

FIG. 2 is left side view thereof;

FIG. 3 is right side view thereof;

FIG. 4 is front forty five degree tilted back view thereof;

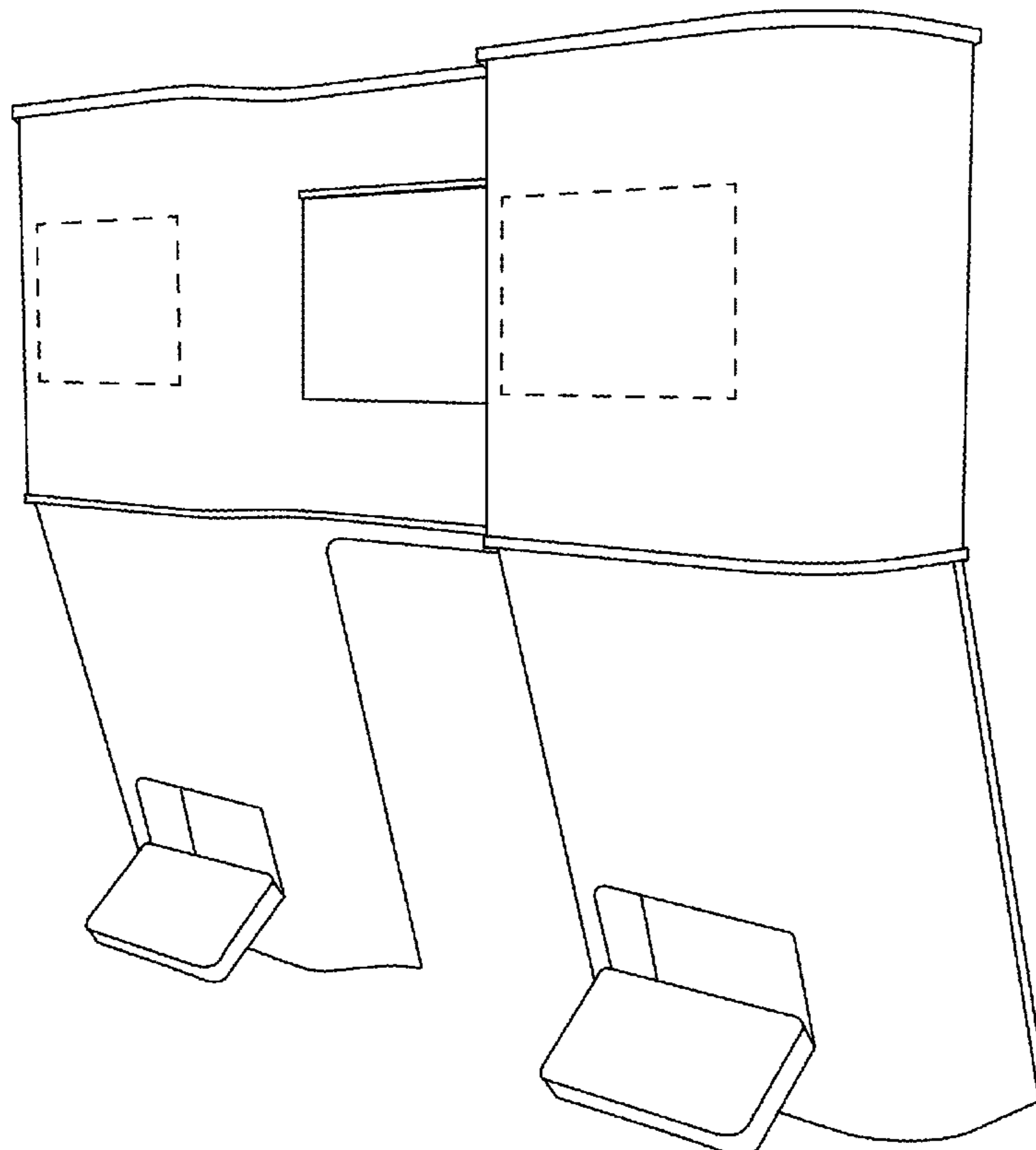
FIG. 5 is front forty five degree tilted forward view thereof;

FIG. 6 is back side tilted back forty five degrees to the side view thereof; and,

FIG. 7 is front side tilted away forty five degrees view thereof.

The portions shown in phantom provide context only but do not limit the claim and should not be considered part of the claimed design.

1 Claim, 7 Drawing Sheets



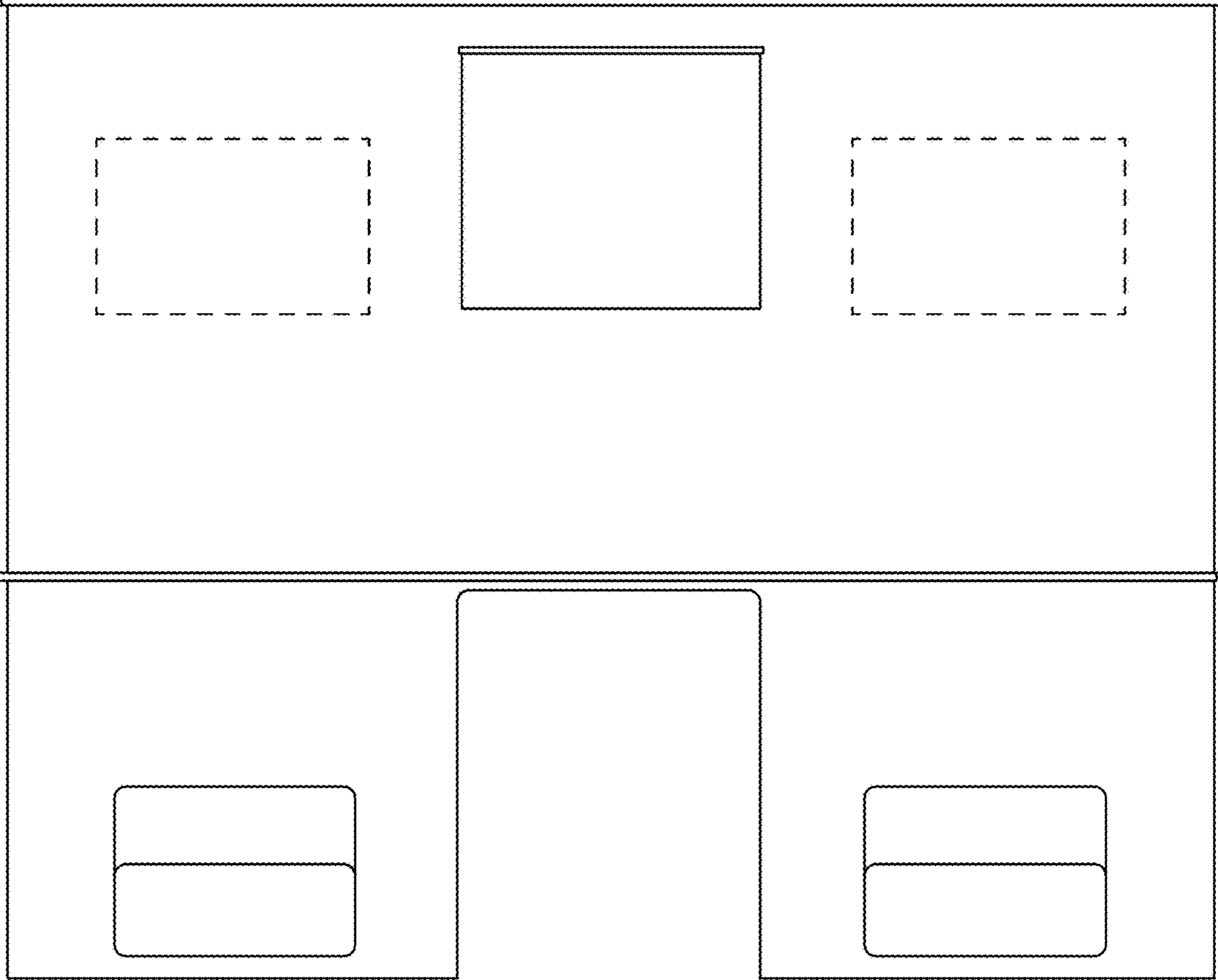


Fig. 1

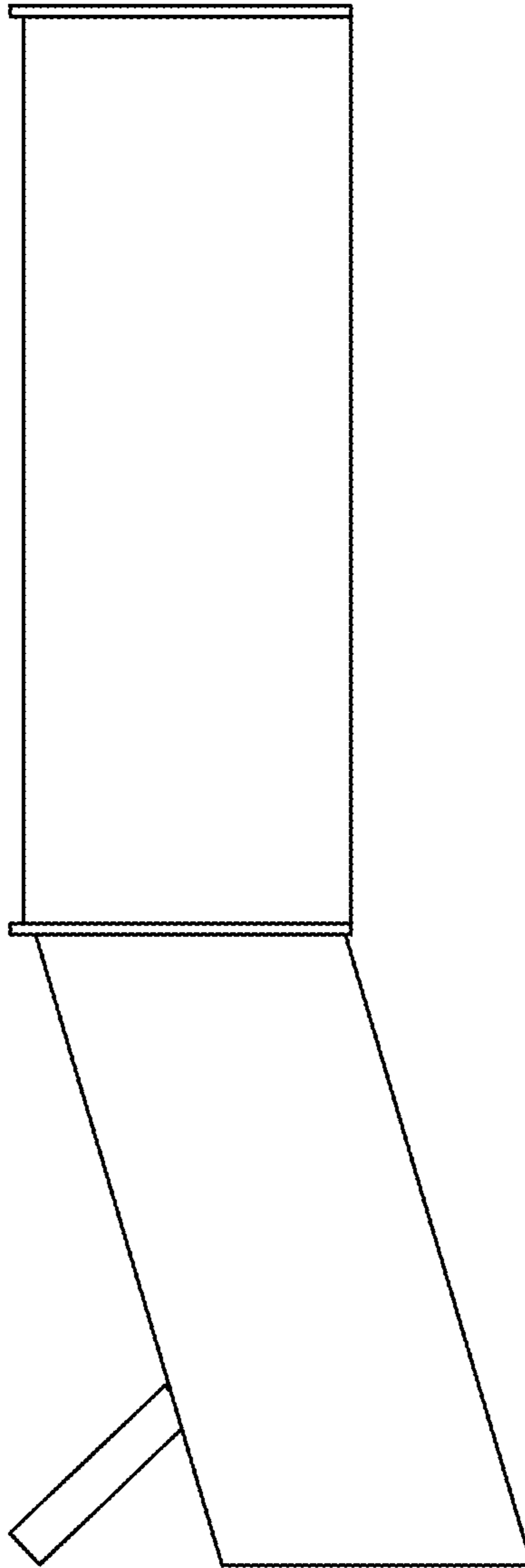


Fig. 2

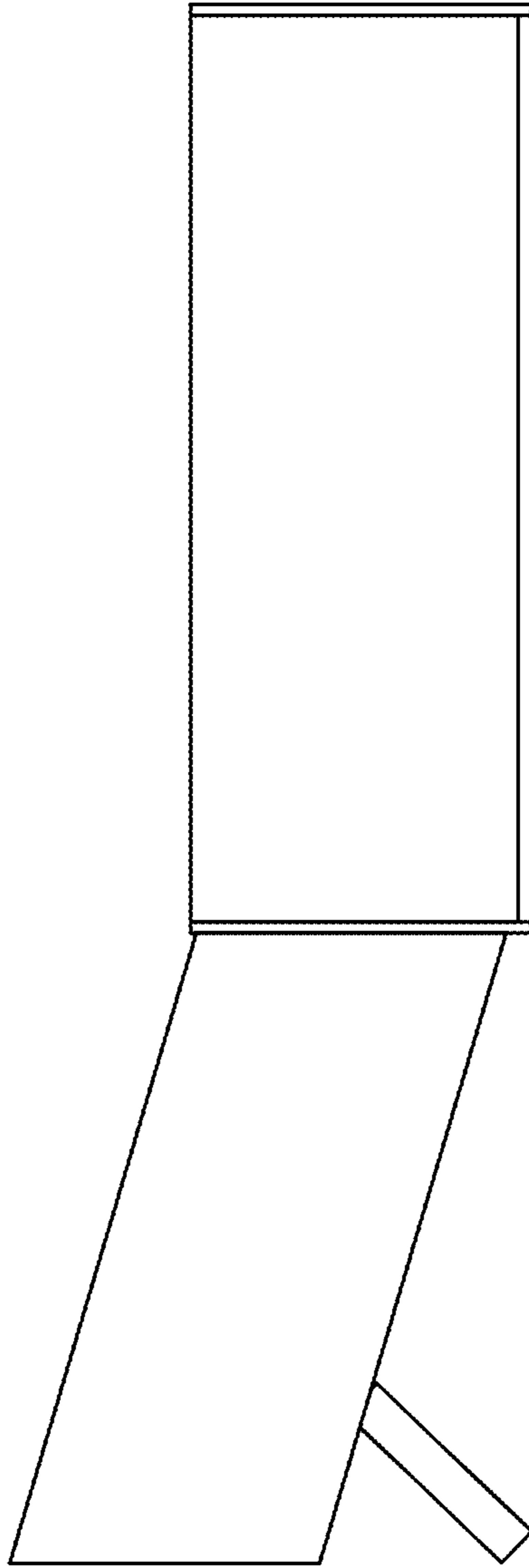


Fig. 3

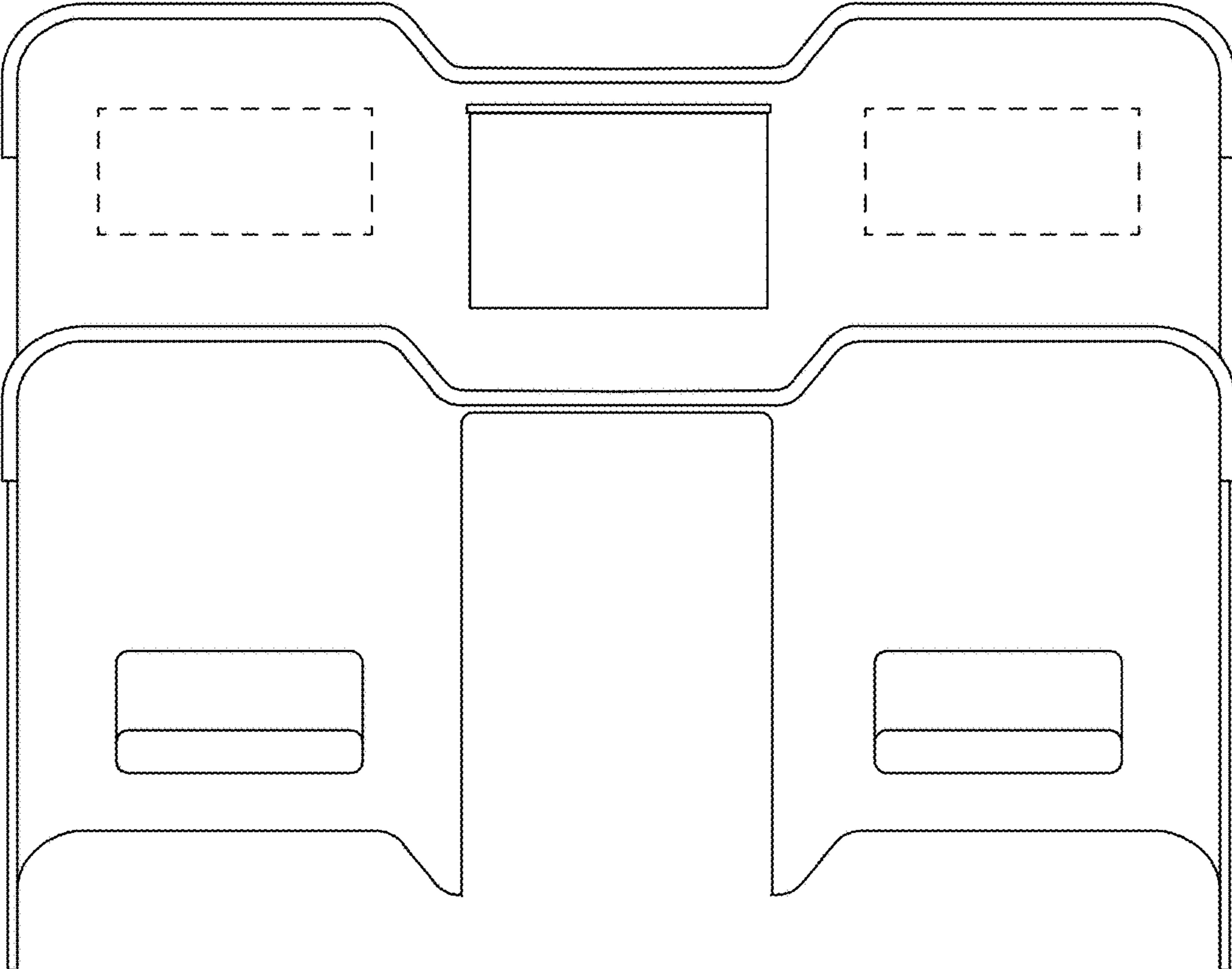


Fig. 4

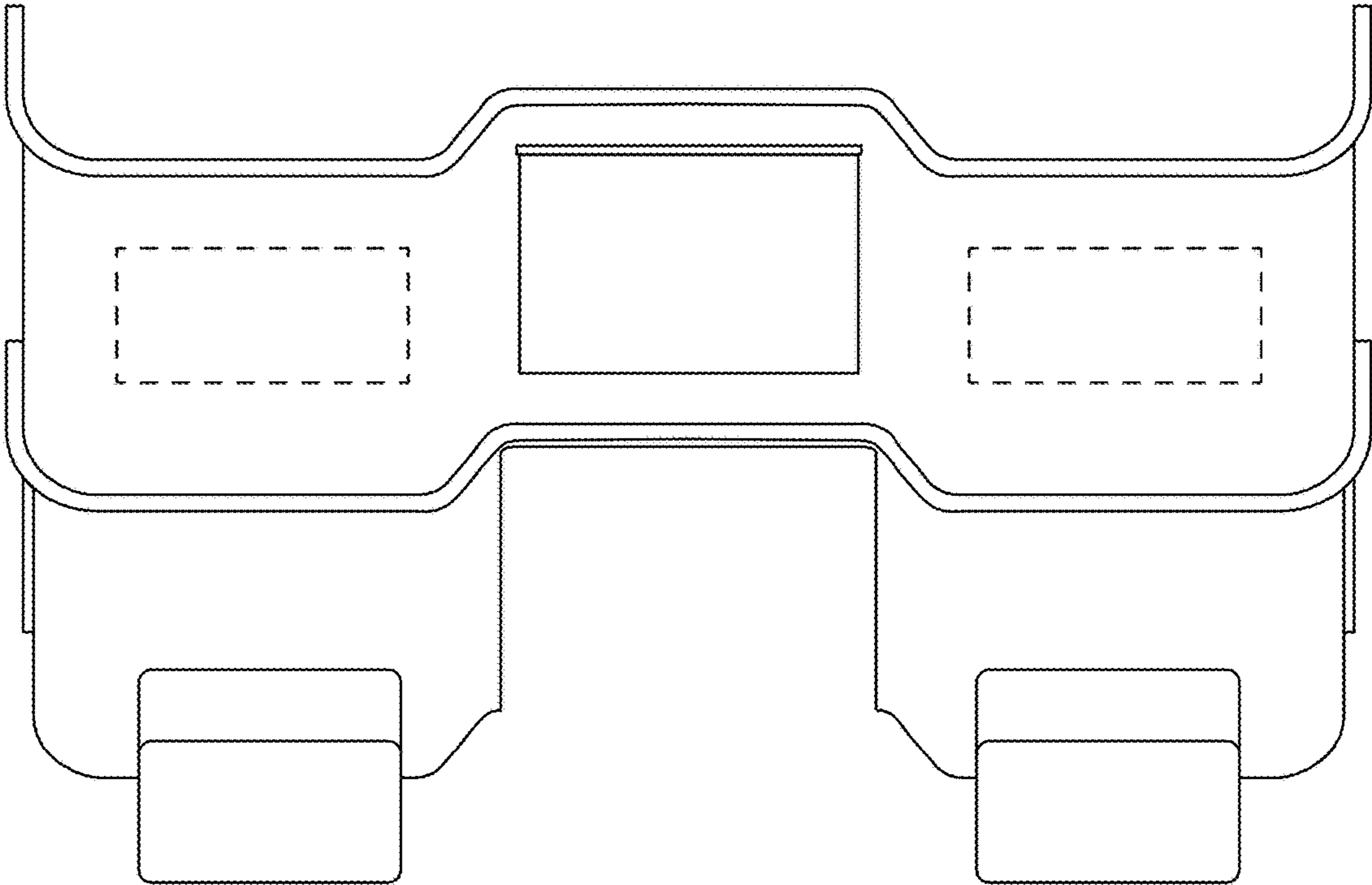


Fig. 5

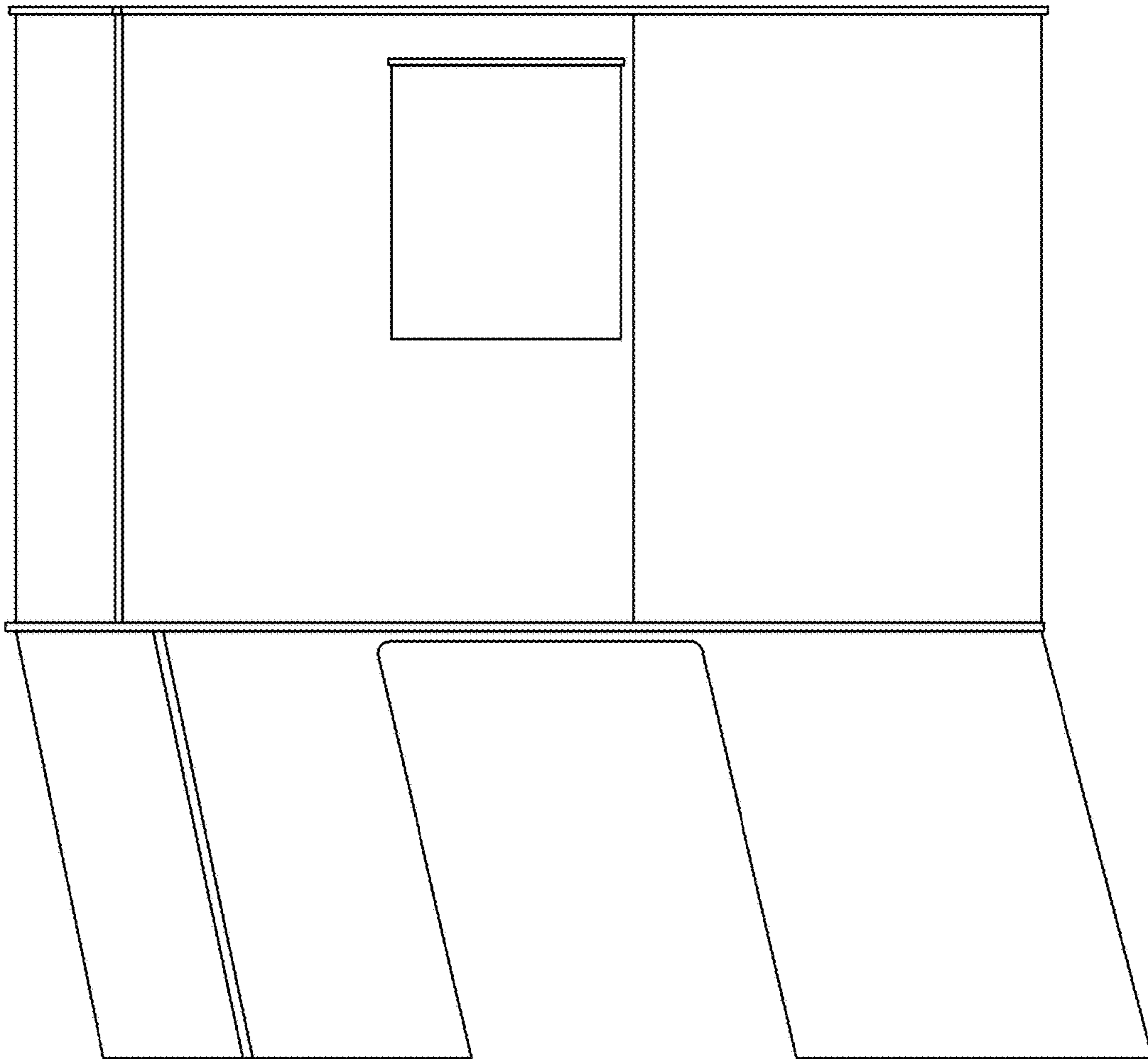


Fig. 6

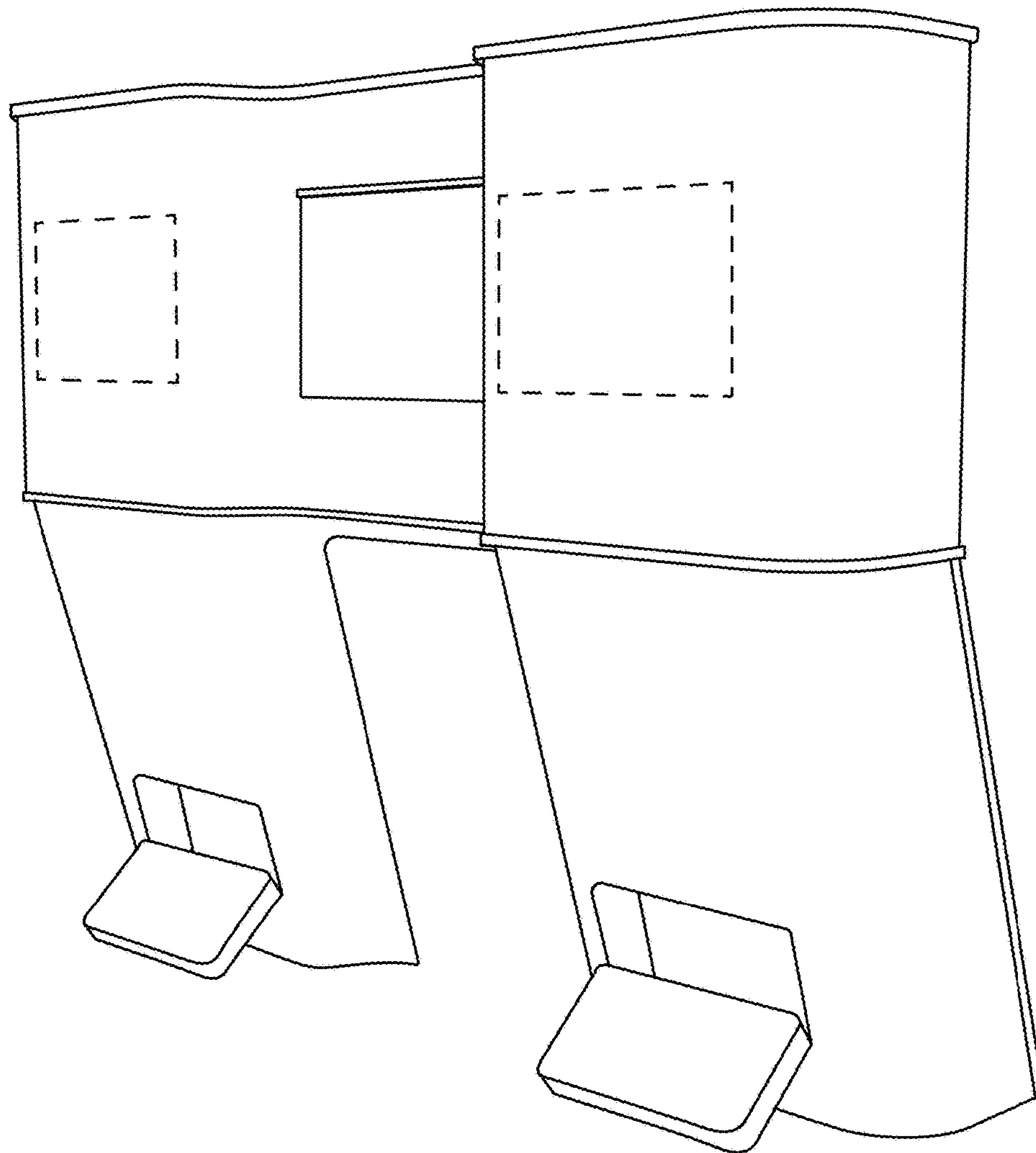


Fig. 7