



US00D796421S

(12) **United States Design Patent**
Huang

(10) **Patent No.:** **US D796,421 S**

(45) **Date of Patent:** **** Sep. 5, 2017**

(54) **CAR VENT MOUNT**

(71) Applicant: **Yucheng Huang**, Guangdong (CN)

(72) Inventor: **Yucheng Huang**, Guangdong (CN)

(**) Term: **15 Years**

(21) Appl. No.: **29/573,949**

(22) Filed: **Aug. 10, 2016**

(51) **LOC (10) Cl.** **12-16**

(52) **U.S. Cl.**
USPC **D12/415**

(58) **Field of Classification Search**
USPC D12/415-420, 400, 191, 106, 195, 345,
D12/96, 99

CPC B60R 7/06; B60R 11/02; B60R 2011/005;
B60R 2011/0012; A61L 9/12; A61L 9/04

See application file for complete search history.

(56) **References Cited**

U.S. PATENT DOCUMENTS

4,066,231 A * 1/1978 Bahner B43M 99/00
248/289.11
D603,322 S * 11/2009 Nicieja D12/415
7,857,268 B2 * 12/2010 Chiu B60R 11/04
248/149

D690,707 S * 10/2013 Minn D14/447
D711,322 S * 8/2014 McSweyn D13/144
D750,633 S * 3/2016 Minn D14/447
D767,556 S * 9/2016 Lee D12/415
D772,784 S * 11/2016 Higgins D12/415
D778,713 S * 2/2017 McSweyn D12/415
D778,714 S * 2/2017 McSweyn D12/415
2010/0001151 A1 * 1/2010 Wheatley B60R 11/00
248/206.2
2012/0097723 A1 * 4/2012 Khatchatryan B60R 11/00
224/483

* cited by examiner

Primary Examiner — Katrina A Betton

(57) **CLAIM**

The ornamental design for a car vent mount, as shown and described.

DESCRIPTION

FIG. 1 is a perspective view of a car vent mount, showing my new design.

FIG. 2 is a front view thereof.

FIG. 3 is a rear view thereof.

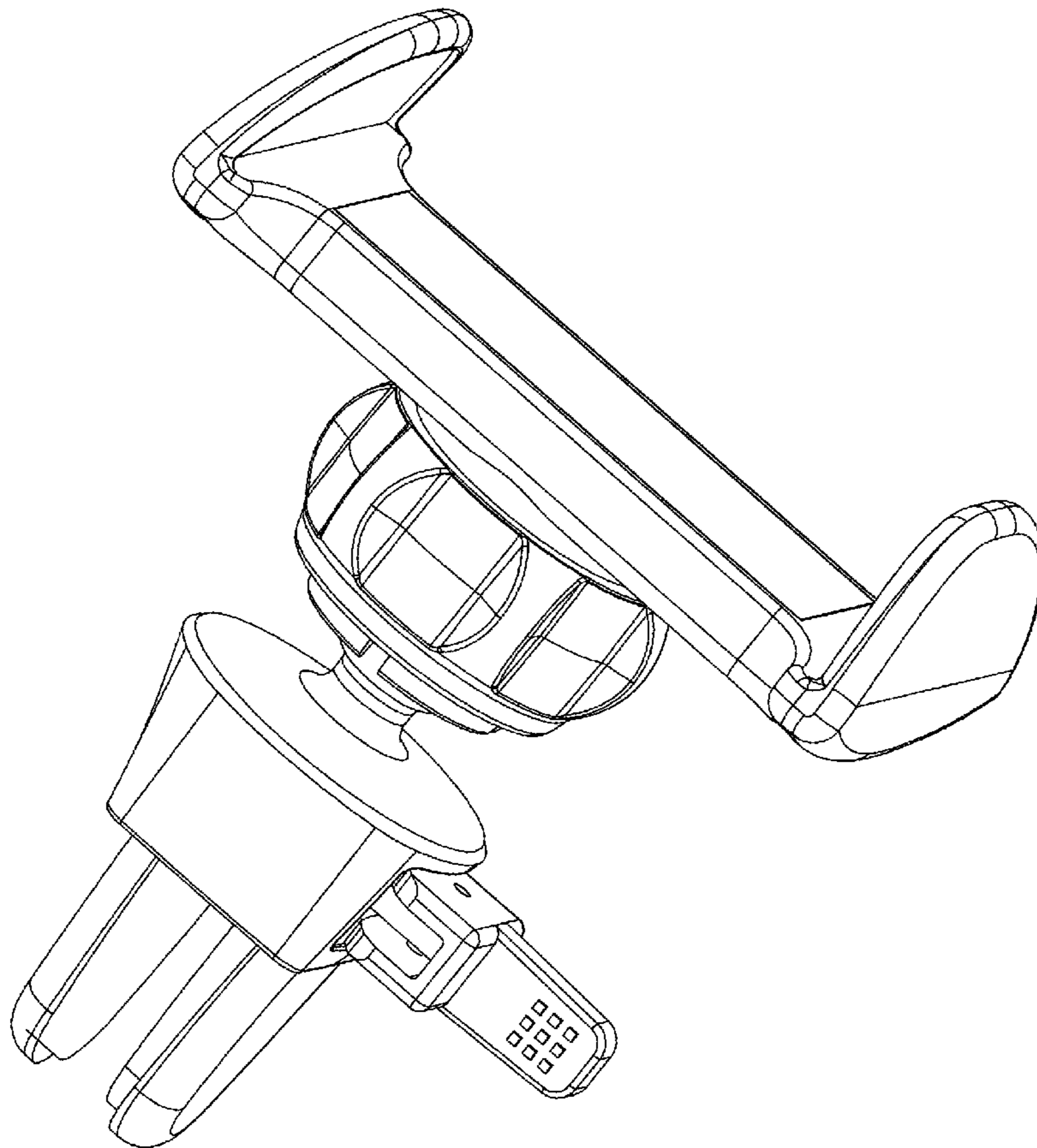
FIG. 4 is a left view thereof.

FIG. 5 is a right view thereof.

FIG. 6 is a top view thereof; and,

FIG. 7 is a bottom view thereof.

1 Claim, 7 Drawing Sheets



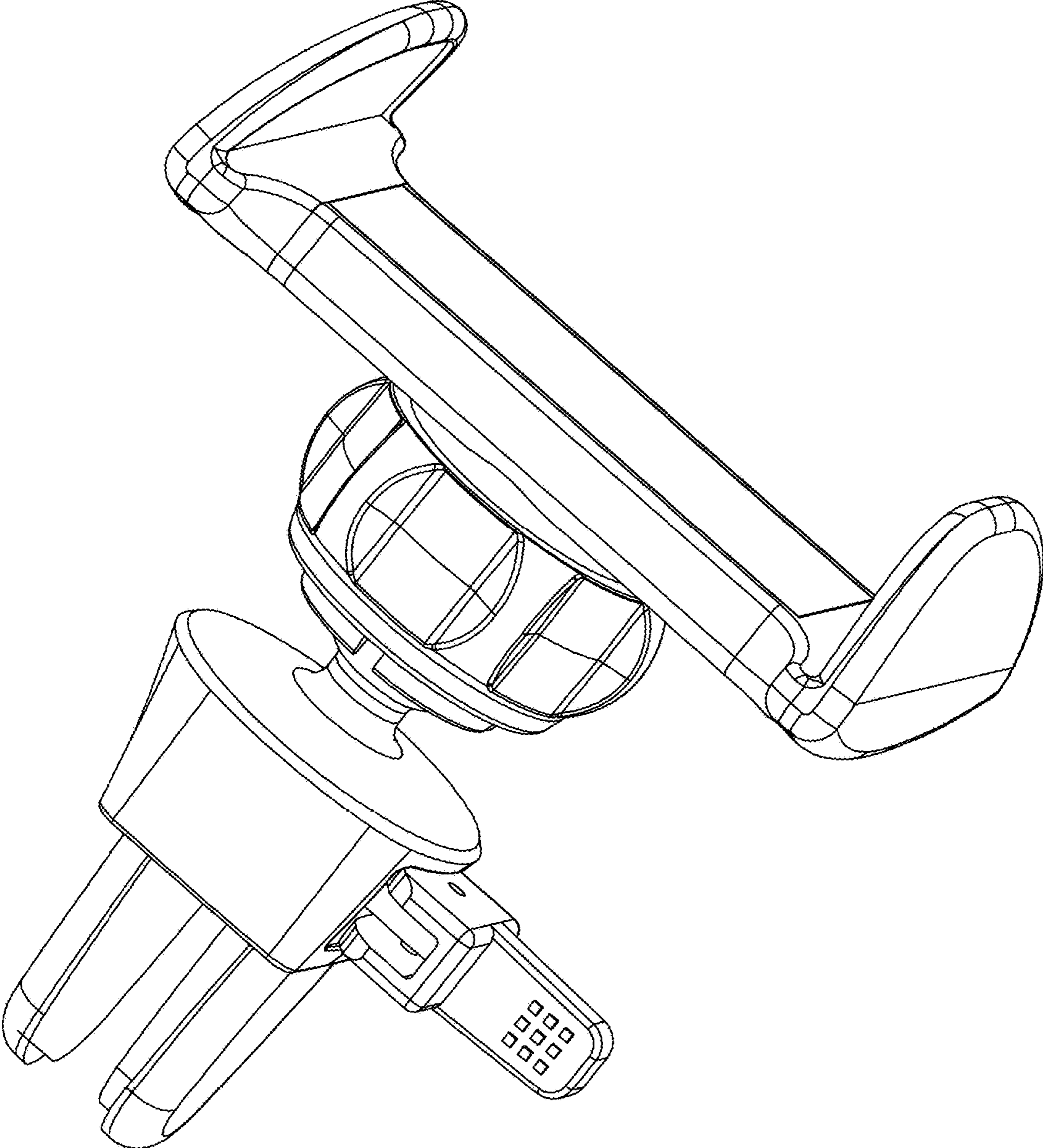


Fig. 1

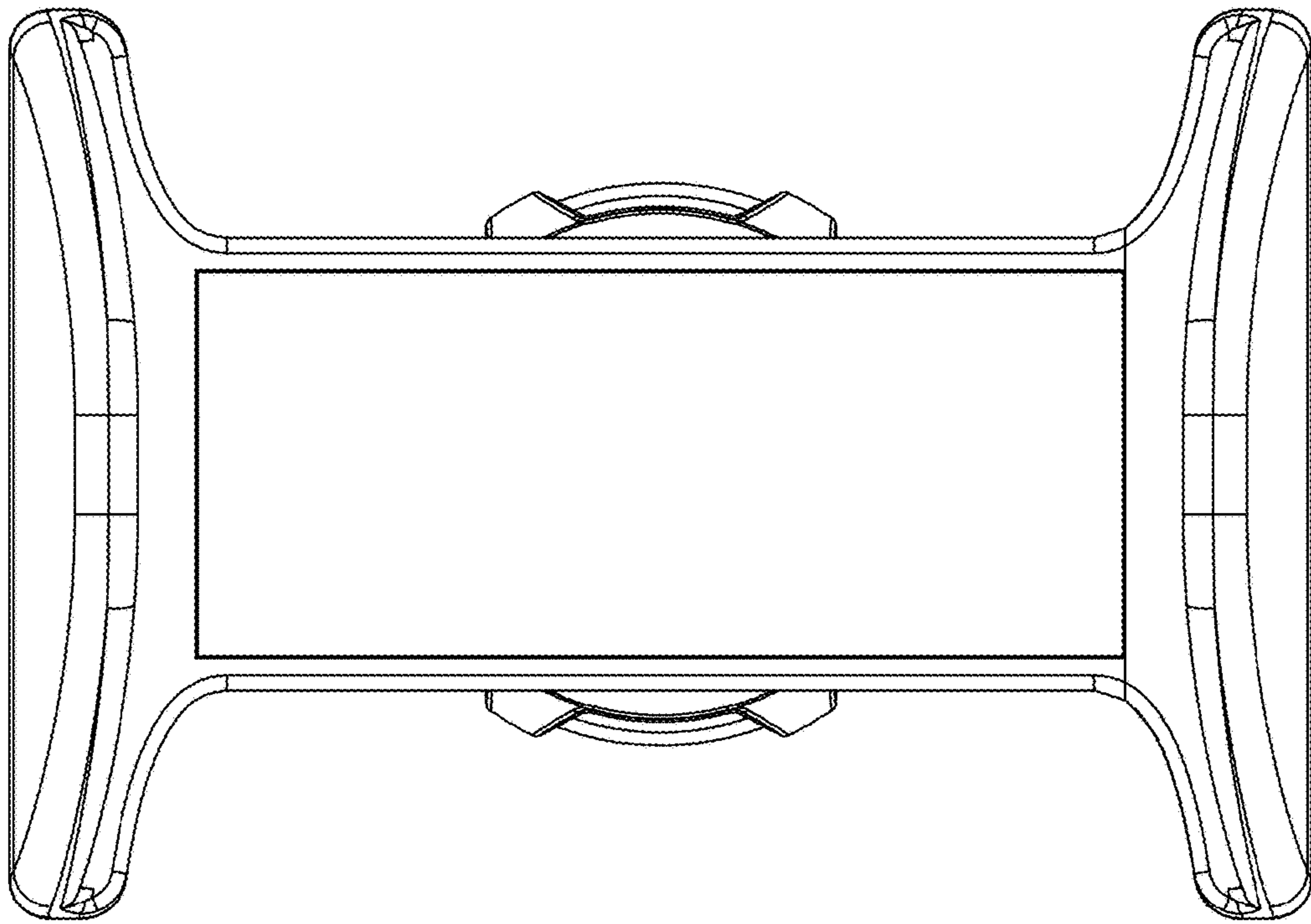


Fig. 2

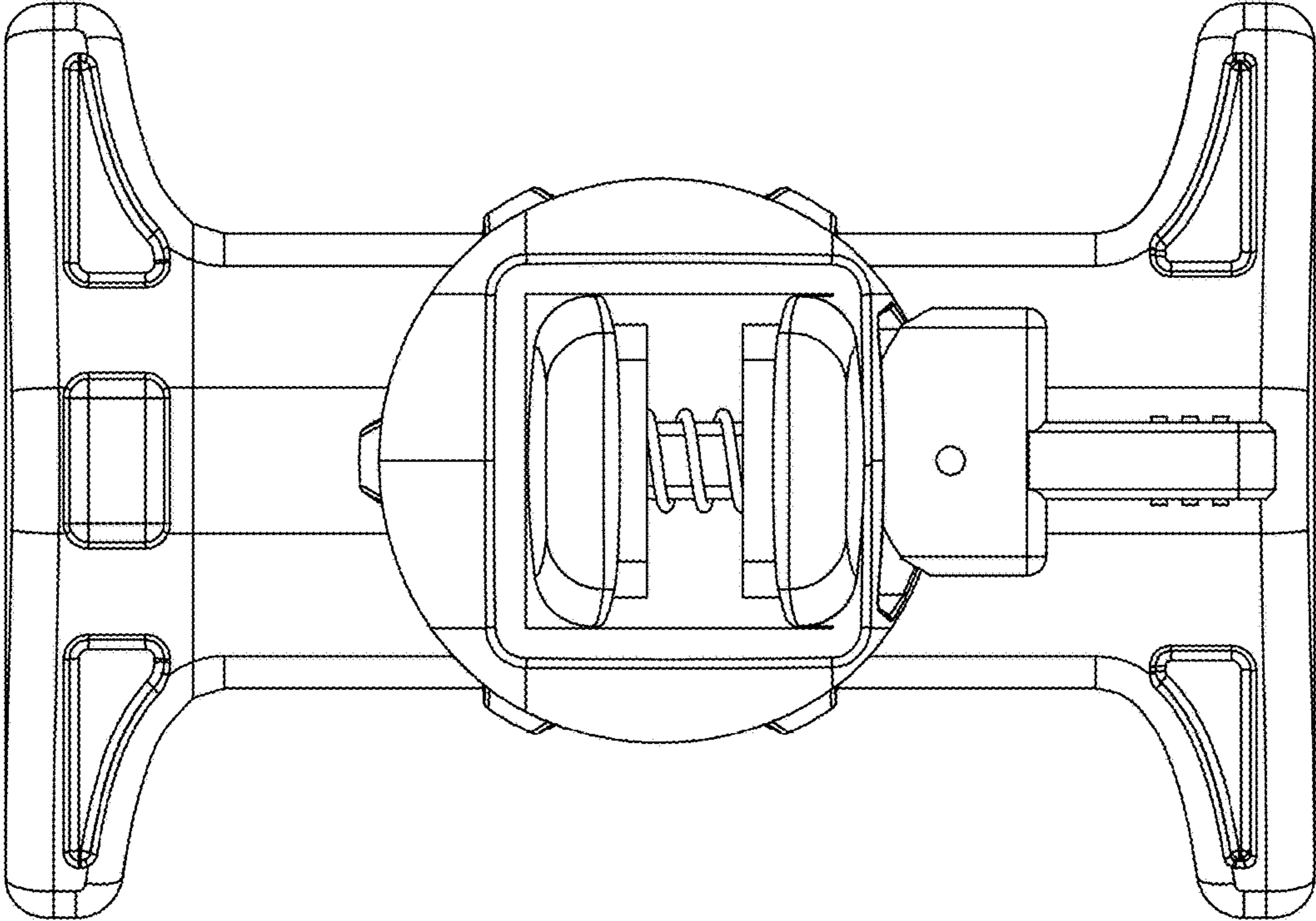


Fig. 3

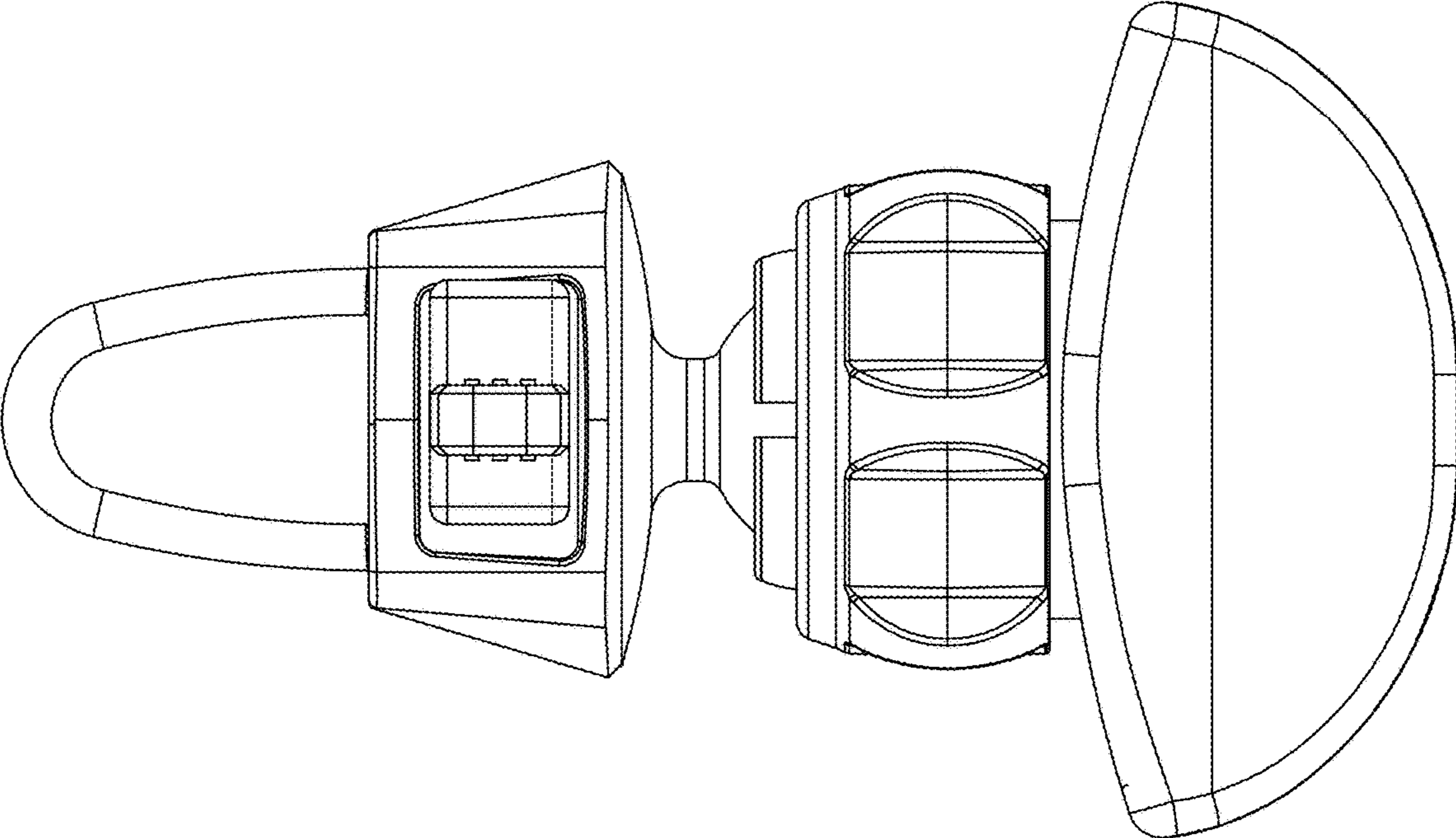


Fig. 4

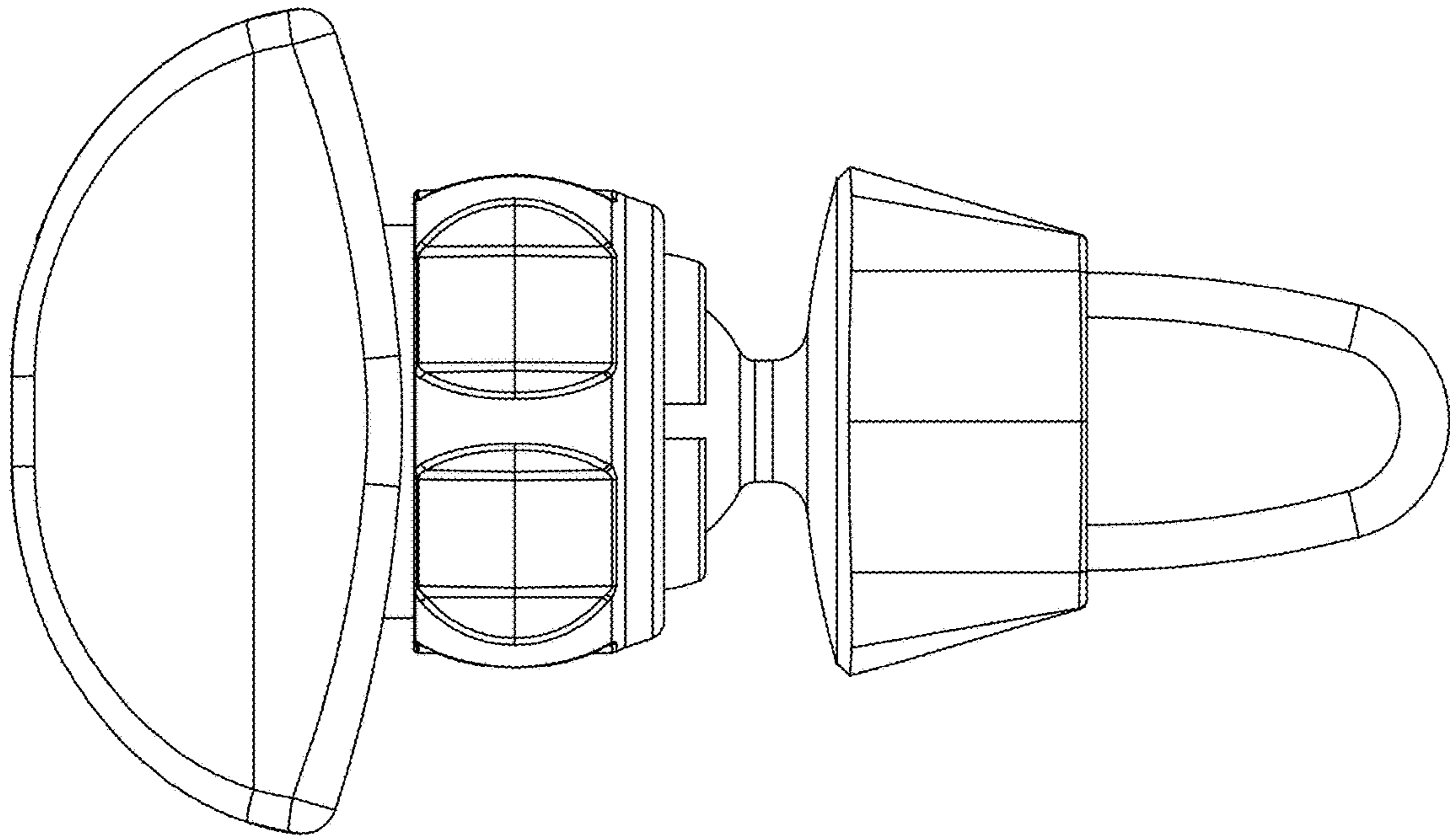


Fig. 5

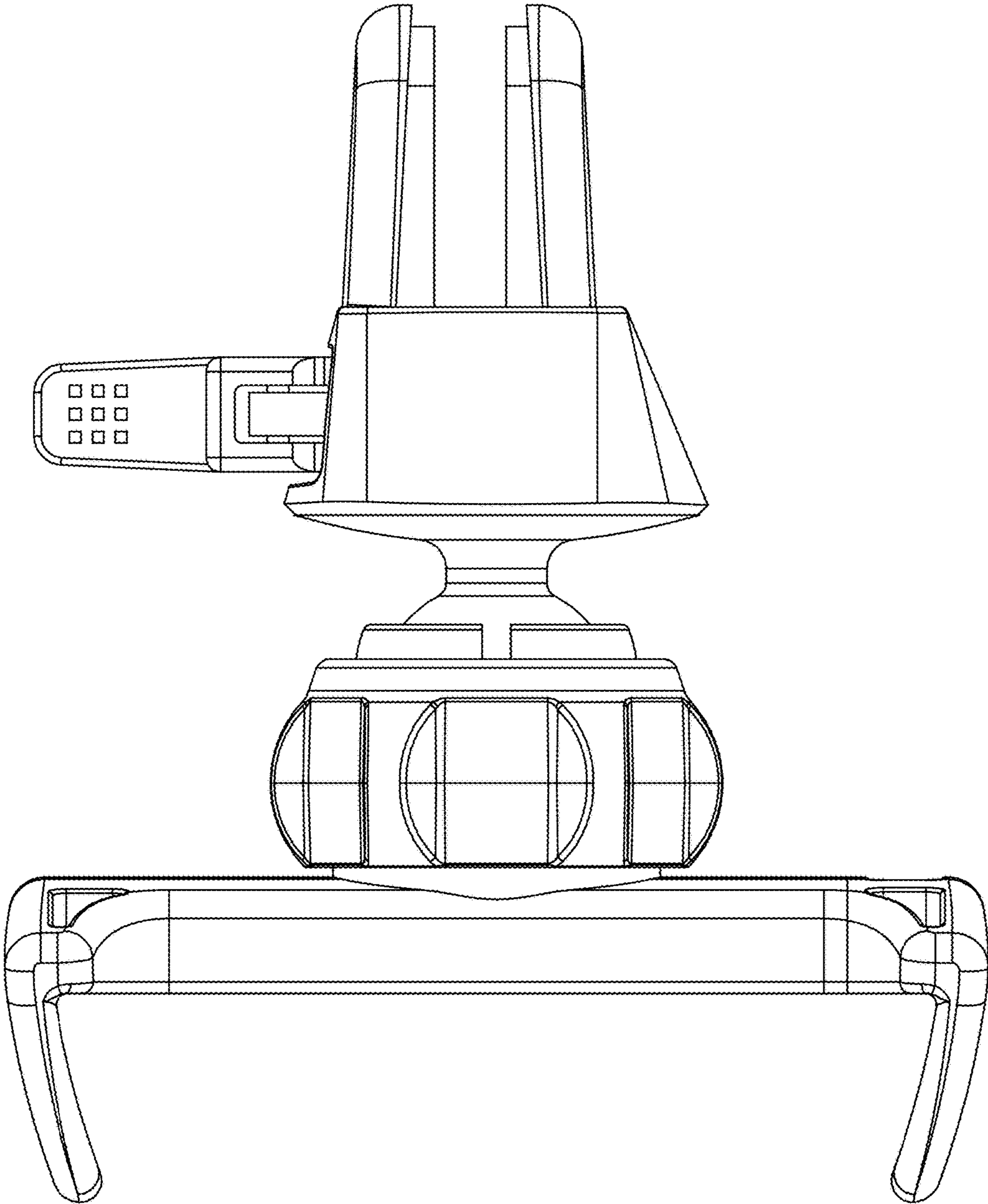


Fig. 6

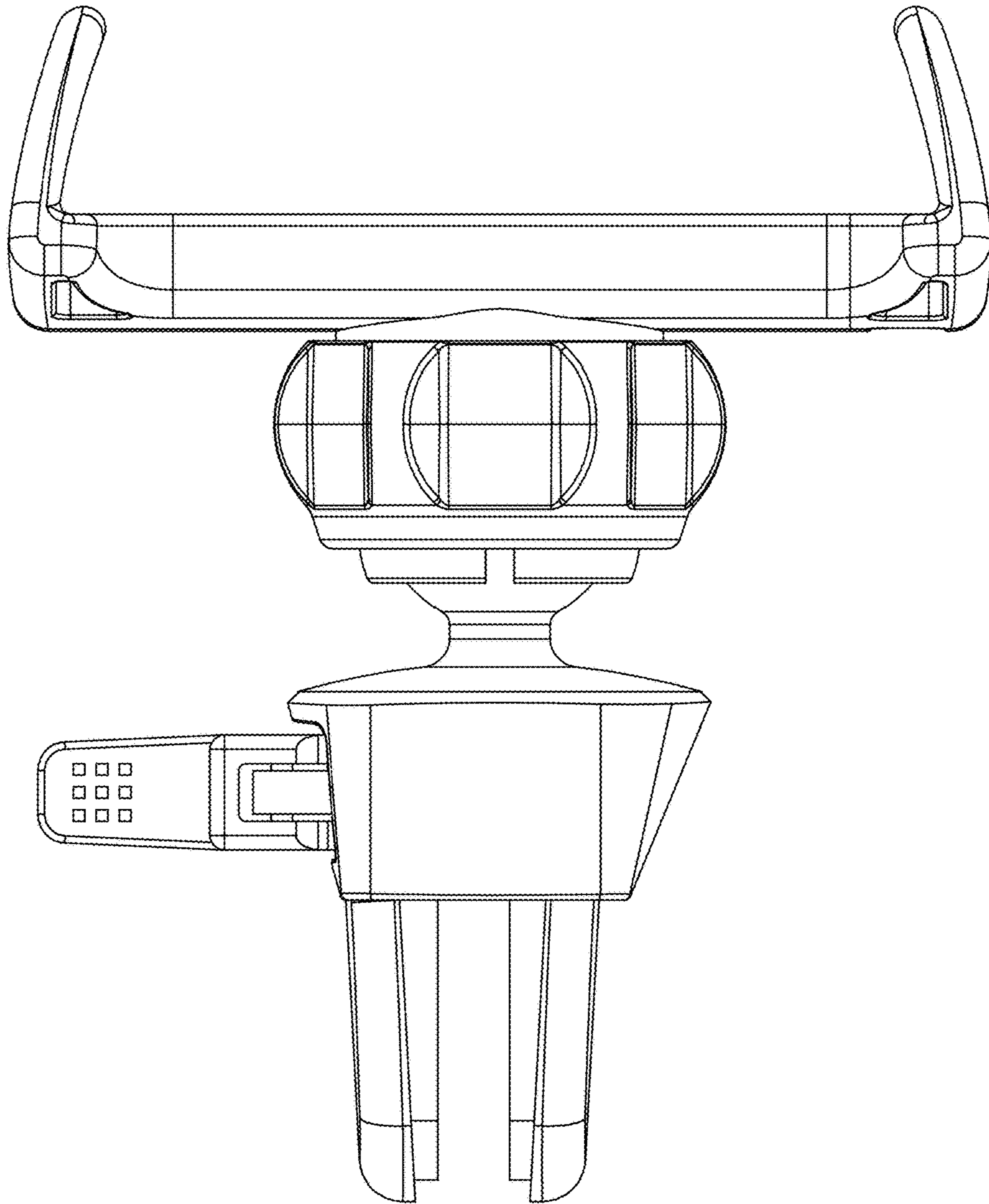


Fig. 7