



US00D796420S

(12) **United States Design Patent** (10) **Patent No.:** **US D796,420 S**  
**Abrams** (45) **Date of Patent:** **\*\* Sep. 5, 2017**

(54) **TAIL GATE VEIL**  
(71) Applicant: **Robert Abrams**, Sarasota, FL (US)  
(72) Inventor: **Robert Abrams**, Sarasota, FL (US)

(\*\*) Term: **15 Years**  
(21) Appl. No.: **29/566,455**  
(22) Filed: **May 31, 2016**

(51) **LOC (10) Cl.** ..... **12-16**  
(52) **U.S. Cl.**  
USPC ..... **D12/403**

(58) **Field of Classification Search**  
USPC ..... D12/401-405; D6/610, 611, 601-603,  
D6/615, 617, 621; D7/332, 334-337  
CPC ..... B62J 19/00; B62J 1/18; B62J 1/26; B62J  
1/24; B62J 1/28; B62J 1/22  
See application file for complete search history.

(56) **References Cited**

**U.S. PATENT DOCUMENTS**

D333,646 S \* 3/1993 Levy ..... D12/403  
D382,248 S \* 8/1997 Long ..... D12/403  
D397,669 S \* 9/1998 Komick ..... D12/403  
D503,143 S \* 3/2005 Napieraj ..... D12/403  
D516,497 S \* 3/2006 Napieraj ..... D12/403

D583,746 S \* 12/2008 Napieraj ..... D12/403  
D583,747 S \* 12/2008 Napieraj ..... D12/403  
D651,678 S \* 1/2012 Muggleton ..... D12/402  
D732,460 S \* 6/2015 Seneker et al. .... D12/403

\* cited by examiner

*Primary Examiner* — Katrina A Betton

(74) *Attorney, Agent, or Firm* — Larson & Larson, P.A.;  
Frank Liebenow

(57) **CLAIM**

The ornamental design for a tail gate veil, as shown and described.

**DESCRIPTION**

FIG. 1 is a front elevation view of a tail gate veil showing my new design;  
FIG. 2 is a rear elevation view thereof;  
FIG. 3 is a left side elevation view thereof shown in the context of a vehicle, the broken lines depicting an exemplary vehicle which is environmental subject matter only and forms no part of the claimed design;  
FIG. 4 is a right side elevation view thereof;  
FIG. 5 is a top plan view thereof;  
FIG. 6 is a bottom plan view thereof; and,  
FIG. 7 is a perspective view thereof.  
The broken lines depicting an exemplary vehicle with an open lift gate in FIG. 3 depicts environmental subject matter only and forms no part of the claimed design.

**1 Claim, 7 Drawing Sheets**

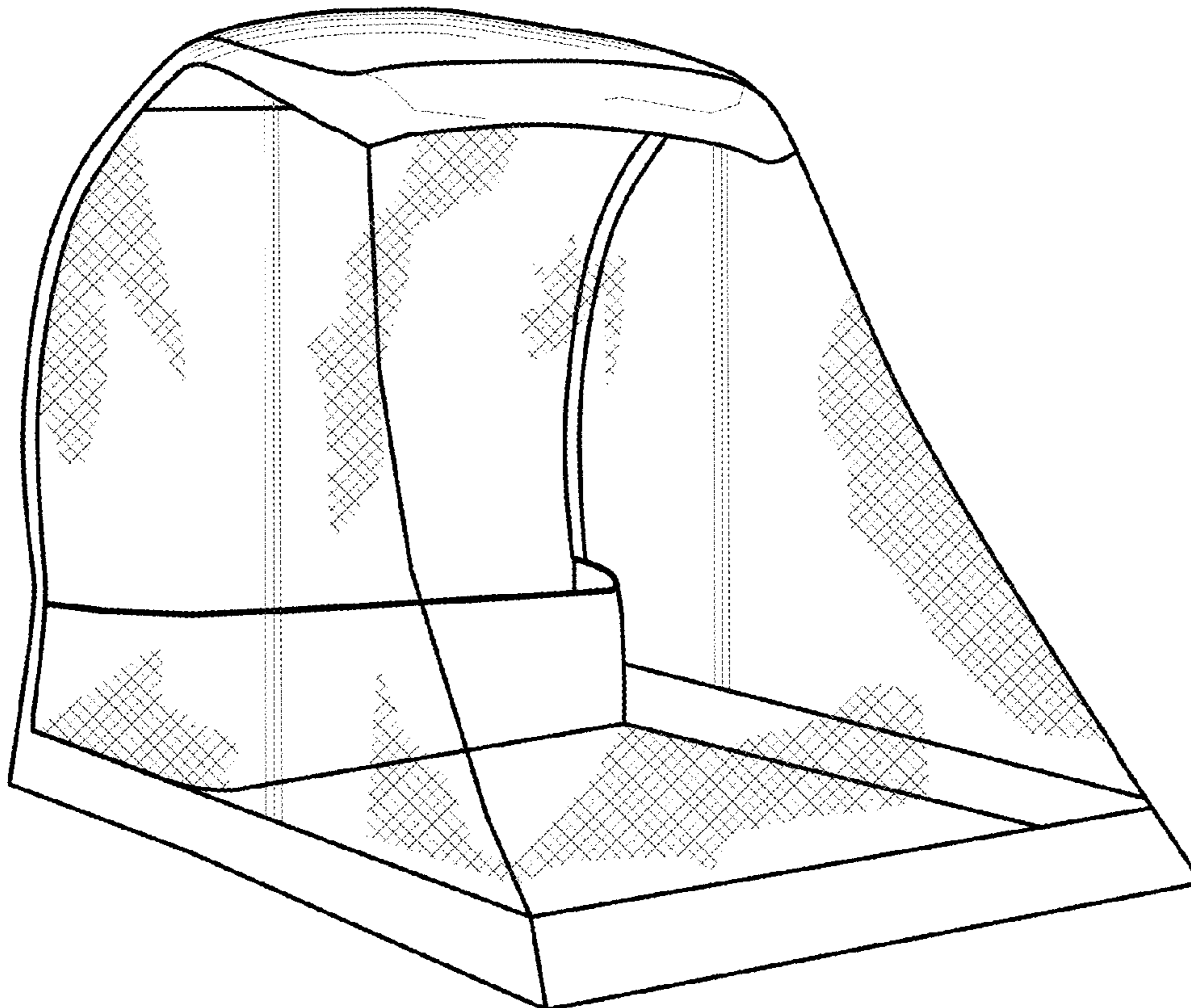


Fig. 1

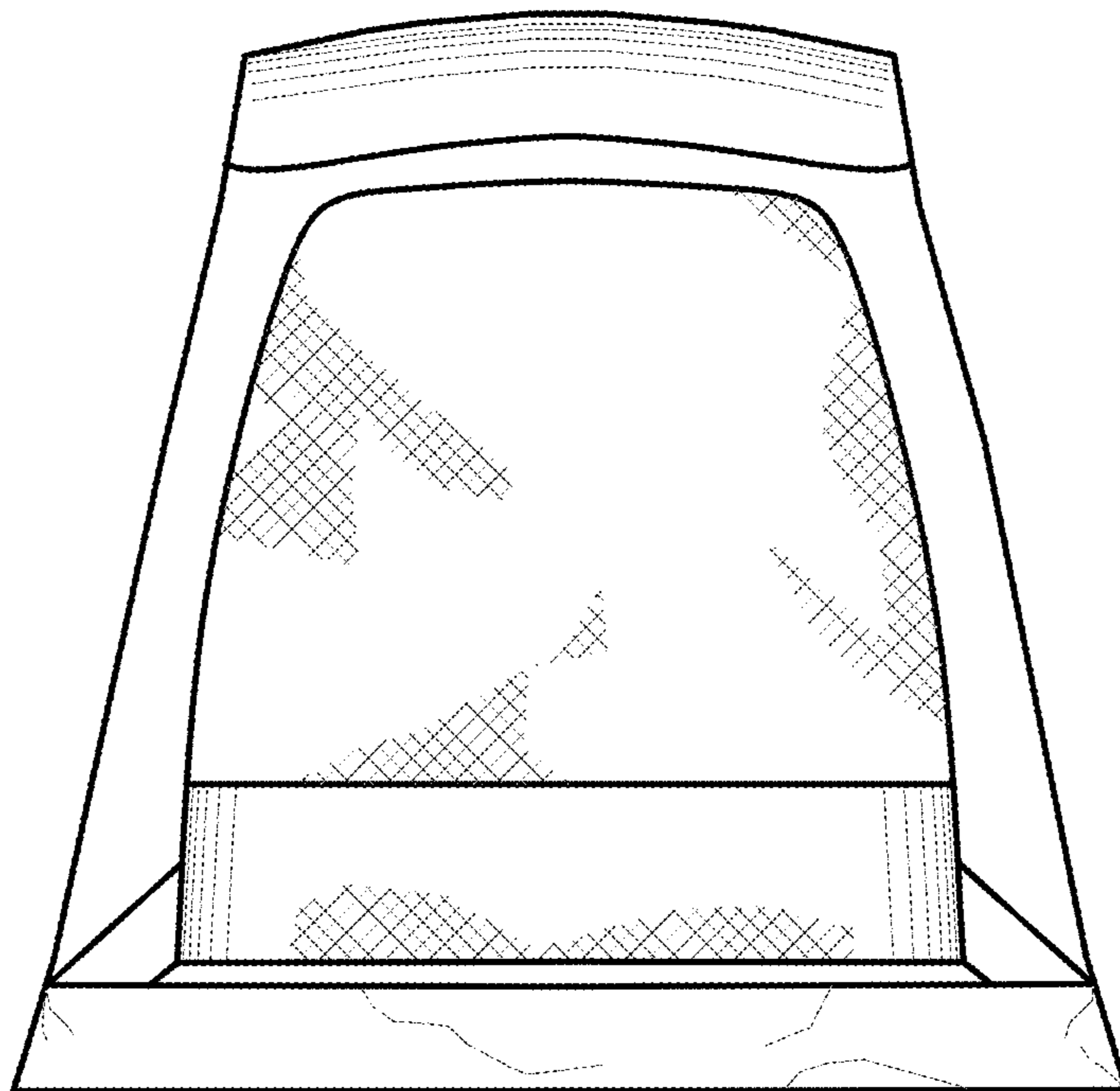


Fig. 2

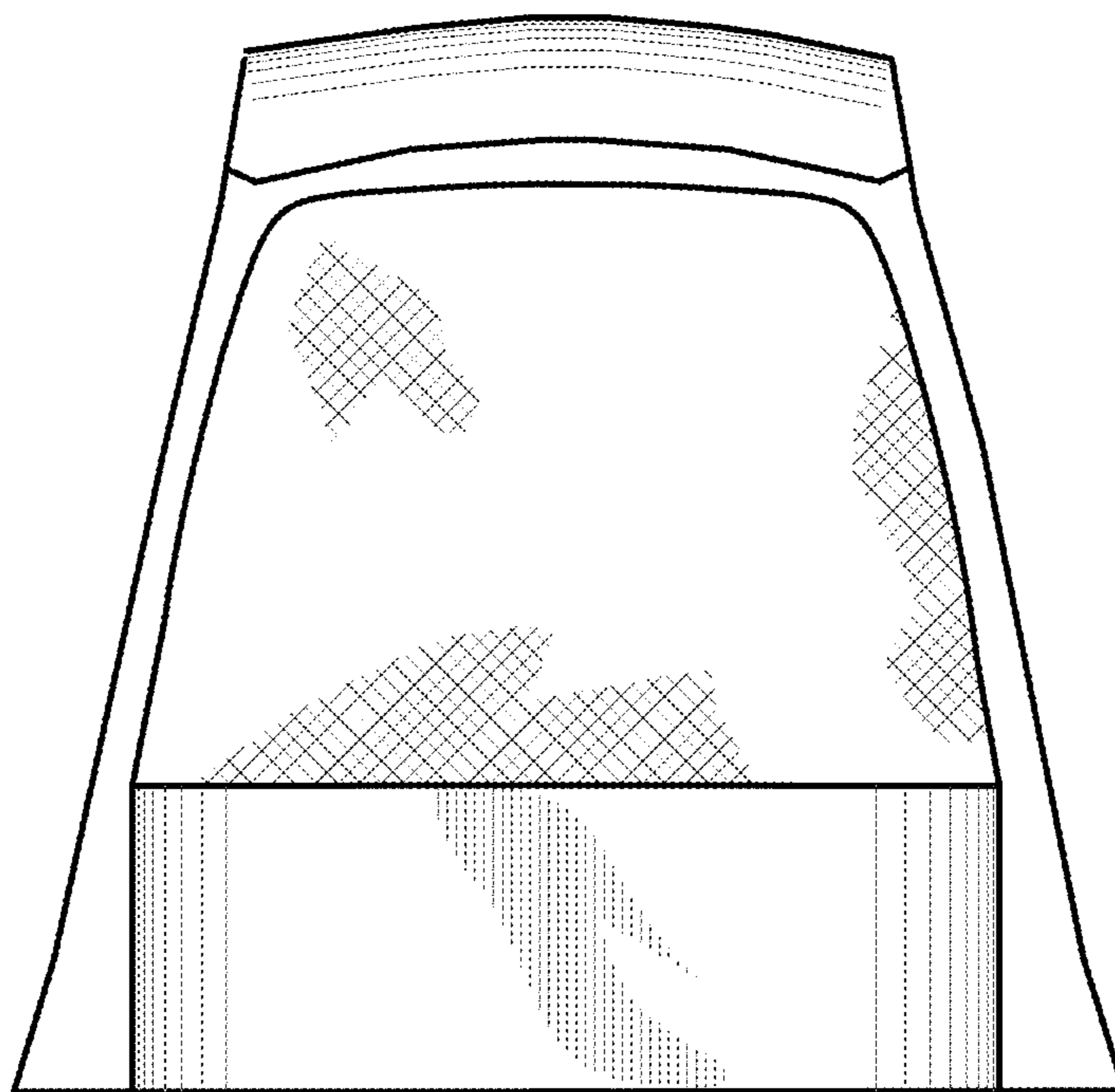


Fig. 3

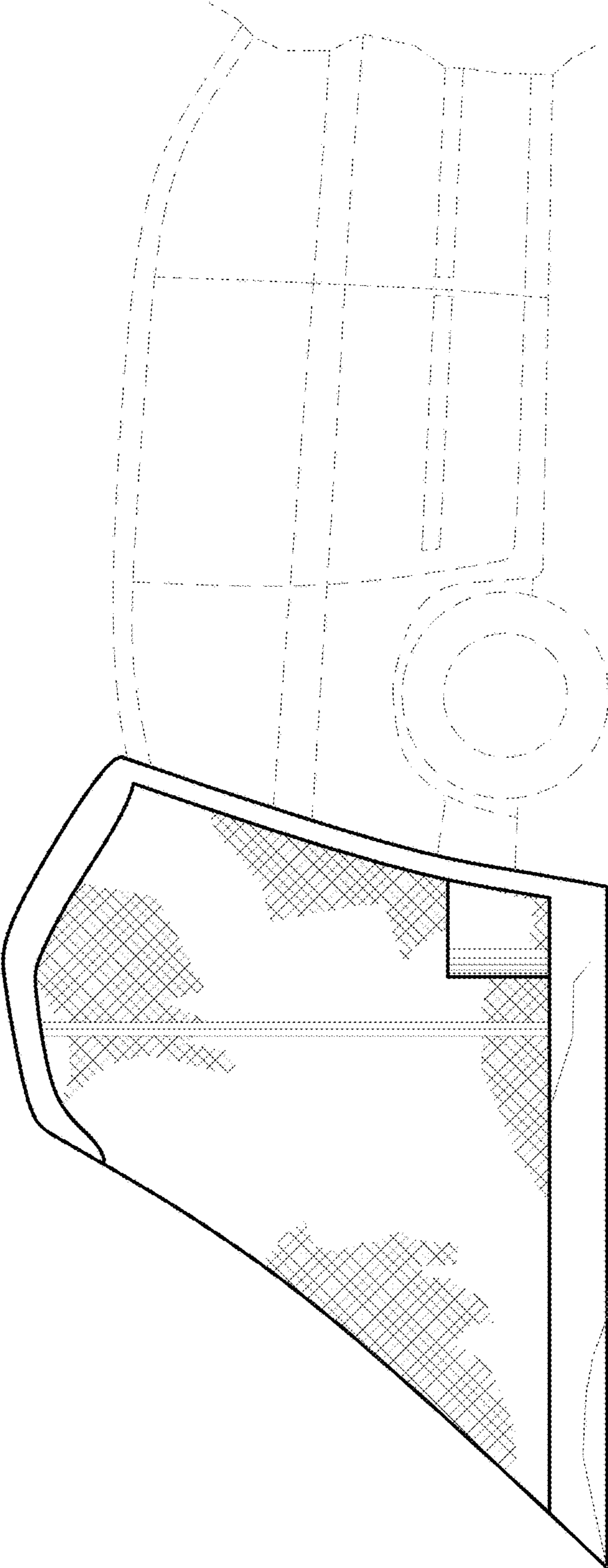


Fig. 4

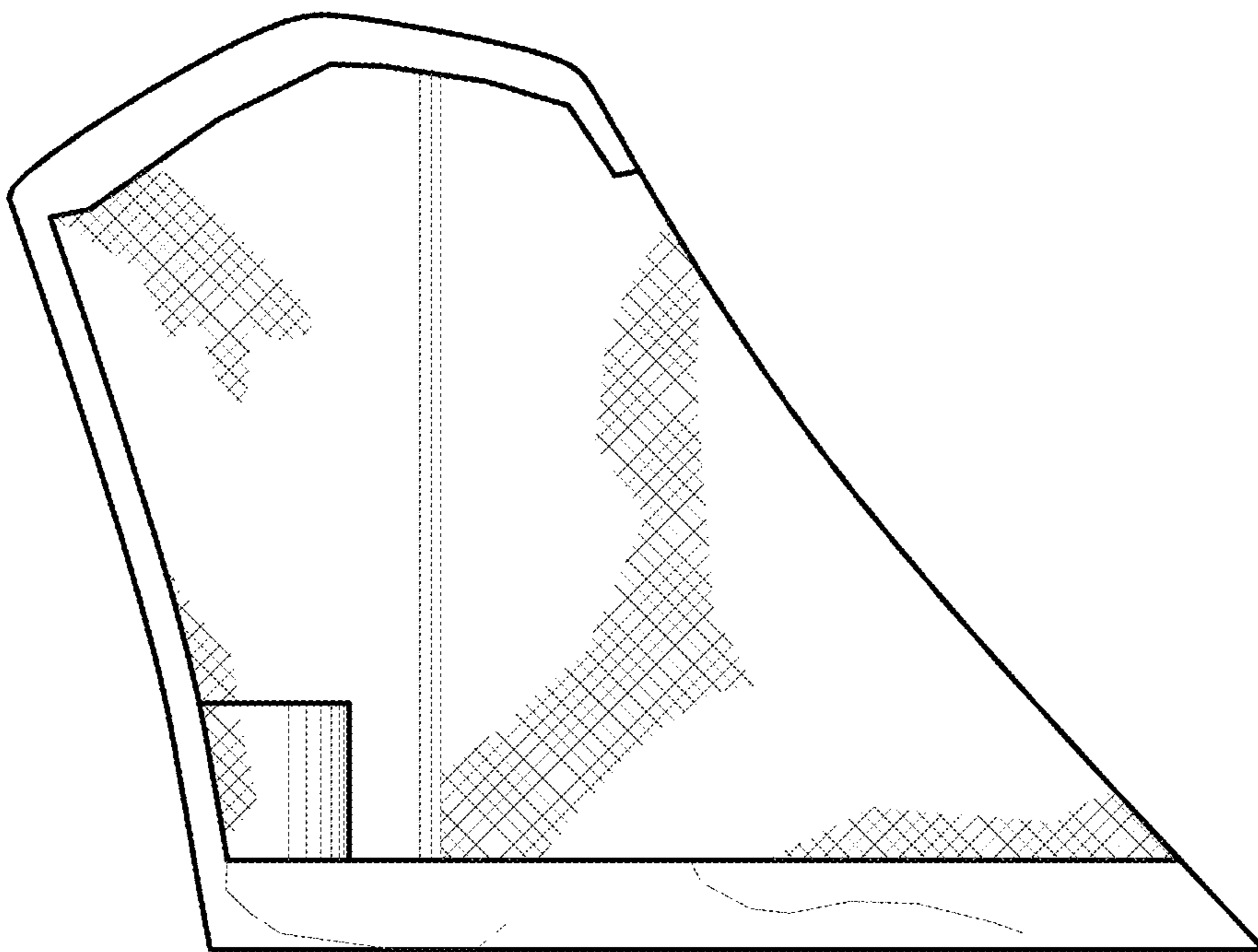




Fig. 5

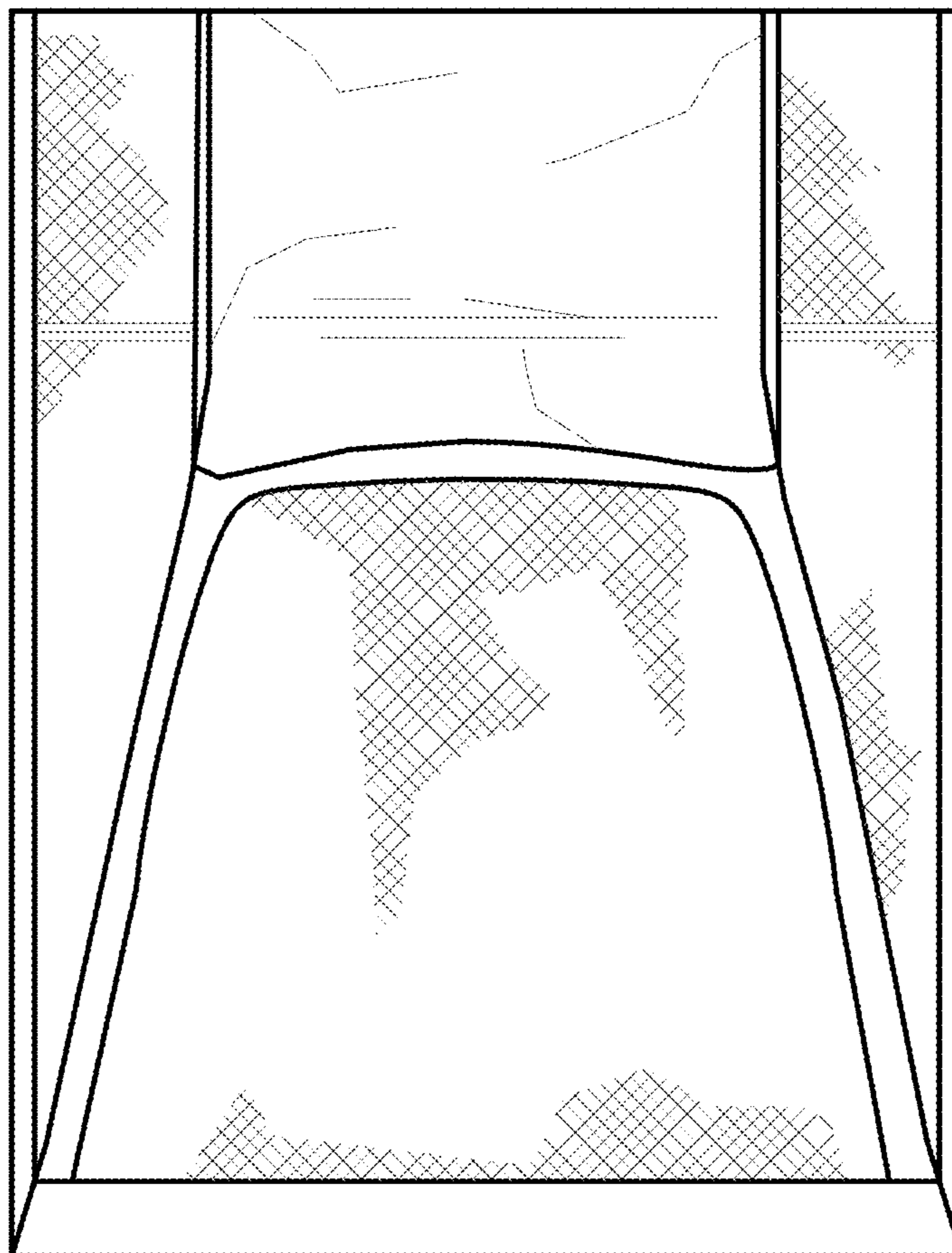


Fig. 6

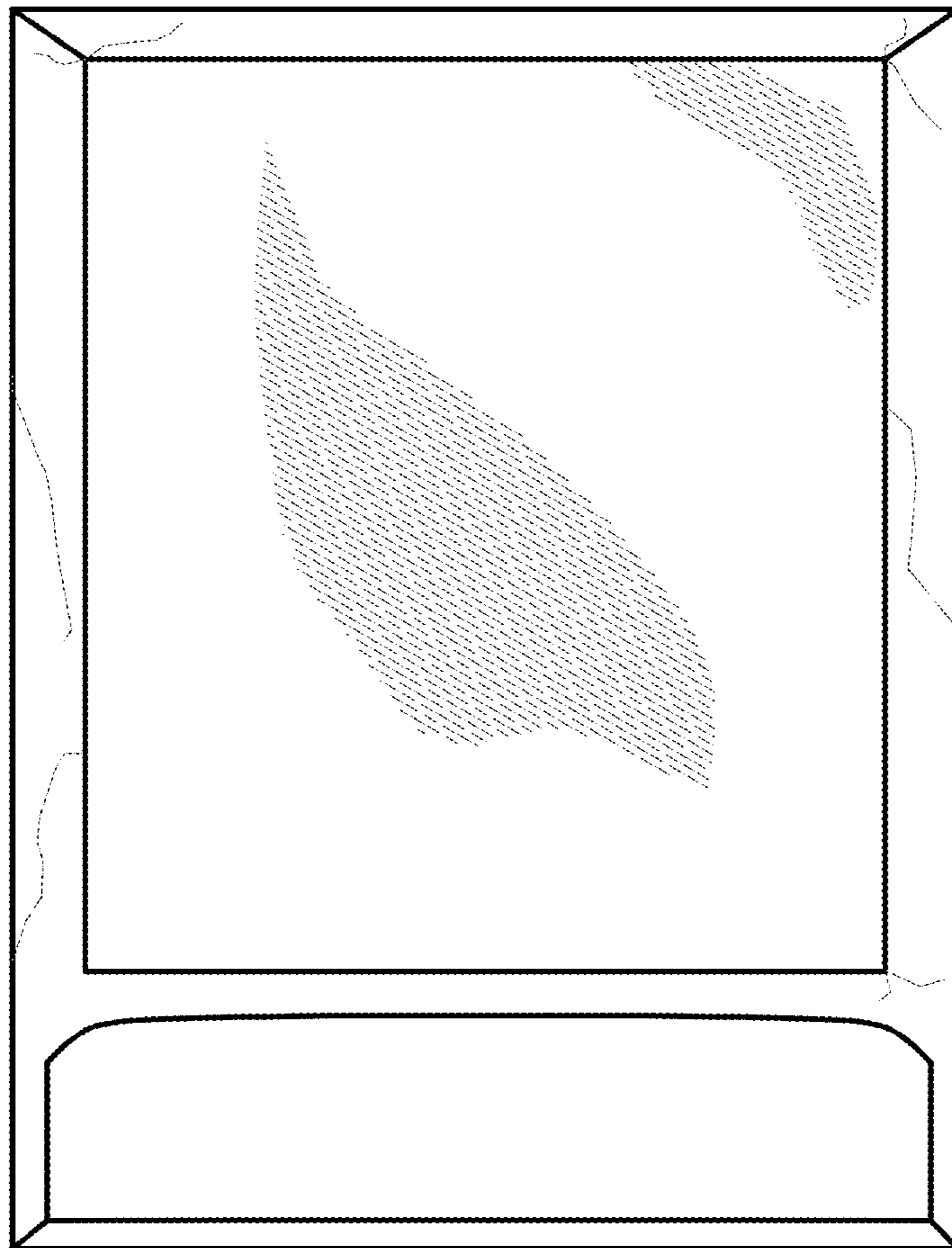


Fig. 7

