



US00D796419S

(12) **United States Design Patent** (10) **Patent No.:** **US D796,419 S**  
**Sausaman et al.** (45) **Date of Patent:** **\*\* Sep. 5, 2017**

(54) **VAN ROOF**  
(71) Applicant: **Independent Protection Company, Inc.**, Goshen, IN (US)  
(72) Inventors: **Matt Sausaman**, Syracuse, IN (US); **Scott Jacobson**, Nappanee, IN (US); **Dusty Nabinger**, Leesburg, IN (US); **Shannon Sausaman**, Leesburg, IN (US)  
(73) Assignee: **Independent Protection Co., Inc.**, Goshen, IN (US)  
(\*\*) Term: **15 Years**  
(21) Appl. No.: **29/557,939**  
(22) Filed: **Mar. 14, 2016**  
(51) **LOC (10) Cl.** ..... **12-16**  
(52) **U.S. Cl.**  
USPC ..... **D12/401**  
(58) **Field of Classification Search**  
USPC ..... D12/401-405  
CPC ..... A47D 15/00; A47C 7/66; A47C 31/00; A47G 9/068  
See application file for complete search history.

5,934,739 A 8/1999 Waldeck  
D414,135 S 9/1999 Gerisch et al.  
5,947,519 A 9/1999 Aloe et al.  
6,092,865 A 7/2000 Jaekel et al.  
6,123,378 A 9/2000 Teply et al.  
D514,056 S \* 1/2006 Nadeau ..... D12/401  
7,000,978 B1 2/2006 Messano  
7,322,106 B2 1/2008 Marando et al.  
7,357,448 B2 4/2008 Chen et al.  
7,390,052 B2 6/2008 Bertoch et al.  
7,549,696 B1 6/2009 Timmermans et al.  
7,862,101 B2 1/2011 Lusk et al.  
8,038,205 B2 10/2011 Hedderly  
8,042,863 B2 10/2011 Nydam  
8,424,961 B2 4/2013 Carsley et al.  
D708,557 S 7/2014 Grech  
D723,450 S \* 3/2015 Holubar ..... D12/401  
D728,450 S \* 5/2015 Yen ..... D12/401  
D741,230 S 10/2015 Marchi  
D772,781 S \* 11/2016 Romer ..... D12/401

\* cited by examiner

*Primary Examiner* — Katrina A Betton  
(74) *Attorney, Agent, or Firm* — Woodard, Emhardt, Moriarty, McNett & Henry, LLP; Charles Meyer

(57) **CLAIM**

The ornamental design for a van roof, as shown and described.

**DESCRIPTION**

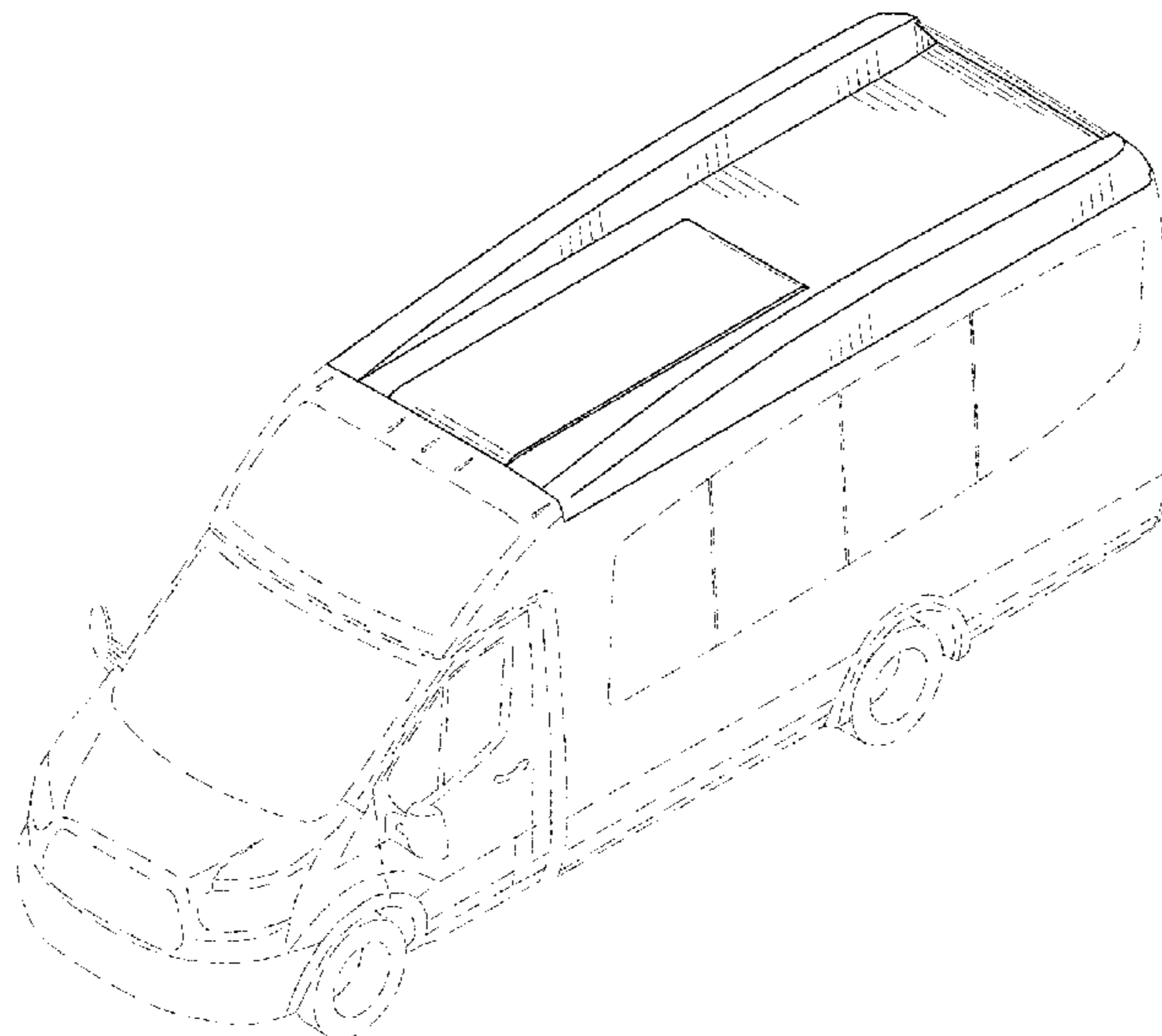
FIG. 1 is a perspective view of a van including the claimed van roof.  
FIG. 2 is a top view of the van with the van roof in FIG. 1.  
FIG. 3 is a right side view of the van with van the roof.  
FIG. 4 is a left side view of the van with the van roof.  
FIG. 5 is a front view of the van with the van roof; and,  
FIG. 6 is a rear view of the van with the van roof.  
The broken lines in the drawings illustrate subject matter which forms no part of the claimed design.

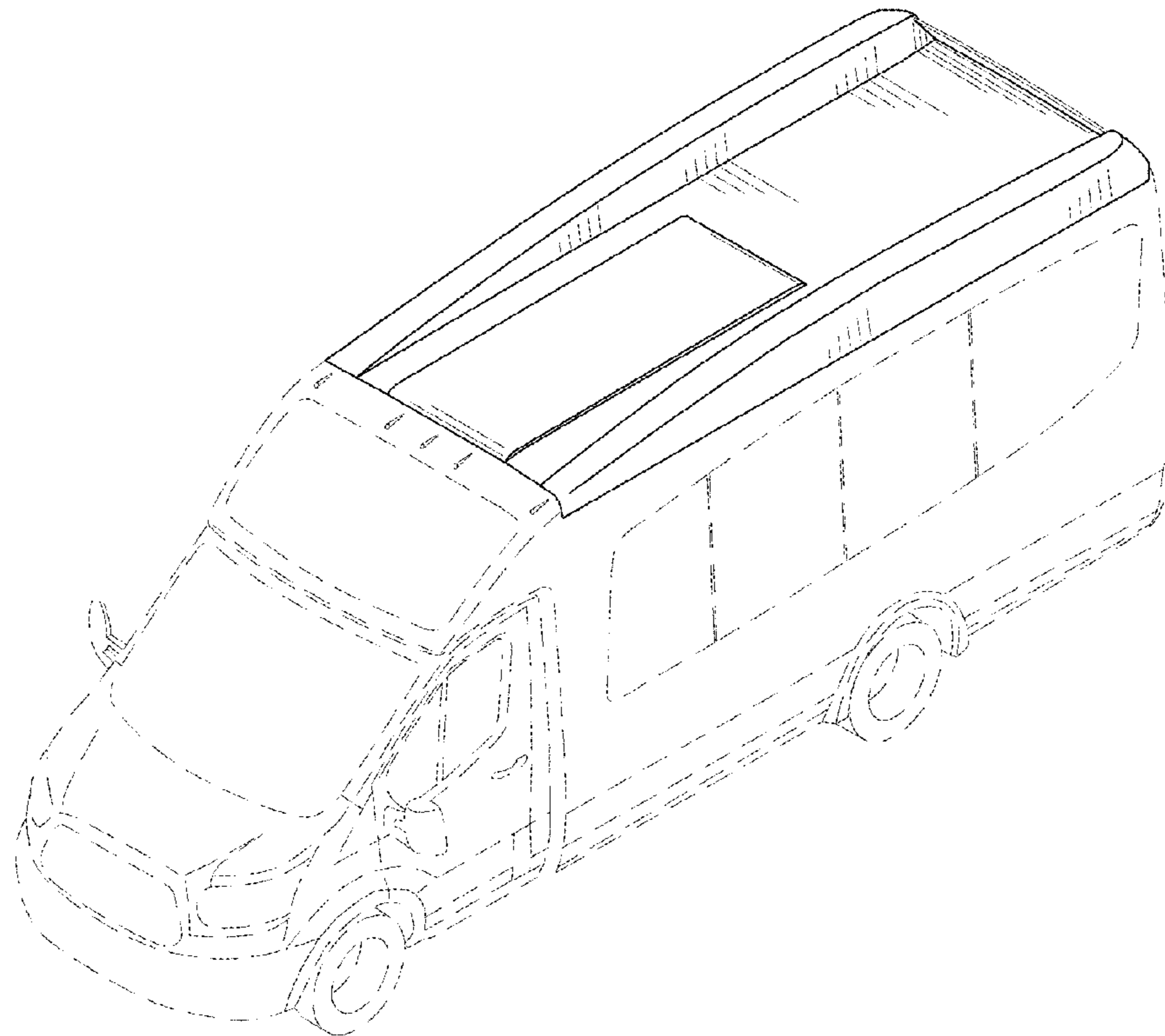
**1 Claim, 3 Drawing Sheets**

(56) **References Cited**

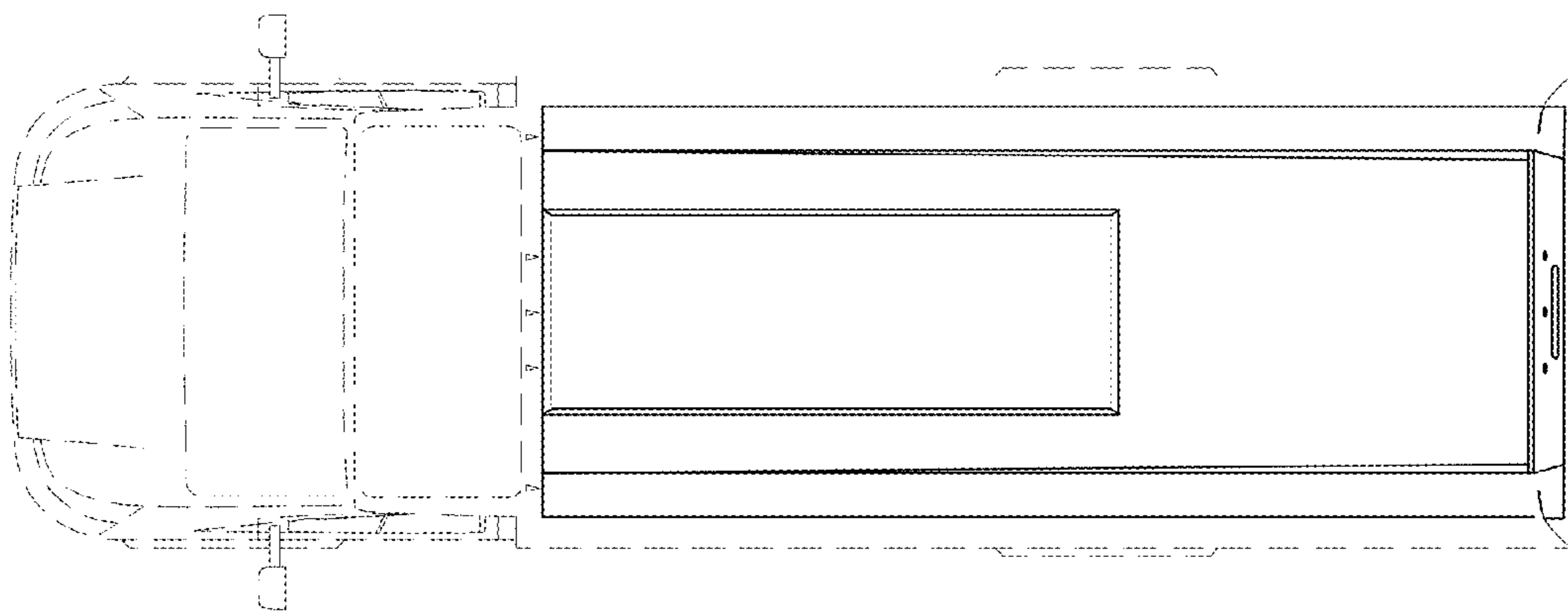
U.S. PATENT DOCUMENTS

4,007,567 A 2/1977 Mooney et al.  
D249,495 S 9/1978 Wallace et al.  
D269,007 S \* 5/1983 Rastegar ..... D12/401  
D285,059 S \* 8/1986 Nardi ..... D12/404  
D286,394 S \* 10/1986 Johnson ..... D12/401  
D310,984 S \* 10/1990 Mayhew ..... D12/401  
D319,608 S 9/1991 Dodgen  
D319,611 S \* 9/1991 Thomas, Jr. .... D12/404  
5,131,714 A 7/1992 Evans, Sr. et al.  
5,218,792 A 6/1993 Cooper  
D362,423 S \* 9/1995 Thomas, Jr. .... D12/401

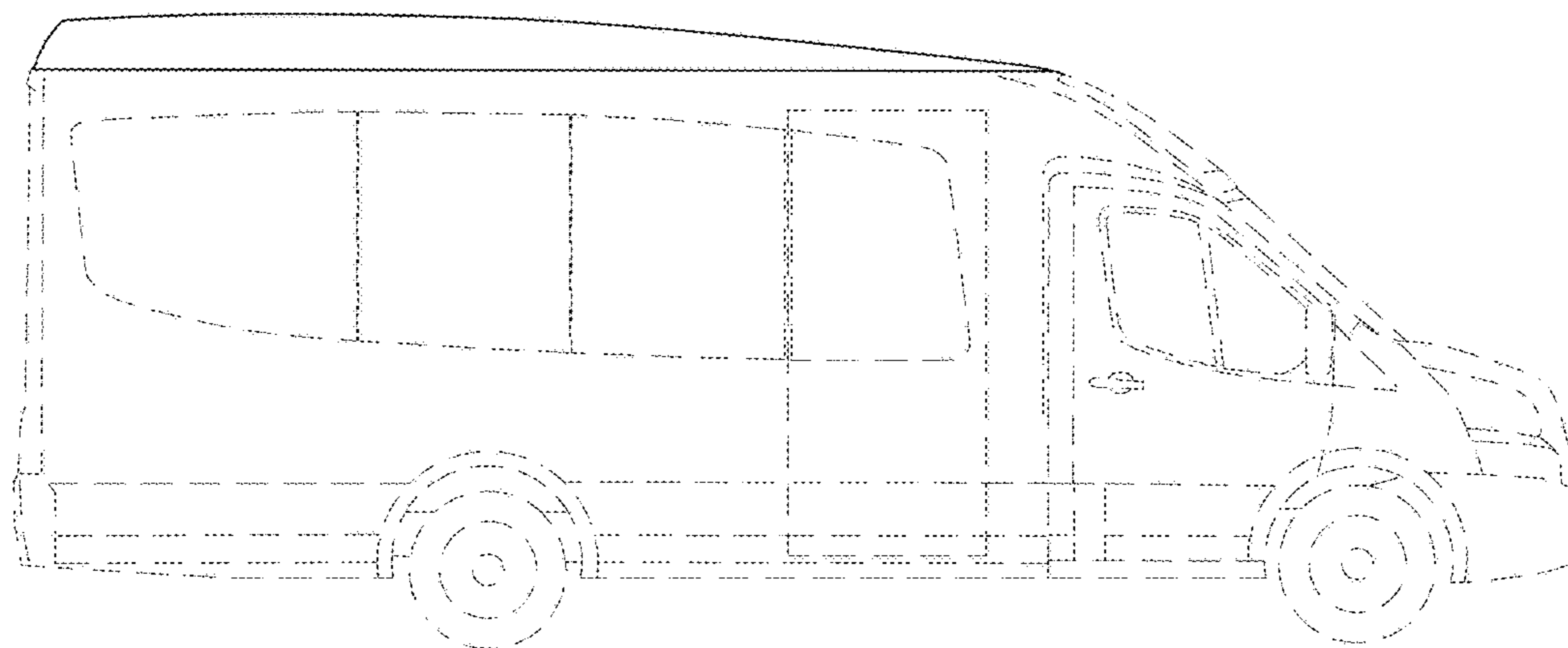




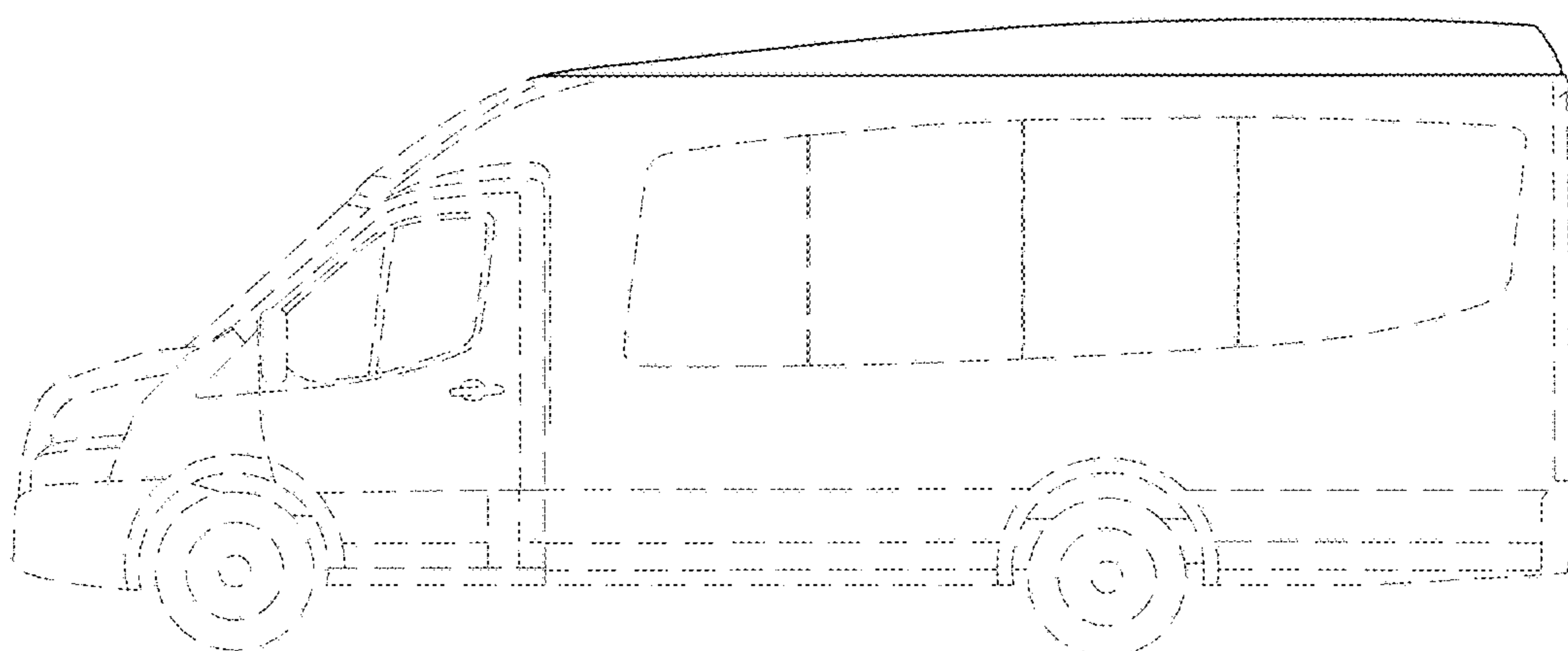
**Fig. 1**



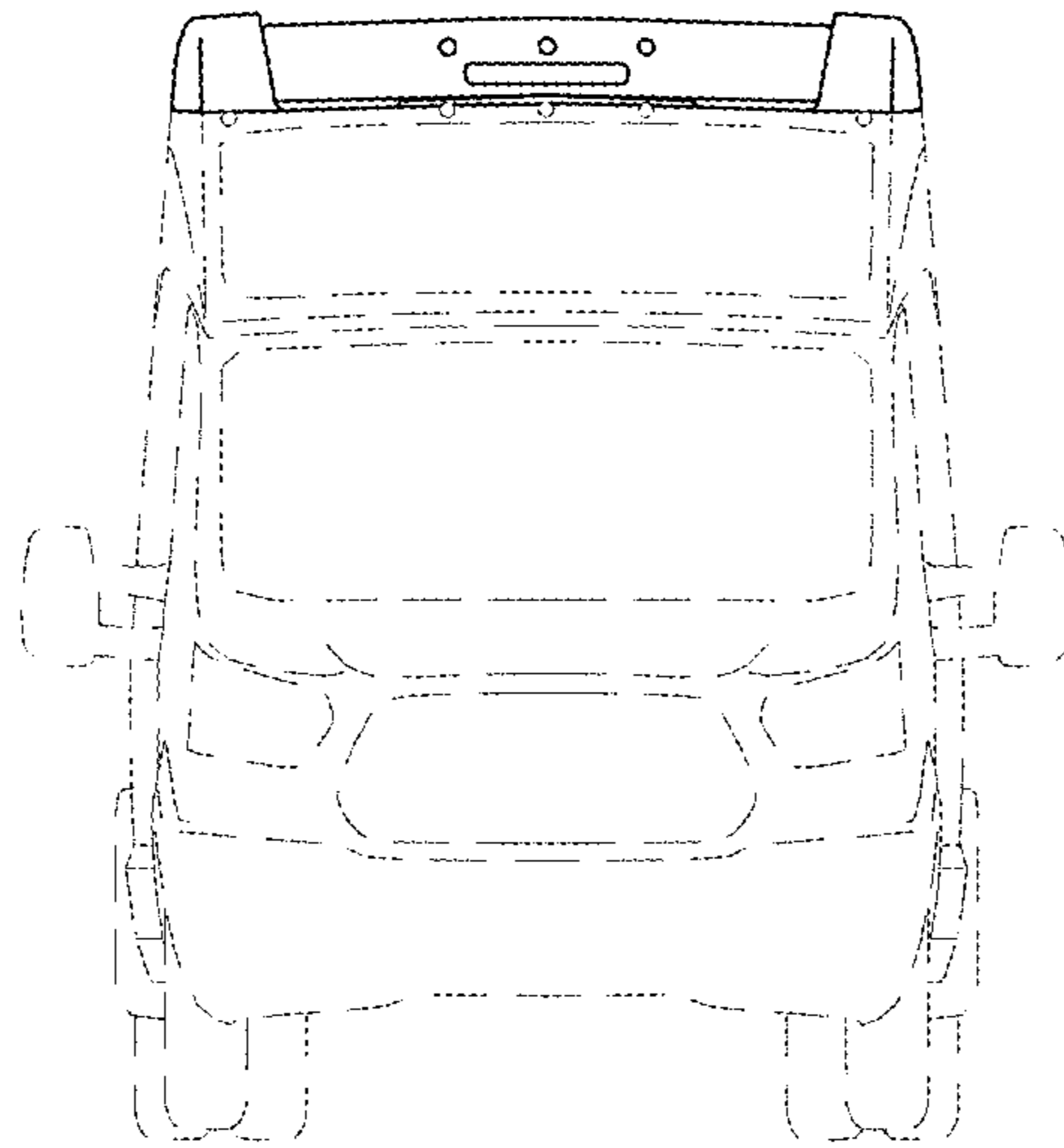
**Fig. 2**



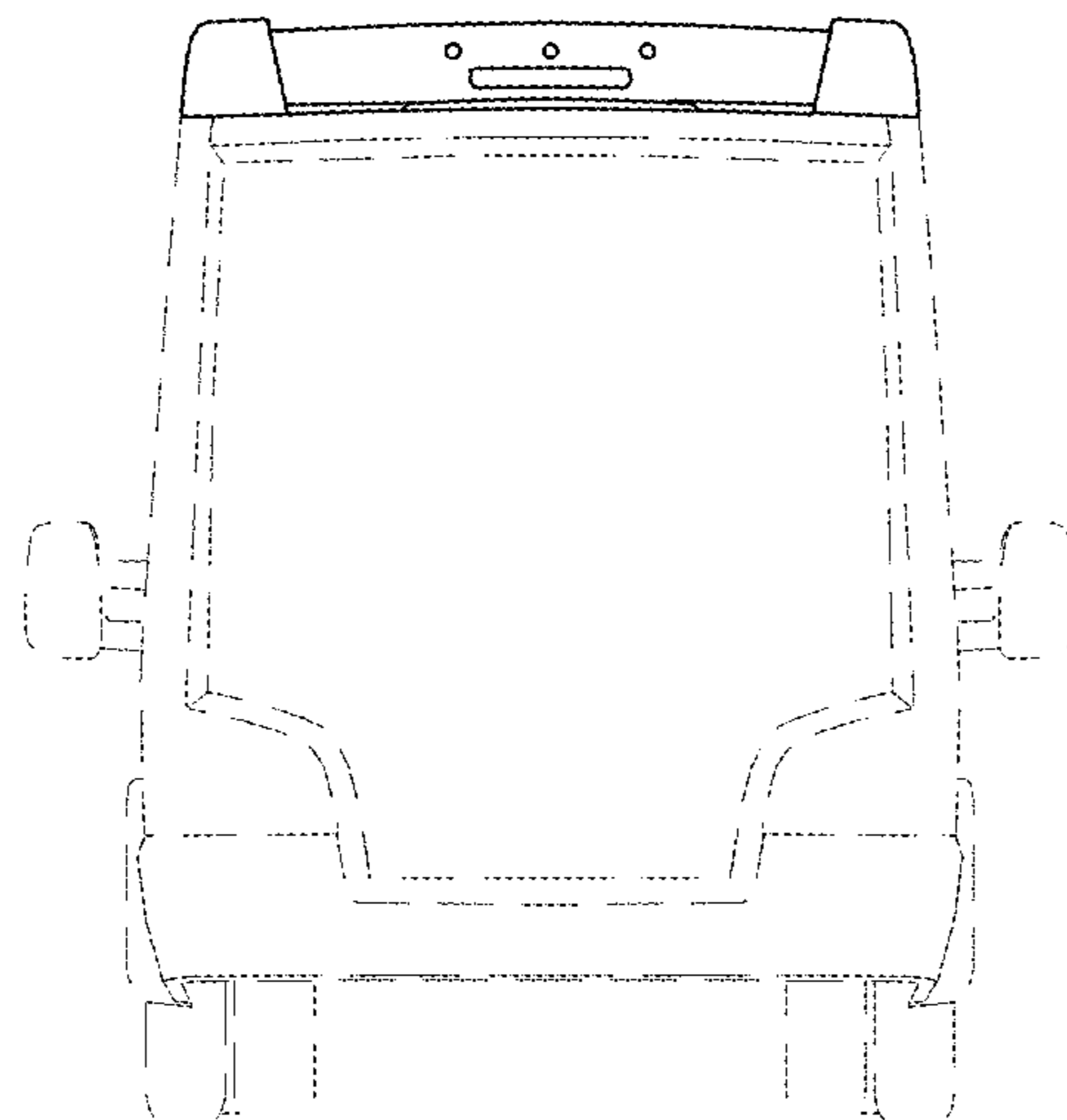
**Fig. 3**



**Fig. 4**



**Fig. 5**



**Fig. 6**