



US00D796416S

(12) **United States Design Patent** (10) **Patent No.:** **US D796,416 S**  
**Spafford** (45) **Date of Patent:** **\*\* Sep. 5, 2017**

(54) **VEHICLE UMBRELLA RECEPTACLE**  
(71) Applicant: **Jamie Wayne Spafford**, Alcoa, TN (US)  
(72) Inventor: **Jamie Wayne Spafford**, Alcoa, TN (US)  
(73) Assignee: **Tailbrella, LLC**, Alcoa, TN (US)  
(\*\*) Term: **15 Years**  
(21) Appl. No.: **29/537,215**  
(22) Filed: **Aug. 24, 2015**  
(51) **LOC (10) Cl.** ..... **12-16**  
(52) **U.S. Cl.**  
USPC ..... **D12/400**  
(58) **Field of Classification Search**  
USPC ..... D12/107, 110, 114, 115, 117, 126, 400, D12/401, 404, 415, 423, 179; D25/48.1, D25/48.3  
CPC . B60R 1/025; B60R 1/08; B62H 5/001; B62J 9/006; B65D 43/16; B65D 43/22; B65D 55/02; F21S 48/00; G01S 13/931  
See application file for complete search history.

6,227,517 B1 \* 5/2001 Wohl ..... B60D 1/36 248/694  
6,305,394 B1 10/2001 Reese  
6,412,506 B1 7/2002 Reese  
6,511,088 B2 1/2003 Kahlstorf  
6,607,002 B2 8/2003 Reese  
D484,076 S \* 12/2003 O'Malley ..... D12/162  
D485,218 S \* 1/2004 Bentley ..... D12/162  
6,722,380 B1 4/2004 Hafer  
7,334,593 B2 2/2008 Avery  
(Continued)

**OTHER PUBLICATIONS**

Golf Cart Umbrella Holder, image post date May 22, 2012, site visited Apr. 19, 2017, (online), <<https://www.tineye.com/search/7dbe04e4cf2593fbaba98c513472b3aa038016ad/>>.\*

(Continued)

*Primary Examiner* — Kevin Rudzinski  
*Assistant Examiner* — Sean D Lough  
(74) *Attorney, Agent, or Firm* — Pitts & Lake, P.C.

(57) **CLAIM**

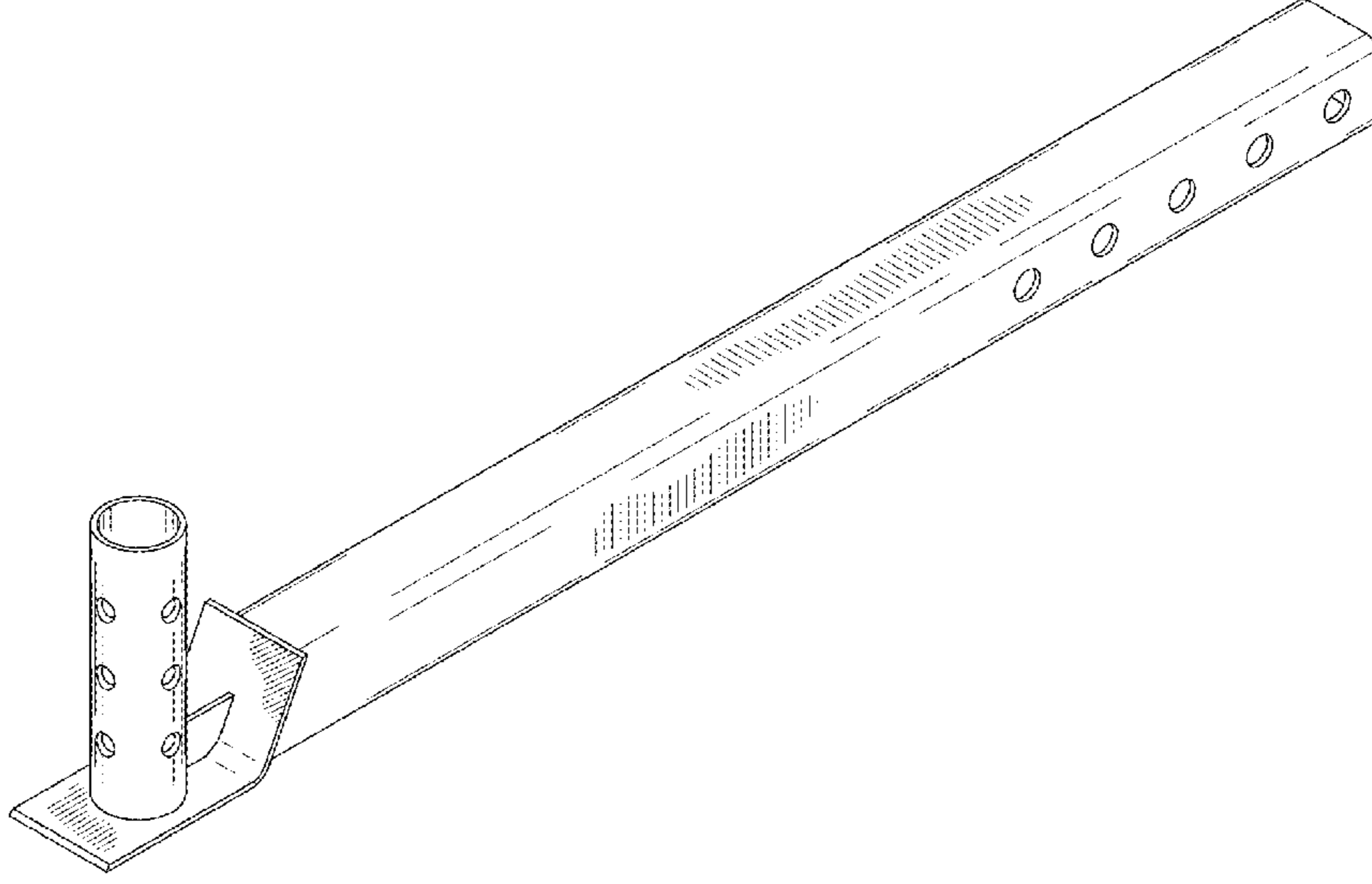
I claim the ornamental design for a vehicle umbrella receptacle, as shown and described.

**DESCRIPTION**

FIG. 1 is a perspective view of one embodiment of a design of the present invention for a vehicle umbrella receptacle; FIG. 2 is a top view the vehicle umbrella receptacle of FIG. 1; FIG. 3 is a bottom view of the vehicle umbrella receptacle of FIG. 1; FIG. 4 is a side elevation view of the vehicle umbrella receptacle of FIG. 1; FIG. 5 is a front elevation view of the vehicle umbrella receptacle of FIG. 1; and, FIG. 6 is a rear elevation view of the vehicle umbrella receptacle of FIG. 1.

**1 Claim, 3 Drawing Sheets**

(56) **References Cited**  
U.S. PATENT DOCUMENTS  
4,519,409 A 5/1985 Kenney  
5,226,657 A \* 7/1993 Dolphin ..... B60D 1/42 280/478.1  
5,374,024 A 12/1994 Williams  
5,518,159 A \* 5/1996 DeGuevara ..... B60R 9/10 224/282  
5,857,741 A 1/1999 Anderson  
5,911,399 A 6/1999 Mannion  
5,950,617 A 9/1999 Lorenz  
6,082,269 A 7/2000 Padberg  
6,089,246 A 7/2000 Barnes  
6,189,458 B1 2/2001 Rivera



(56)

References Cited

U.S. PATENT DOCUMENTS

7,338,062 B1 \* 3/2008 Violette ..... B60D 1/40  
280/478.1

7,568,491 B2 8/2009 Banfill et al.

D612,775 S \* 3/2010 Davis ..... D12/162

D618,142 S \* 6/2010 Hancock ..... D12/162

D623,561 S \* 9/2010 Tambornino ..... D12/162

D623,572 S \* 9/2010 Griffin ..... D12/179

D624,466 S \* 9/2010 Peterson ..... D12/162

7,819,128 B2 10/2010 Clark et al.

D626,895 S \* 11/2010 Tambornino ..... D12/162

8,123,190 B2 2/2012 Kost

D685,315 S \* 7/2013 Hayes ..... D12/415

D685,701 S \* 7/2013 Lake ..... D12/179

8,485,207 B1 7/2013 Boyington

8,561,960 B2 10/2013 Sinclair

8,602,440 B2 \* 12/2013 Kenjora ..... B60D 1/01  
280/504

D700,793 S \* 3/2014 Marinelli ..... D6/675

D735,555 S \* 8/2015 Tajdus ..... D8/354

D735,812 S \* 8/2015 Delgatty ..... D21/423

D738,264 S \* 9/2015 Williams ..... D12/115

D738,662 S \* 9/2015 Owens ..... A47C 1/0345  
D6/716.7

9,156,339 B1 \* 10/2015 Perez ..... B60J 11/04

9,180,800 B2 \* 11/2015 Otta ..... B60N 2/005

9,499,104 B2 \* 11/2016 Hux ..... B60R 9/06

D779,384 S \* 2/2017 Greiner ..... D12/111

D779,559 S \* 2/2017 Micken ..... D15/5

2005/0241546 A1 11/2005 Royse

2006/0162622 A1 7/2006 Fisher

2006/0254635 A1 11/2006 Matheus et al.

2013/0223087 A1 \* 8/2013 Mueller ..... B60R 13/0243  
362/511

OTHER PUBLICATIONS

Trailer Hitches, image post date 1995, site visited Apr. 19, 2017, (online), <<http://www.ebay.com/bhp/trailer-hitch>>.\*

Trailer Hitch Umbrella Holder, image post date Jan. 27, 2015, site visited Apr. 19, 2017, (online), <<http://www.mistercoolz.com/trailer-hitch-umbrella-holder>>.\*

\* cited by examiner

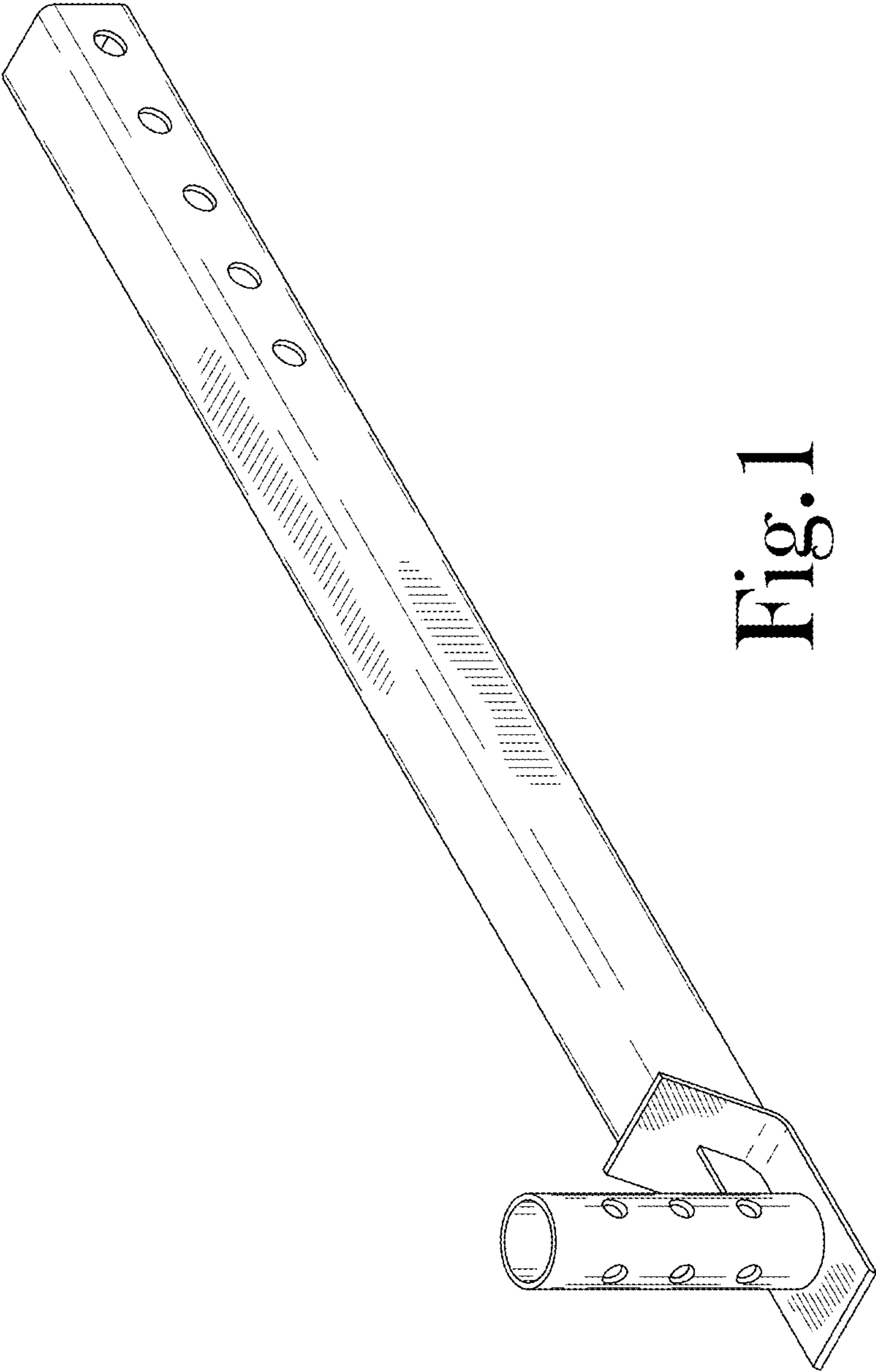


Fig. 1

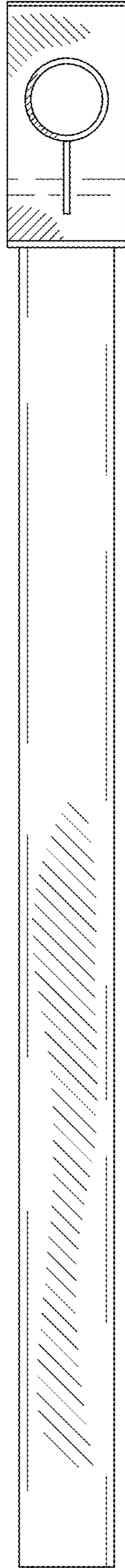


Fig. 2

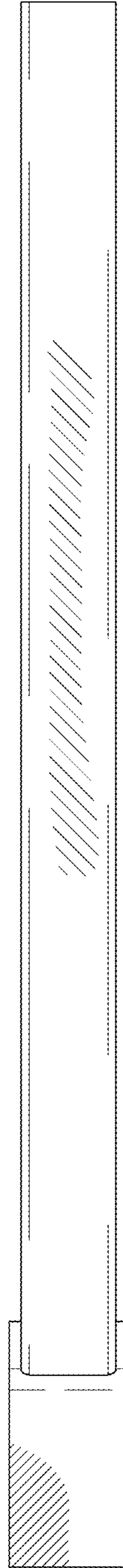


Fig. 3

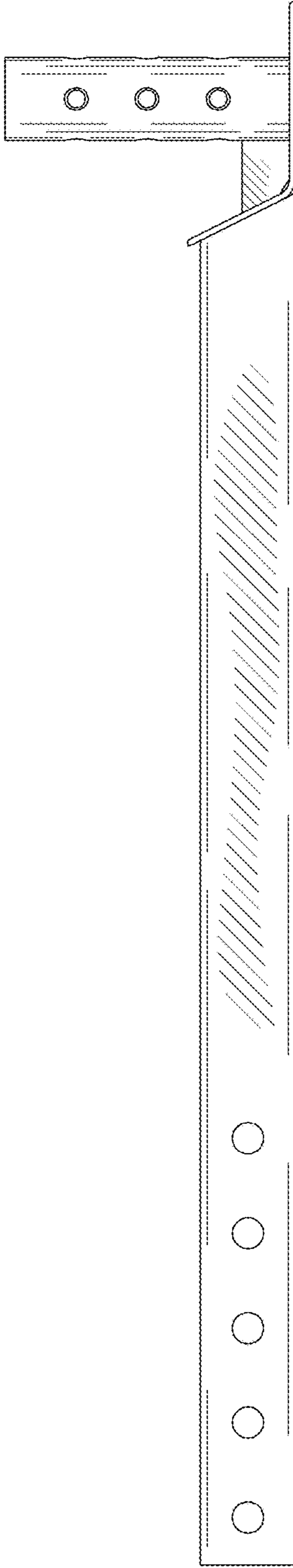


Fig. 4

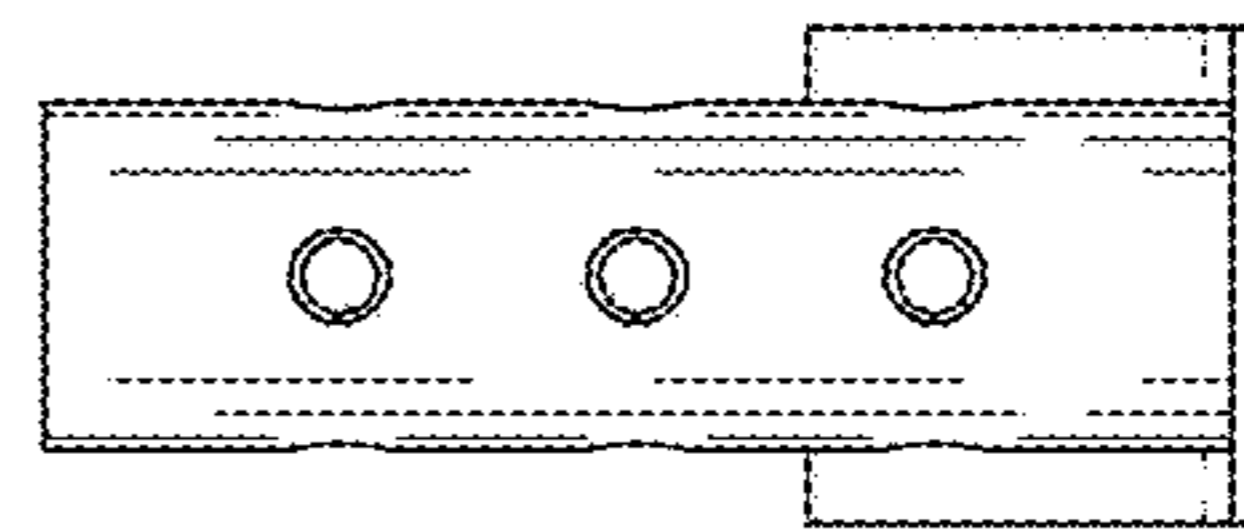


Fig. 5

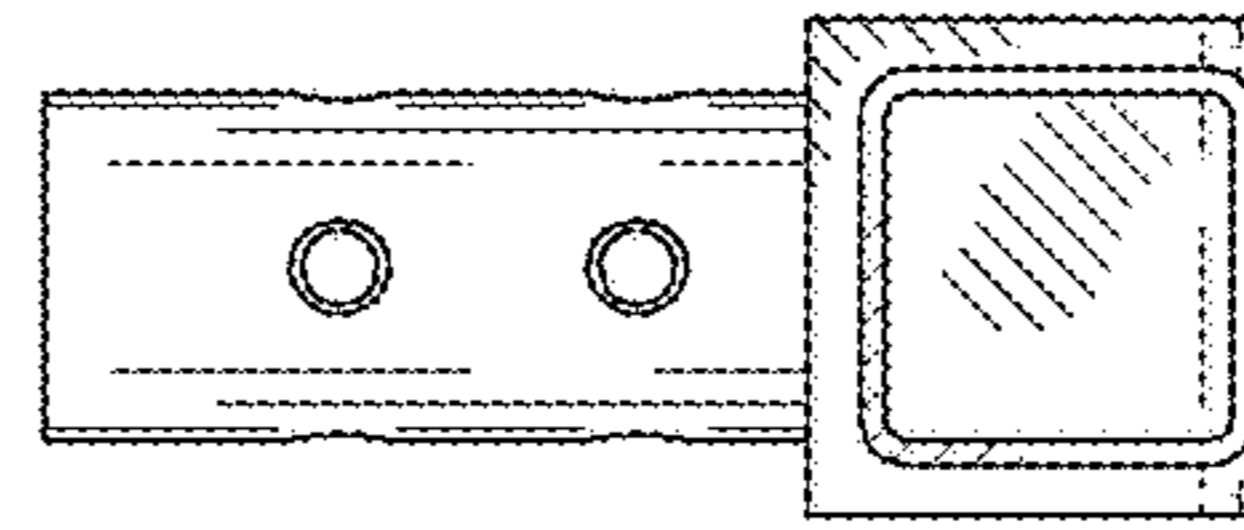


Fig. 6