



US00D796415S

(12) **United States Design Patent** (10) **Patent No.:** **US D796,415 S**
Tsukamoto (45) **Date of Patent:** **** Sep. 5, 2017**

(54) **PICKUP TRUCK**
(71) Applicant: **Kenichiro Tsukamoto**, Kobe (JP)
(72) Inventor: **Kenichiro Tsukamoto**, Kobe (JP)
(**) Term: **15 Years**

D652,778 S * 1/2012 Segura D12/221
D684,515 S * 6/2013 Oliver 296/26.11
D701,816 S * 4/2014 Noon D12/221
D722,940 S * 2/2015 Williamson D12/221
D738,806 S * 9/2015 Williamson D12/221
D758,271 S * 6/2016 McMahan D12/196

(21) Appl. No.: **29/572,547**
(22) Filed: **Jul. 28, 2016**

FOREIGN PATENT DOCUMENTS

JP 8-230553 9/1996

* cited by examiner

(30) **Foreign Application Priority Data**

Primary Examiner — Katrina A Betton

Feb. 29, 2016 (JP) 2016-004363

(74) *Attorney, Agent, or Firm* — Hamre, Schumann,
Mueller & Larson, P.C.

(51) **LOC (10) Cl.** **12-16**

(52) **U.S. Cl.**
USPC **D12/331**

(57) **CLAIM**

(58) **Field of Classification Search**
USPC D12/221, 98; D9/431, 433, 44, 420, 422,
D9/423, 424

The ornamental design for a pickup truck, as shown and described.

CPC .. B60R 99/00; B60R 5/00; B60R 7/04; B60N
2/30

DESCRIPTION

See application file for complete search history.

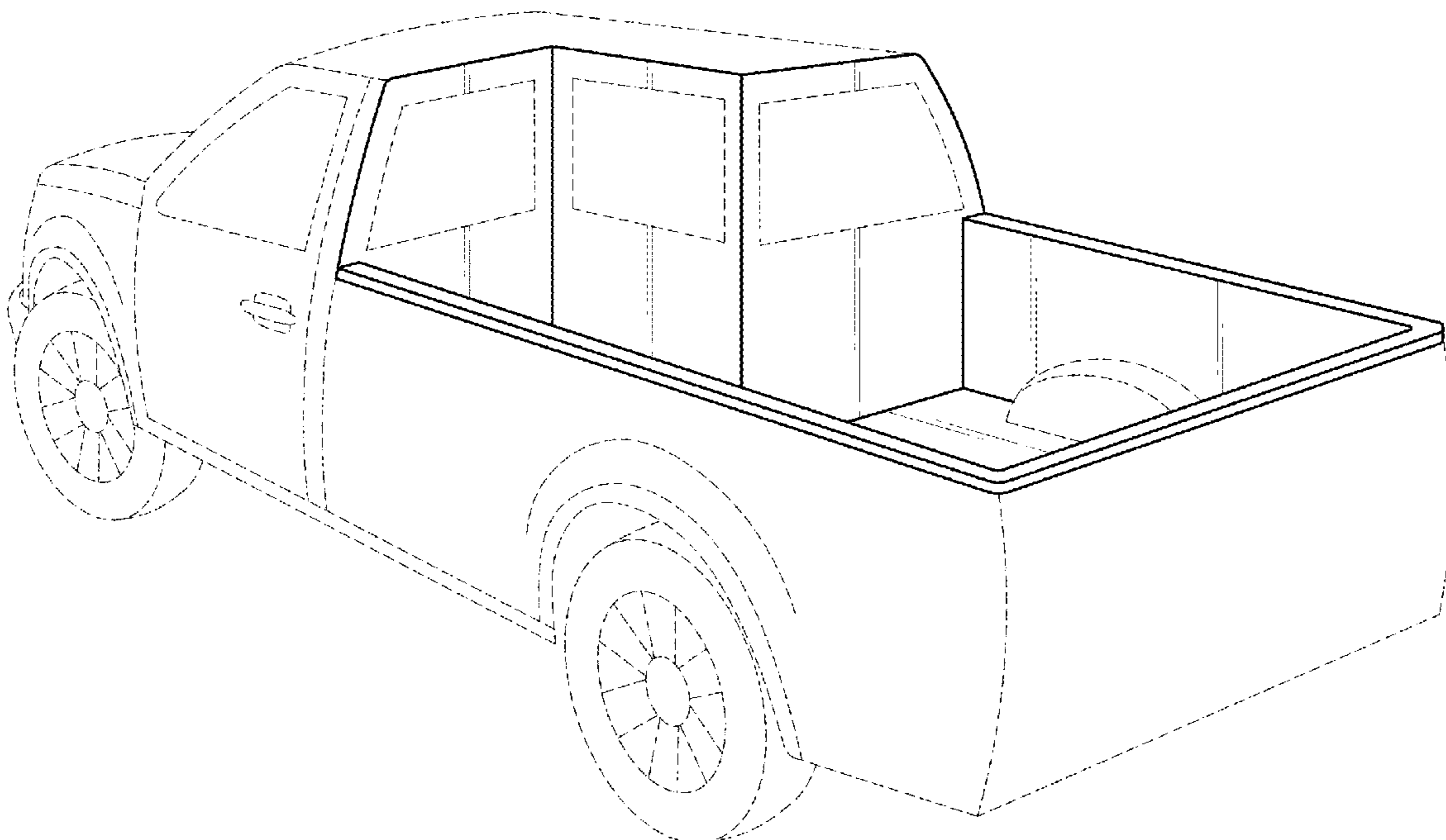
FIG. 1 is a perspective view of the pickup truck.
FIG. 2 is a front view of the pickup truck depicted in FIG. 1.
FIG. 3 is a left side view of the pickup truck depicted in FIG. 1.
FIG. 4 is a right side view of the pickup truck depicted in FIG. 1; and,
FIG. 5 is a top view of the pickup truck depicted in FIG. 1.
In the drawings, the broken lines depict portions of a truck that form no part of the claimed design.

(56) **References Cited**

U.S. PATENT DOCUMENTS

D494,521 S * 8/2004 Metros D12/196
D494,910 S * 8/2004 Metros D12/196
D498,200 S * 11/2004 Hall D12/221
D499,064 S * 11/2004 Hall D12/221
D537,770 S * 3/2007 Yamazaki D12/221
D560,584 S * 1/2008 Tant D12/196
D613,325 S * 4/2010 Lo D16/222

1 Claim, 5 Drawing Sheets



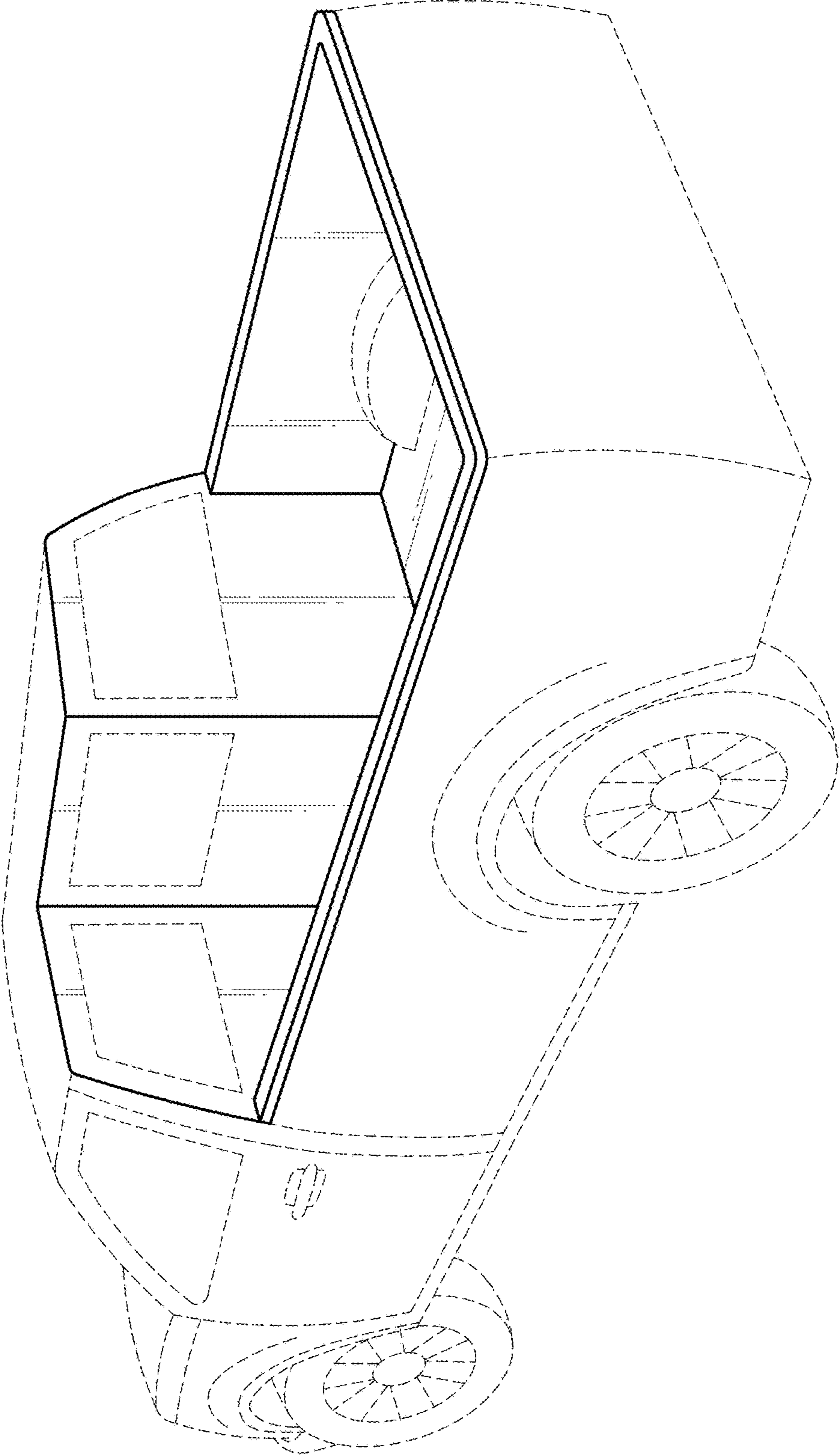


Fig. 1

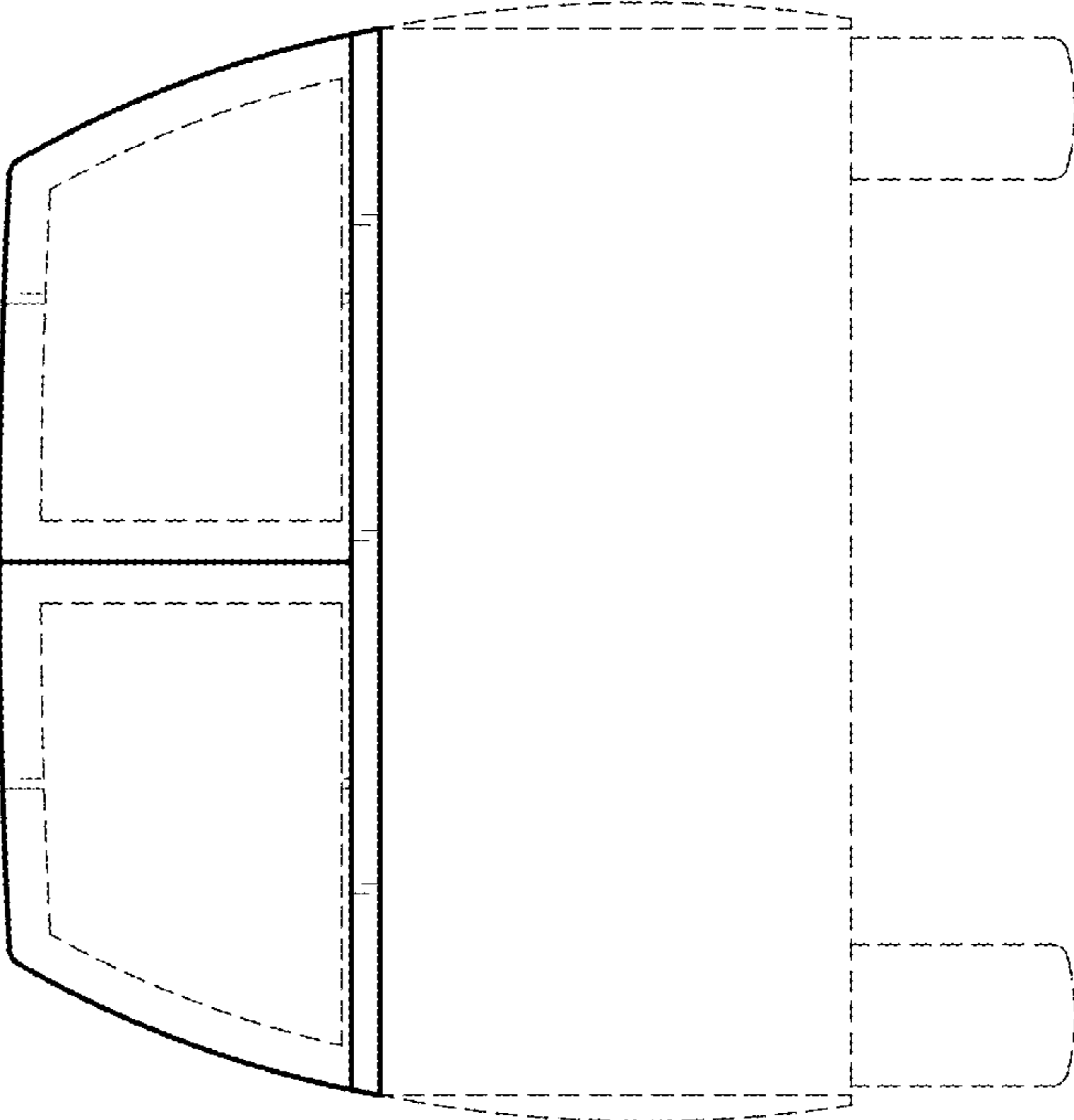


Fig. 2

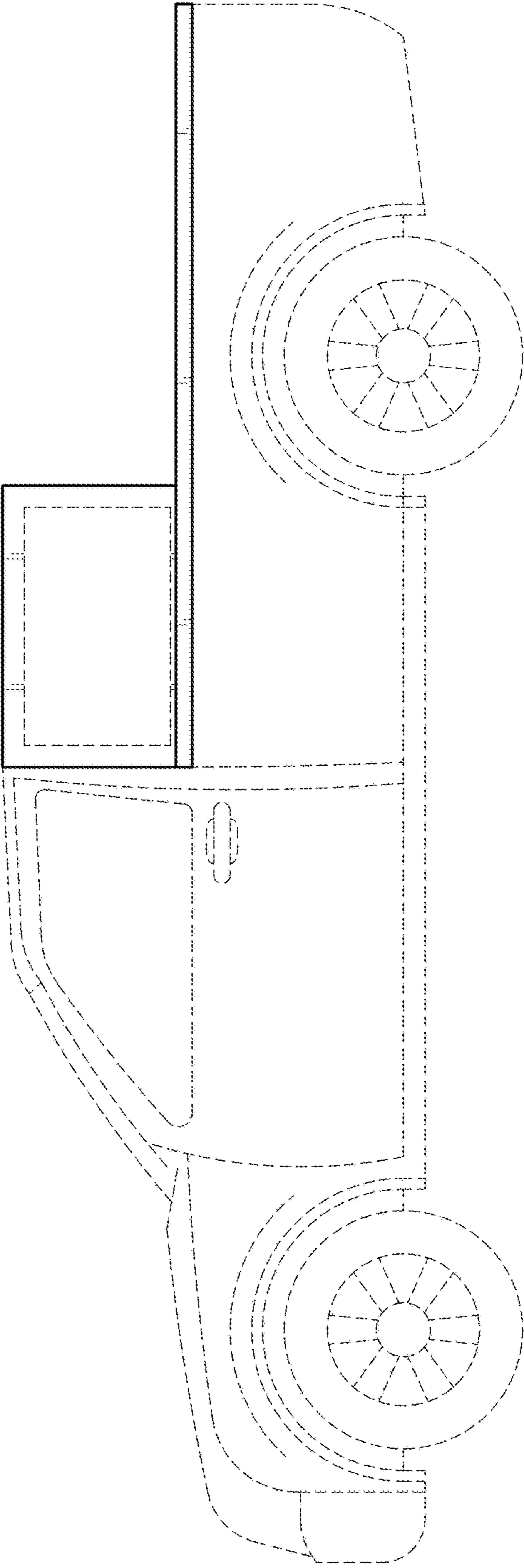


Fig. 3

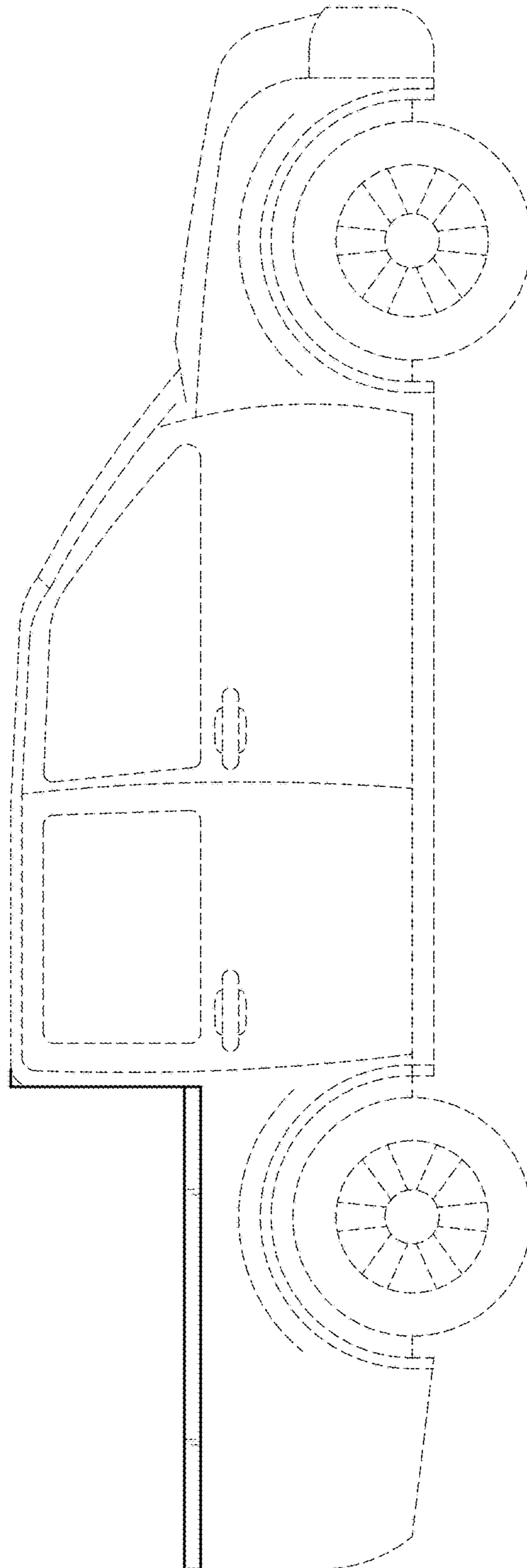


Fig. 4

Fig. 5

