



US00D796414S

(12) **United States Design Patent** (10) **Patent No.:** **US D796,414 S**
Fenny et al. (45) **Date of Patent:** **** Sep. 5, 2017**

(54) **SINUSOIDAL CIRCULAR WING AND SPOKES FOR A CLOSED WING AIRCRAFT**

(71) Applicant: **Bell Helicopter Textron Inc.**, Fort Worth, TX (US)

(72) Inventors: **Carlos Alexander Fenny**, Fort Worth, TX (US); **Rohn Lee Olson**, Hurst, TX (US); **Andrew James Zahasky**, North Richland Hills, TX (US)

(73) Assignee: **BELL HELICOPTER TEXTRON INC.**, Fort Worth, TX (US)

(**) Term: **15 Years**

(21) Appl. No.: **29/564,597**

(22) Filed: **May 13, 2016**

(51) **LOC (10) Cl.** **12-07**

(52) **U.S. Cl.**
USPC **D12/328**; D21/441; D12/345

(58) **Field of Classification Search**
USPC D12/16.1, 319-324, 326-345; D21/436, D21/441, 443, 444, 446, 447, 448, 449, D21/450, 451, 452, 453
CPC B64C 1/062; B64C 39/024; B64C 27/08; B64C 29/00; B64C 39/00; B64C 23/00; B64C 27/20

See application file for complete search history.

(56) **References Cited**

U.S. PATENT DOCUMENTS

D174,679	S	*	5/1955	Cochran	244/12.1
D181,599	S	*	12/1957	Nelson	D12/330
D185,870	S	*	8/1959	Apostolescu	D21/452
3,005,603	A		10/1961	Gaskins		
D193,245	S	*	7/1962	Knox	D21/444
3,082,977	A		3/1963	Arlin		
D197,447	S	*	2/1964	Friedrich	244/12.2
D213,708	S	*	4/1969	Blumenthal	D21/441
D214,577	S	*	7/1969	Mueller	446/48

(Continued)

OTHER PUBLICATIONS

Volocopter, Misc. Website images, VC400 <http://www.volocopter.com/index.php>, 13 pp. Oct. 29, 2014.

Primary Examiner — Robert M Spear

Assistant Examiner — Marissa J Cash

(74) *Attorney, Agent, or Firm* — Daniel J. Chalker; Edwin S. Flores; Chalker Flores, LLP

(57) **CLAIM**

The ornamental design for a sinusoidal circular wing and spokes for a closed wing aircraft, as shown and described.

DESCRIPTION

FIG. 1 is a perspective view of a sinusoidal circular wing and spokes for a closed wing aircraft in which all the rotors are deployed;

FIG. 2 is a front elevation view thereof;

FIG. 3 is a rear elevation view thereof;

FIG. 4 is a right side elevation view thereof;

FIG. 5 is a left side elevation view thereof;

FIG. 6 is a top plan view thereof;

FIG. 7 is a bottom plan view thereof;

FIG. 8 is a perspective view of a sinusoidal circular wing for a closed wing aircraft in which the rotors on the spokes are deployed and the rotors on the ring wing are folded forward;

FIG. 9 is a front elevation view thereof;

FIG. 10 is a rear elevation view thereof;

FIG. 11 is a right side elevation view thereof;

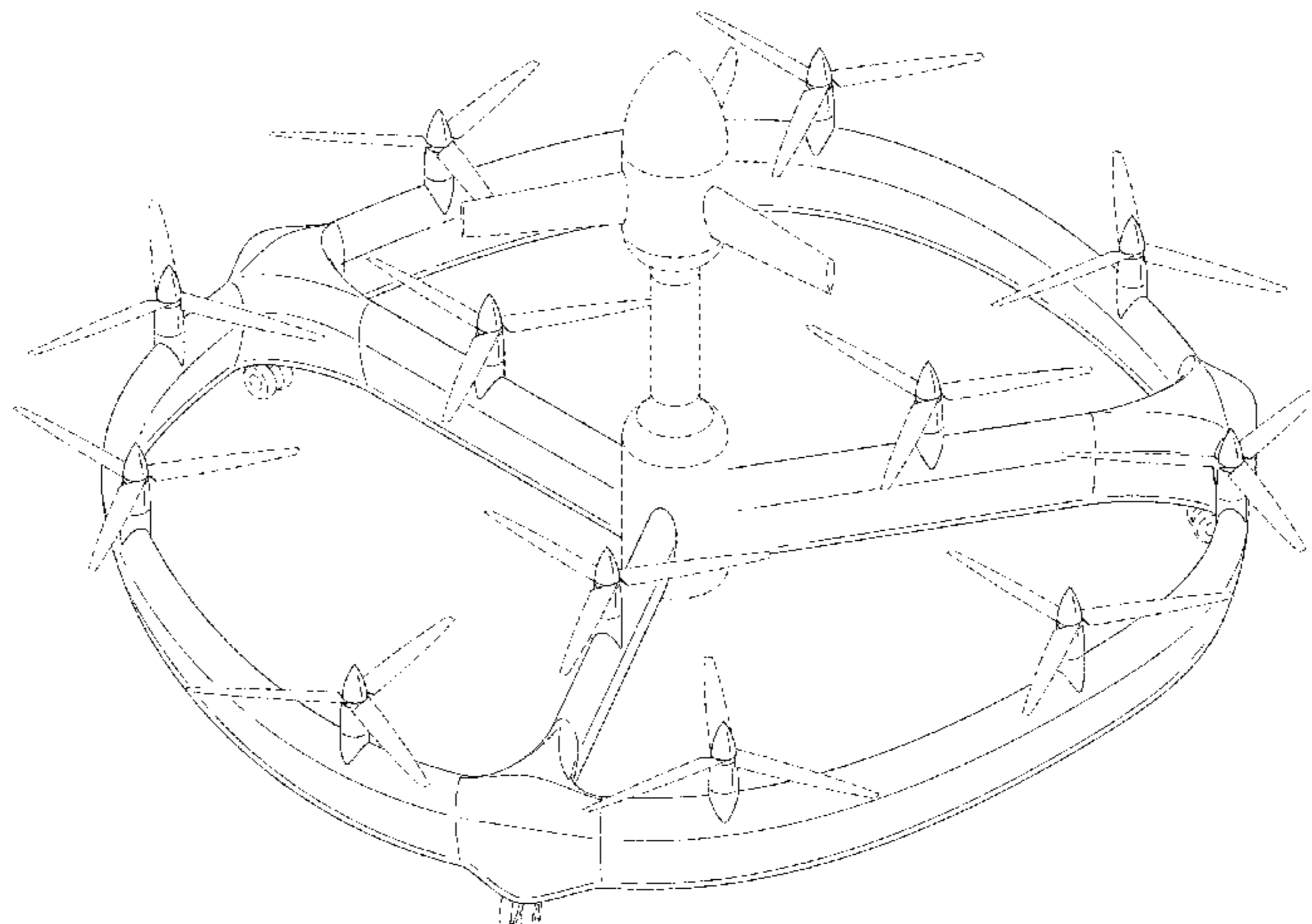
FIG. 12 is a left side elevation view thereof;

FIG. 13 is a top plan view thereof; and,

FIG. 14 is a bottom plan view thereof.

The fuselage, rotors and landing gear depicted by broken lines in the drawings have been shown for the purpose of illustrating environment that forms no part of the claimed design.

1 Claim, 14 Drawing Sheets



(56)

References Cited

U.S. PATENT DOCUMENTS

3,640,489 A 2/1972 Jaeger
 3,834,654 A 9/1974 Miranda
 D241,565 S * 9/1976 Molenaar 446/48
 D314,549 S 2/1991 Myers
 D324,890 S * 3/1992 Smiel D21/441
 5,150,857 A * 9/1992 Moffitt B64C 27/20
 244/12.2
 5,178,344 A * 1/1993 Dlouhy B64C 27/20
 244/12.2
 5,305,970 A * 4/1994 Porter B64G 1/1078
 244/135 R
 5,595,358 A 1/1997 Demidov et al.
 6,382,560 B1 5/2002 Ow
 6,607,162 B2 8/2003 Warsop et al.
 6,688,936 B2 * 2/2004 Davis A63H 27/04
 446/175
 6,921,313 B2 * 7/2005 Yu A63H 33/22
 446/39
 D543,928 S * 6/2007 Sanders, Jr. B64C 27/12
 D12/319
 7,370,828 B2 5/2008 Stephens
 7,658,348 B1 2/2010 Braly

7,794,302 B2 * 9/2010 Davis A63H 27/12
 446/454
 D640,757 S * 6/2011 Cheng D21/451
 8,083,173 B2 * 12/2011 Arlton B64C 39/024
 244/17.23
 D664,214 S * 7/2012 Yuen D21/441
 D679,339 S * 4/2013 Genovese D12/16.1
 D679,340 S * 4/2013 Genovese D12/16.1
 8,408,489 B2 4/2013 Gosling
 D740,892 S * 10/2015 Chen D21/444
 D776,569 S * 1/2017 Baruchin D12/16.1
 D776,570 S * 1/2017 Baruchin D12/16.1
 D780,665 S * 3/2017 Blincow D12/320
 2002/0142699 A1 * 10/2002 Davis A63H 27/12
 446/37
 2007/0215746 A1 9/2007 Rieken et al.
 2010/0025526 A1 * 2/2010 Lawrence B64C 39/024
 244/17.23
 2015/0108280 A1 * 4/2015 Willard, Jr. B64G 1/46
 244/171.9
 2016/0170416 A1 * 6/2016 Chen B64C 27/08
 701/8
 2016/0229530 A1 * 8/2016 Welsh B64C 39/024
 2017/0015417 A1 * 1/2017 Bishop B64C 27/20
 2017/0029091 A1 * 2/2017 Linch B64C 11/001

* cited by examiner

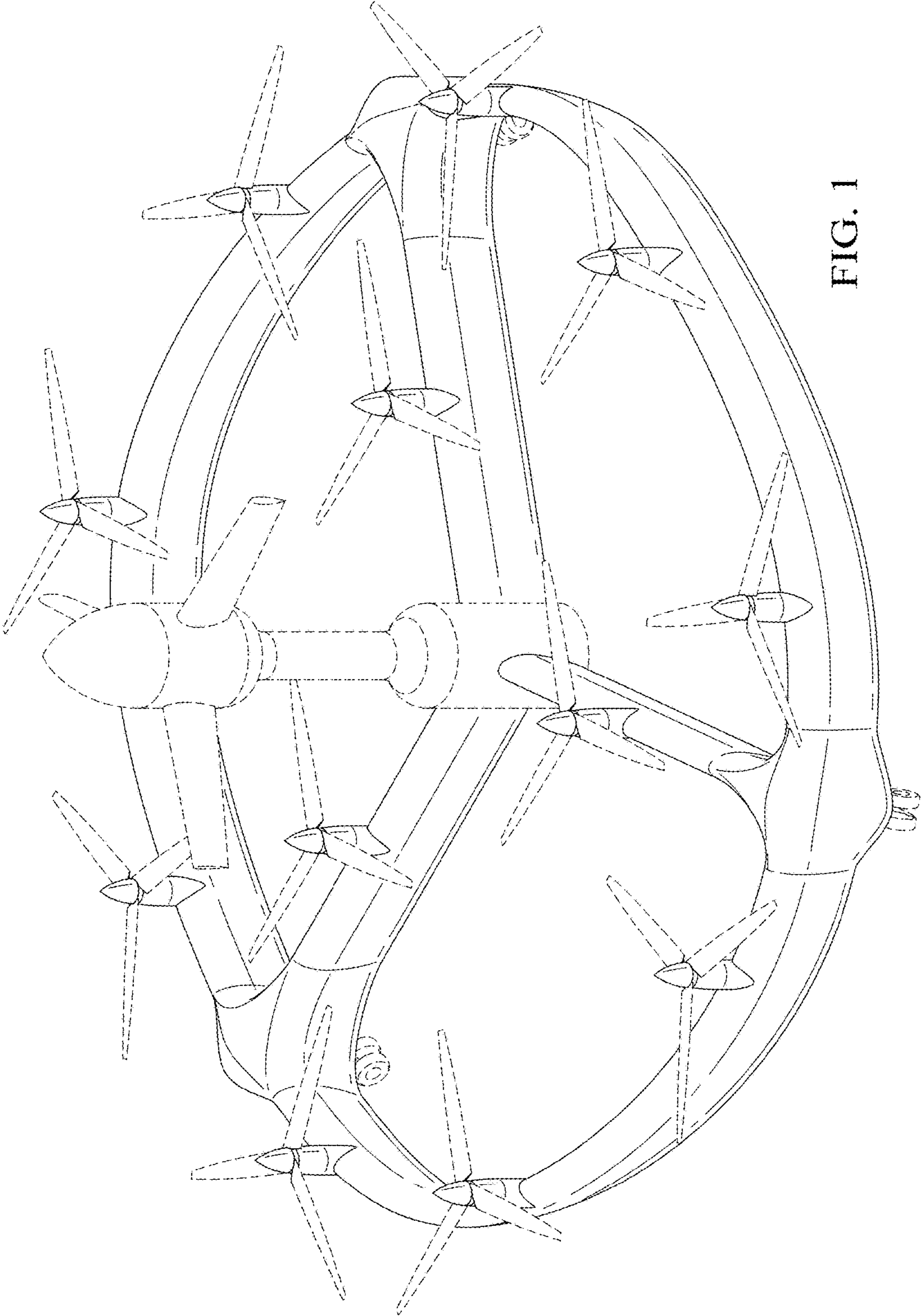


FIG. 1

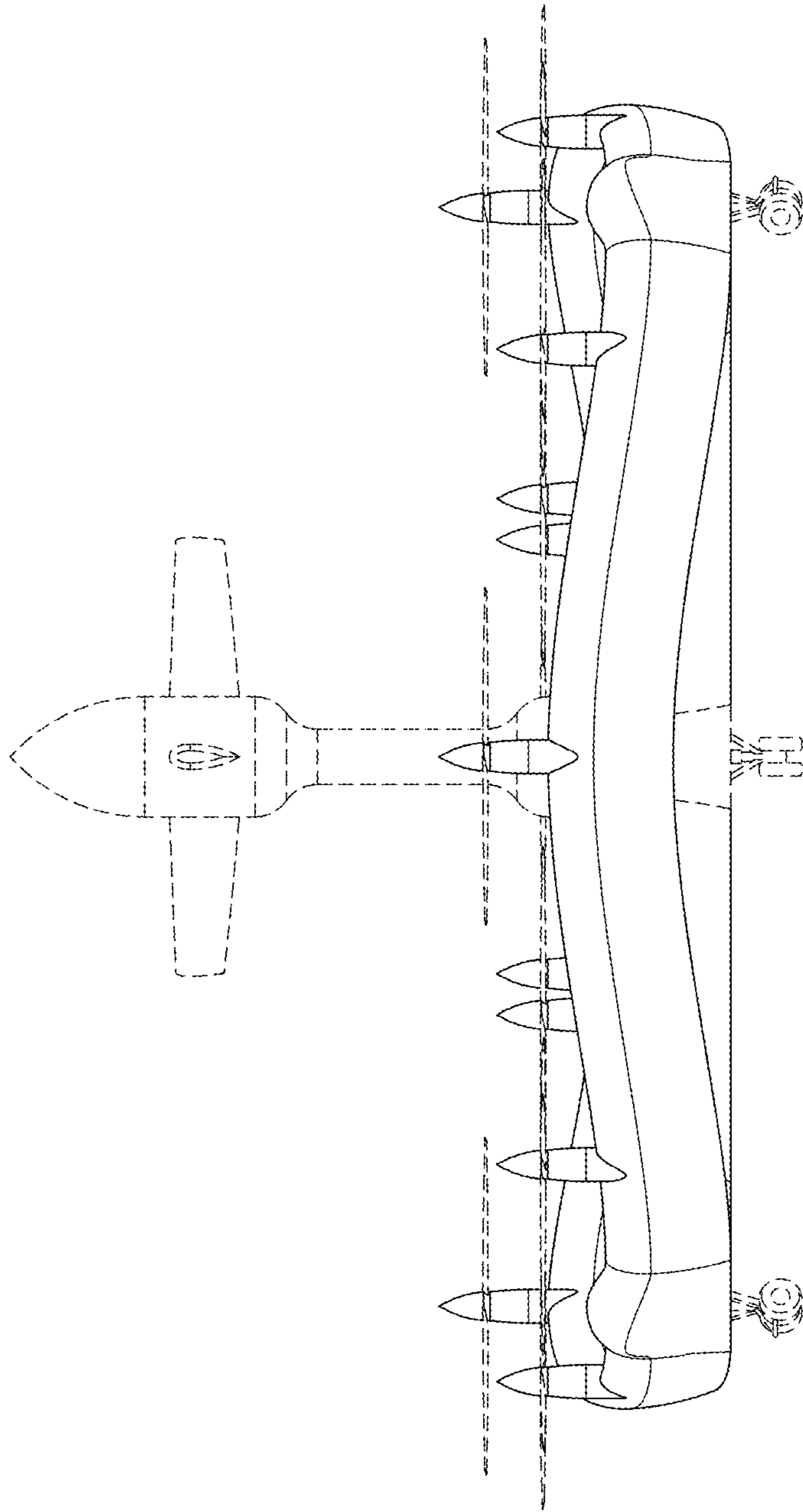


FIG. 2

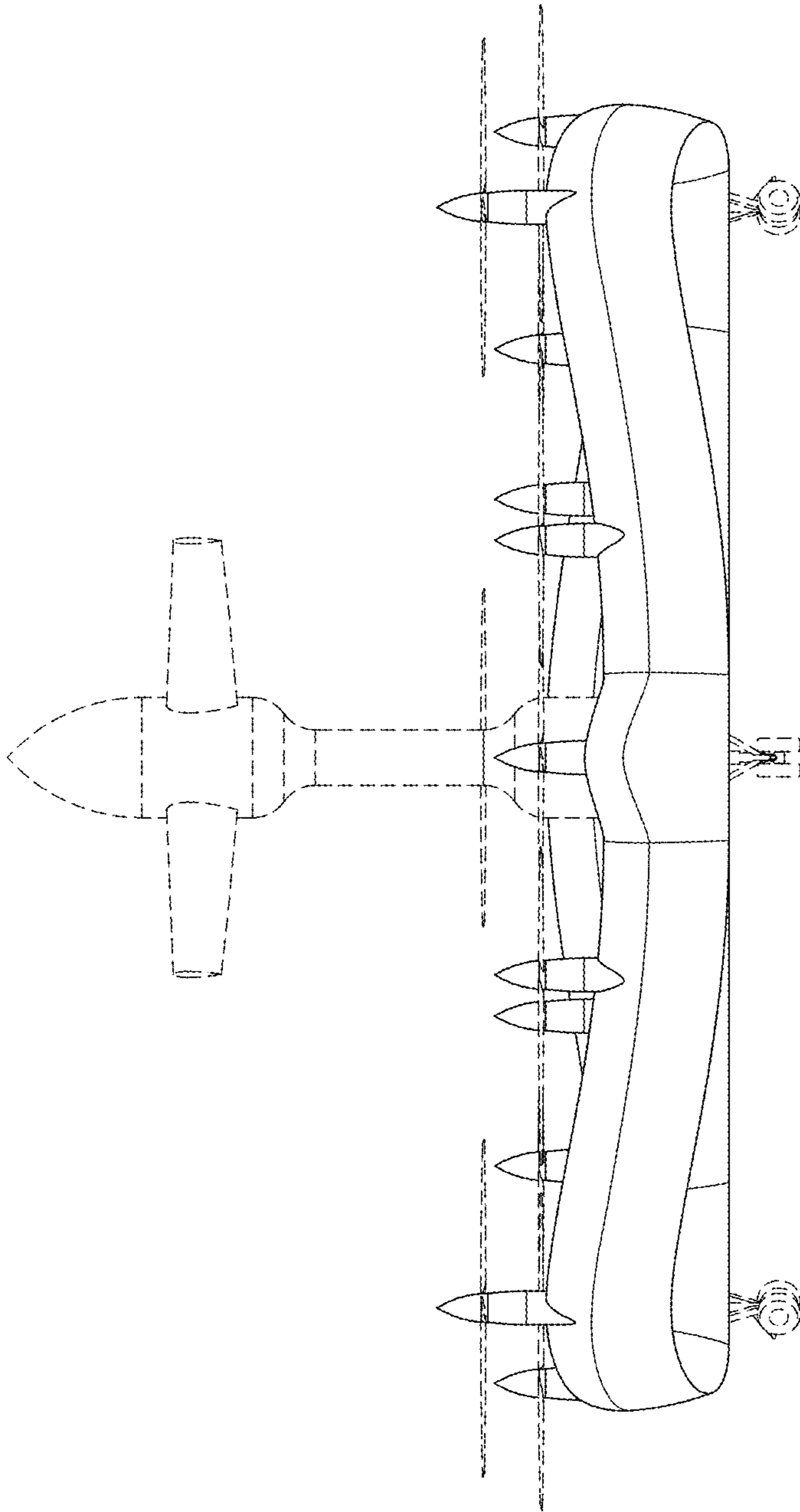


FIG. 3

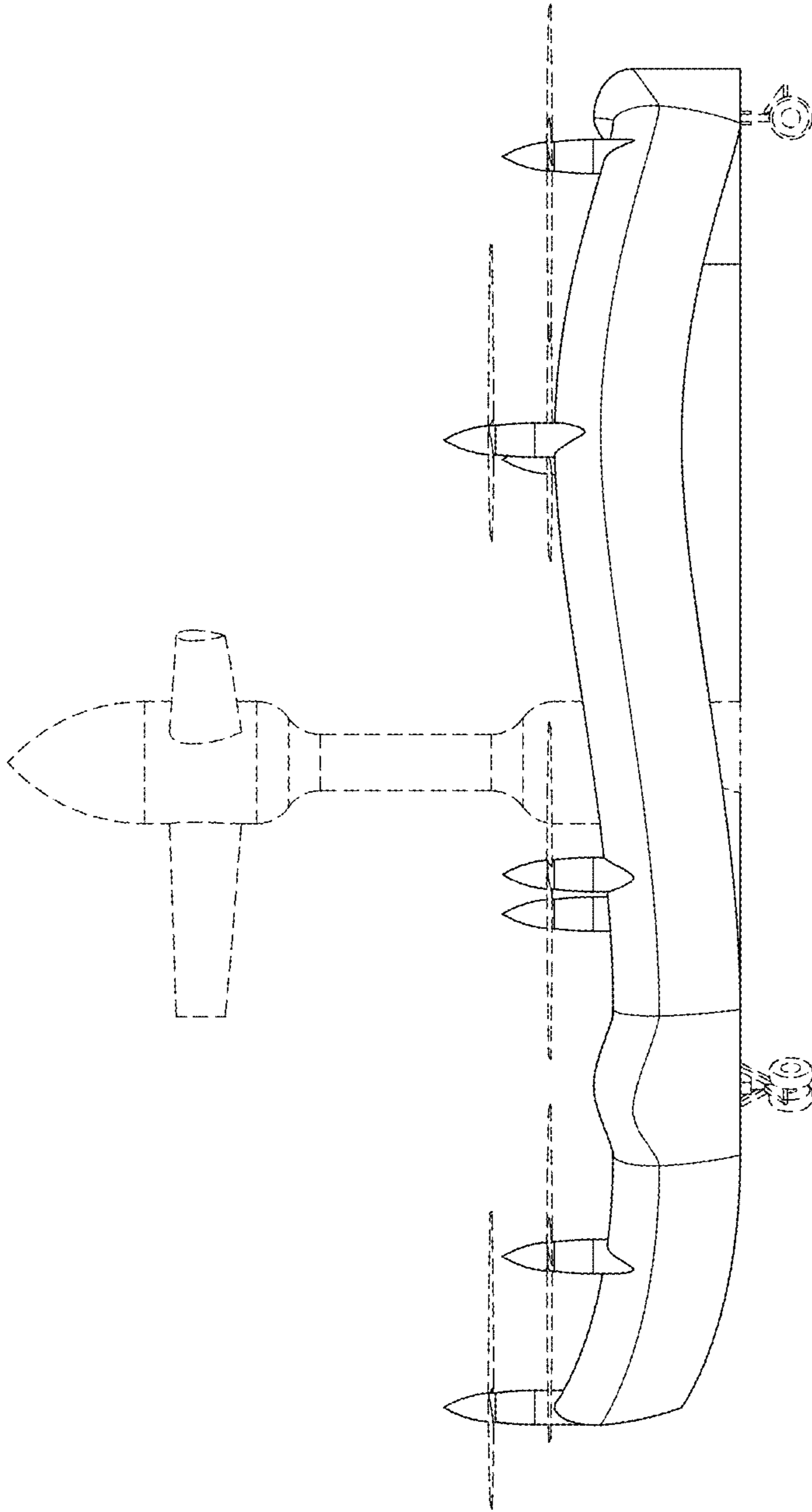


FIG. 4

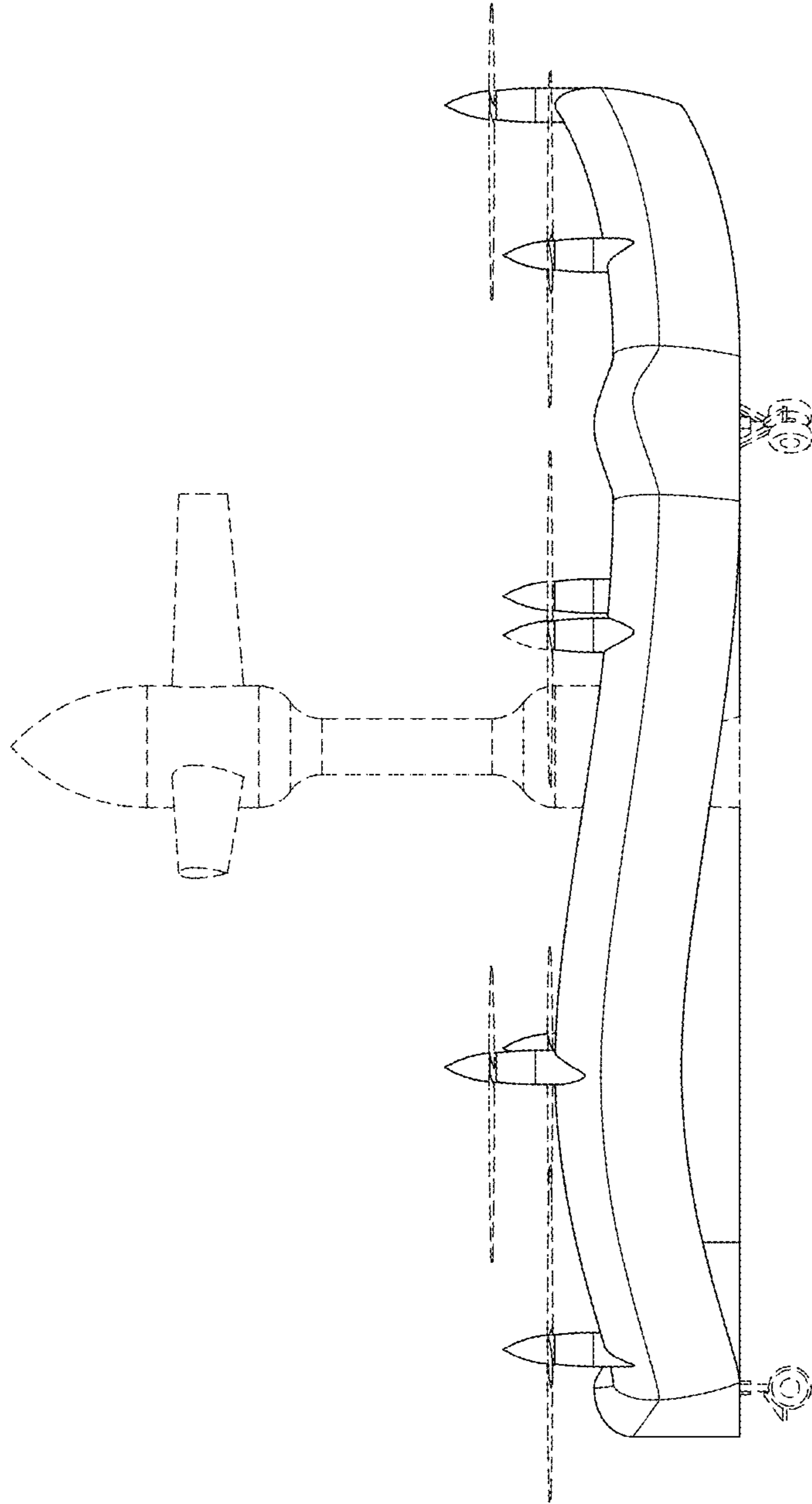


FIG. 5

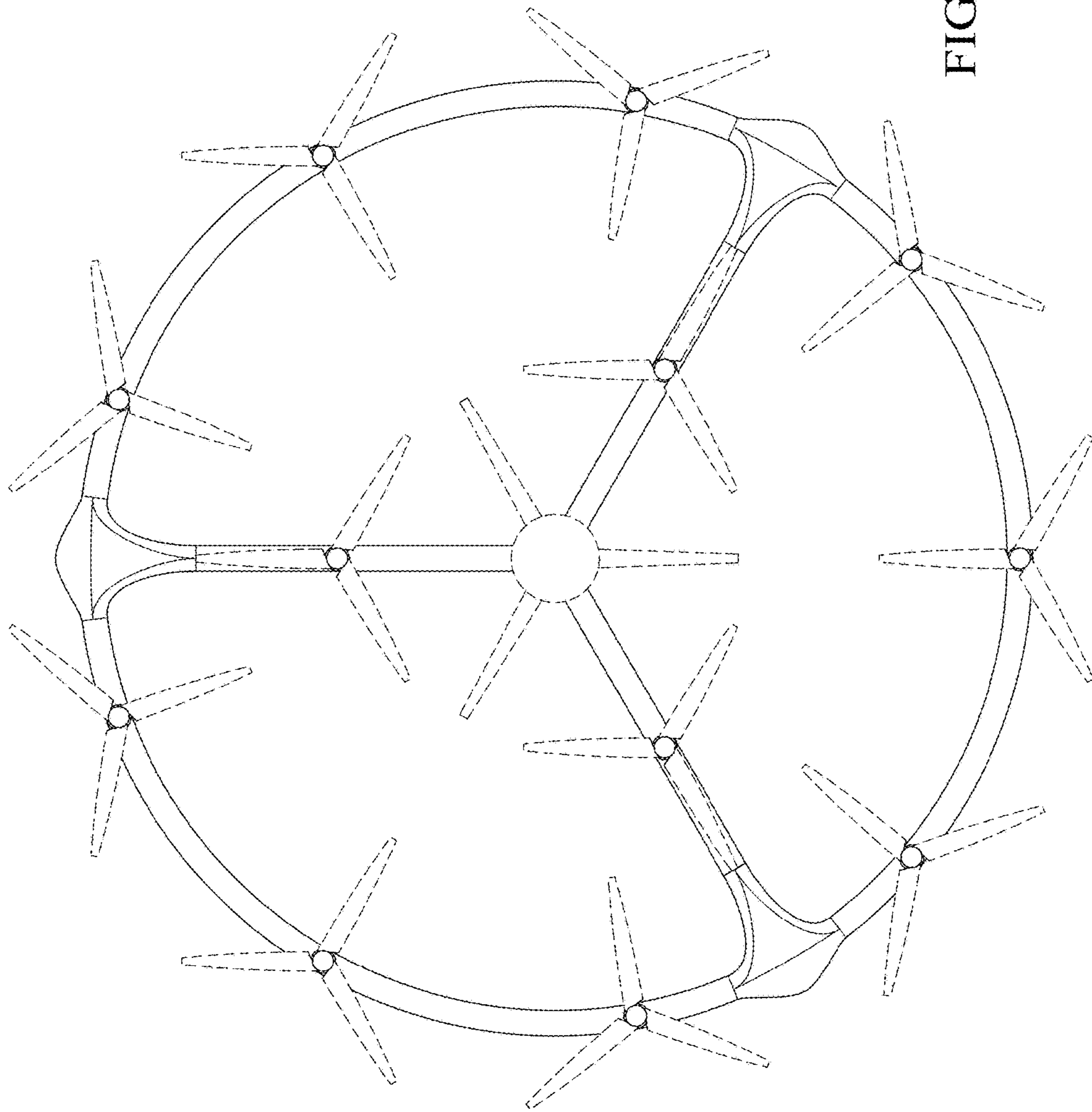


FIG. 6

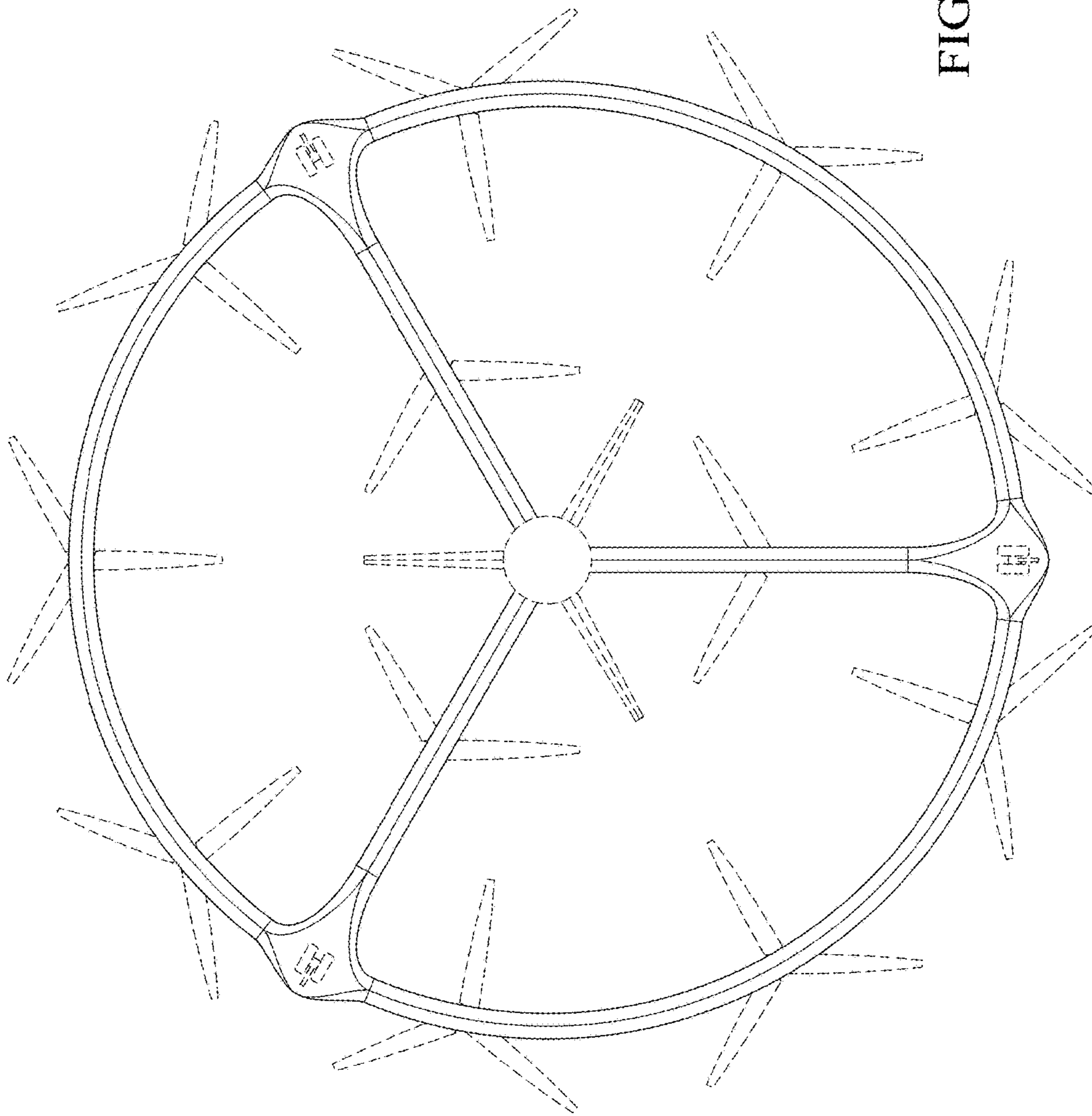


FIG. 7

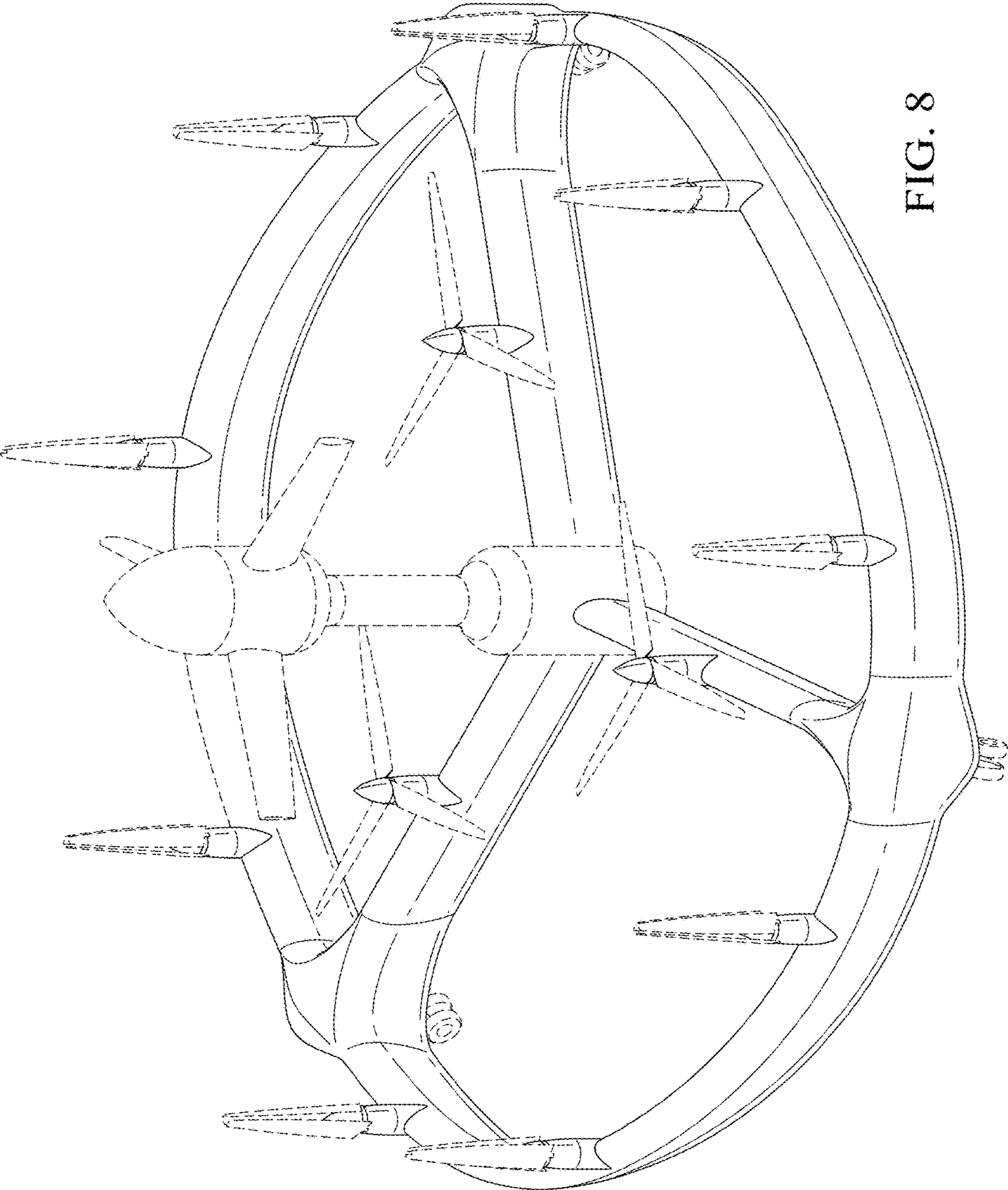


FIG. 8

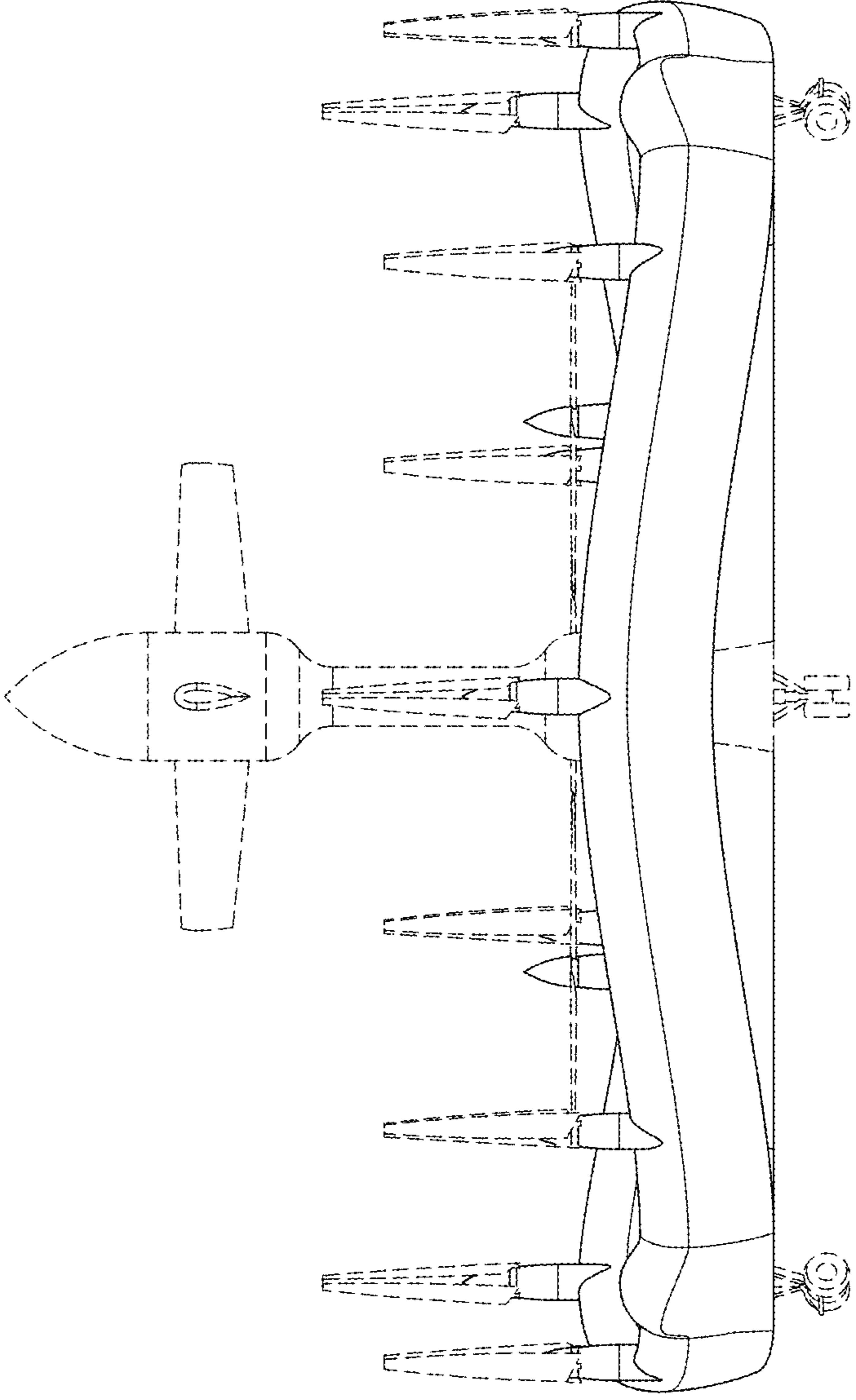


FIG. 9

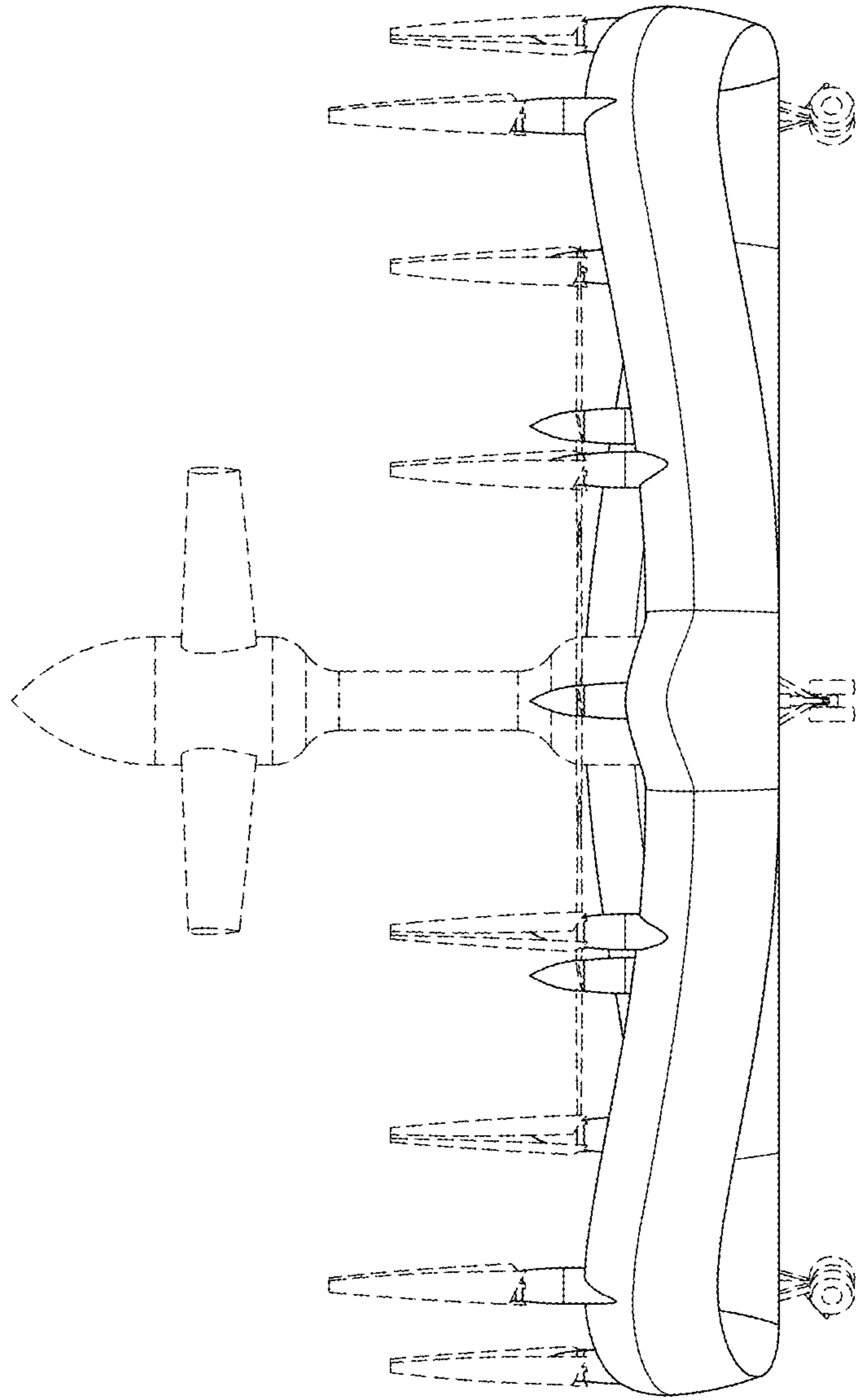


FIG. 10

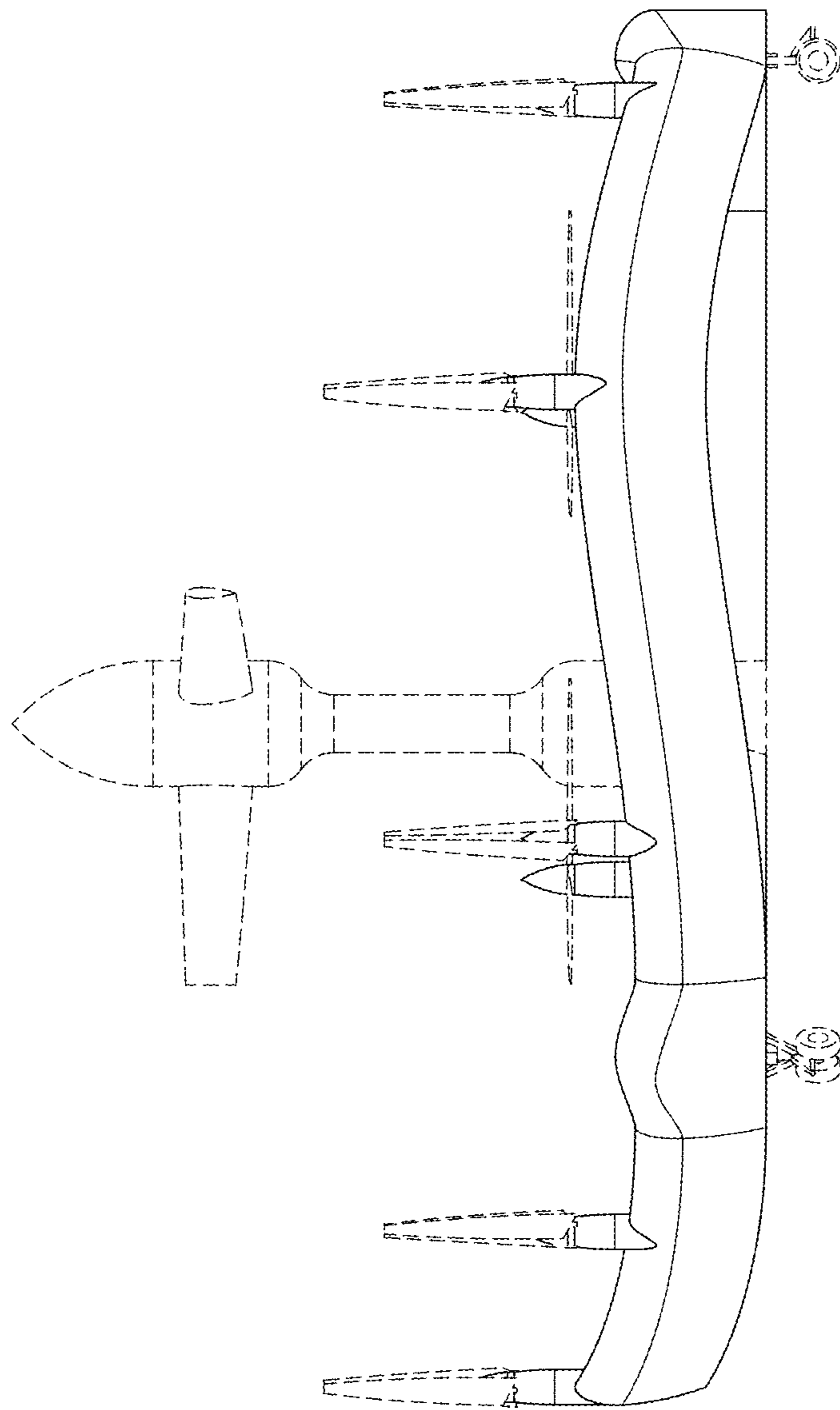


FIG. 11

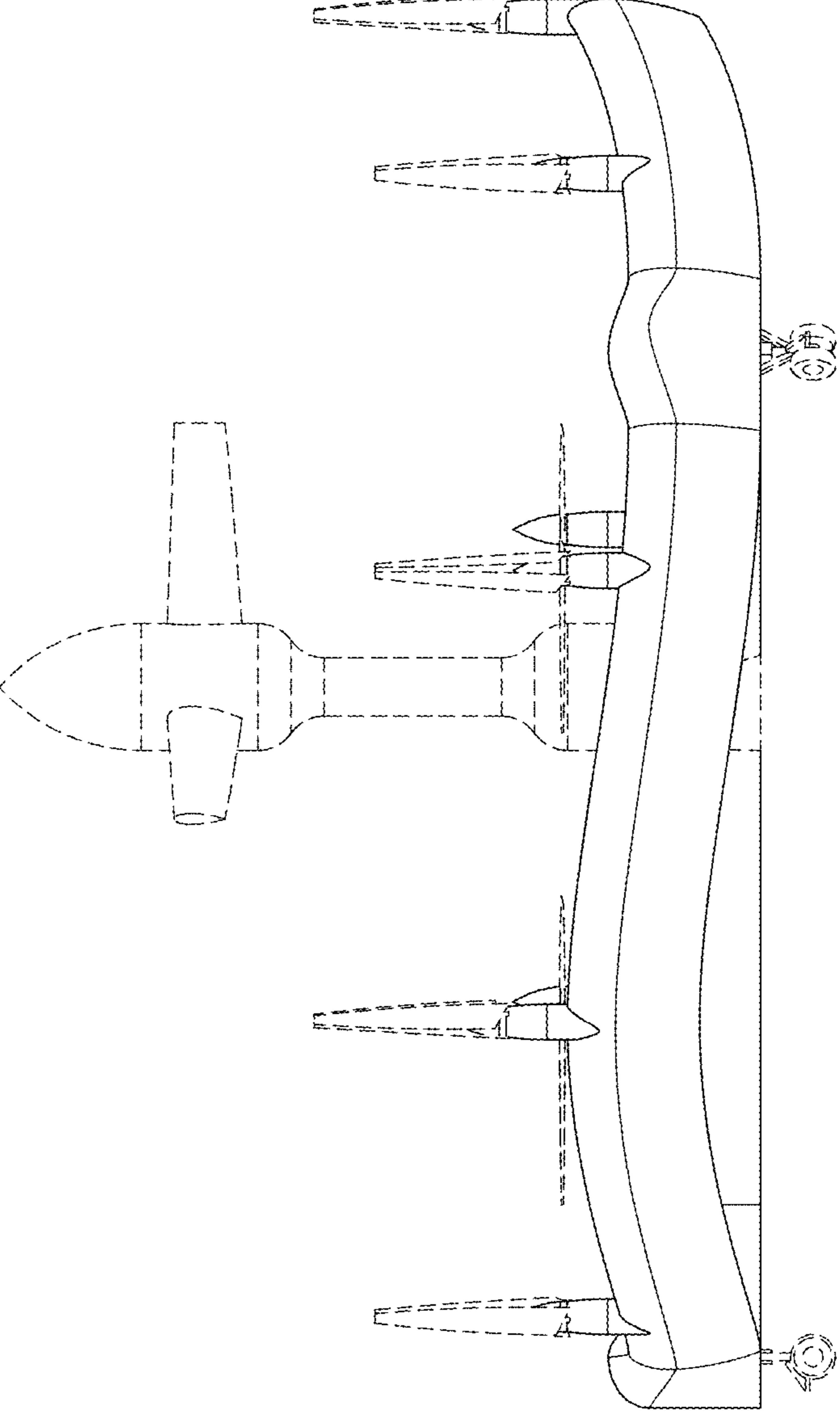


FIG. 12

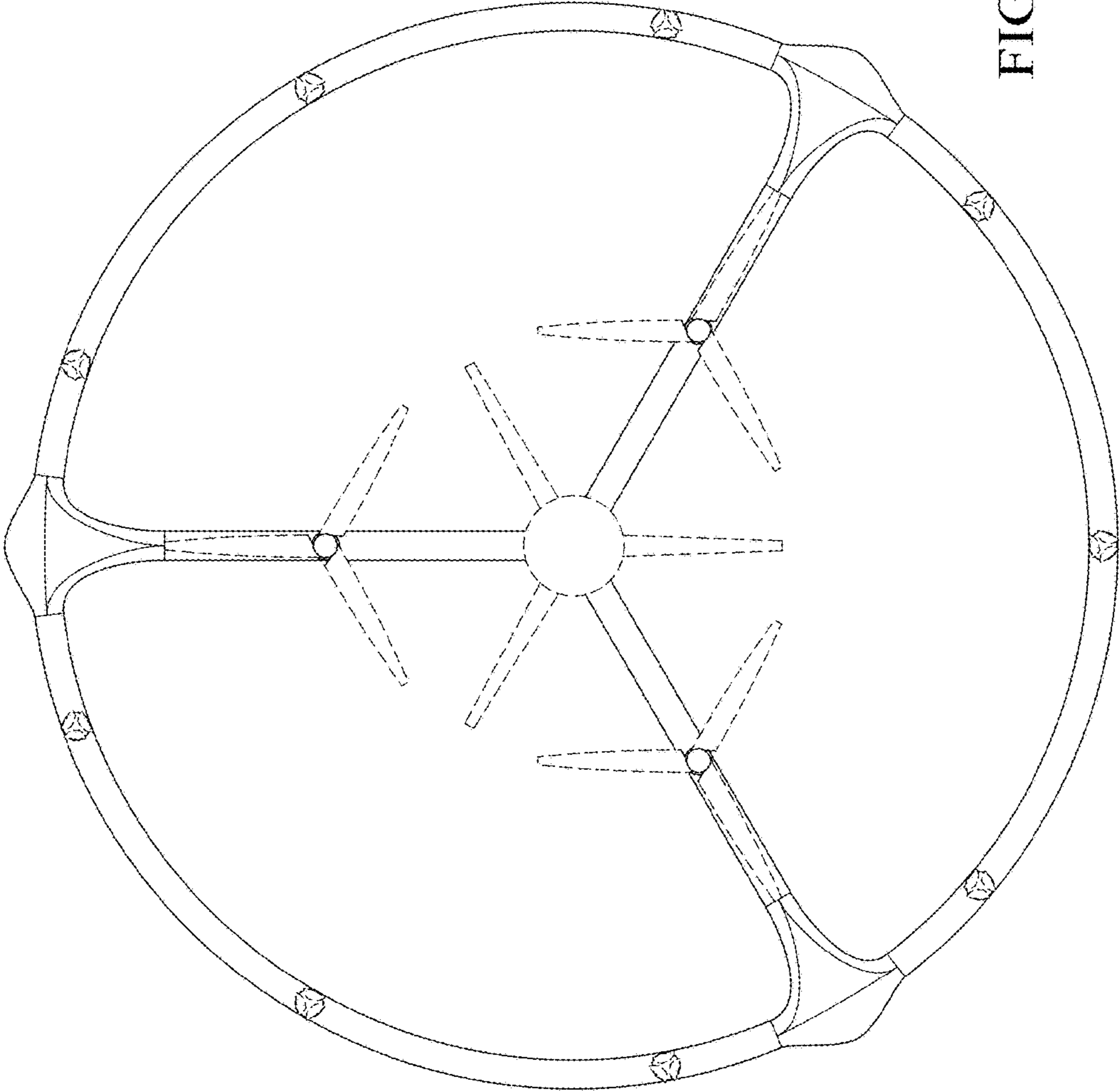


FIG. 13

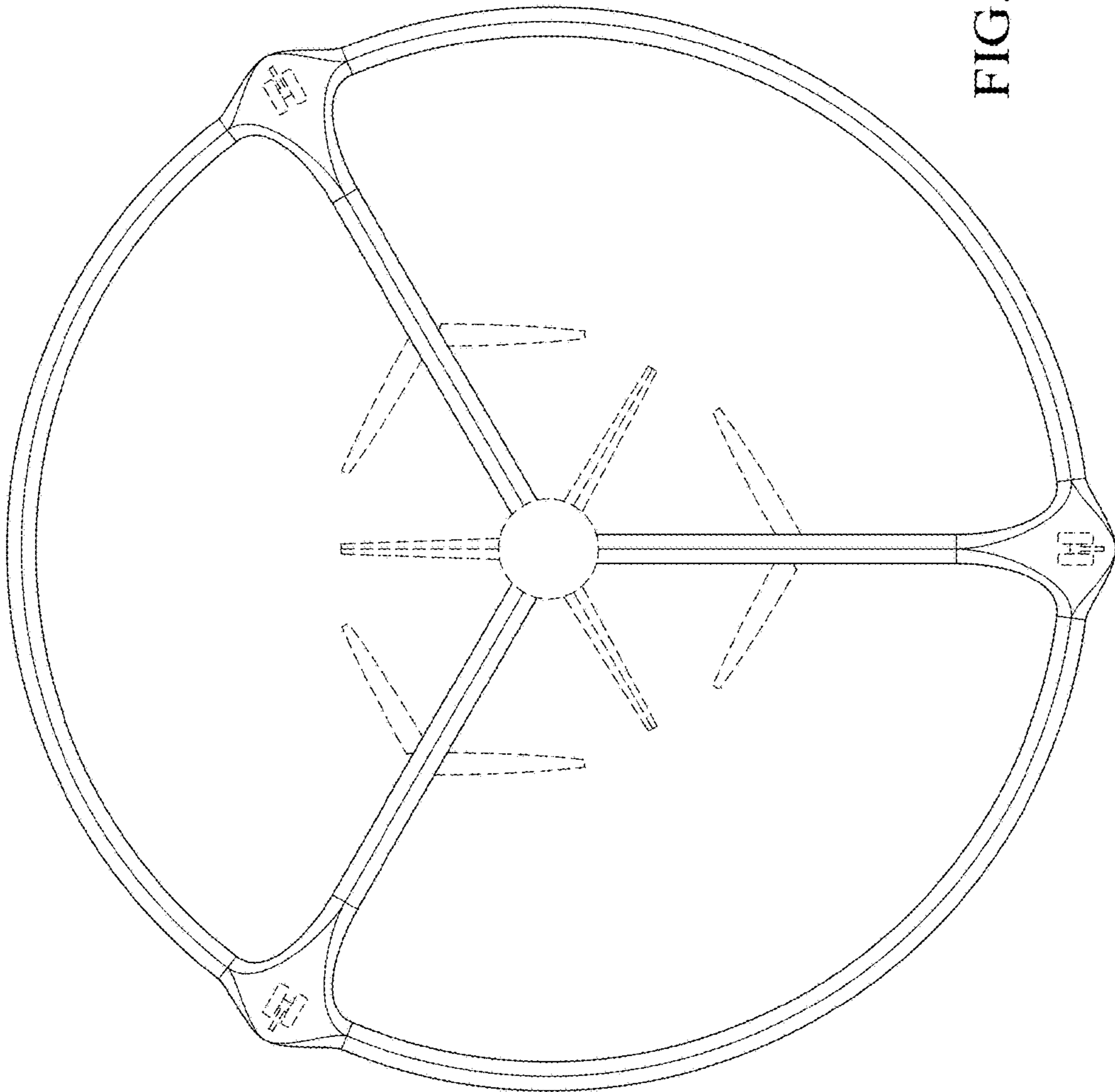


FIG. 14