



US00D796413S

(12) **United States Design Patent** (10) **Patent No.:** **US D796,413 S**
Di Iulio (45) **Date of Patent:** **** Sep. 5, 2017**

(54) **WIPER BLADE WITH TIRE TREAD COVER**

(71) Applicant: **Pylon Manufacturing Corp.**, Deerfield Beach, FL (US)

(72) Inventor: **Dale Selsor Di Iulio**, Saukville, WI (US)

(**) Term: **15 Years**

(21) Appl. No.: **29/578,096**

(22) Filed: **Sep. 19, 2016**

(51) **LOC (10) Cl.** **12-16**

(52) **U.S. Cl.**
USPC **D12/219**

(58) **Field of Classification Search**
USPC D12/219–220
CPC B60S 2001/3815; B60S 1/4003; B60S 1/3801
See application file for complete search history.

(56) **References Cited**

U.S. PATENT DOCUMENTS

D680,051 S *	4/2013	Tolentino	D12/219
D692,818 S *	11/2013	Tolentino	D12/219
D698,721 S *	2/2014	McEachern	D12/219
D699,661 S *	2/2014	Lee	D12/219
D702,617 S *	4/2014	Avasiloaie	D12/219
D704,127 S *	5/2014	Depondt	D12/219
D712,337 S *	9/2014	An	D12/219
D716,714 S *	11/2014	Kim	D12/219

D784,241 S *	4/2017	Park	D12/219
D787,417 S *	5/2017	Lee	D12/219
2012/0317740 A1 *	12/2012	Yang	B60S 1/3801 15/250.32

* cited by examiner

Primary Examiner — Katrina A Betton

(74) *Attorney, Agent, or Firm* — Cozen O'Connor

(57) **CLAIM**

The ornamental design for a wiper blade with tire tread cover, as shown.

DESCRIPTION

FIG. 1 is a perspective view of the wiper blade with tire tread cover.
 FIG. 2 is a front-side view of the wiper blade with tire tread cover.
 FIG. 3 is a left-side view of the wiper blade with tire tread cover.
 FIG. 4 is a right-side view of the wiper blade package with sleeve.
 FIG. 5 is a top-side view of the wiper blade with tire tread cover.
 FIG. 6 is a bottom-side view of the wiper blade with tire tread cover; and,
 FIG. 7 is a back-side view of the wiper blade with tire tread cover.

1 Claim, 2 Drawing Sheets

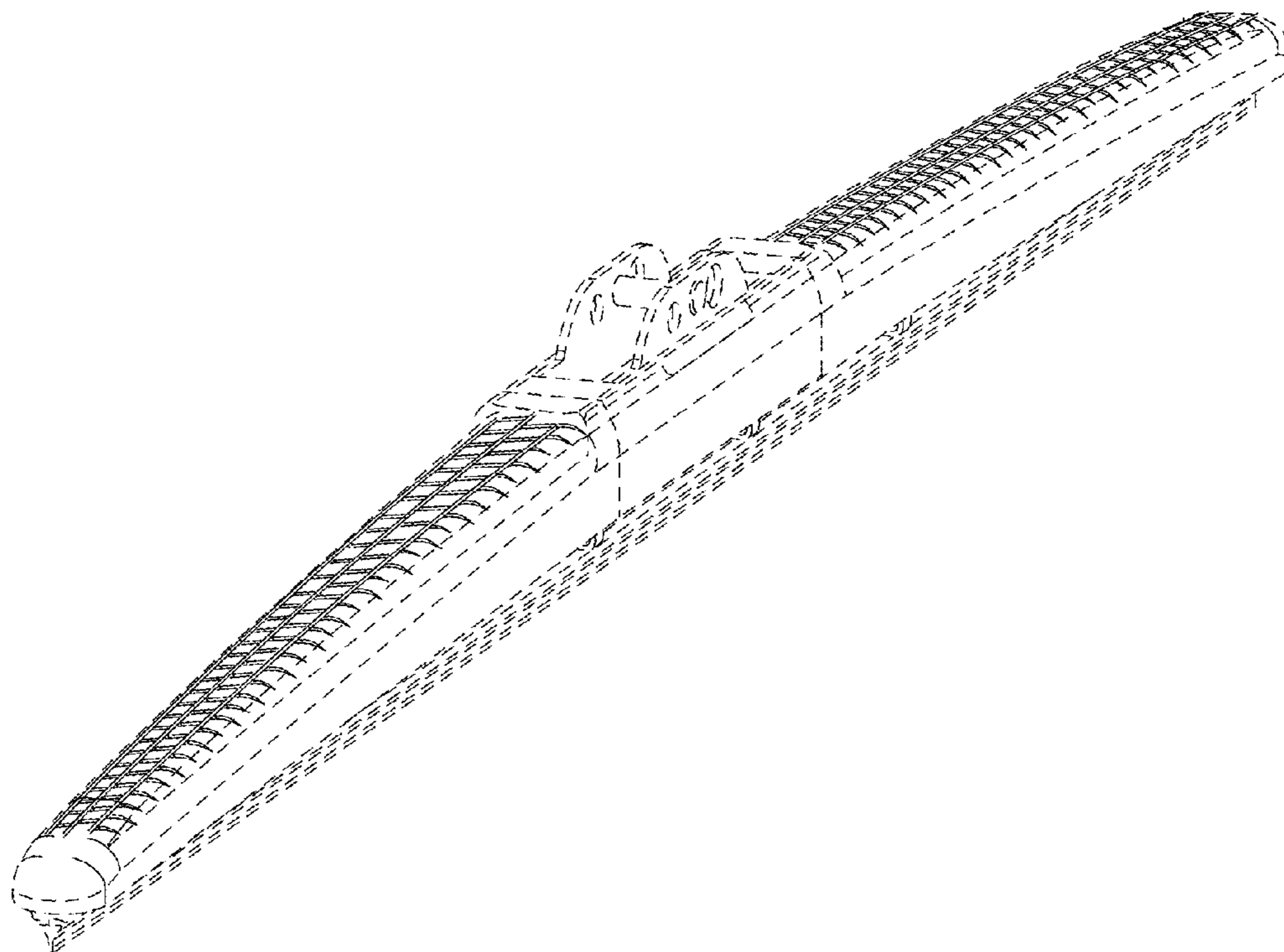


FIG. 1

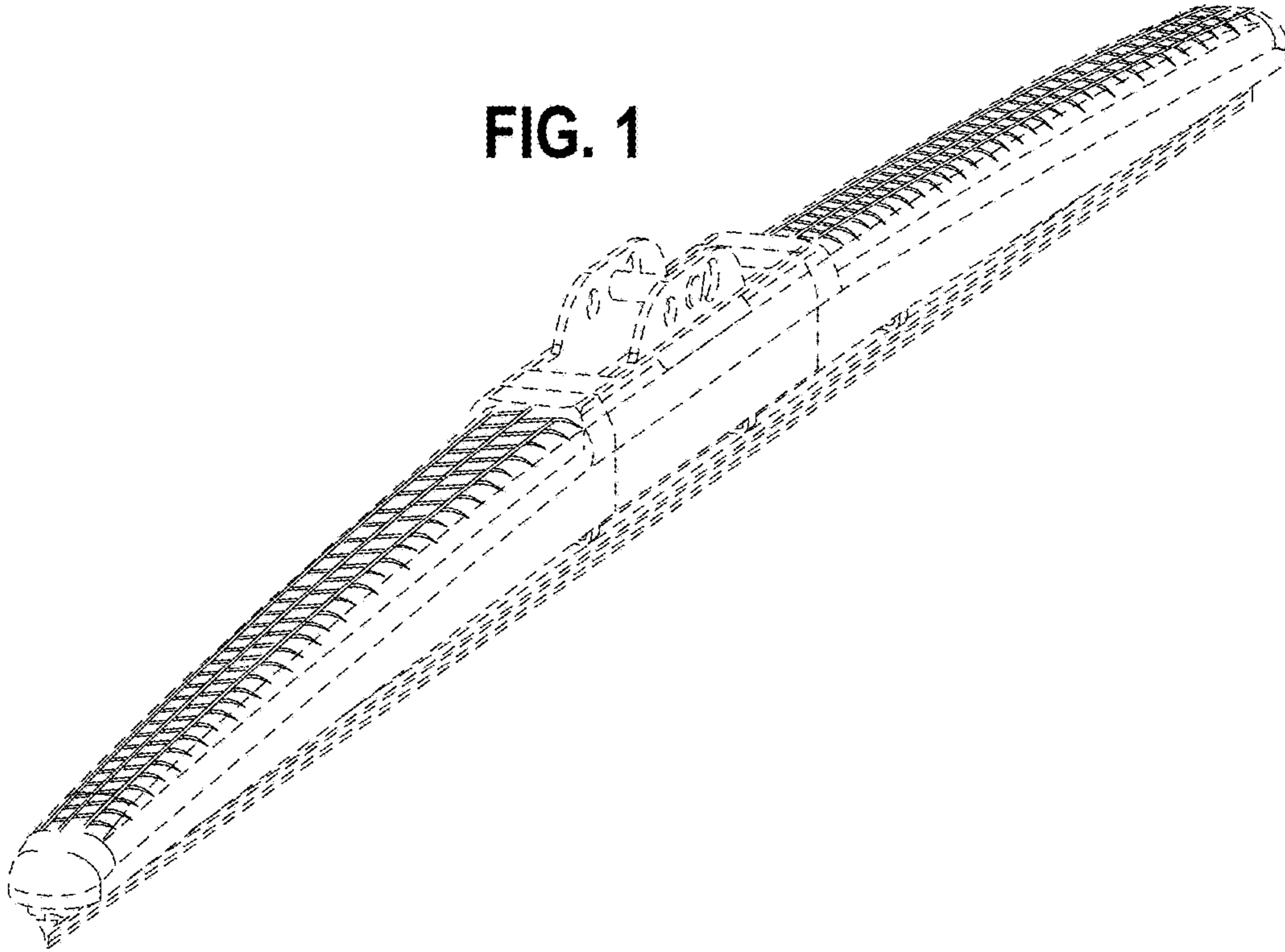


FIG. 2

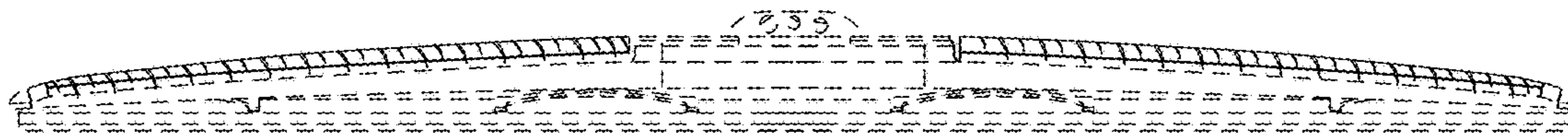


FIG. 3

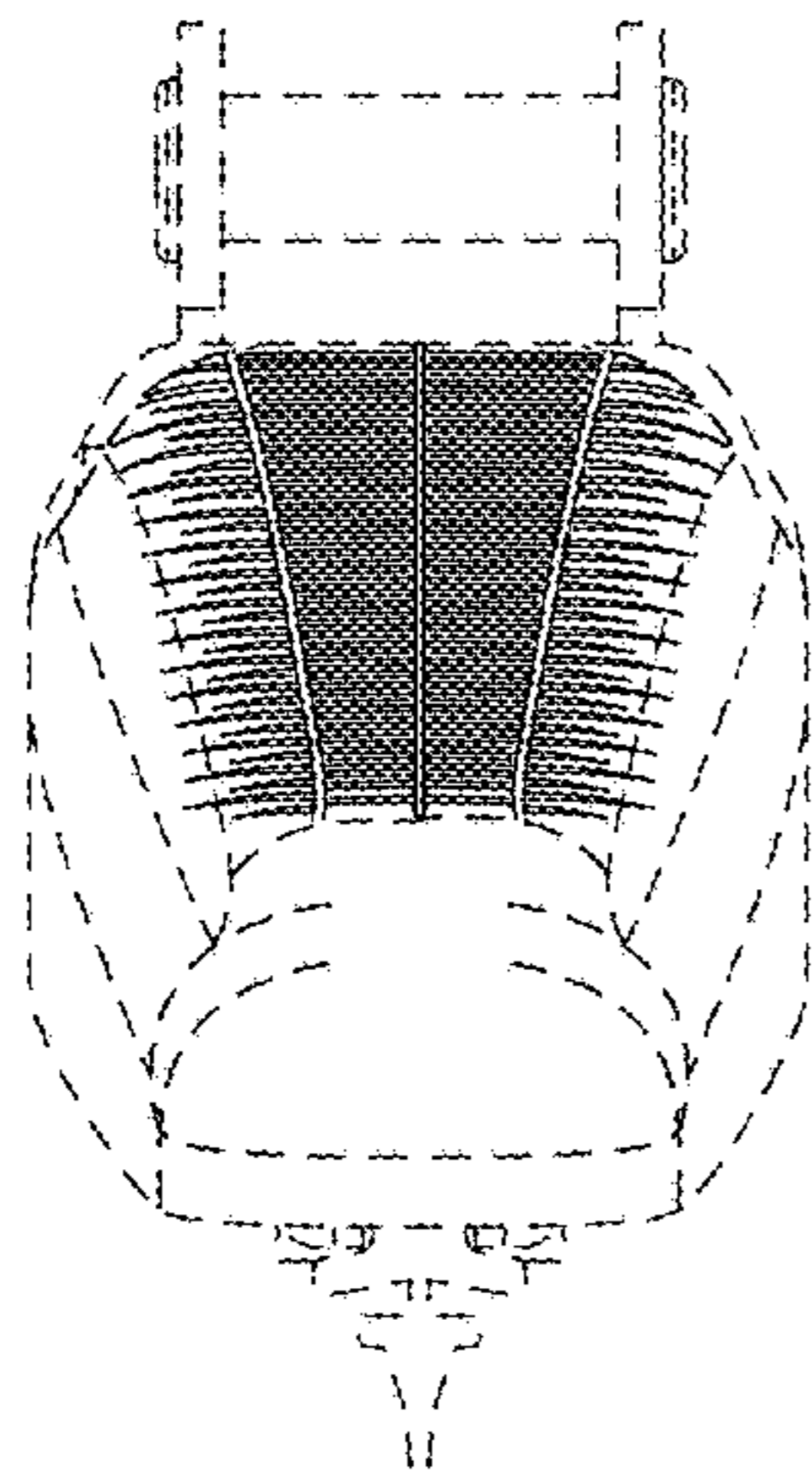


FIG. 4

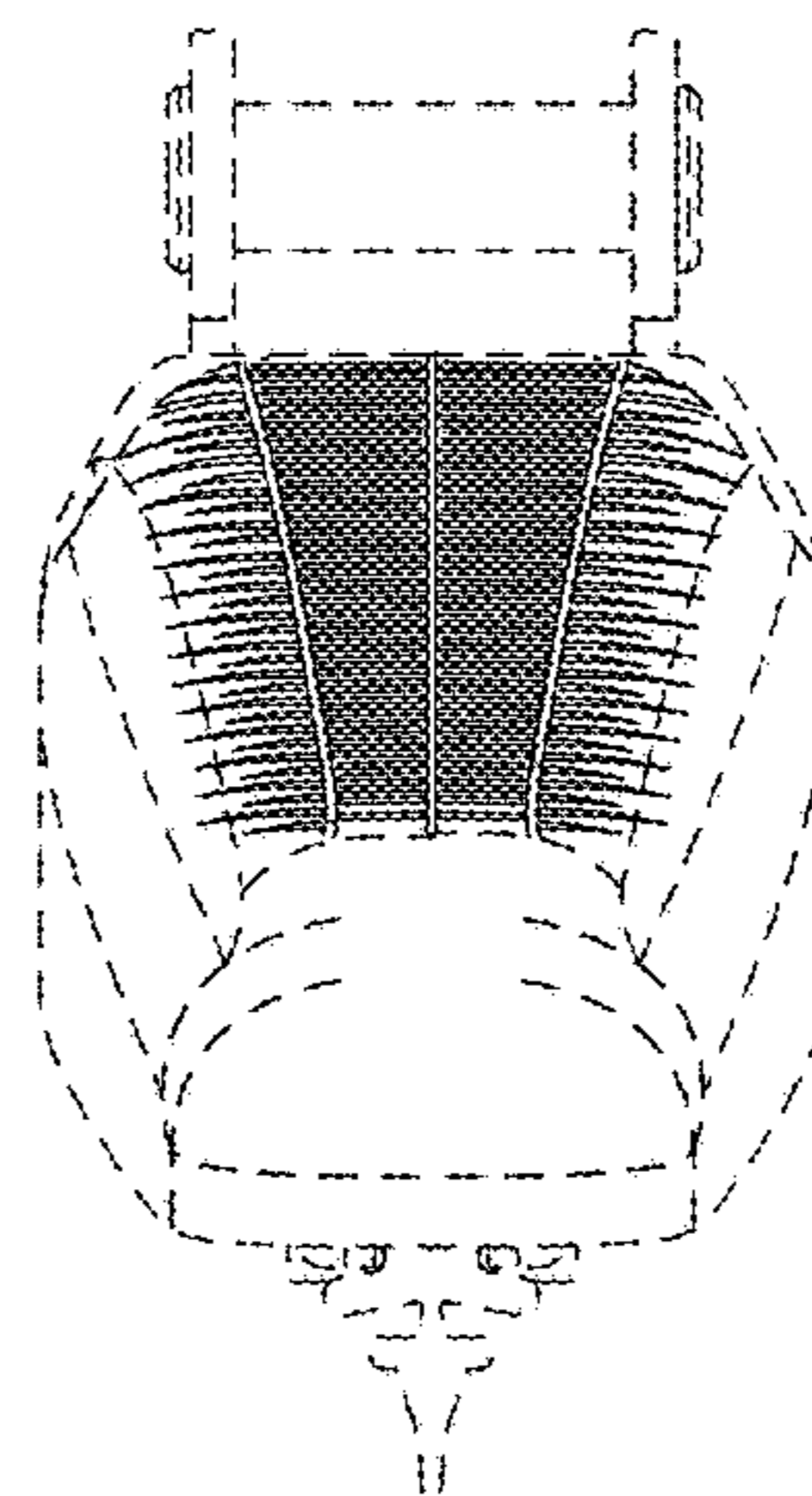


FIG. 5

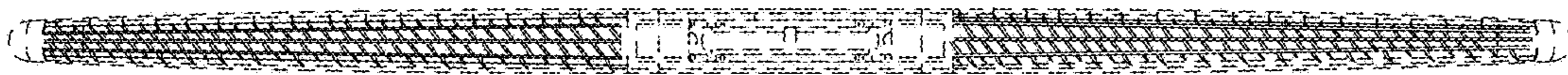


FIG. 6



FIG. 7

