



US00D796410S

(12) **United States Design Patent**
Churchill et al.

(10) **Patent No.:** **US D796,410 S**

(45) **Date of Patent:** **** Sep. 5, 2017**

(54) **WHEEL**

(71) Applicant: **HONDA MOTOR CO., LTD.**,
Minato-ku, Tokyo (JP)

(72) Inventors: **Michael Churchill**, Torrance, CA (US);
Roger Brown, Corona, CA (US)

(73) Assignee: **HONDA MOTOR CO., LTD.**, Toyko
(JP)

(**) Term: **15 Years**

(21) Appl. No.: **29/558,865**

(22) Filed: **Mar. 22, 2016**

(51) **LOC (10) Cl.** **12-16**

(52) **U.S. Cl.**

USPC **D12/211**

(58) **Field of Classification Search**

USPC D12/204–213

CPC B60B 7/00; B60B 7/02; B60B 7/04; B60B
7/01; B60B 3/02; B60B 3/04; B60B 3/06;
B60B 3/10; B60B 1/00; B60B 1/08;
B60B 1/10; B60B 1/12

See application file for complete search history.

(56) **References Cited**

U.S. PATENT DOCUMENTS

D520,433 S * 5/2006 Hosoi D12/211
D567,167 S * 4/2008 Forster D12/211
D594,396 S * 6/2009 Juergens D12/209
D594,802 S * 6/2009 Gustafsson D12/211

D634,691 S * 3/2011 Park D12/211
D691,938 S * 10/2013 Churchill D12/211
D693,284 S * 11/2013 Chen D12/211
D734,701 S * 7/2015 Mielke D12/209
D741,237 S * 10/2015 Furst D12/209
D747,252 S * 1/2016 Buckingham D12/211
D768,046 S * 10/2016 Patel D12/211
D769,169 S * 10/2016 Kumeya D12/211

* cited by examiner

Primary Examiner — Stacia Cadmus

(74) *Attorney, Agent, or Firm* — Arent Fox LLP

(57) **CLAIM**

The ornamental design for a wheel, as shown and described.

DESCRIPTION

FIG. 1 is a front left perspective view of a wheel showing our new design;

FIG. 2 is a back right perspective view of the design shown in FIG. 1;

FIG. 3 is a back left perspective view of the design shown in FIG. 1;

FIG. 4 is a front right perspective view shown in FIG. 1;

FIG. 5 is a left side view of the design shown in FIG. 1;

FIG. 6 is a right side view of the design shown in FIG. 1;

FIG. 7 is a back view of the design shown in FIG. 1;

FIG. 8 is a front view of the design shown in FIG. 1;

FIG. 9 is a top side view of the design shown in FIG. 1; and,

FIG. 10 is a bottom side view of the design shown in FIG. 1.

1 Claim, 10 Drawing Sheets

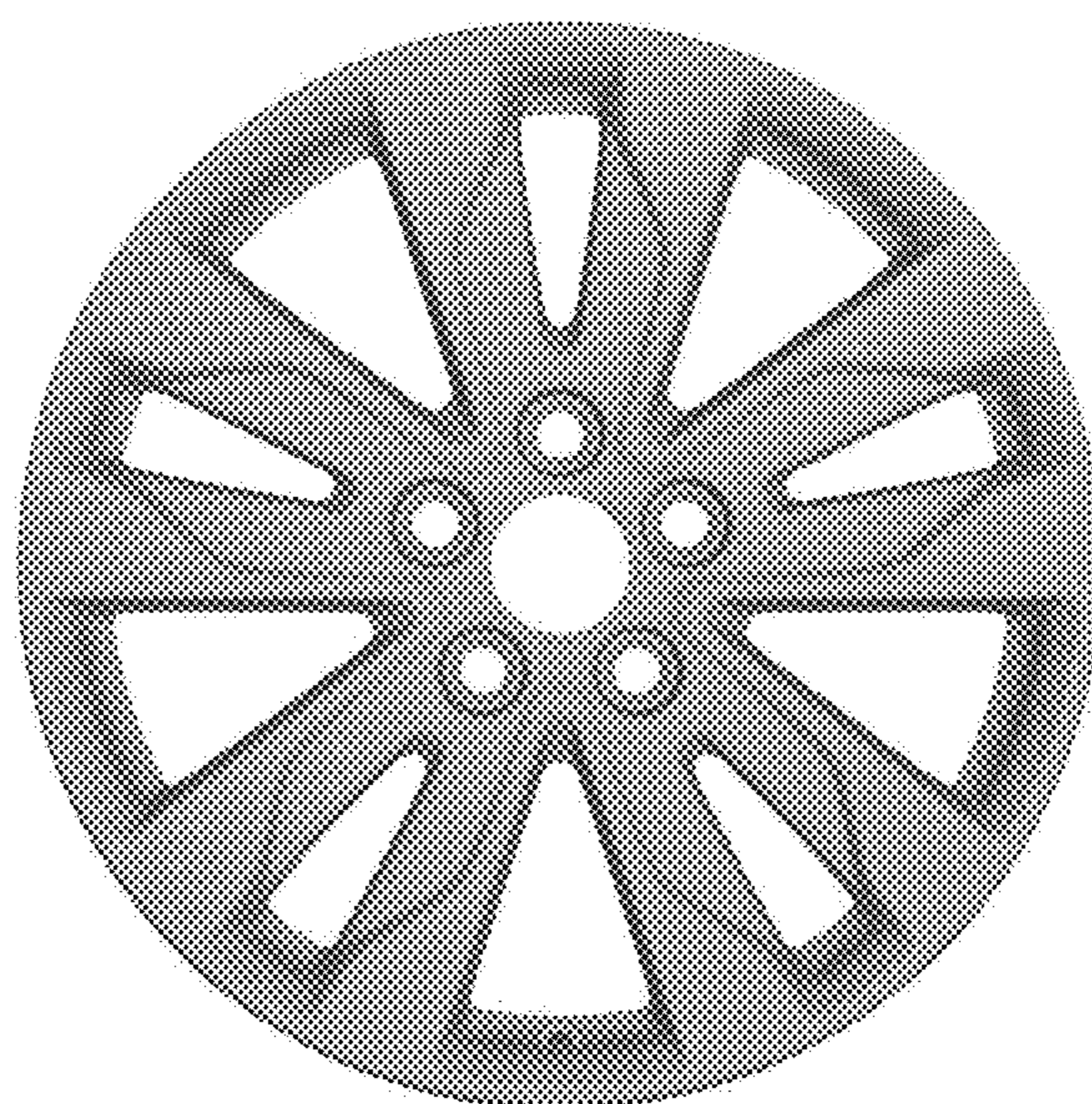
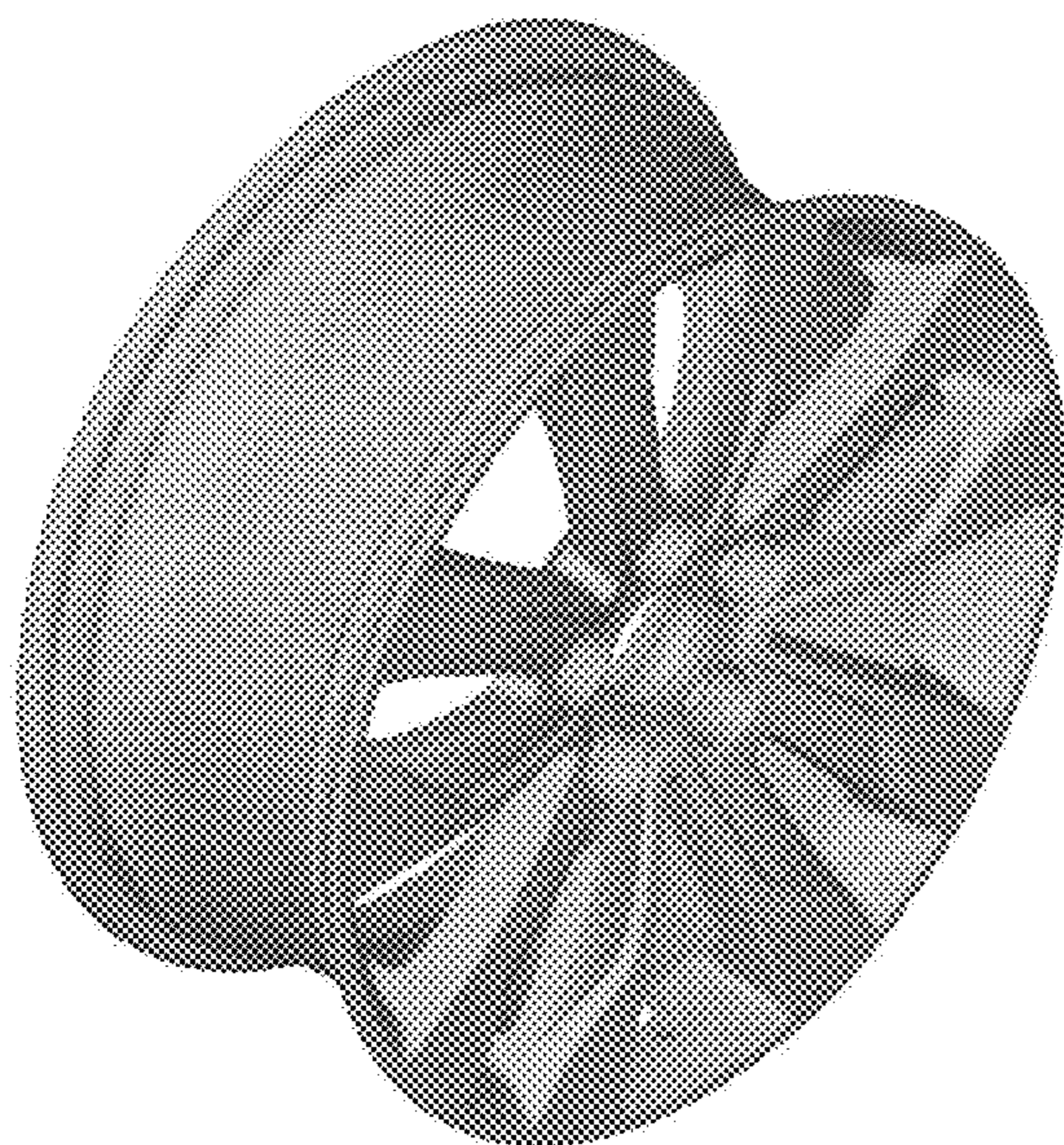




Figure 1

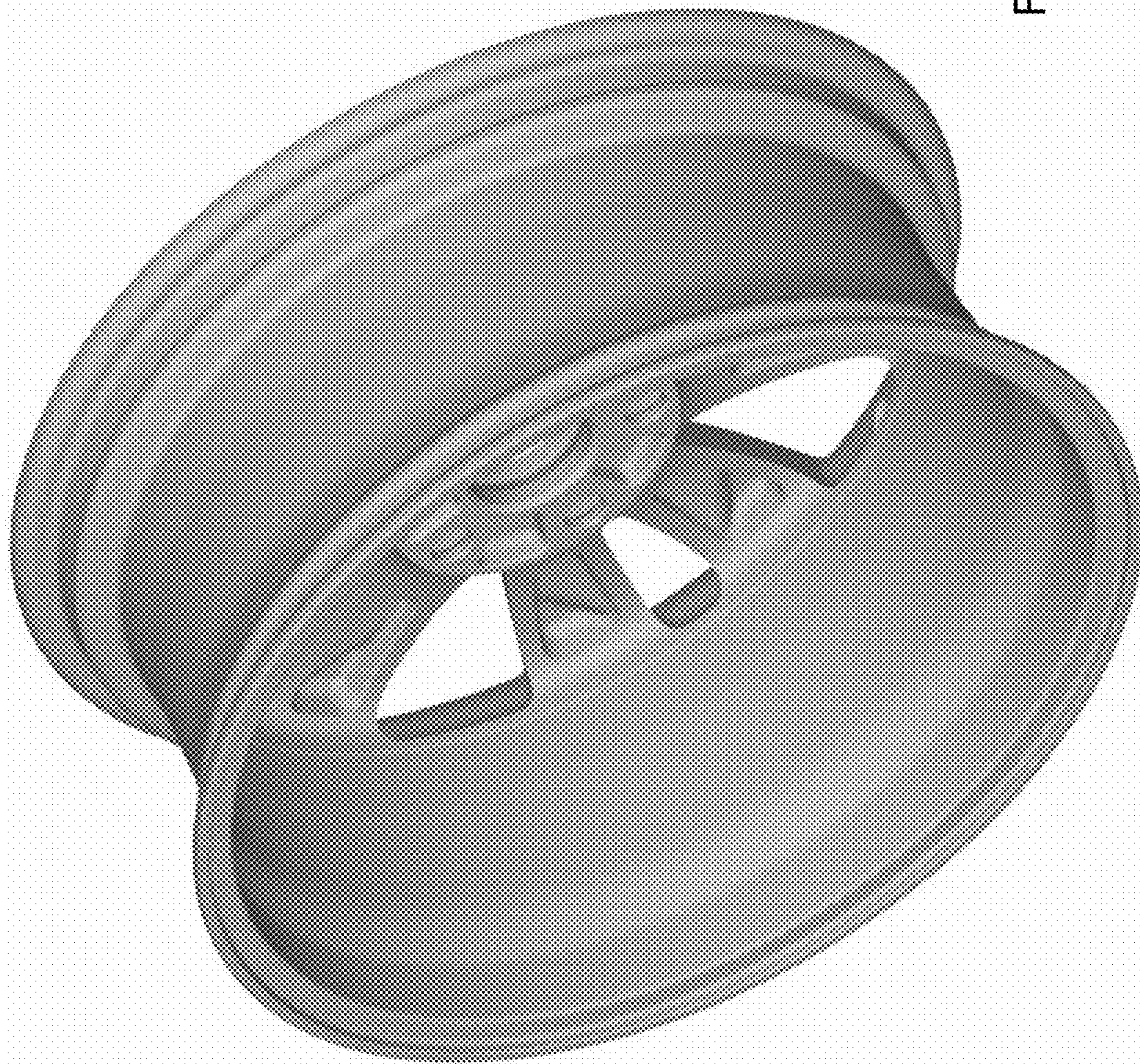


Figure 2

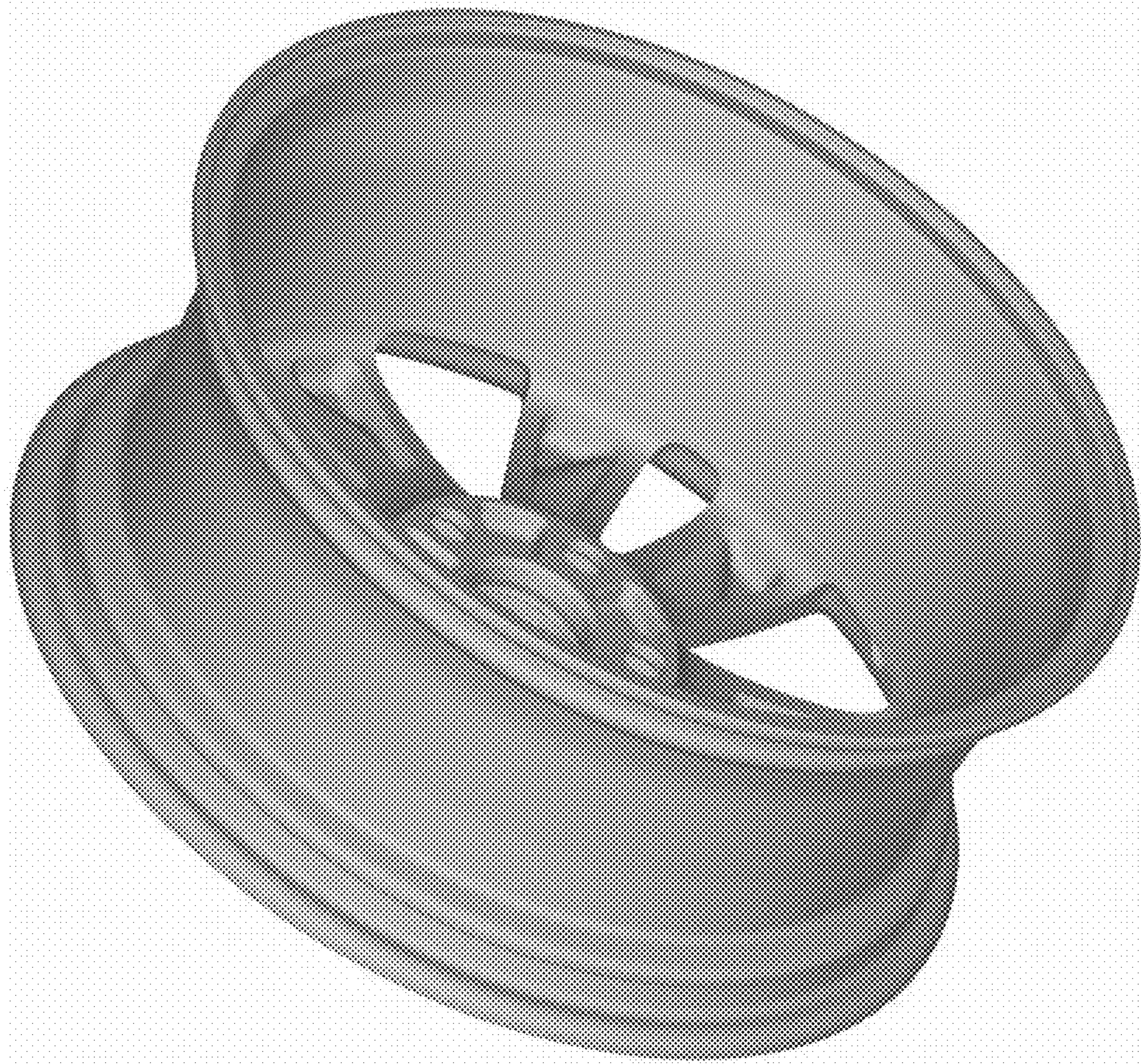


Figure 3

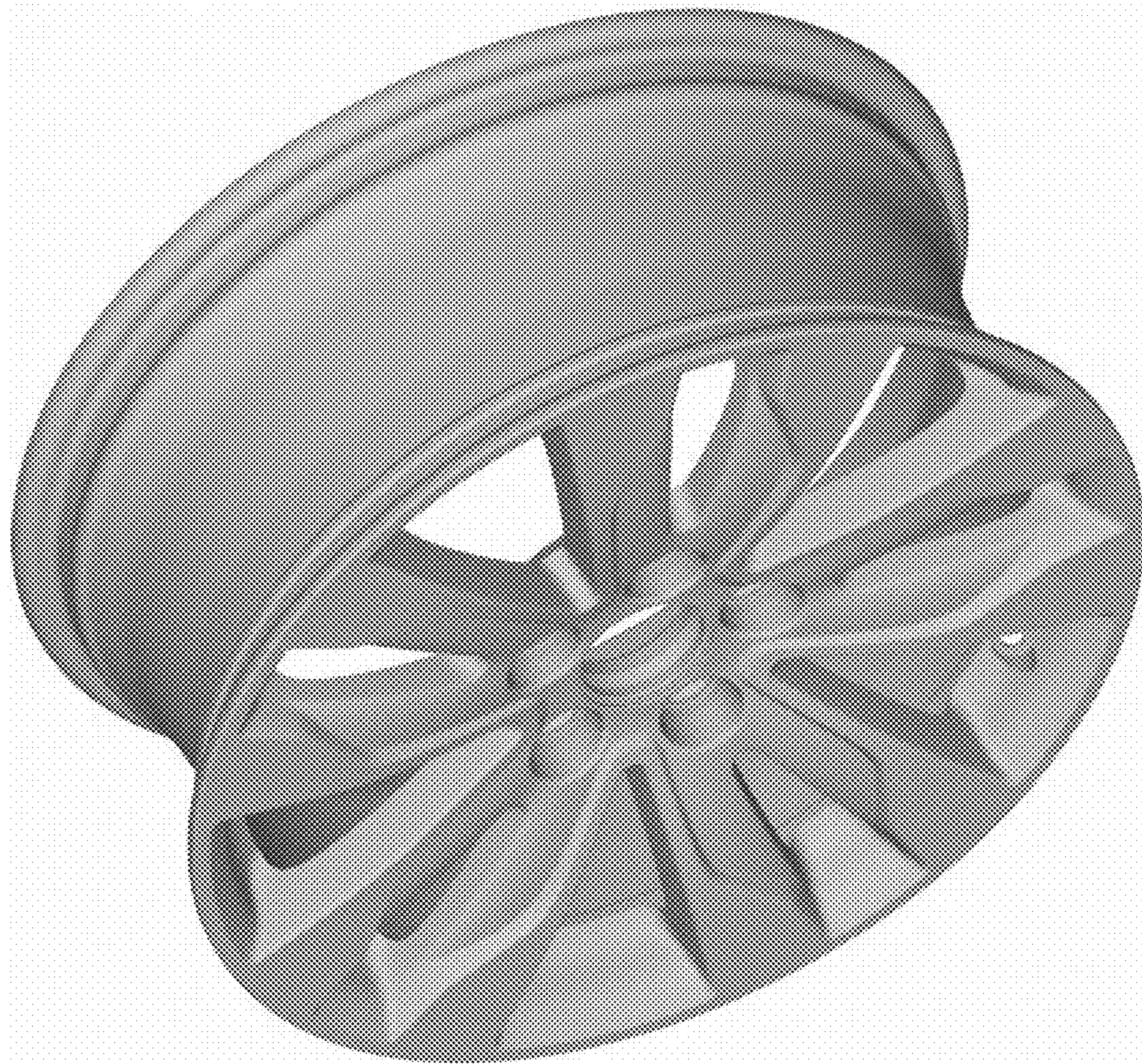


Figure 4

Figure 5

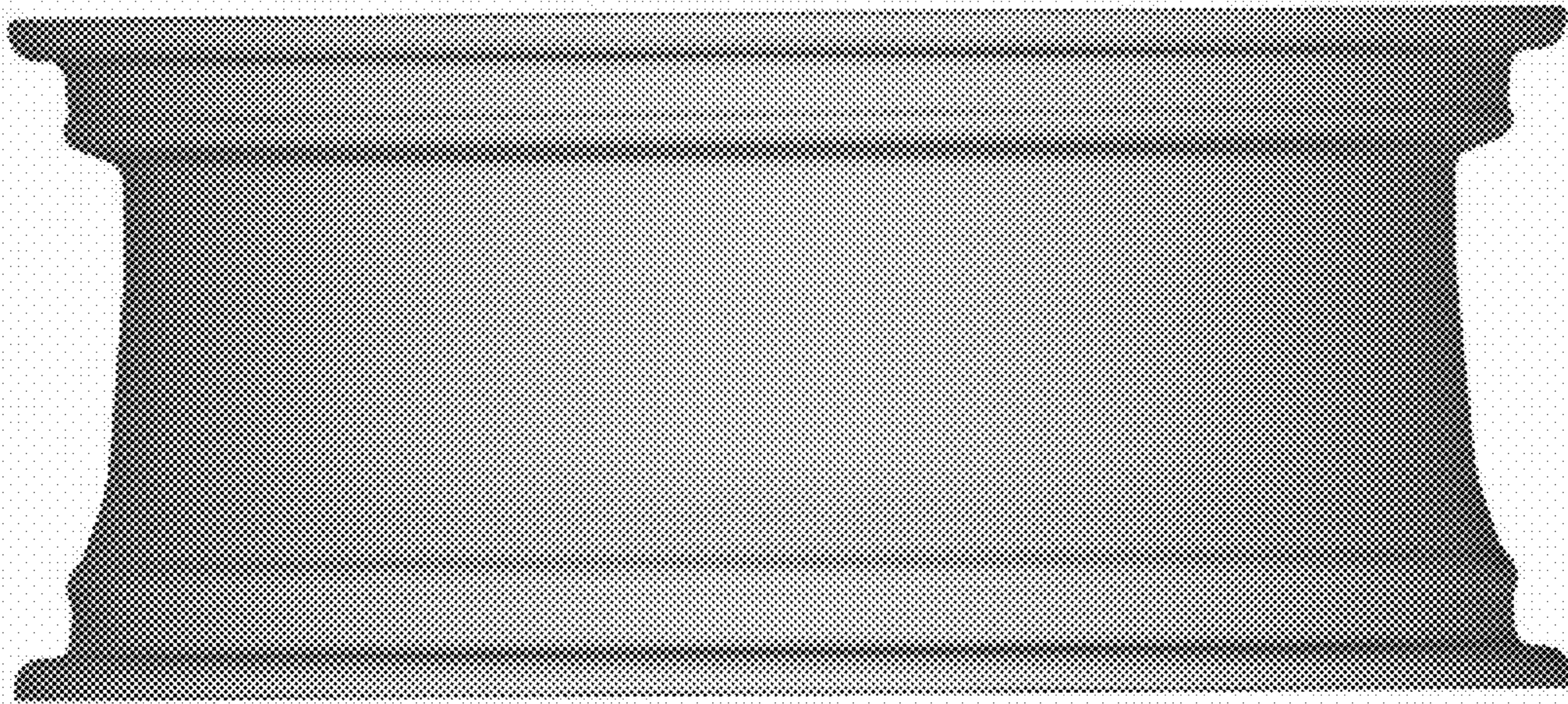


Figure 6

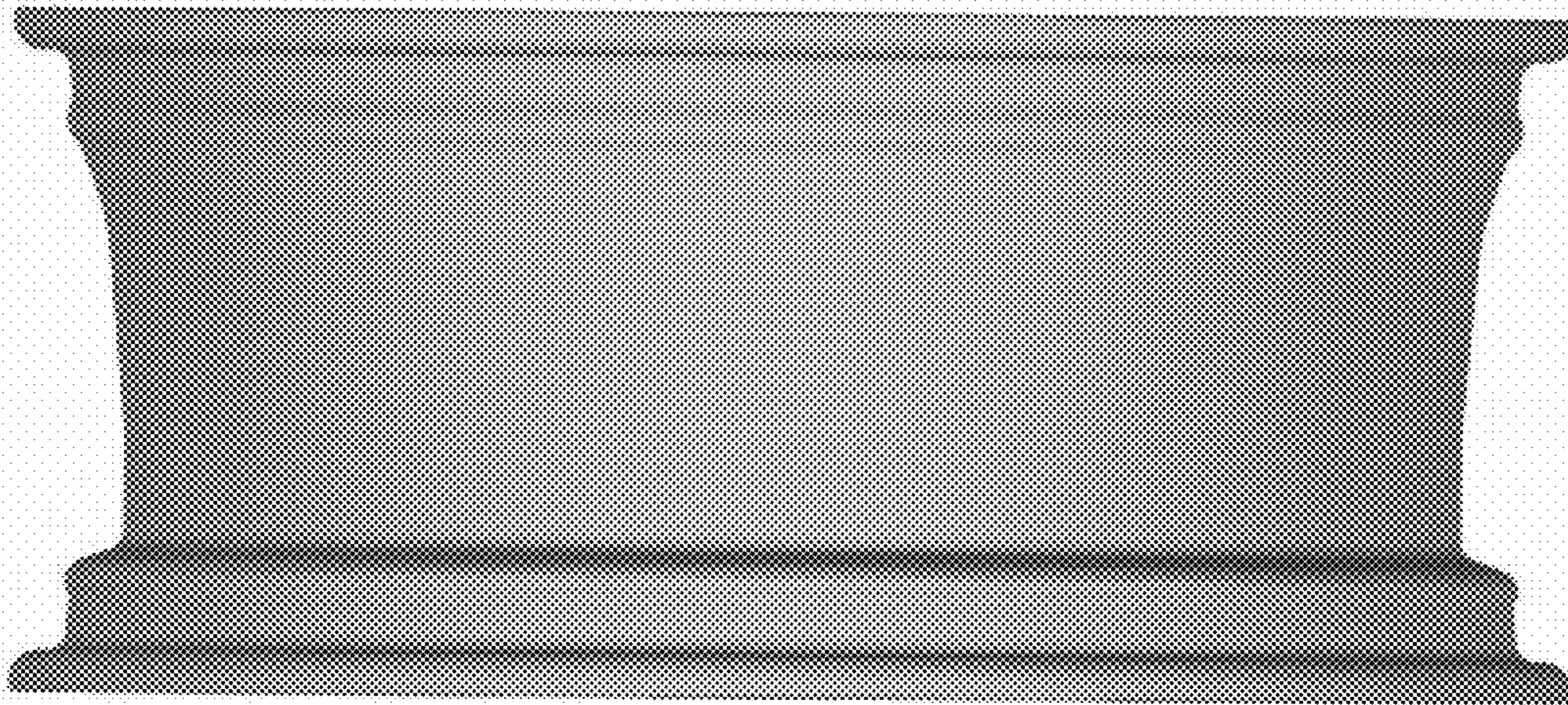




Figure 7

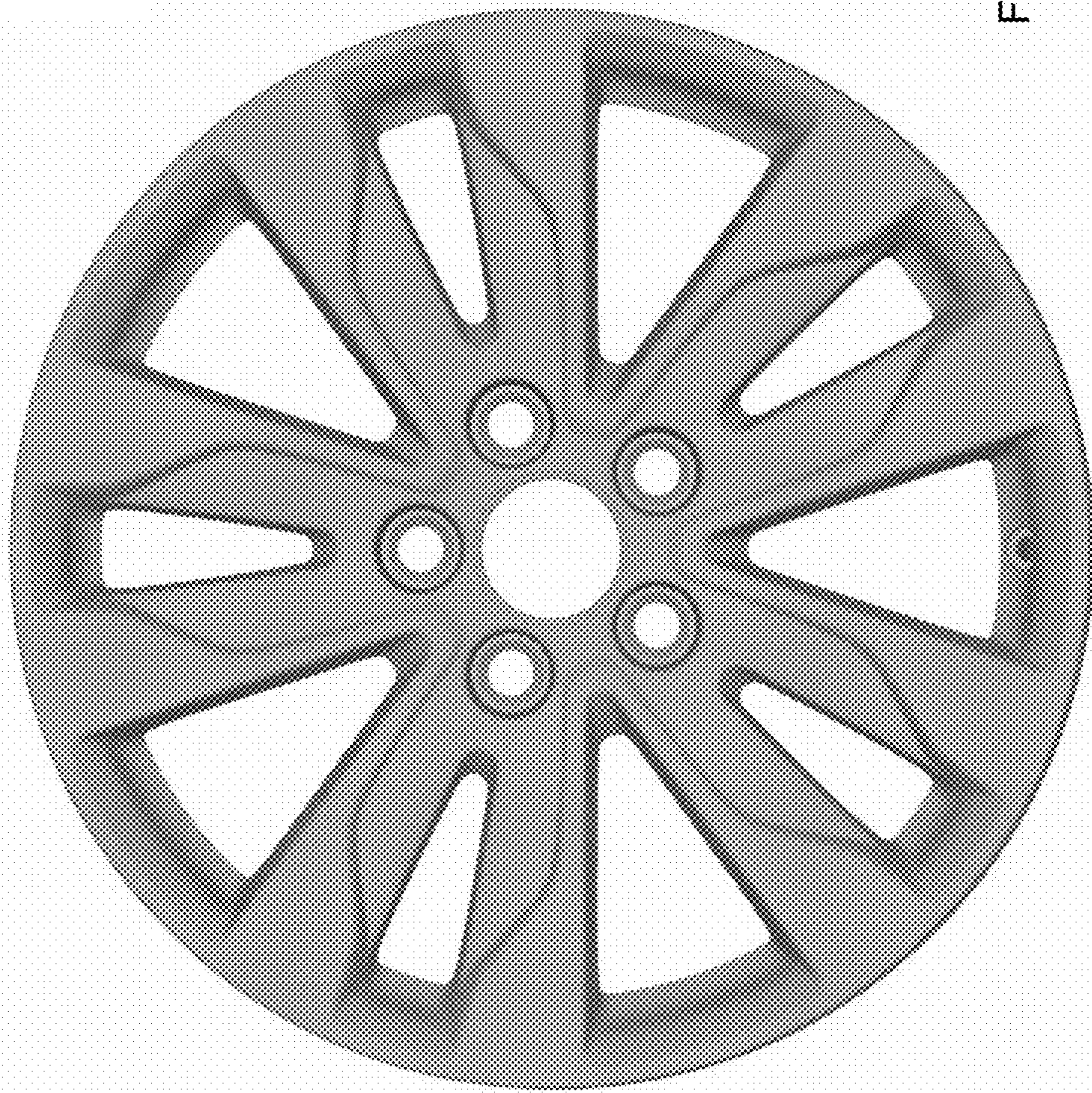


Figure 8

Figure 9

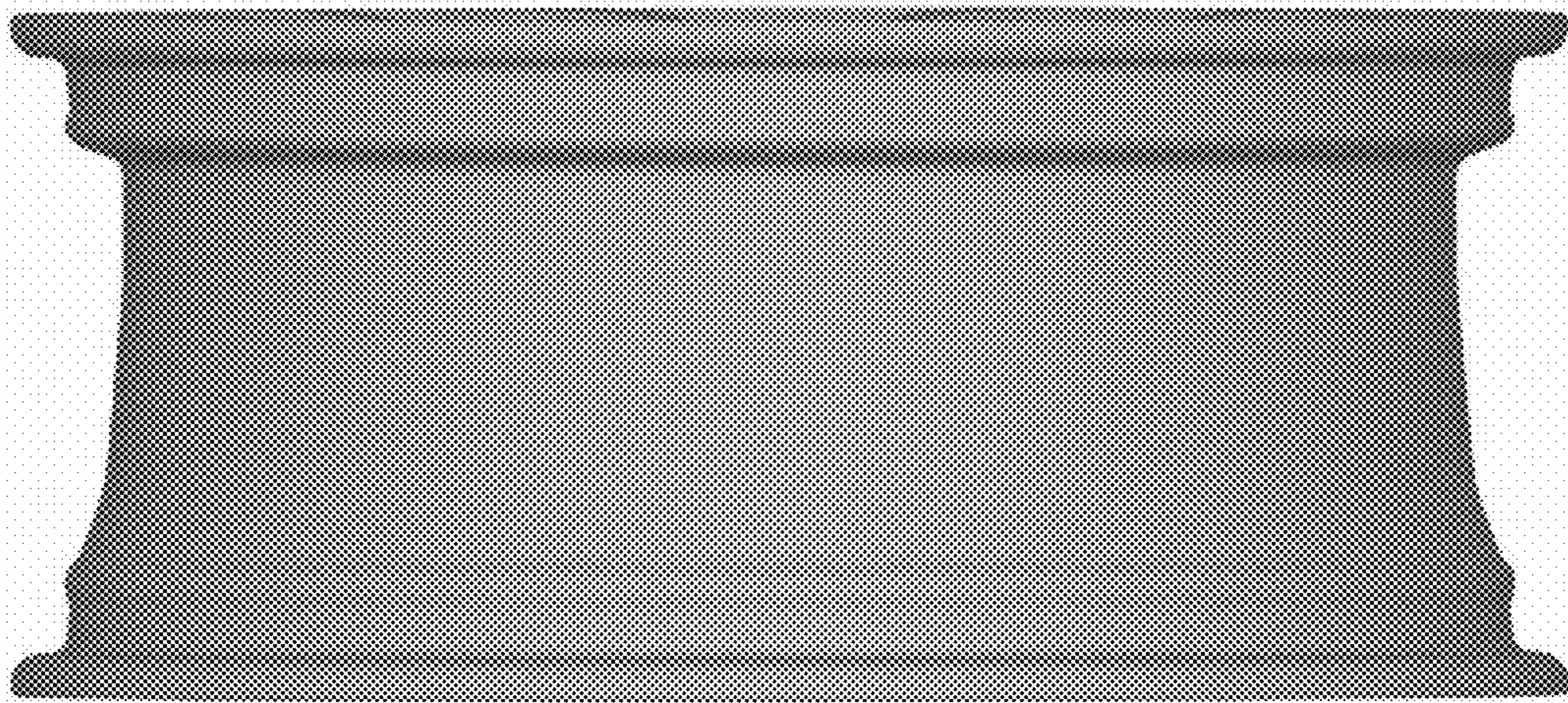


Figure 10

