



US00D796405S

(12) **United States Design Patent**
Atkins

(10) **Patent No.:** **US D796,405 S**

(45) **Date of Patent:** **** Sep. 5, 2017**

(54) **HITCH STEP**

(71) Applicant: **Terry Ray Atkins**, Fair Play, SC (US)

(72) Inventor: **Terry Ray Atkins**, Fair Play, SC (US)

(**) Term: **15 Years**

(21) Appl. No.: **29/557,694**

(22) Filed: **Mar. 10, 2016**

(51) **LOC (10) Cl.** **12-16**

(52) **U.S. Cl.**
USPC **D12/203**

(58) **Field of Classification Search**
USPC D12/203, 125; D25/62, 63, 64, 65, 68,
D25/69, 156
CPC .. B60R 3/002; B60R 3/02; B60R 3/00; B60R
3/005; B60R 3/007
See application file for complete search history.

(56) **References Cited**

U.S. PATENT DOCUMENTS

D214,558 S *	7/1969	Mulford	D12/203
4,108,457 A *	8/1978	Garrett	B60R 3/02 105/447
H421 H *	2/1988	Glommen	B60R 3/00 180/904
4,947,961 A *	8/1990	Dudley	B60R 3/007 182/150
5,007,654 A *	4/1991	Sauber	B60R 3/02 182/89
D340,904 S *	11/1993	Bevier	D12/203
D343,692 S *	1/1994	Rainio	D25/69
D370,452 S *	6/1996	Beasley	D12/203
D412,754 S *	8/1999	Harden	D25/69
5,941,342 A *	8/1999	Lee	B60R 3/02 182/127
D440,931 S *	4/2001	Knight, III	D12/203
6,767,023 B1 *	7/2004	Nicholson	B60R 3/007 182/127

6,817,447 B1 *	11/2004	Pedersen	E04F 11/112 182/228.1
D520,429 S *	5/2006	Woodard	D12/203
D532,118 S *	11/2006	Reese	D25/65
D573,929 S *	7/2008	Black	D12/203
D582,826 S *	12/2008	Burchett	D12/203
D606,669 S *	12/2009	Giorgi	D25/64
7,766,357 B2 *	8/2010	Arvanites	B60R 3/007 182/127
D652,776 S *	1/2012	Agoncillo	D12/203
8,251,178 B2 *	8/2012	Krobot	B60R 3/02 182/127
D713,772 S *	9/2014	Ziaylek	D12/203

(Continued)

Primary Examiner — George D. Kirschbaum

Assistant Examiner — Clese Moore, Jr.

(74) *Attorney, Agent, or Firm* — Michael J. Bootcheck, LLC

(57) **CLAIM**

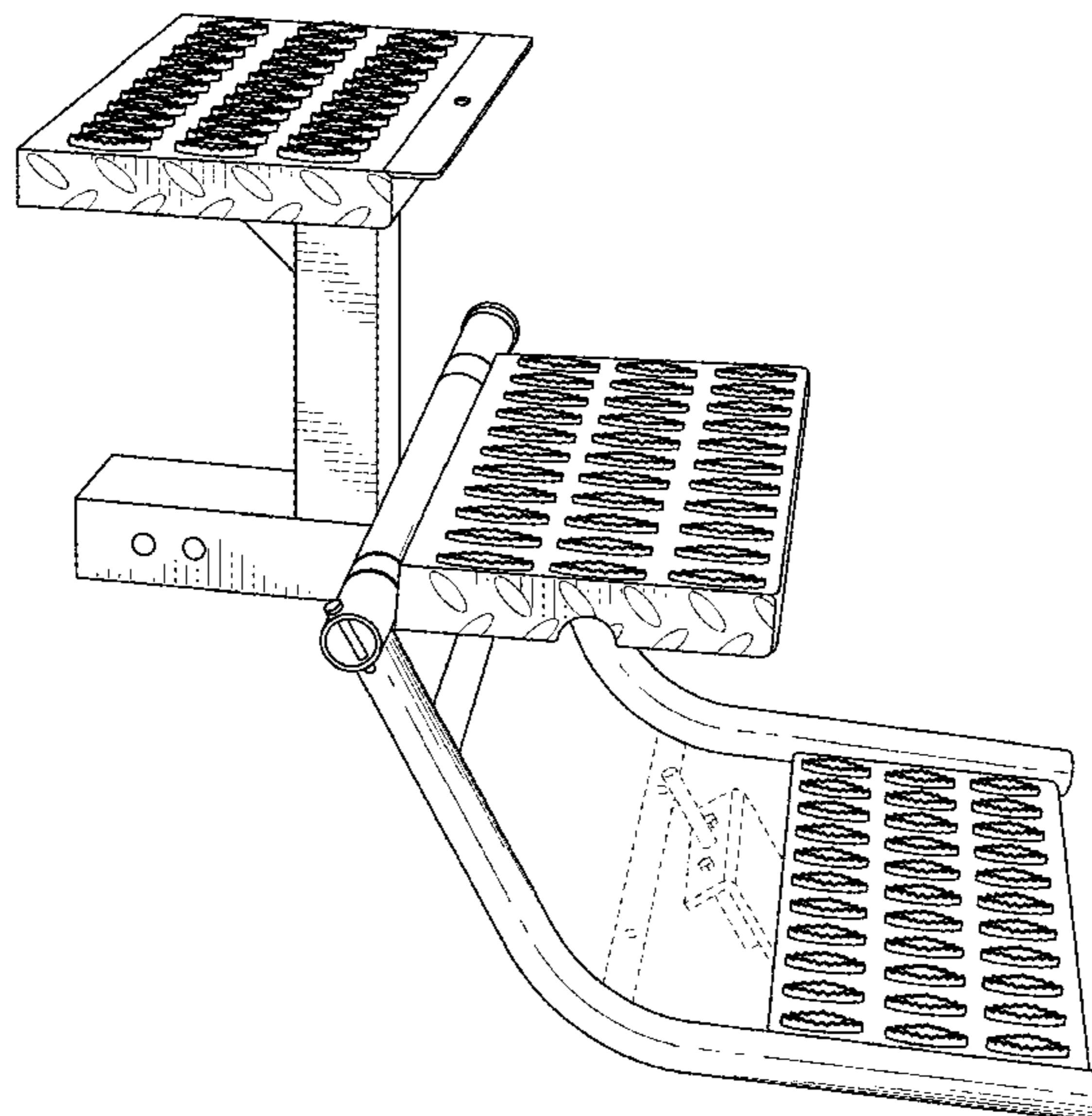
The ornamental design for a hitch step, as shown and described.

DESCRIPTION

FIG. 1 is a perspective view of a hitch step;
 FIG. 2 is an exploded view thereof;
 FIG. 3 is a front view thereof;
 FIG. 4 is a rear view thereof;
 FIG. 5 is a first side view thereof;
 FIG. 6 is a second side view thereof;
 FIG. 7 is a top view thereof;
 FIG. 8 is a bottom view thereof;
 FIG. 9 is a side view thereof with the device in an upright collapsed condition; and,
 FIG. 10 is a side view of the hitch step only showing the top step, with the collapsible steps removed for ease of illustration.

The broken lines shown illustrate portions of the hitch step that form no part of the claimed design.

1 Claim, 6 Drawing Sheets



(56)

References Cited

U.S. PATENT DOCUMENTS

D714,703 S * 10/2014 Masanek, Jr. B60D 1/36
D12/203
D719,886 S * 12/2014 Cowan D12/203
D723,984 S * 3/2015 Anderson D12/203
D727,820 S * 4/2015 Wegener D12/203
D745,704 S * 12/2015 Tesauro D25/69
D767,462 S * 9/2016 Seger D12/203
2008/0157500 A1 * 7/2008 Raley E06C 1/387
280/166
2009/0243249 A1 * 10/2009 Arvanites B60R 3/007
280/166
2013/0154230 A1 * 6/2013 Ziaylek B60R 3/02
280/166
2015/0097353 A1 * 4/2015 Rasmussen B60R 3/02
280/166

* cited by examiner

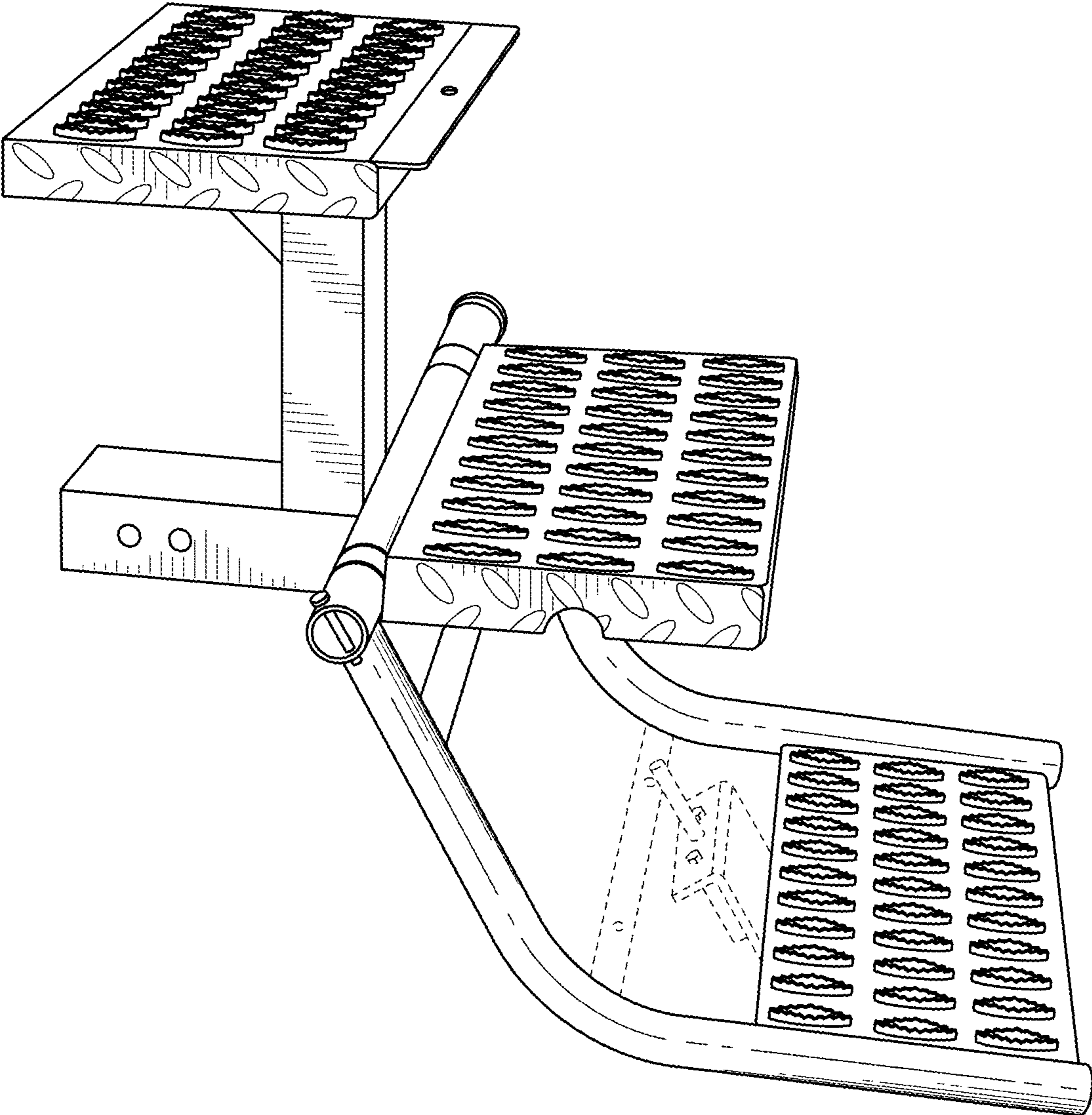


FIG. 1

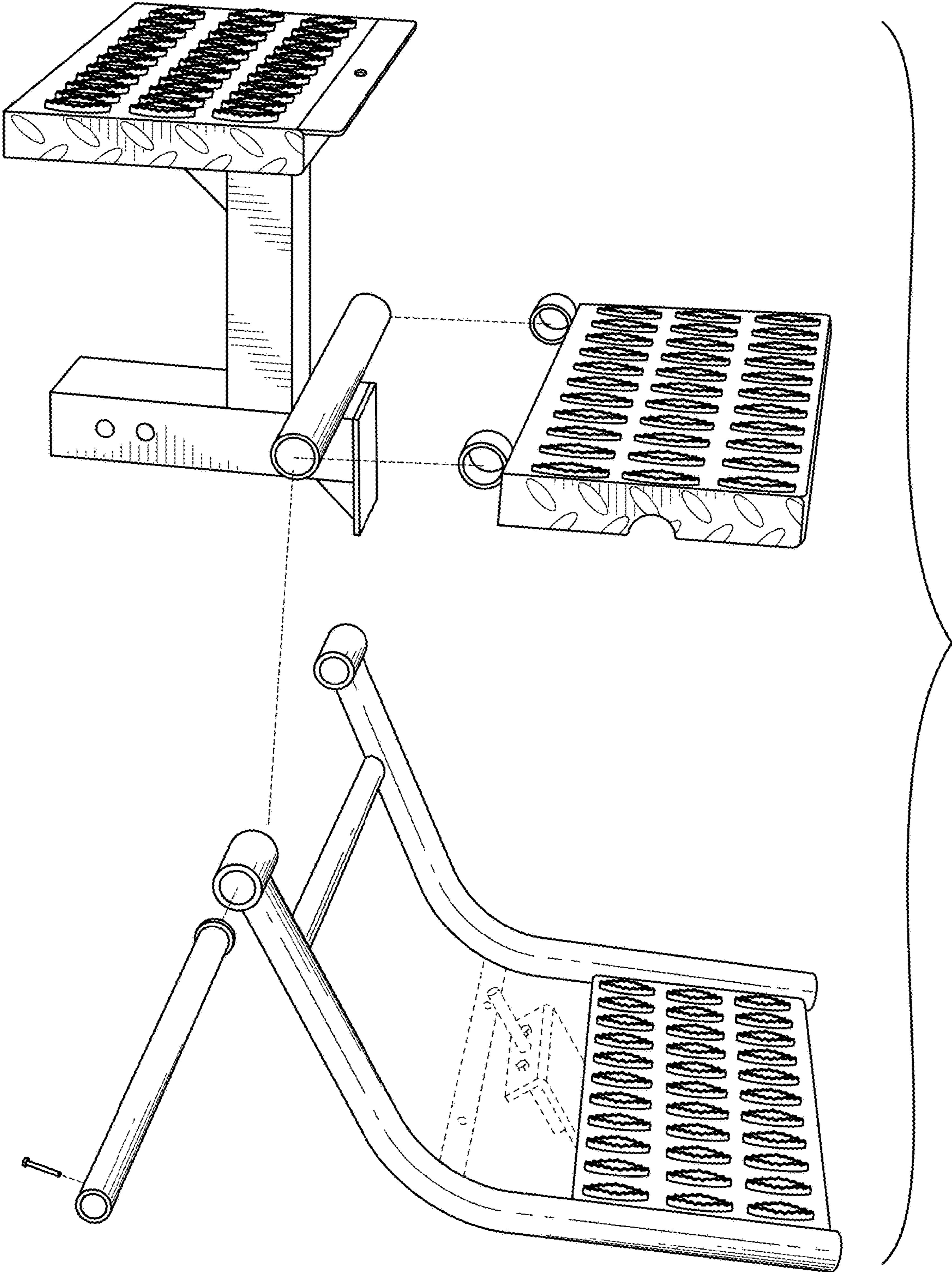


FIG. 2

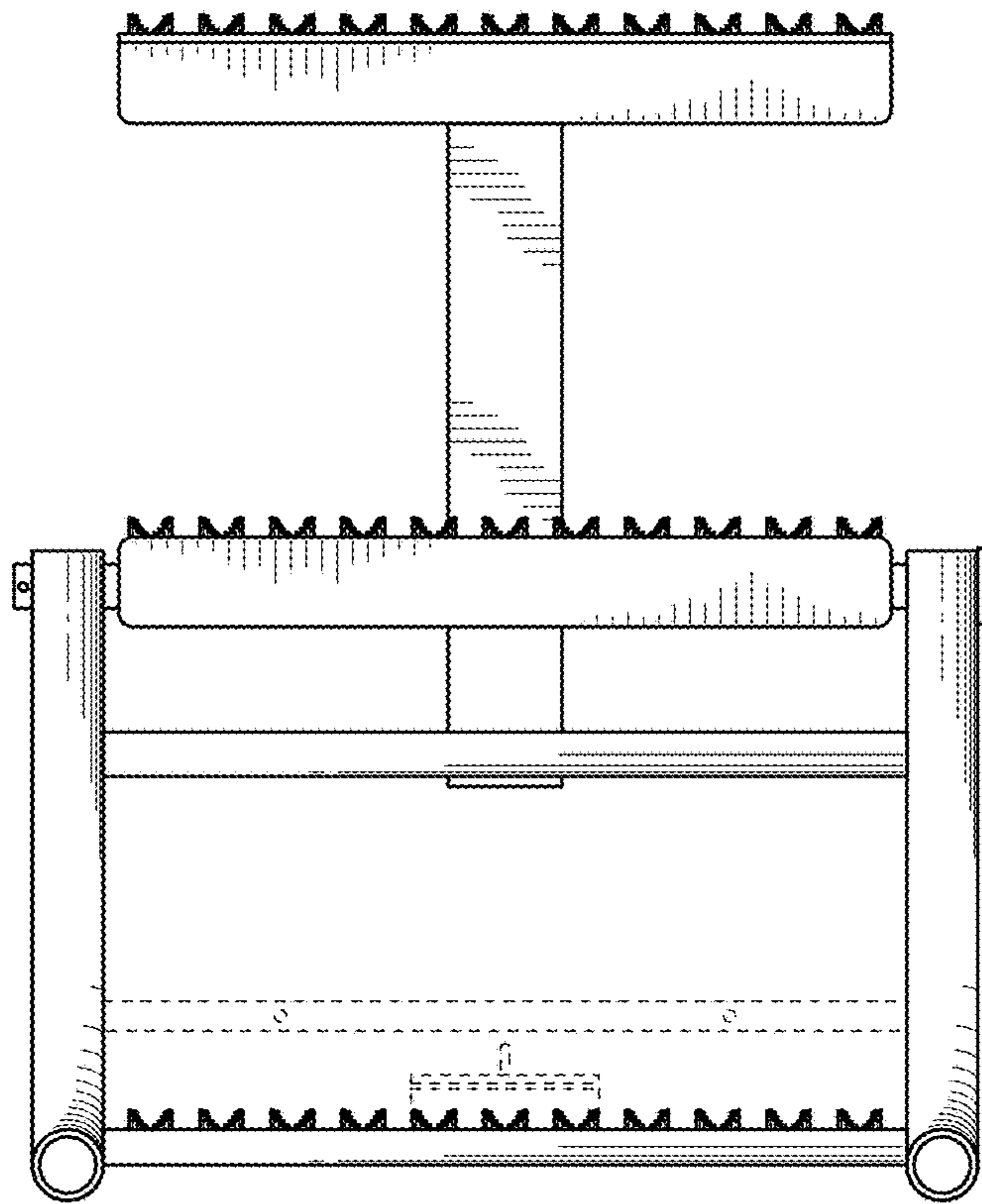


FIG. 3

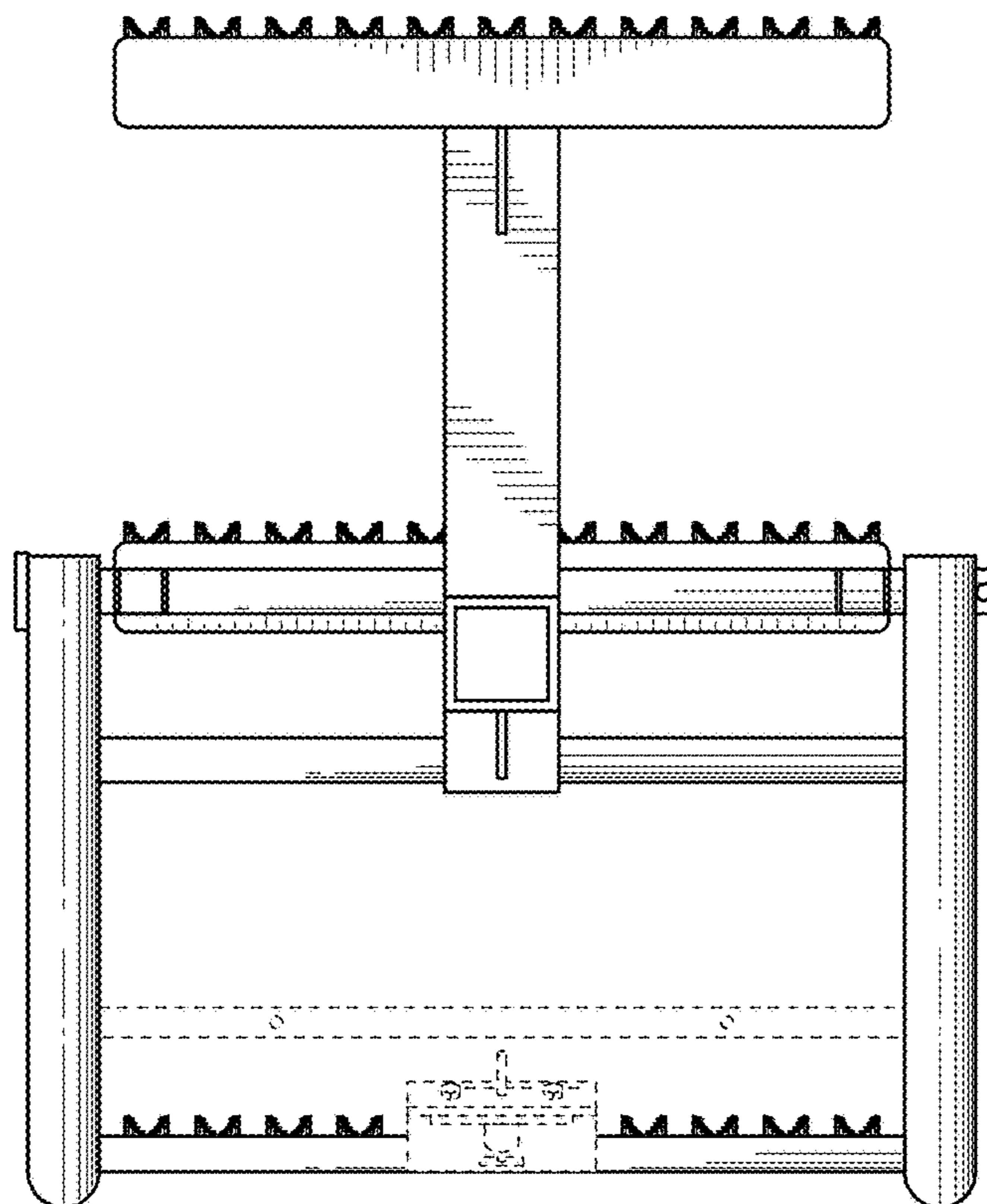


FIG. 4

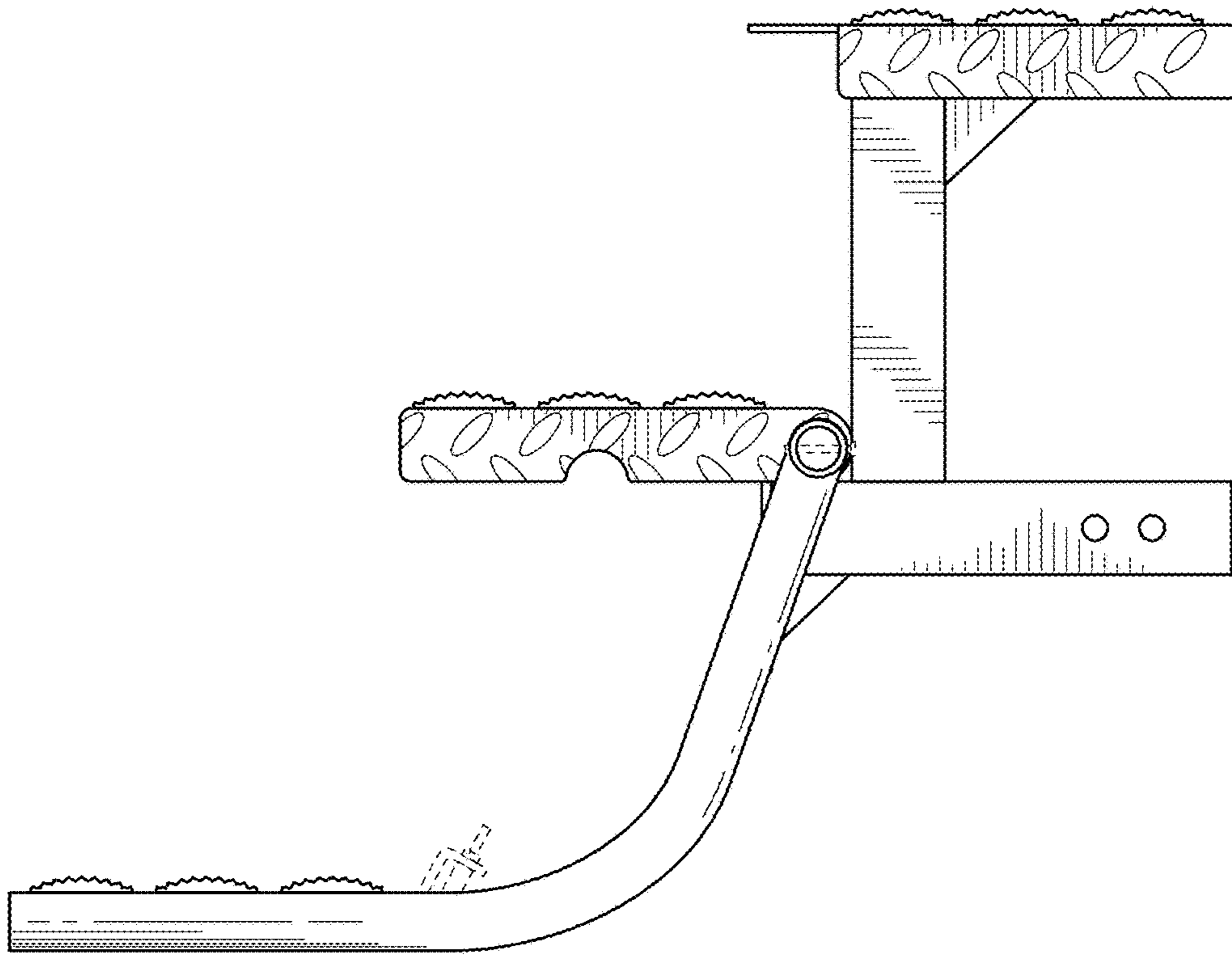


FIG. 5

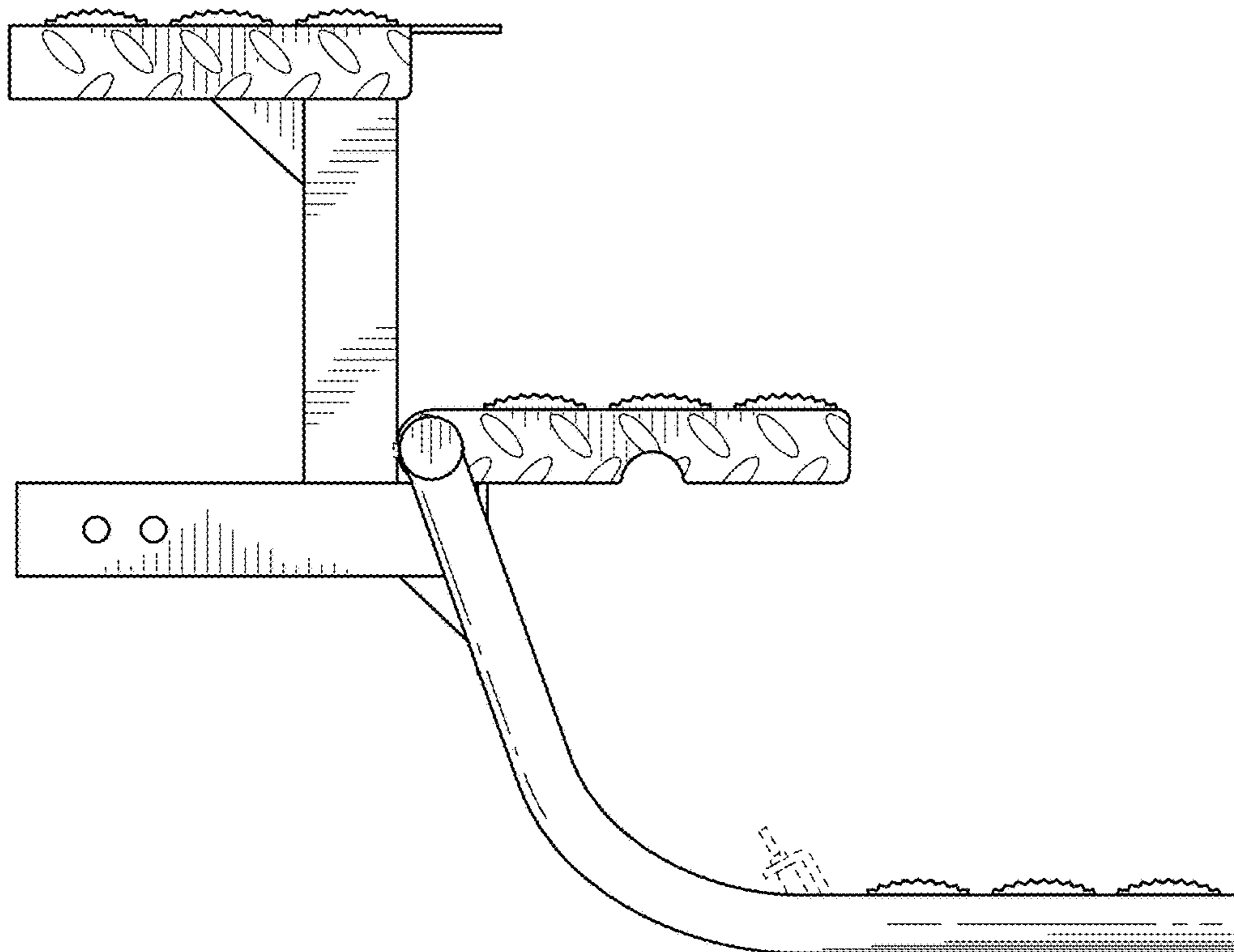


FIG. 6

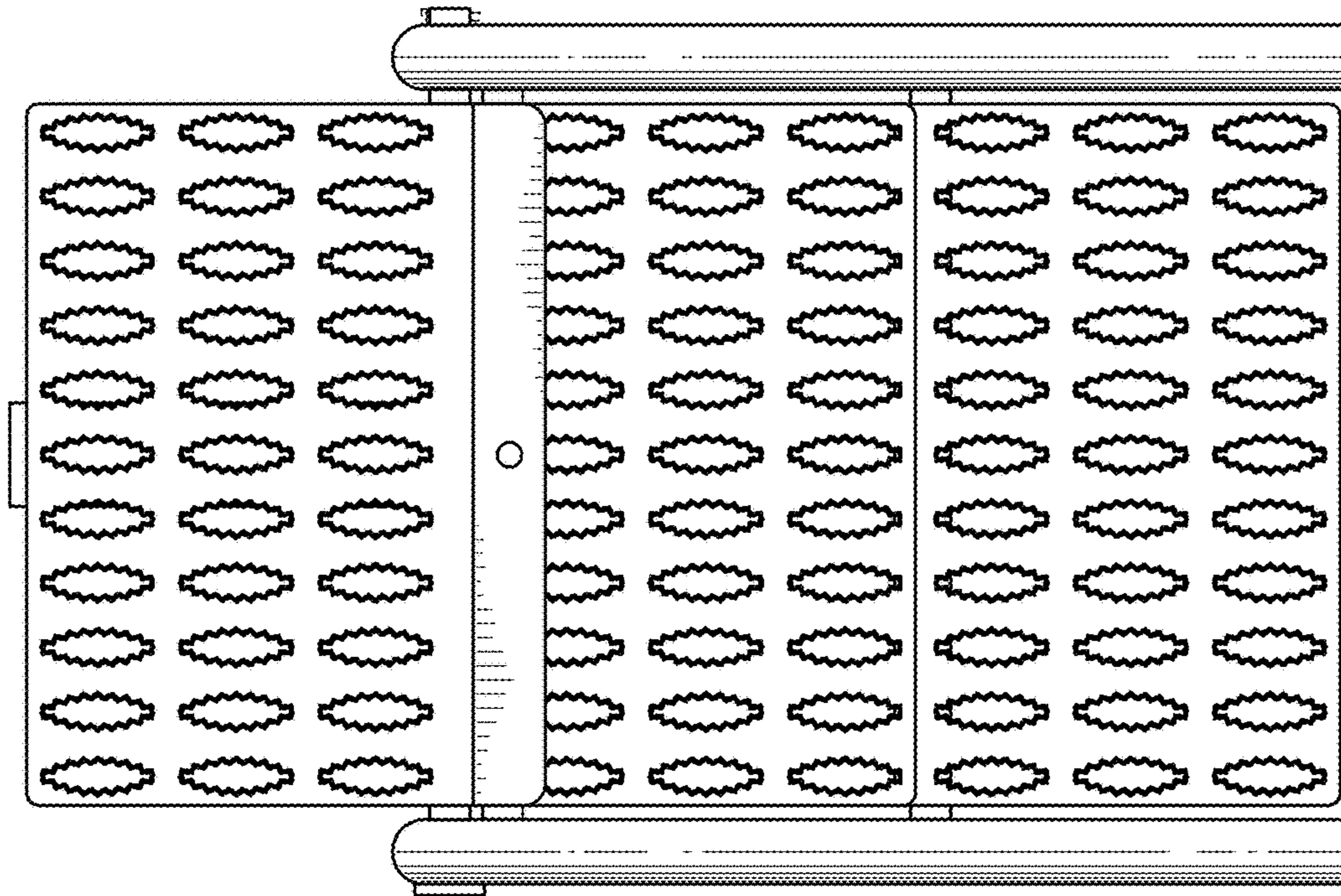


FIG. 7

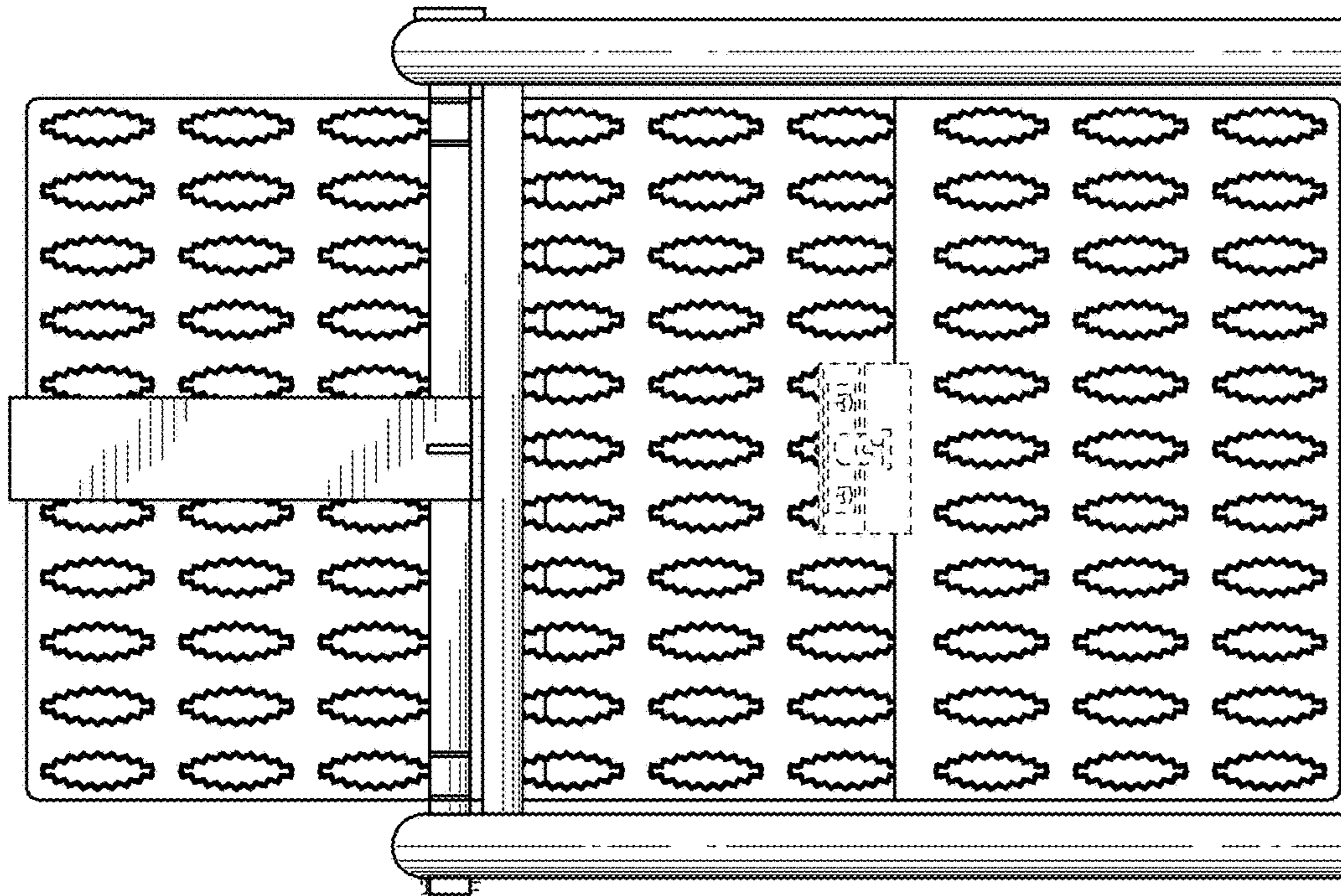


FIG. 8

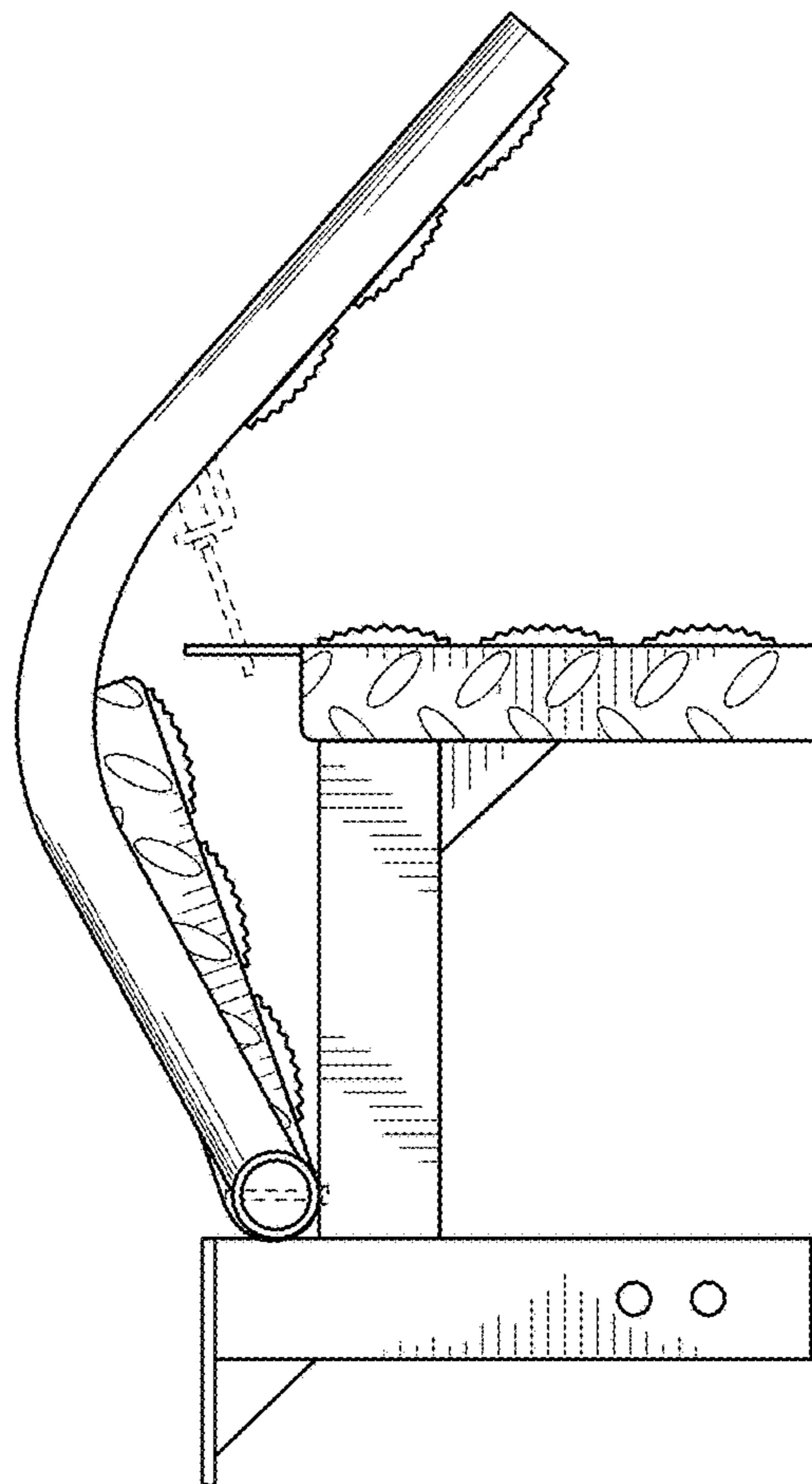


FIG. 9

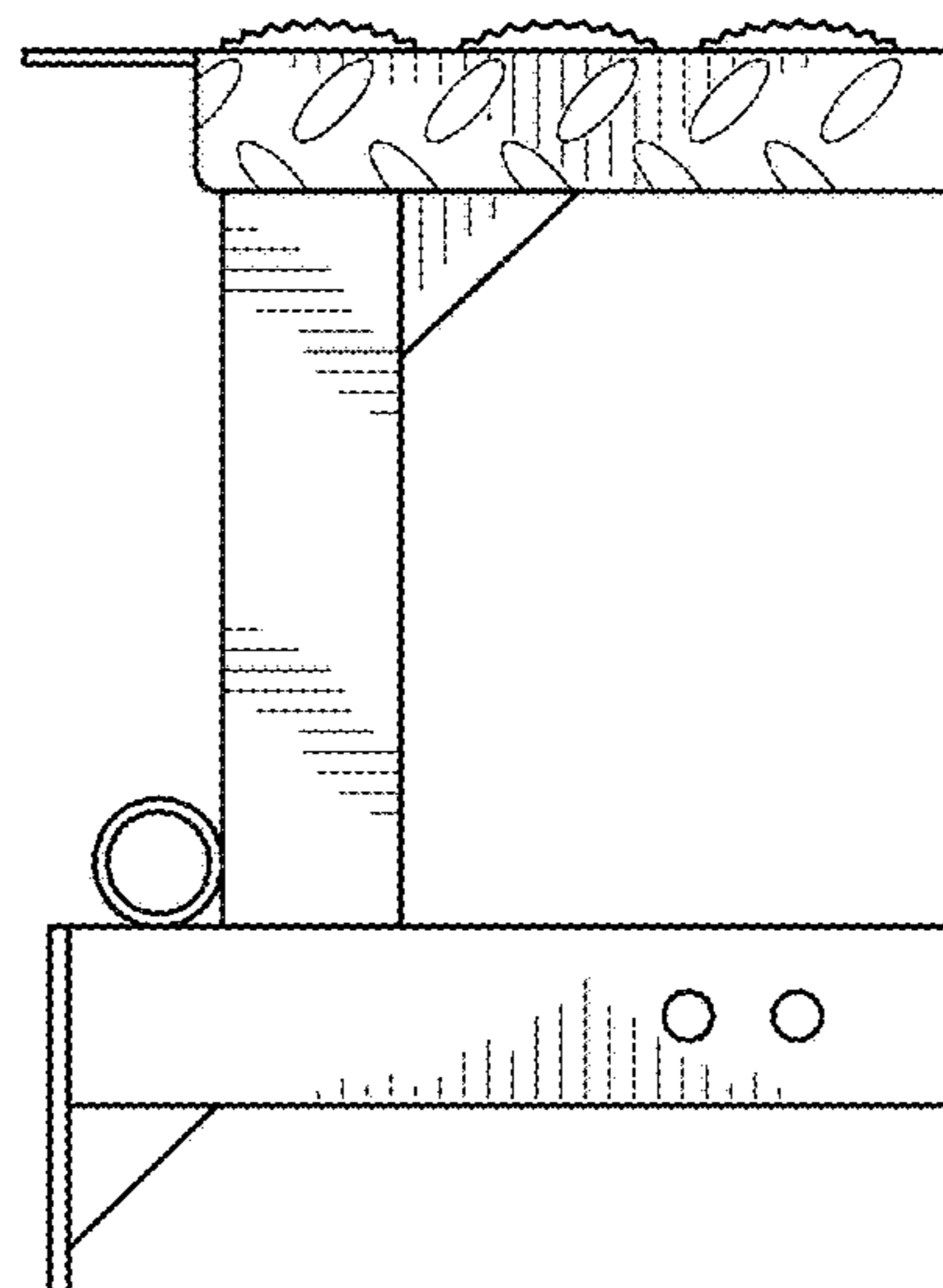


FIG. 10