



US00D796404S

(12) **United States Design Patent** (10) **Patent No.:** **US D796,404 S**  
**Nurnberger** (45) **Date of Patent:** **\*\* Sep. 5, 2017**

(54) **SIDE VENT FOR AUTOMOBILE, TOY REPLICAS, OR THE LIKE**  
(71) Applicant: **Aston Martin Lagonda Limited**, Warwickshire (GB)  
(72) Inventor: **Miles Nurnberger**, Warwickshire (GB)  
(73) Assignee: **ASTON MARTIN LAGONDA LIMITED**, Gaydon (GB)

4,944,540 A 7/1990 Mansoor et al.  
D334,977 S 4/1993 Avari  
5,205,597 A 4/1993 Chase  
RE34,907 E 4/1995 Gross  
5,403,048 A 4/1995 Ekladyous et al.  
5,478,127 A 12/1995 Chase  
5,482,336 A 1/1996 Rouse et al.  
5,503,444 A 4/1996 Rouse et al.

(Continued)

(\*\*) Term: **15 Years**

DE 2727517 A1 12/1978  
DE 4321969 A1 2/1994

(Continued)

(21) Appl. No.: **29/534,727**

(22) Filed: **Jul. 30, 2015**

FOREIGN PATENT DOCUMENTS

(30) **Foreign Application Priority Data**

Jan. 30, 2015 (EM) ..... 002624445-0007  
Jan. 30, 2015 (EM) ..... 002624445-0008  
Jan. 30, 2015 (EM) ..... 002624445-0009  
Jan. 30, 2015 (EM) ..... 002624445-0013  
Jan. 30, 2015 (EM) ..... 002624445-0014

<https://www.youtube.com/watch?v=weY6qeOJIBc>—Published Mar. 5, 2015.\*

(Continued)

(51) **LOC (10) Cl.** ..... **12-16**

(52) **U.S. Cl.**  
USPC ..... **D12/196**; D12/181

*Primary Examiner* — Manpreet Matharu  
*Assistant Examiner* — Mojtaba Tehrani  
(74) *Attorney, Agent, or Firm* — Dorsey & Whitney LLP

(58) **Field of Classification Search**  
USPC ..... D12/86, 90–92, 98, 163, 167, 170, 171, D12/173, 181, 184–186, 190, 196; D21/424–425, 433–434  
CPC ..... B60R 13/04; B60R 19/54; B62D 25/12; B62D 27/026; B62D 35/005; B60J 5/0412  
See application file for complete search history.

(57) **CLAIM**

The ornamental design for an side vent for automobile, toy replicas, or the like, as shown and described.

(56) **References Cited**

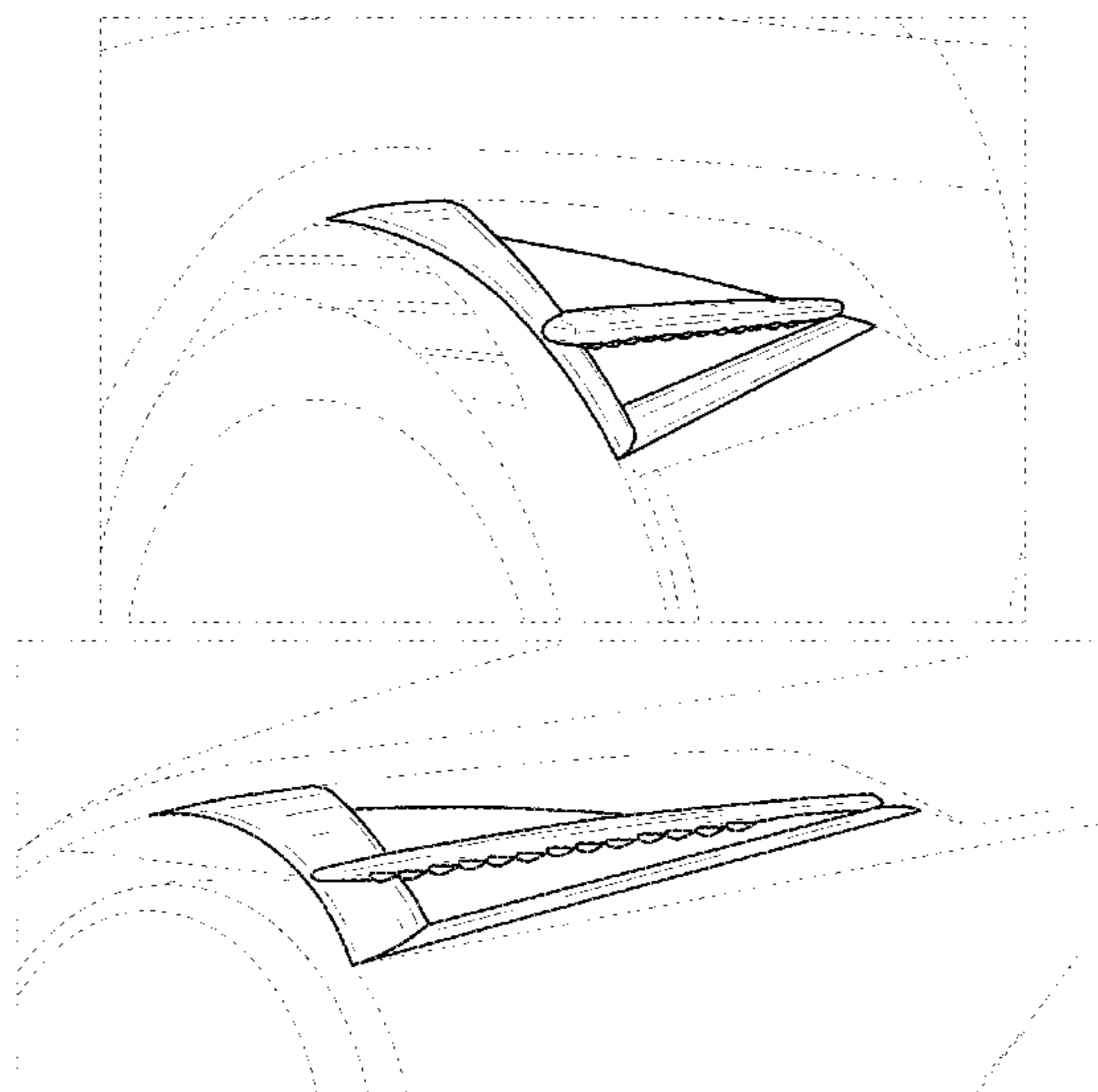
U.S. PATENT DOCUMENTS

D101,133 S \* 9/1936 Montgomery ..... D12/190  
D150,717 S 8/1948 Knight  
4,917,203 A 4/1990 Sacco et al.

**DESCRIPTION**

FIG. 1 is a front elevation view of an side vent for automobile, toy replicas, or the like in accordance with the present design;  
FIG. 2 is an enlarged top, front, left side isometric view thereof; and,  
FIG. 3 is an enlarged bottom, front, right side isometric view thereof.  
The broken lines illustrate portions of the side vent for automobile, toy replicas, or the like that form no part of the claimed design.

**1 Claim, 3 Drawing Sheets**



(56)

References Cited

U.S. PATENT DOCUMENTS

D374,206 S \* 10/1996 Nagashima ..... D12/190  
 D390,821 S \* 2/1998 Thorne ..... D12/190  
 D395,027 S 6/1998 Wittine  
 5,880,394 A 3/1999 Kim  
 D415,081 S 10/1999 Wittine  
 D431,505 S 10/2000 Kitamura et al.  
 6,206,438 B1 3/2001 Pueyo  
 D447,983 S 9/2001 Stoddard et al.  
 D456,313 S 4/2002 Walling et al.  
 6,405,819 B1 6/2002 Ohkura et al.  
 D475,662 S 6/2003 Koizumi et al.  
 6,702,343 B1 3/2004 Stull  
 D497,860 S 11/2004 Hoelzel et al.  
 6,921,117 B2 7/2005 Rackham et al.  
 D510,302 S 10/2005 Sugimoto  
 D511,730 S 11/2005 Rowland et al.  
 D512,947 S \* 12/2005 Buerlein ..... D12/196  
 D540,228 S \* 4/2007 Lai ..... D12/190  
 D540,229 S \* 4/2007 Lai ..... D12/190  
 D545,729 S \* 7/2007 Lee ..... D12/163  
 D548,158 S \* 8/2007 Kulla ..... D12/196  
 D553,544 S 10/2007 Rothman et al.  
 D557,184 S 12/2007 Janik  
 D557,641 S 12/2007 Davidson  
 D566,022 S 4/2008 Johnson  
 D566,621 S \* 4/2008 Lukasak ..... D12/92  
 D567,153 S \* 4/2008 Cunningham ..... D12/163  
 D573,510 S 7/2008 Pininfarina  
 D584,198 S 1/2009 Tamura  
 D584,998 S 1/2009 Lamm et al.  
 D585,340 S 1/2009 Sinkwitz  
 D586,273 S 2/2009 Hamburger  
 D589,405 S 3/2009 Corradi  
 D589,853 S 4/2009 Saridakis et al.  
 D592,564 S 5/2009 Kusamoto et al.  
 D600,181 S 9/2009 Larson  
 D606,468 S \* 12/2009 Varga ..... D12/181  
 D607,390 S 1/2010 Krauss  
 D609,149 S \* 2/2010 Larson ..... D12/181  
 D620,396 S 7/2010 Reichman et al.  
 D626,465 S 11/2010 Thomas et al.  
 D626,896 S \* 11/2010 Futschik ..... D12/163  
 D628,942 S 12/2010 Kim  
 D629,718 S 12/2010 Reichman et al.  
 D629,719 S 12/2010 Reichman et al.  
 D629,723 S \* 12/2010 Bauer ..... D12/163  
 D629,725 S 12/2010 Reichman et al.  
 D630,140 S 1/2011 Reichman et al.  
 D631,806 S 2/2011 Schneider  
 D633,012 S \* 2/2011 Bauer ..... D12/163  
 D635,065 S 3/2011 Seo  
 D651,142 S 12/2011 Fushimi  
 D659,059 S 5/2012 Elmitt  
 D664,475 S 7/2012 Takahashi  
 D665,313 S 8/2012 Asakura  
 D666,132 S \* 8/2012 Armbruster ..... D12/196  
 D668,590 S 10/2012 Furst et al.  
 D668,596 S 10/2012 Leahy  
 D670,203 S 11/2012 Weil  
 D670,620 S 11/2012 Frei et al.  
 D684,095 S \* 6/2013 Beaven ..... D12/82  
 D687,348 S 8/2013 Nurnberger  
 D691,517 S 10/2013 Kwon et al.  
 D692,348 S 10/2013 Whelan  
 D696,978 S 1/2014 Perini  
 D699,766 S 2/2014 Ryan et al.  
 D701,147 S 3/2014 Saracoglu  
 D704,101 S 5/2014 Beaven  
 D704,102 S 5/2014 Nurnberger  
 D704,601 S 5/2014 Nurnberger  
 D717,222 S 11/2014 Waterman et al.  
 D726,079 S 4/2015 Reichman et al.  
 D727,804 S 4/2015 Nurnberger  
 D730,777 S 6/2015 Nurnberger  
 D739,789 S 9/2015 Payne

D740,725 S 10/2015 Payne  
 D741,768 S 10/2015 Brzustowicz et al.  
 D746,200 S \* 12/2015 Leetz ..... D12/190  
 D746,727 S \* 1/2016 Smith ..... D12/163  
 D746,728 S \* 1/2016 Smith ..... D12/163  
 D748,026 S \* 1/2016 Curic ..... D12/190

FOREIGN PATENT DOCUMENTS

EM 000212923-0001 A1 10/2004  
 EM 000212923-0002 A1 10/2004  
 EM 001067839-0001 1/2009  
 EM 001650052-0001 12/2009  
 EM 001674631-0001 2/2010  
 EM 001674631-0002 2/2010  
 EM 001674631-0003 2/2010  
 EM 001674631-0005 2/2010  
 EM 001999848-0001 2/2012  
 EM 001999848-0003 2/2012  
 EM 002033621-0001 4/2012  
 EM 002033621-0003 4/2012  
 EM 002033621-0005 4/2012  
 EM 002033621-0006 4/2012  
 EM 002047977-0002 5/2012  
 EM 002171488-0001 1/2013  
 EP 896892 A1 2/1999  
 EP 906863 A2 4/1999  
 EP 2476603 A2 7/2012  
 GB 2327912 A 2/1999  
 GB 3013456 7/2003  
 GB 2396881 A 7/2004  
 GB 3024223 4/2006  
 JP D1400694 10/2010  
 JP D1444677 5/2012  
 WO 02/12028 2/2002

OTHER PUBLICATIONS

<http://www.astonmartin.com/vulcan>—Retrieved Oct. 21, 2016.\*  
 Aston Martin 2013, “Aston Martin Centenary Celebration Programme,” 2013; 204 pages.  
 Aston Martin IDBS Brochure; Website[online]: <http://www.auto-brochures.com>, Jan. 27, 2012 [retrieved on Oct. 22, 2013]. Retrieved from the internet: <URL: [http://www.autobrochures.com/makes/Aston\\_Martin/dbs/Aston%20Martin\\_int%20DBS\\_1.pdf](http://www.autobrochures.com/makes/Aston_Martin/dbs/Aston%20Martin_int%20DBS_1.pdf)>; 62 pages.  
 Aston Martin DB9 Brochure; Website[online]: <http://www.auto-brochures.com>, Jan. 27, 2012 [retrieved on Oct. 22, 2013]. Retrieved from the internet: <URL: [http://www.auto-brochures.com/makes/Aston\\_Martin/db9/Aston%20Martin\\_int%20DB9\\_1.pdf](http://www.auto-brochures.com/makes/Aston_Martin/db9/Aston%20Martin_int%20DB9_1.pdf)>; 41 pages.  
 2008 Aston Martin DB9 Grill & Front View Photo. Website[online]: <http://www.motortrend.com>, Jun. 12, 2008 [retrieved on Oct. 22, 2013]. Retrieved from the internet: <URL: [http://www.motortrend.com/cars/2008/aston\\_martin/db9/photos/exterior/grill\\_front\\_view.html](http://www.motortrend.com/cars/2008/aston_martin/db9/photos/exterior/grill_front_view.html)>; 1 page.  
 European Patent Office; PCT International Search Report mailed Nov. 21, 2001; PCT/GB01/03563; 3 pages.  
 European Patent Office; PCT International Preliminary Examination Report mailed Dec. 5, 2002; PCT/GB01/03563; 11 pages.  
 European Patent Office; PCT Written Opinion mailed Mar. 6, 2002; PCT/GB01/03563; 5 pages.  
 European Patent Office; PCT Written Opinion mailed Aug. 21, 2002; PCT/GB01/03563; 5 pages.  
 2003 Aston Martin DB7 Vantage, [online], [site visited Jan. 3, 2014], Available from Internet, <URL: <http://www.conceptcarz.com/view/photo/291097,6877/2003-Aston-Martin-DB7-Vantage.aspx>>, 2 pages.  
 2014 Aston Martin Rapide S, announced Dec. 30, 2013, [online], [site visited Jan. 3, 2014], Available from Internet, <URL: <http://www.astonmartin.com/en-us/cars/rapide-s>>, 35 pages.  
 2011 Aston Martin Rapide, [online article Feb. 4, 2010, [site visited Jan. 3, 2014], Available from Internet, <URL: [http://www.roadandtrack.com/car-reviews/first-drives/photos-2011-aston-martin-rapide?click=main\\_sr#slide-1](http://www.roadandtrack.com/car-reviews/first-drives/photos-2011-aston-martin-rapide?click=main_sr#slide-1)>, 6 pages.



(56)

**References Cited**

## OTHER PUBLICATIONS

Vijayenthiran, Viknesh. "Aston Martin Builds and Sells Two CC100 Speedsters: Report." Motor Authority., Jul. 26, 2013 [online], [retrieved on Sep. 5, 2014]. Retrieved from the Internet <URL: [http://www.motorauthority.com/news/1085797\\_aston-martin-builds-and-sells-two-cc100-speedsters-report](http://www.motorauthority.com/news/1085797_aston-martin-builds-and-sells-two-cc100-speedsters-report)>.

Carrion, Annette. "2014 Aston Martin Vanquish Volante Neiman Marcus . . ." European Car Web., Nov. 15, 2013 [online], [retrieved on Sep. 5, 2014]. Retrieved from the Internet <URL: [http://www.europeancarweb.com/news/1311\\_2014\\_aston\\_martin\\_vanquish\\_volante\\_neiman\\_marcus\\_edition/photo\\_06.html](http://www.europeancarweb.com/news/1311_2014_aston_martin_vanquish_volante_neiman_marcus_edition/photo_06.html)>.

"2011 Aston Martin One-77." Electronic Brochure., Jun. 22, 2010 [online], [retrieved on Sep. 5, 2014]. Retrieved from the Internet <URL: [http://www.auto-brochures.com/makes/Aston\\_Martin/one-77/Aston%20Martin\\_int%20ne-77.pdf](http://www.auto-brochures.com/makes/Aston_Martin/one-77/Aston%20Martin_int%20ne-77.pdf)>.

"2012 Aston Martin Virage", Online Review dated Mar. 21, 2012 (Retrieved from the Internet Jan. 20, 2016), Available at <http://www.autoblog.com/2012/03/21/2012-aston-martin-virage-review-road-test>.

"Car Wheels Design", Online Blog dated Oct. 13, 2011 (Retrieved from the Internet Jan. 20, 2016), Available at <http://wheelsdesigns.blogspot.com/2011/10/aston-martin-wheels.html>.

\* cited by examiner

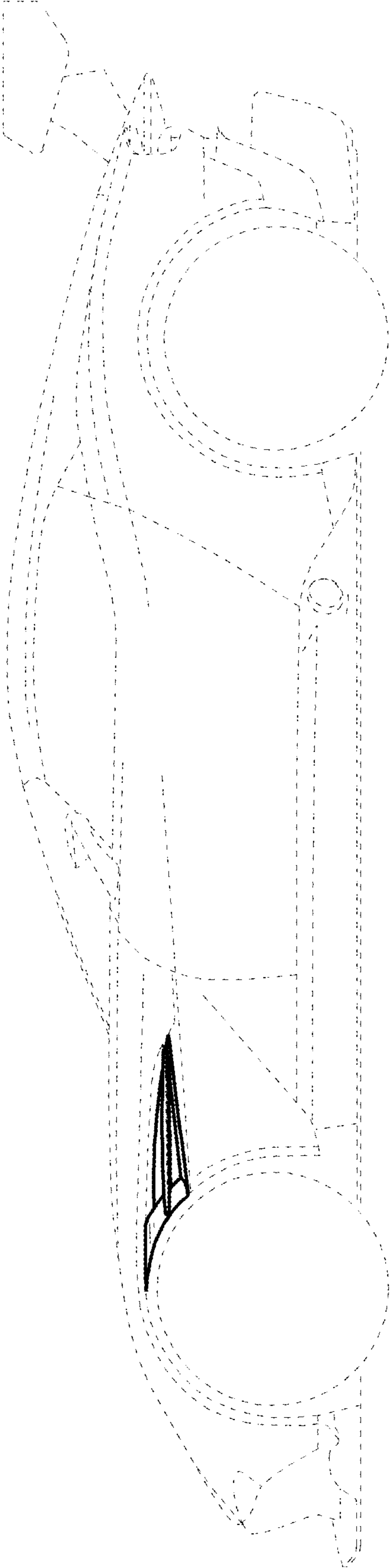


FIG. 1

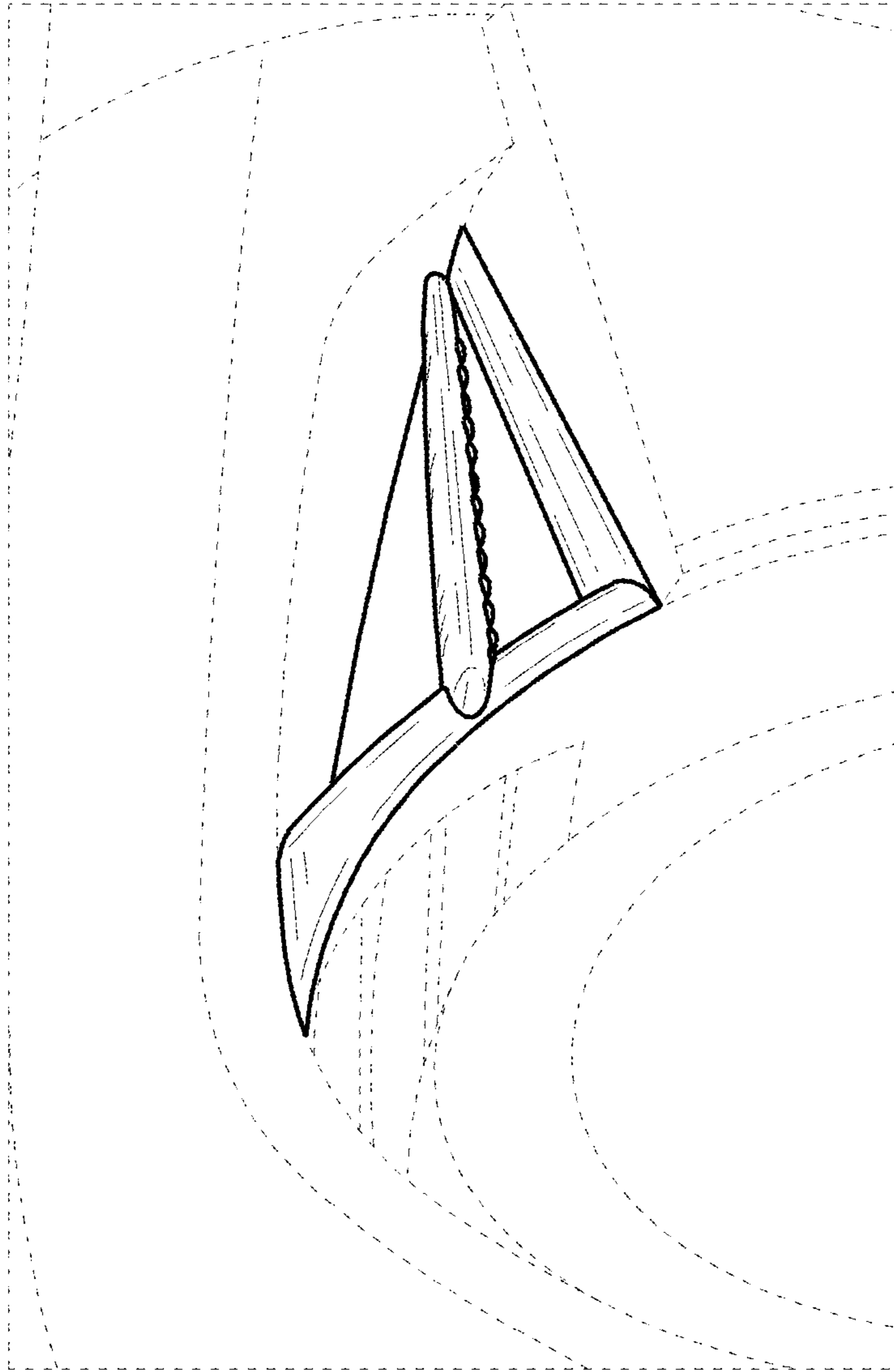


FIG. 2

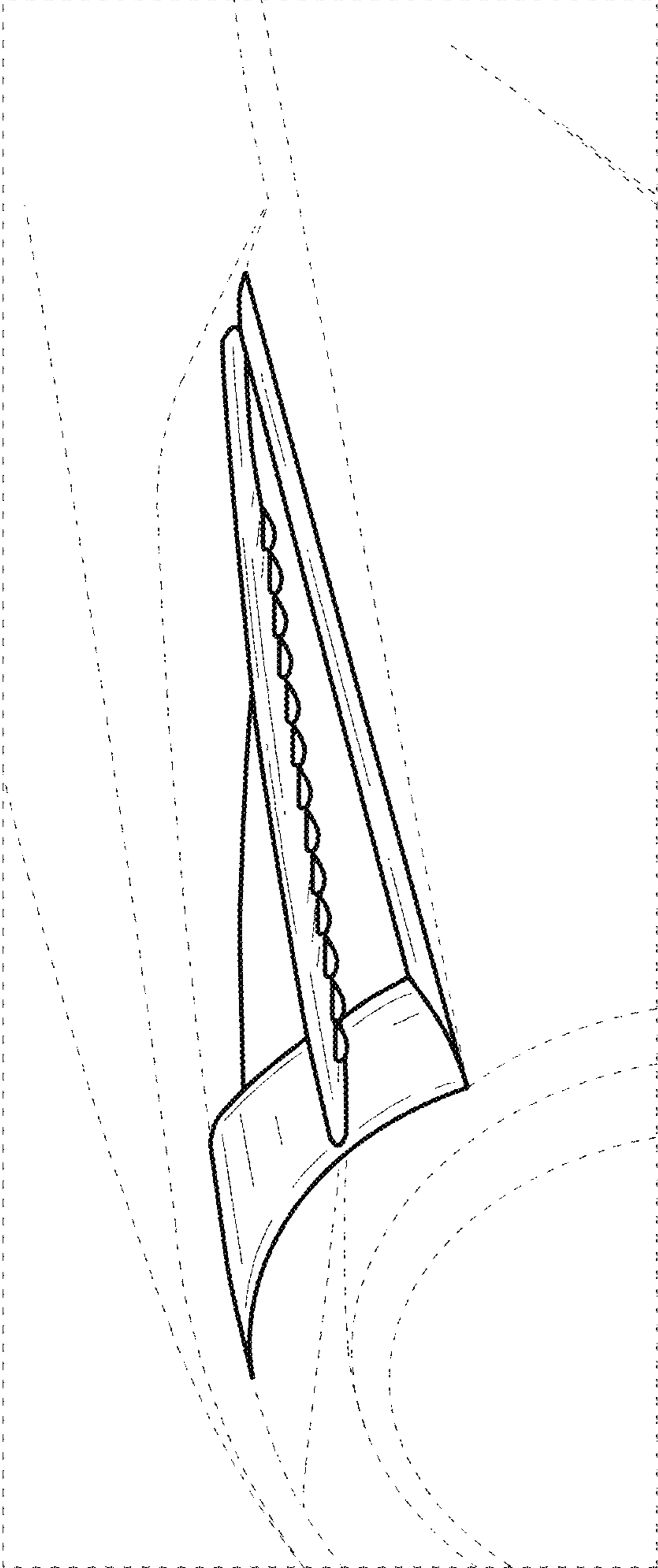


FIG. 3