



US00D796399S

(12) **United States Design Patent** (10) **Patent No.:** **US D796,399 S**
Steen (45) **Date of Patent:** **** Sep. 5, 2017**

(54) **BUMPER COMPONENT**
(71) Applicant: **James Steen**, Lewistown, MT (US)
(72) Inventor: **James Steen**, Lewistown, MT (US)
(**) Term: **15 Years**
(21) Appl. No.: **29/553,676**
(22) Filed: **Feb. 3, 2016**
(51) **LOC (10) Cl.** **12-16**
(52) **U.S. Cl.**
USPC **D12/171**; D12/169
(58) **Field of Classification Search**
USPC D12/86, 90, 91, 92, 163, 164, 169, 171,
D12/196, 216
CPC B60R 19/02; B60R 19/18; B60R 19/24;
B60R 19/56; B60R 2019/007; B62D
25/0845
See application file for complete search history.

(56) **References Cited**
U.S. PATENT DOCUMENTS
D300,128 S * 3/1989 Brennan D12/169
D375,067 S * 10/1996 Bronstein D12/169
D432,469 S * 10/2000 Nelson D12/169
D454,098 S * 3/2002 McGuinness D12/171
D455,988 S * 4/2002 McGuinness D12/171
D502,433 S * 3/2005 McClanahan D12/169

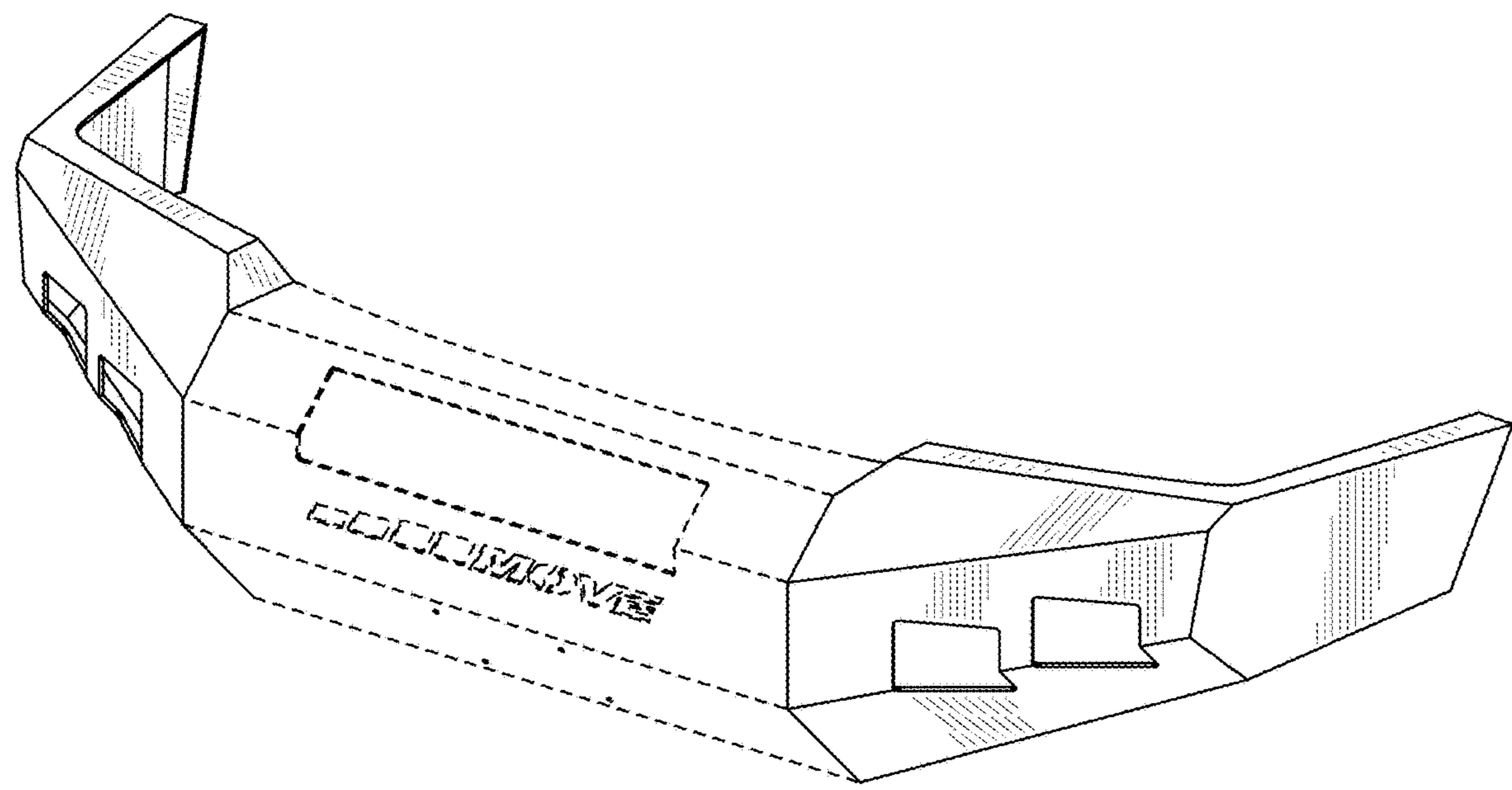
7,703,834 B1 * 4/2010 Hardy B60R 9/06
296/102
D722,927 S * 2/2015 Schroeder D12/171
D737,181 S * 8/2015 Smith D12/169
D751,012 S * 3/2016 Hare D12/169
D760,133 S * 6/2016 Bennett D12/171
D771,537 S * 11/2016 Hare D12/169
2006/0192398 A1 * 8/2006 Buniewicz B60R 19/04
293/102

* cited by examiner
Primary Examiner — Darlington Ly
(74) *Attorney, Agent, or Firm* — Gearhart Law LLC

(57) **CLAIM**
The ornamental design for a bumper component, as shown and described.

DESCRIPTION
FIG. 1 is a perspective view of a bumper component showing my new design;
FIG. 2 is a front elevation view thereof;
FIG. 3 is a rear elevation view thereof;
FIG. 4 is a top plan view thereof;
FIG. 5 is a bottom plan view thereof;
FIG. 6 is a right side elevation view thereof; and,
FIG. 7 is a left side elevation view thereof.
The broken lines in the drawings are included for the purpose of illustrating portions of the bumper component that form no part of the claimed design.

1 Claim, 6 Drawing Sheets



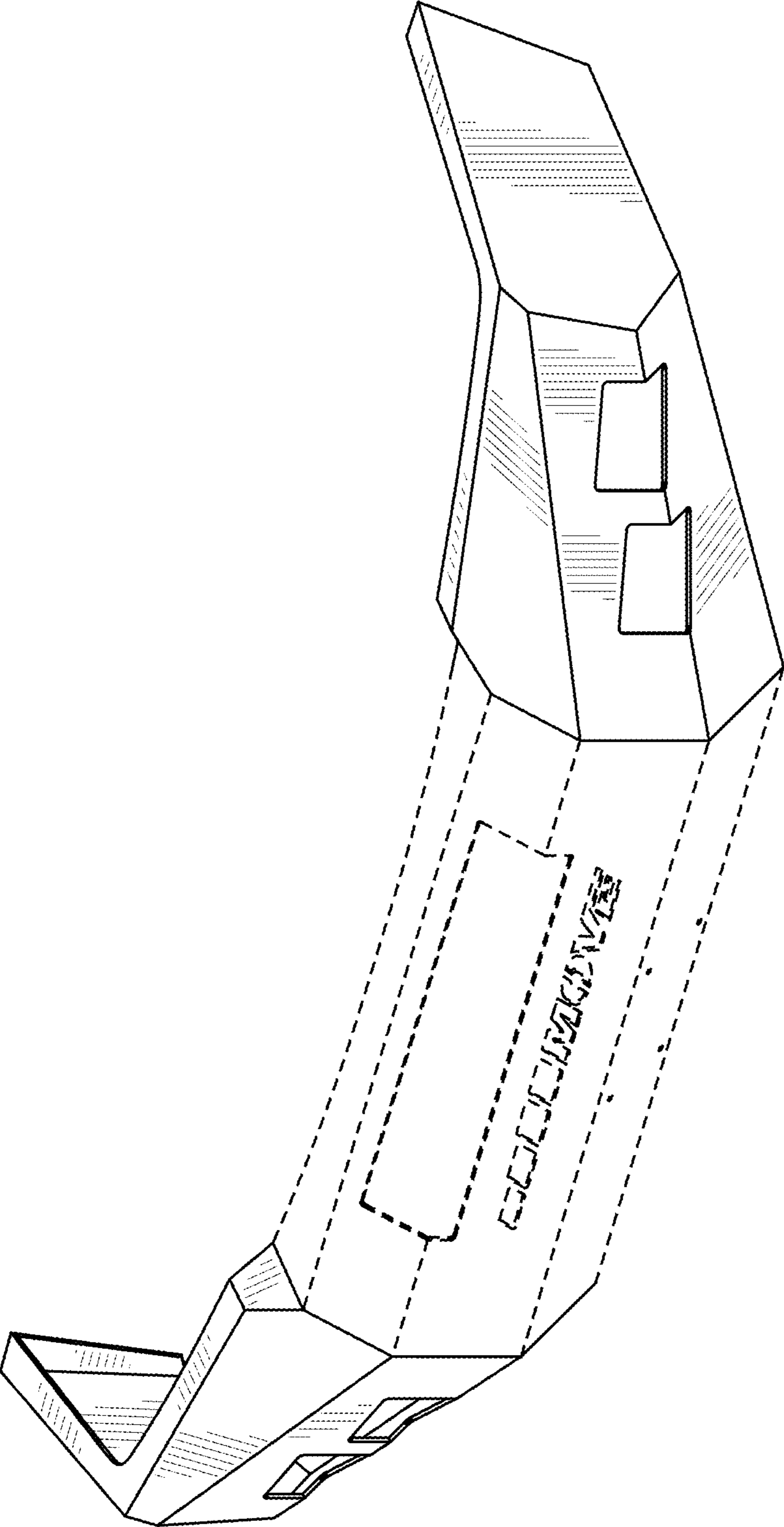


FIG. 1

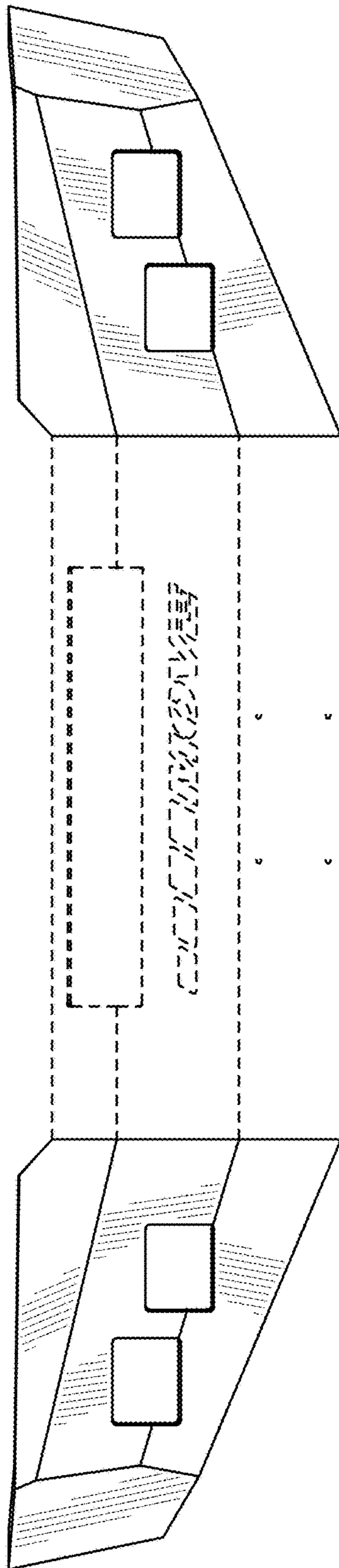


FIG. 2

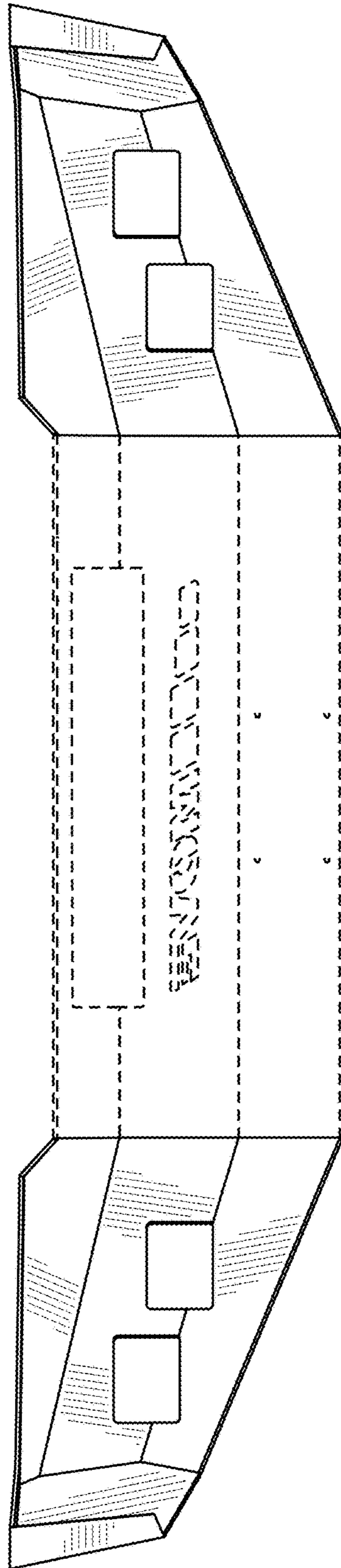


FIG. 3

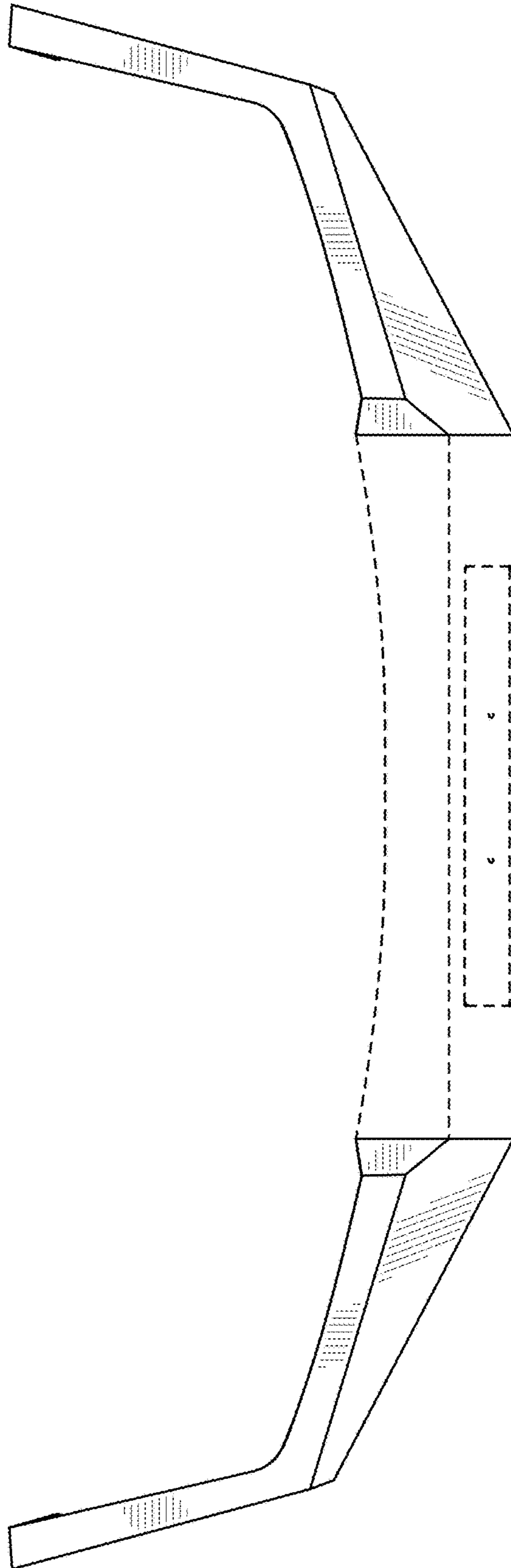


FIG. 4

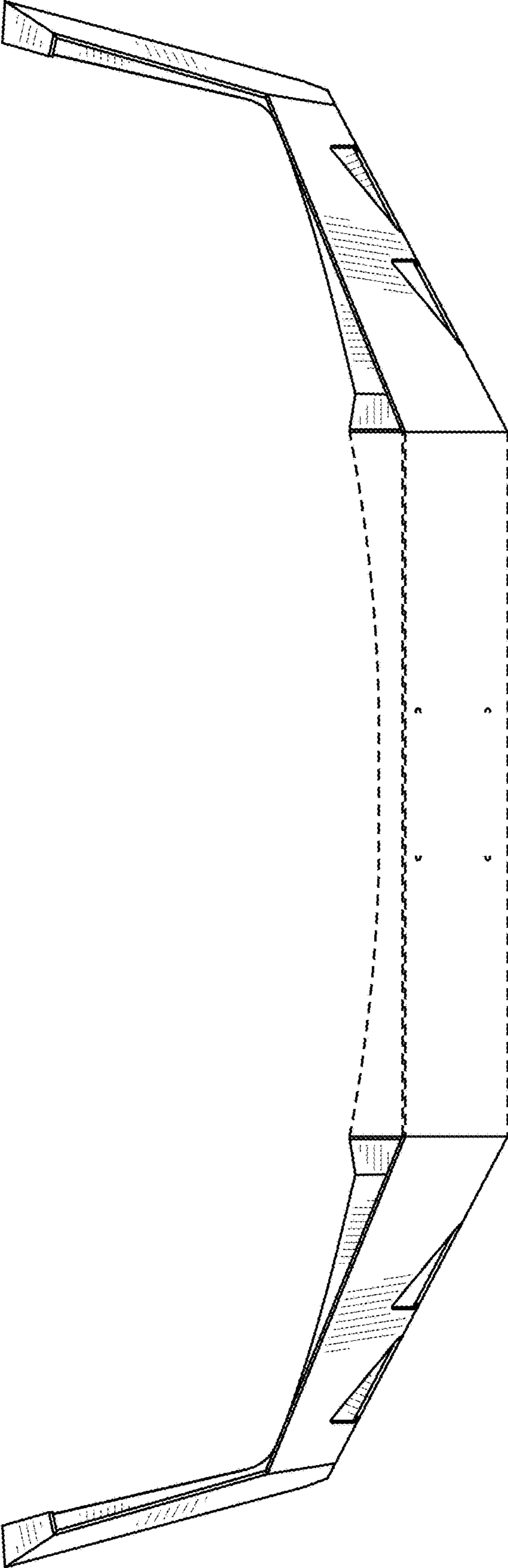


FIG. 5

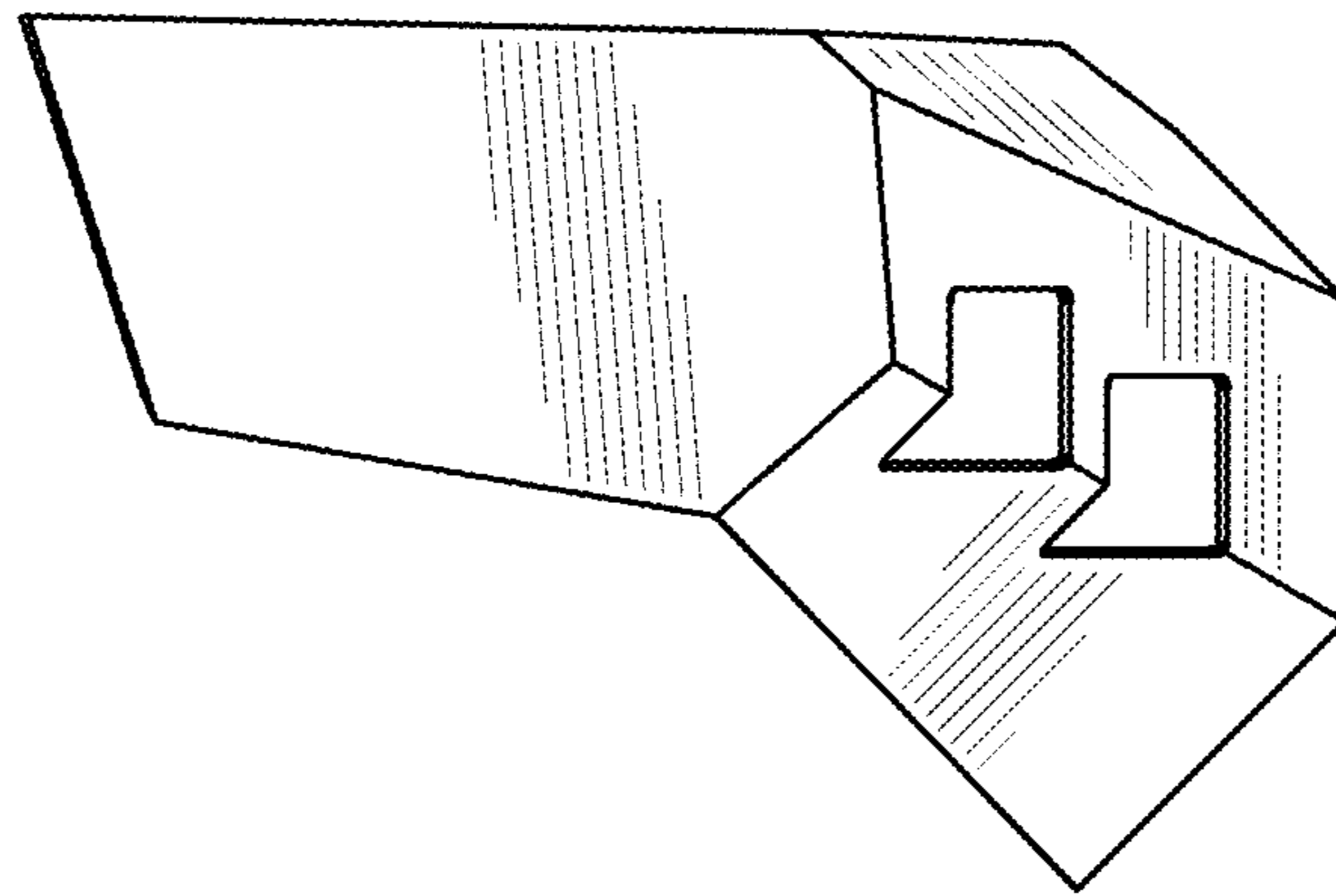


FIG. 6

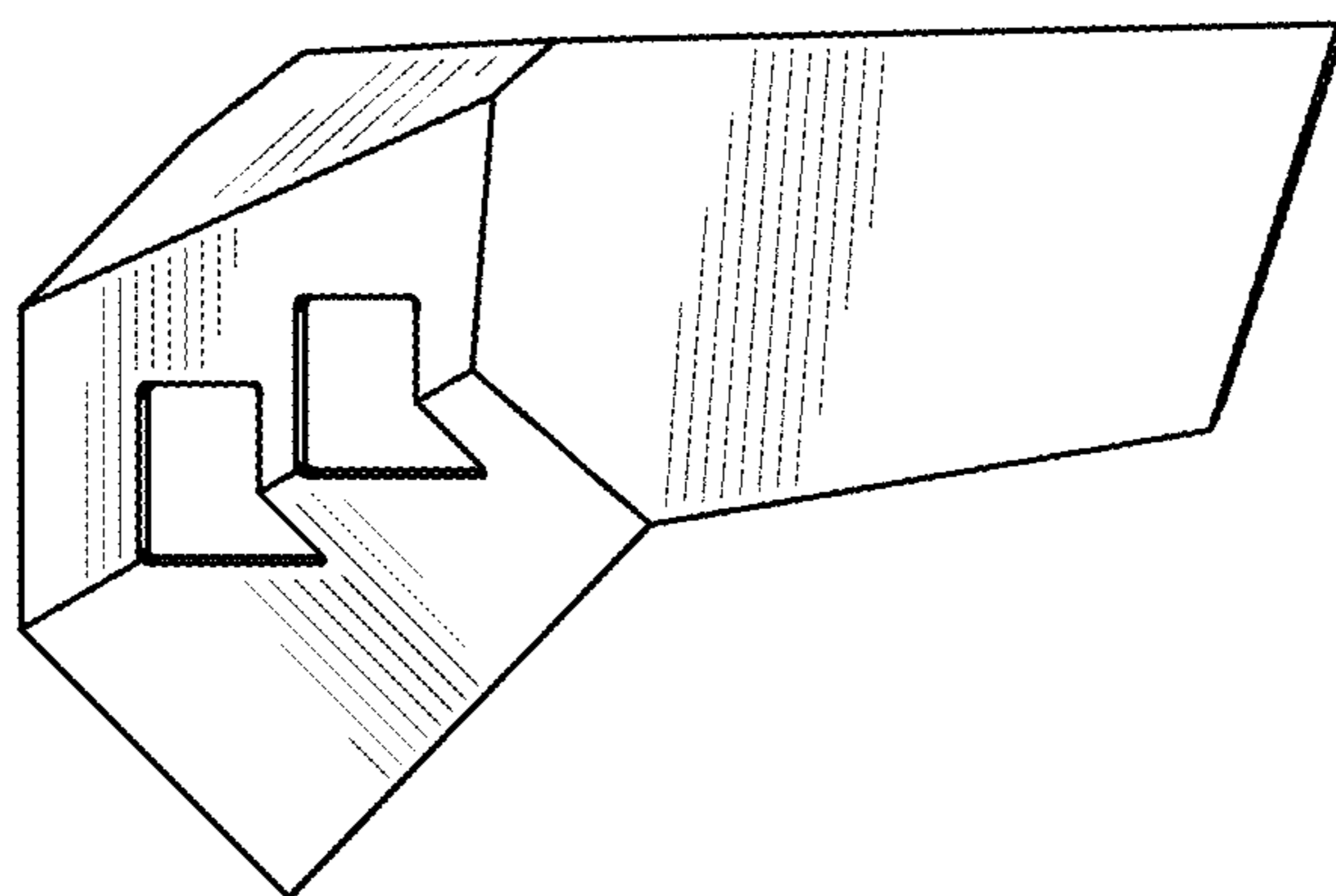


FIG. 7