



US00D796391S

(12) **United States Design Patent** (10) **Patent No.:** **US D796,391 S**  
**Woolley** (45) **Date of Patent:** **\*\* Sep. 5, 2017**

(54) **AUTOMOBILE FRONT GRILLE**  
(71) Applicant: **Jaguar Land Rover Limited**, Whitley, Coventry (GB)  
(72) Inventor: **Richard Woolley**, Coventry (GB)  
(73) Assignee: **Jaguar Land Rover Limited**, Whitley, Coventry (GB)  
(\*\*) Term: **15 Years**  
(21) Appl. No.: **29/556,182**  
(22) Filed: **Feb. 29, 2016**

(30) **Foreign Application Priority Data**  
Sep. 4, 2015 (EM) ..... 002766642  
Sep. 4, 2015 (EM) ..... 002766659  
(51) **LOC (10) Cl.** ..... **12-16**  
(52) **U.S. Cl.**  
USPC ..... **D12/163**  
(58) **Field of Classification Search**  
USPC ..... D12/86, 90, 91, 92, 163, 169, 196, 171, D12/216  
CPC . B60R 19/52; B60R 2019/525; B60K 11/085; B62D 25/084; H01Q 1/32  
See application file for complete search history.

(56) **References Cited**  
U.S. PATENT DOCUMENTS  
6,328,358 B1 \* 12/2001 Berweiler ..... B60R 19/52 180/68.6  
D535,222 S \* 1/2007 Onoue ..... D12/163  
7,887,125 B2 \* 2/2011 Tazaki ..... B60R 19/52 296/187.09  
D680,034 S \* 4/2013 Sugiura ..... D12/163  
D721,020 S \* 1/2015 Hanaoka ..... D12/163

D726,597 S \* 4/2015 Wolff ..... D12/163  
D738,798 S \* 9/2015 Morikawa ..... D12/163  
D753,028 S \* 4/2016 Frascella ..... D12/163  
D764,981 S \* 8/2016 Tsutamori ..... D12/163  
D775,003 S \* 12/2016 Pevovar ..... D12/163  
D775,553 S \* 1/2017 Ishii ..... D12/163

(Continued)

*Primary Examiner* — Darlington Ly  
(74) *Attorney, Agent, or Firm* — Wood Herron & Evans LLP

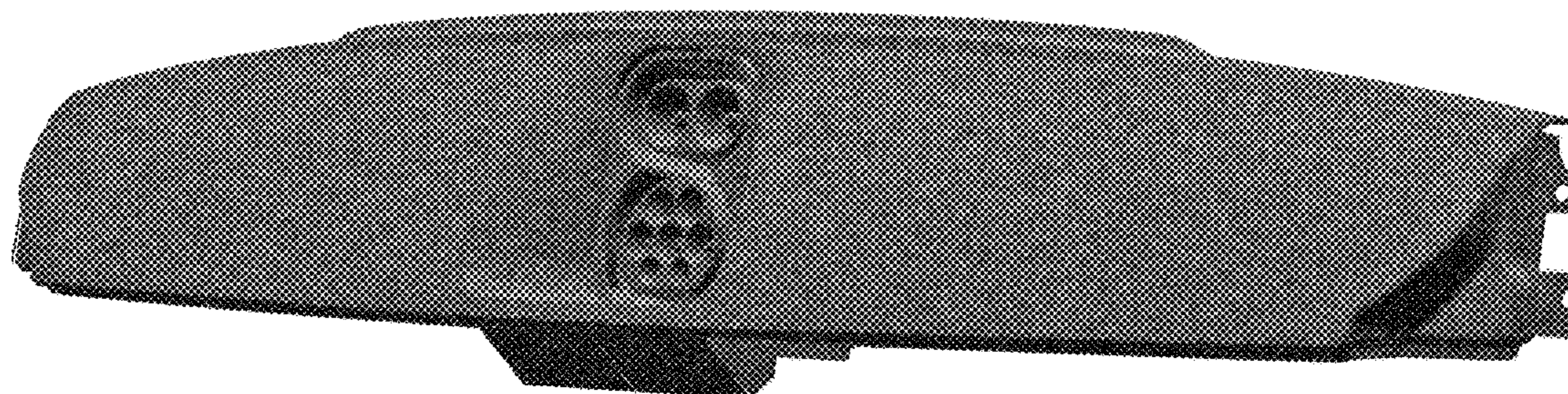
(57) **CLAIM**

The ornamental design for an automobile front grille, as shown and described.

**DESCRIPTION**

FIG. 1 is a front and right side perspective view of an automobile front grille showing my new design;  
FIG. 2 is a rear and left side perspective view thereof;  
FIG. 3 is a front elevation view thereof;  
FIG. 4 is a rear elevation view thereof;  
FIG. 5 is a left side elevation view thereof;  
FIG. 6 is a right side elevation view thereof;  
FIG. 7 is a top plan view thereof;  
FIG. 8 is a front elevation view thereof in which a single LED bar is illuminated across the front inner surface;  
FIG. 9 is a front elevation view thereof in which two rows of LED bars are illuminated across the front inner surface;  
FIG. 10 is a front elevation view thereof in which three rows of LED bars are illuminated across the front inner surface;  
FIG. 11 is a front elevation view thereof in which four rows of LED bars are illuminated across the front inner surface;  
and,  
FIG. 12 is a front elevation view thereof in which five rows of LED bars are illuminated across the front inner surface.  
FIGS. 1-7 show the automobile front grille in which the LED bars are not illuminated. In contrast, FIGS. 8-12 show the LED bars during their five modes of illumination.

**1 Claim, 6 Drawing Sheets**



(56)

**References Cited**

U.S. PATENT DOCUMENTS

2004/0178664 A1\* 9/2004 Hyuga ..... B62D 29/043  
296/193.1  
2013/0107046 A1\* 5/2013 Forge ..... B60R 11/04  
348/148

\* cited by examiner

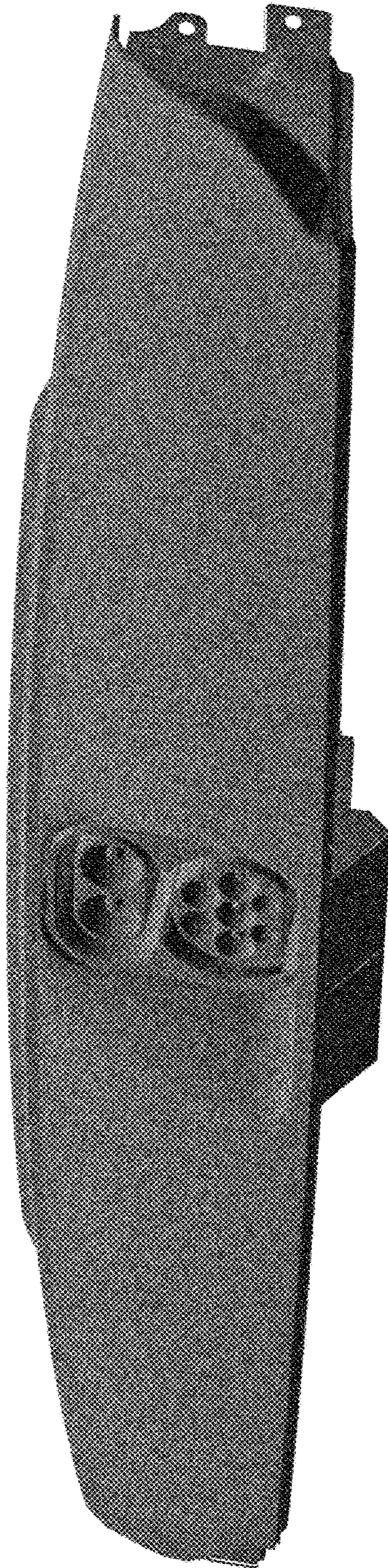


FIG. 1

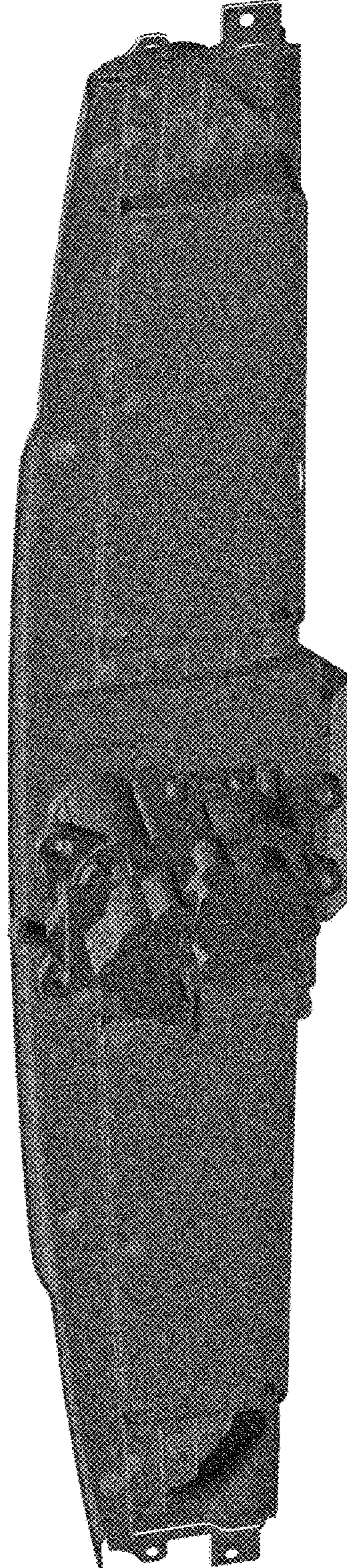


FIG. 2

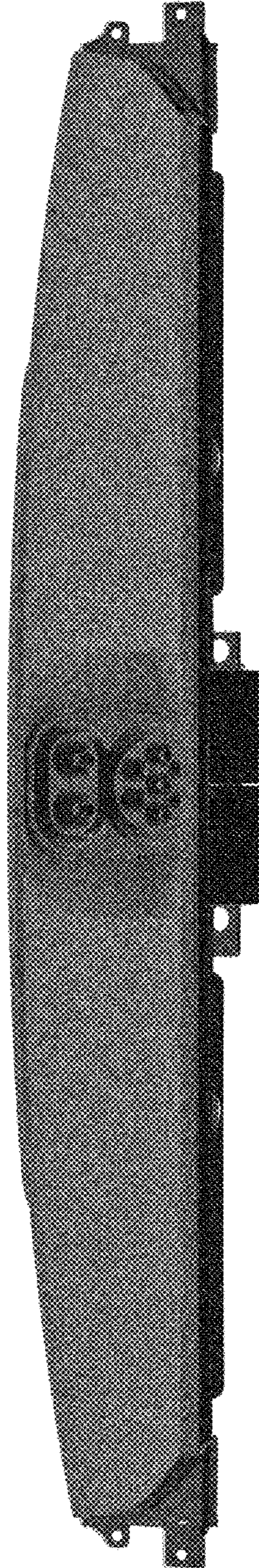


FIG. 3

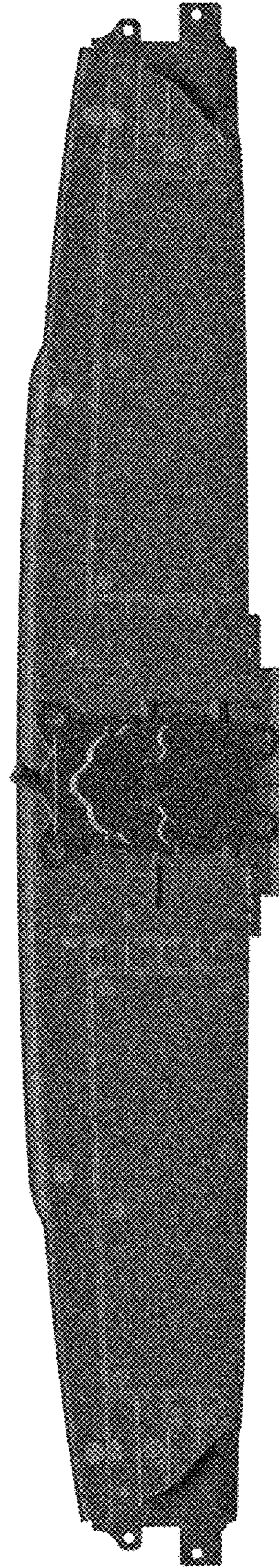


FIG. 4

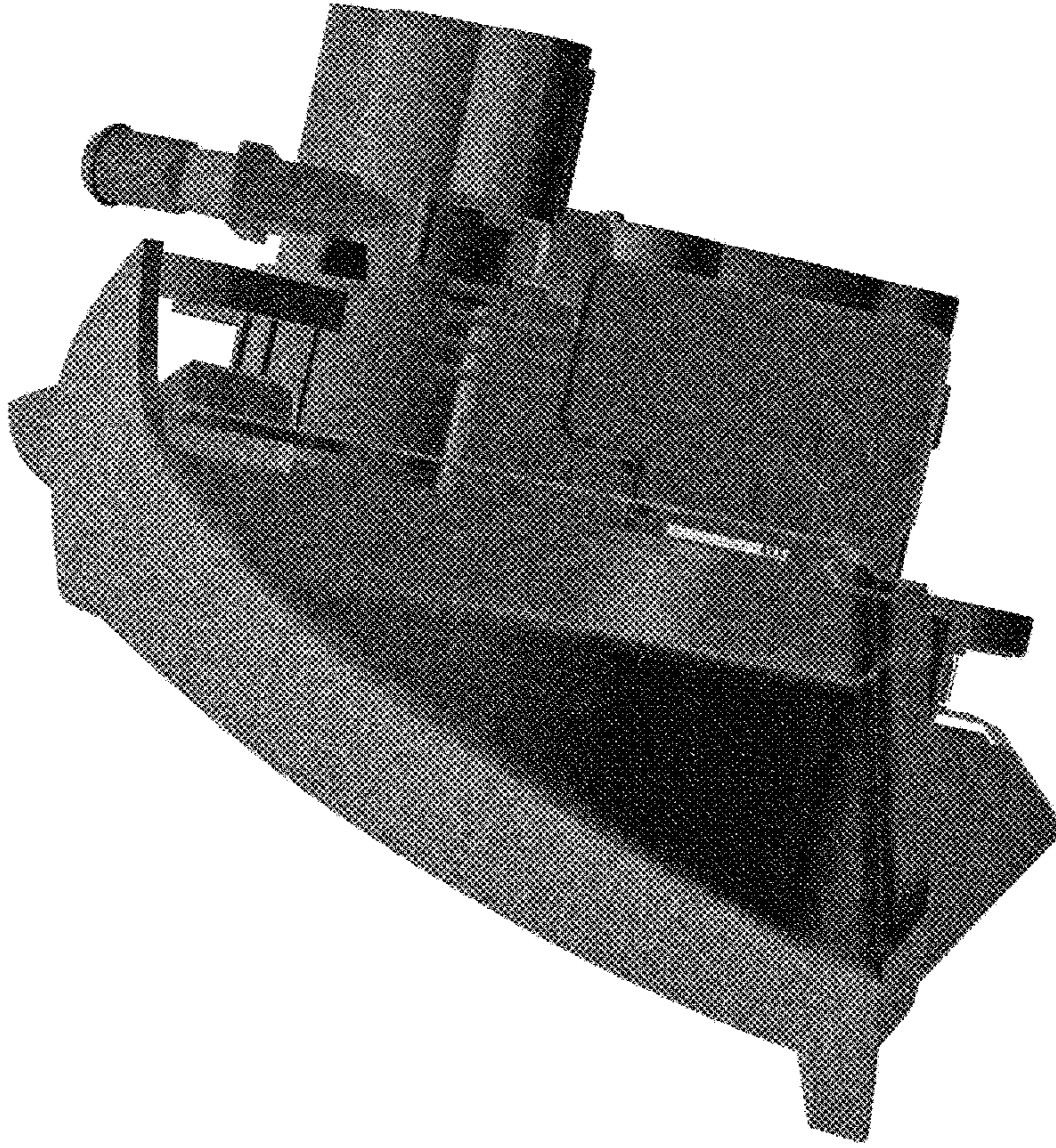


FIG. 6

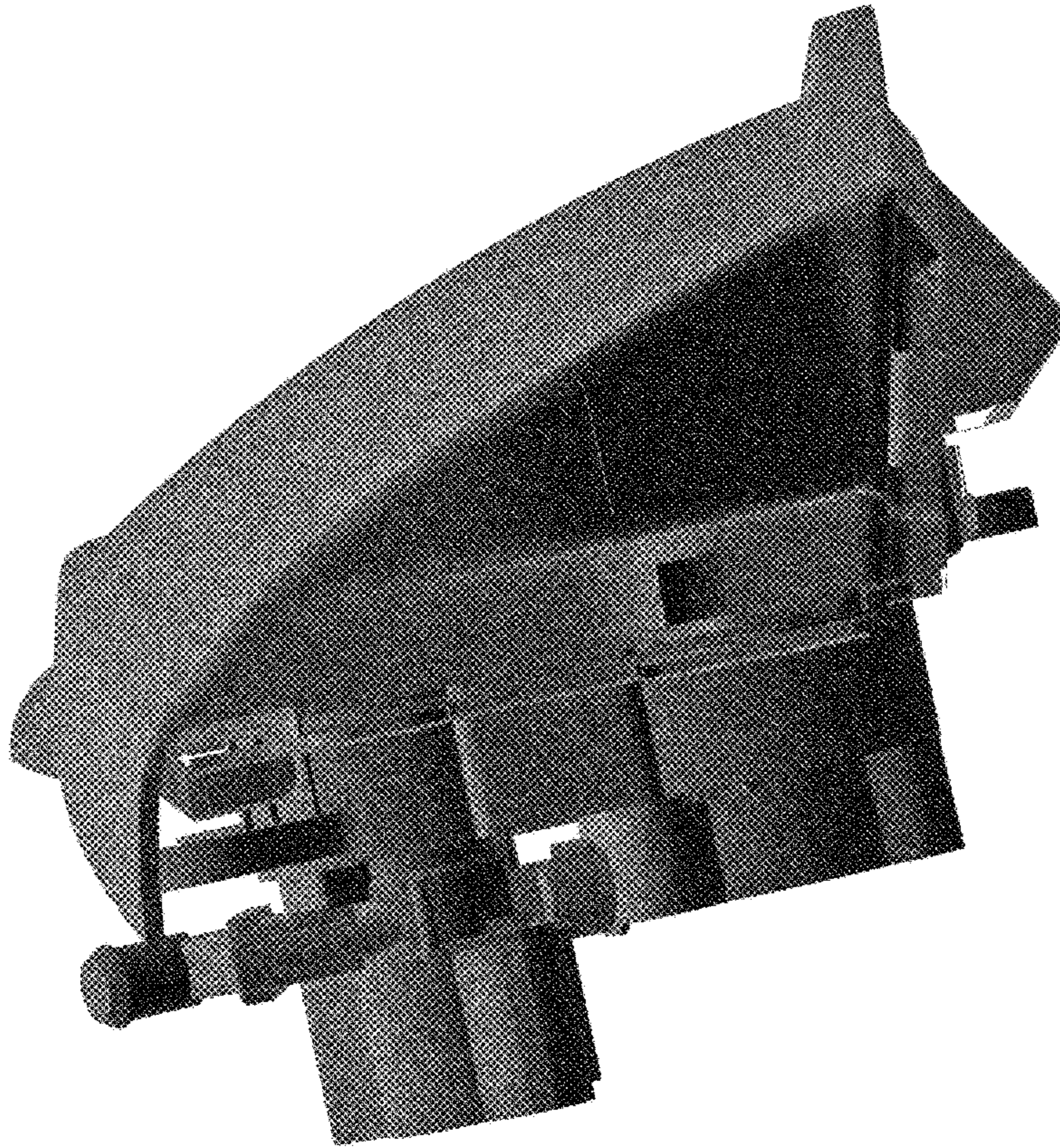


FIG. 5

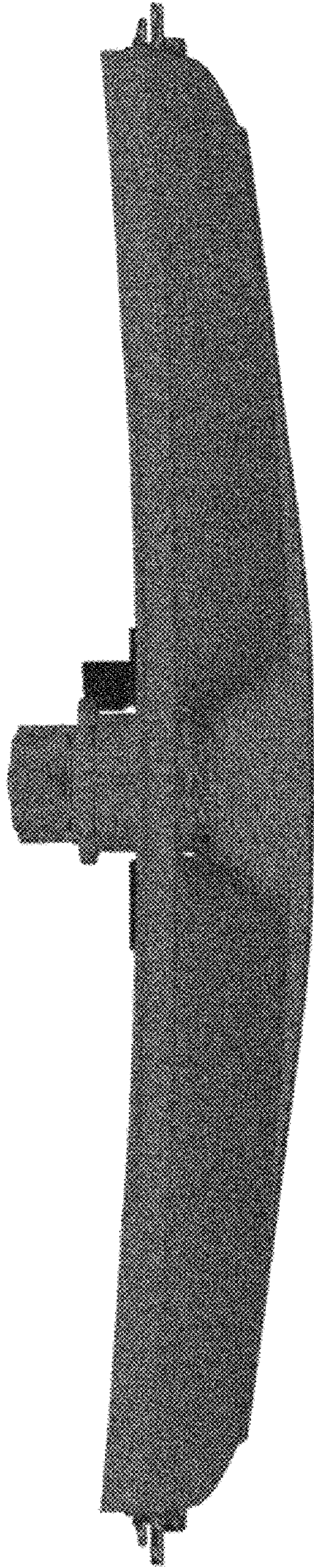


FIG. 7

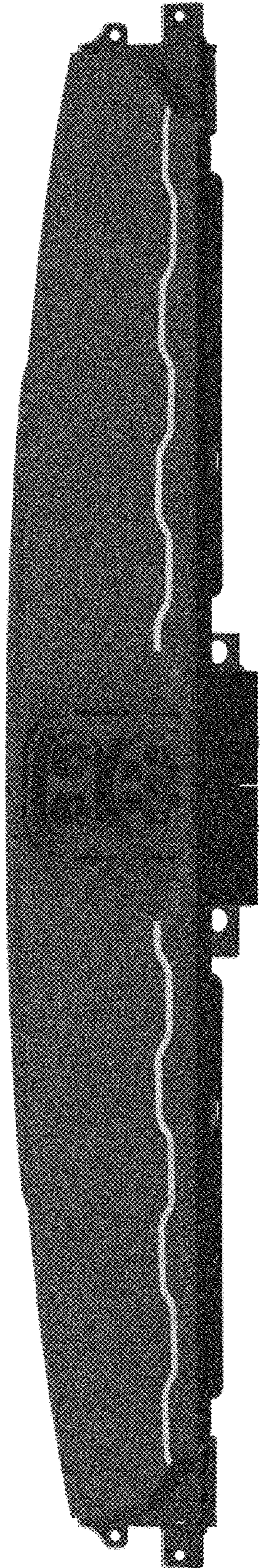


FIG. 8

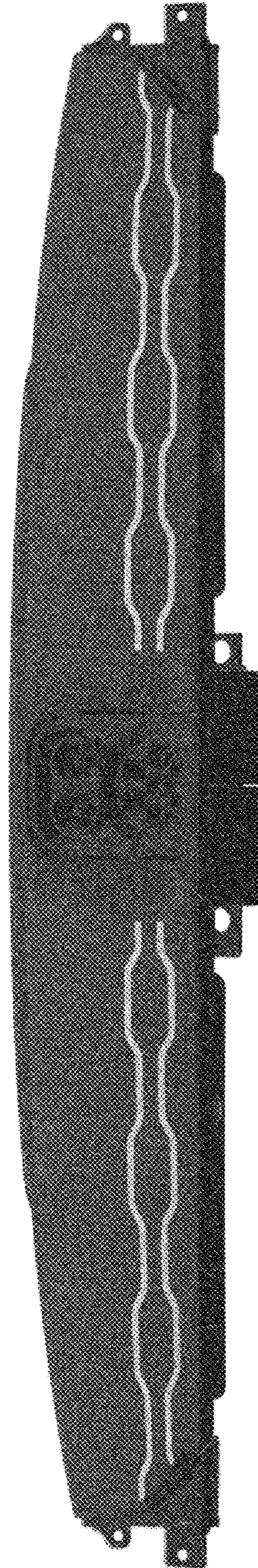


FIG. 9

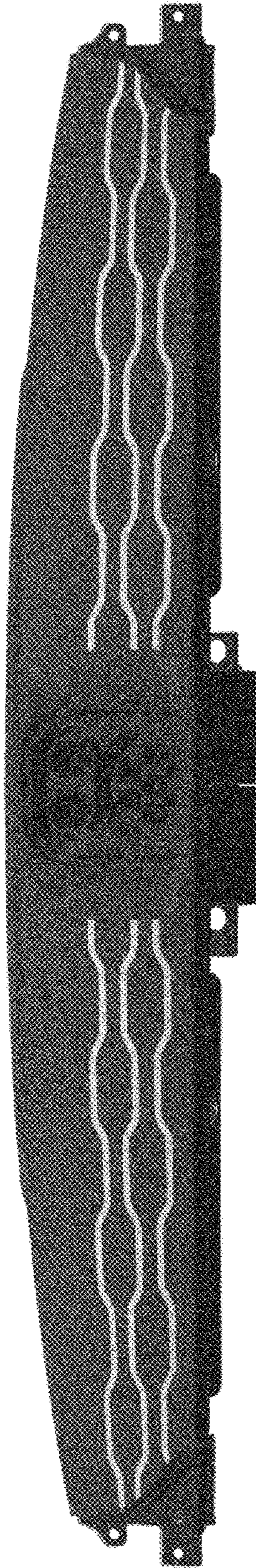


FIG. 10

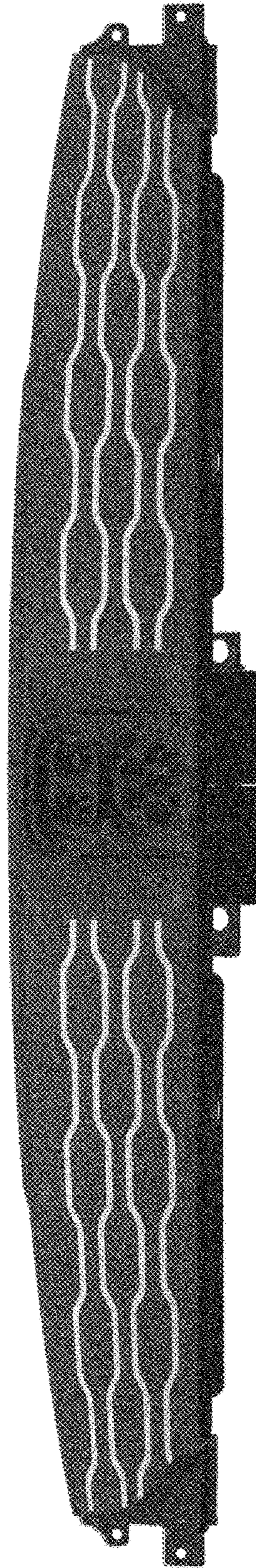


FIG. 11

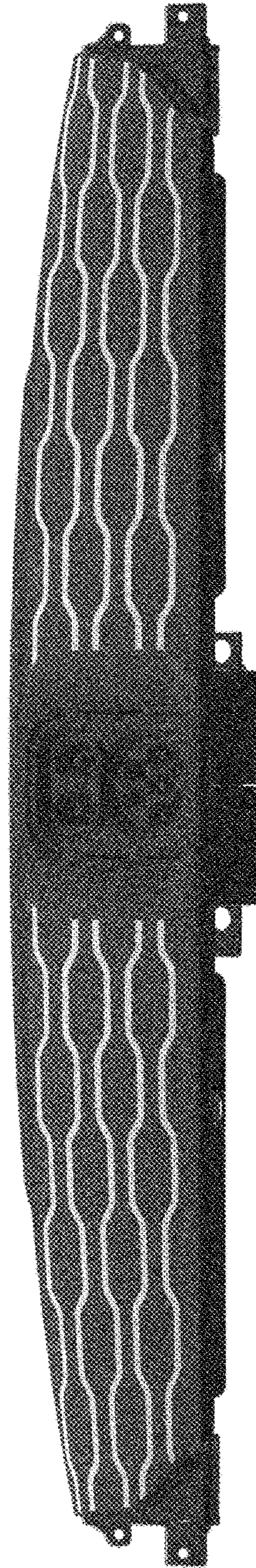


FIG. 12