



US00D796389S

(12) **United States Design Patent** (10) **Patent No.:** **US D796,389 S**  
**Chan** (45) **Date of Patent:** **\*\* Sep. 5, 2017**

(54) **HITCH**

(71) Applicant: **Henry Chan**, Houlton, WI (US)

(72) Inventor: **Henry Chan**, Houlton, WI (US)

(\*\*) Term: **15 Years**

(21) Appl. No.: **29/555,658**

(22) Filed: **Feb. 24, 2016**

(51) **LOC (10) Cl.** ..... **12-16**

(52) **U.S. Cl.**  
USPC ..... **D12/162**

(58) **Field of Classification Search**

USPC ..... D12/159, 160, 162, 163, 167, 169, 172,  
D12/400, 401, 402, 403, 404, 405, 406,  
D12/407, 408, 409, 410, 411, 412, 413,  
D12/414, 420, 414.1; D8/343, 14, 21,  
D8/305, 17, 27, 29, 26, 71, 107, 382

CPC ... B60D 1/04; B60D 1/06; B60D 1/46; B60D  
1/58; B60D 1/065; B60D 1/60; B60D  
1/00; B60D 1/605; B60D 1/52; B60D  
1/046; B60D 1/465; B60D 1/62

See application file for complete search history.

(56) **References Cited**

**U.S. PATENT DOCUMENTS**

5,288,094	A *	2/1994	Putnam	.....	B60D 1/62 248/214
D349,083	S *	7/1994	Hall	.....	D12/162
5,560,631	A *	10/1996	Salvo	.....	B60D 1/60 280/507
5,873,594	A *	2/1999	McCoy	.....	B60D 1/52 280/483
D569,770	S *	5/2008	Biery, Jr.	.....	D12/162
D591,208	S *	4/2009	Wubker, Jr.	.....	D12/162
D686,954	S *	7/2013	Scruggs	.....	D12/162
D709,805	S *	7/2014	Hill	.....	D12/162
D772,764	S *	11/2016	Thurber	.....	D12/162
2012/0112433	A1 *	5/2012	Williams, Jr.	.....	B60D 1/04 280/490.1
2013/0134690	A1 *	5/2013	Kim	.....	B60D 1/06 280/491.1

(Continued)

**OTHER PUBLICATIONS**

Alphapowersport.com. "Alpha Powersport Trailer Hitch for the Polaris Slingshot." Retrived Mar. 14, 2017. (<https://store.alphapowersport.com/products/alphatrailerhitchforthepolarisslingshot?variant=17179417345>).\*

(Continued)

*Primary Examiner* — Karen S Acker

*Assistant Examiner* — Jerry Hsu

(74) *Attorney, Agent, or Firm* — Skinner and Associates;  
Joel Skinner

(57) **CLAIM**

The ornamental design for a hitch, as shown and described.

**DESCRIPTION**

FIG. 1 is a perspective view of a hitch shown in a position of use.

FIG. 2 is a front perspective view thereof.

FIG. 3 is a rear perspective view thereof.

FIG. 4 is a front view thereof.

FIG. 5 is a rear view thereof.

FIG. 6 is a left side view thereof.

FIG. 7 is a right side view thereof.

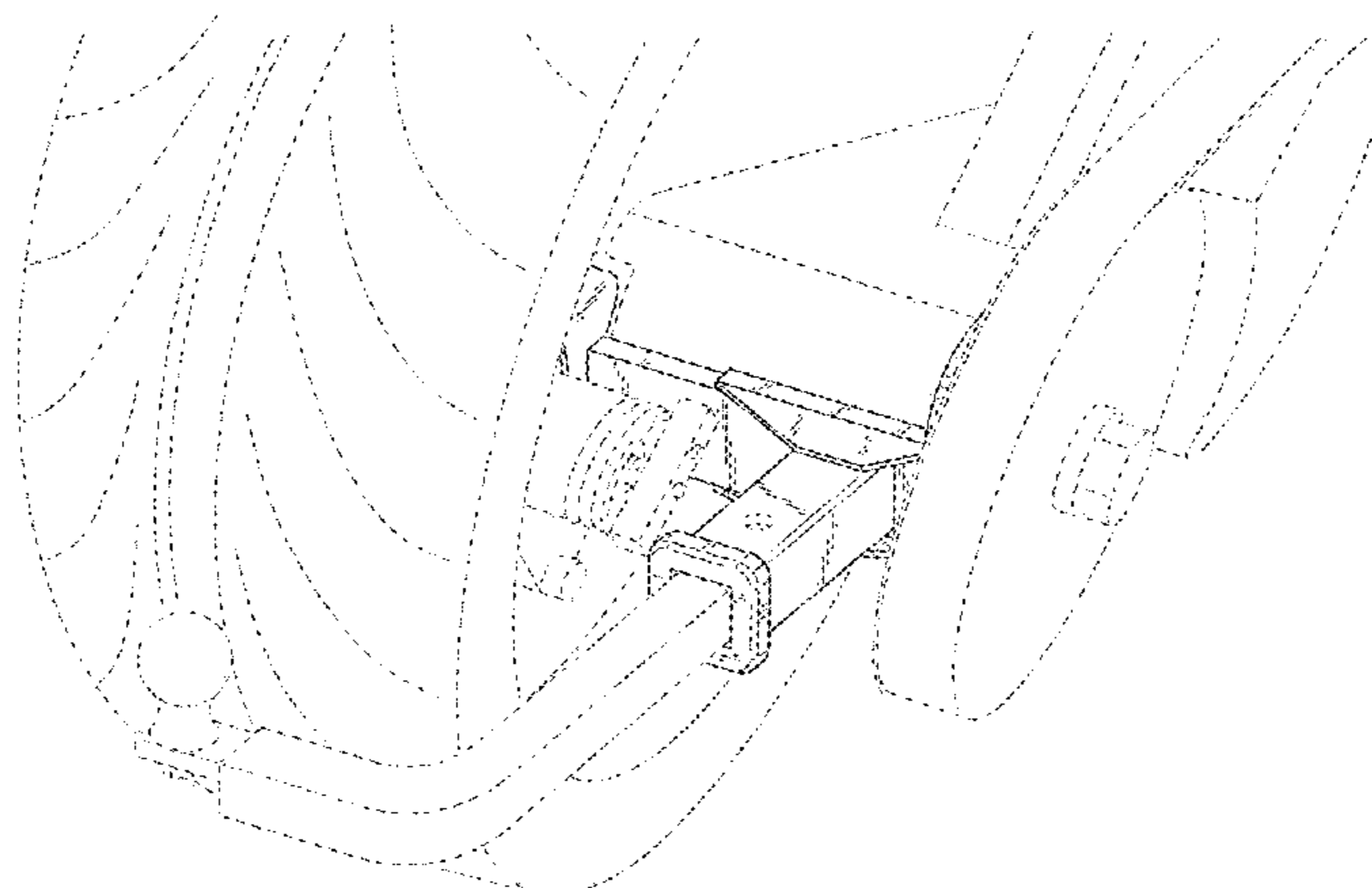
FIG. 8 is a top view thereof; and,

FIG. 9 is a bottom view thereof.

The design is for a hitch which is adapted to be connected to the rear of a motor vehicle. The hitch, in use, receives a ball mount and a hitch ball.

The broken lines within the solid lines in FIG. 1 and all broken lines in FIGS. 2-8 illustrate portions of the hitch that are not included in the claim. All other broken lines in FIG. 1 depict environmental subject matter that forms no part of the claimed design.

**1 Claim, 5 Drawing Sheets**



(56)

**References Cited**

U.S. PATENT DOCUMENTS

2016/0185170 A1\* 6/2016 McAllister ..... B60D 1/485  
280/479.1  
2016/0311281 A1\* 10/2016 Mantovani ..... B60D 1/52

OTHER PUBLICATIONS

Slingshotforums.com. "Bests Posts in Thread: New Trailer Hitch Polaris Slingshot Alpha Powersport Trailer Hitch." Posted Mar. 28, 2016. Retrieved Mar. 15, 2017. (<http://www.slingshotforums.com/threads/newtrailerhitchpolarisslingshotalphapowersporttrailerhitch.11985/bestposts>).\*

\* cited by examiner

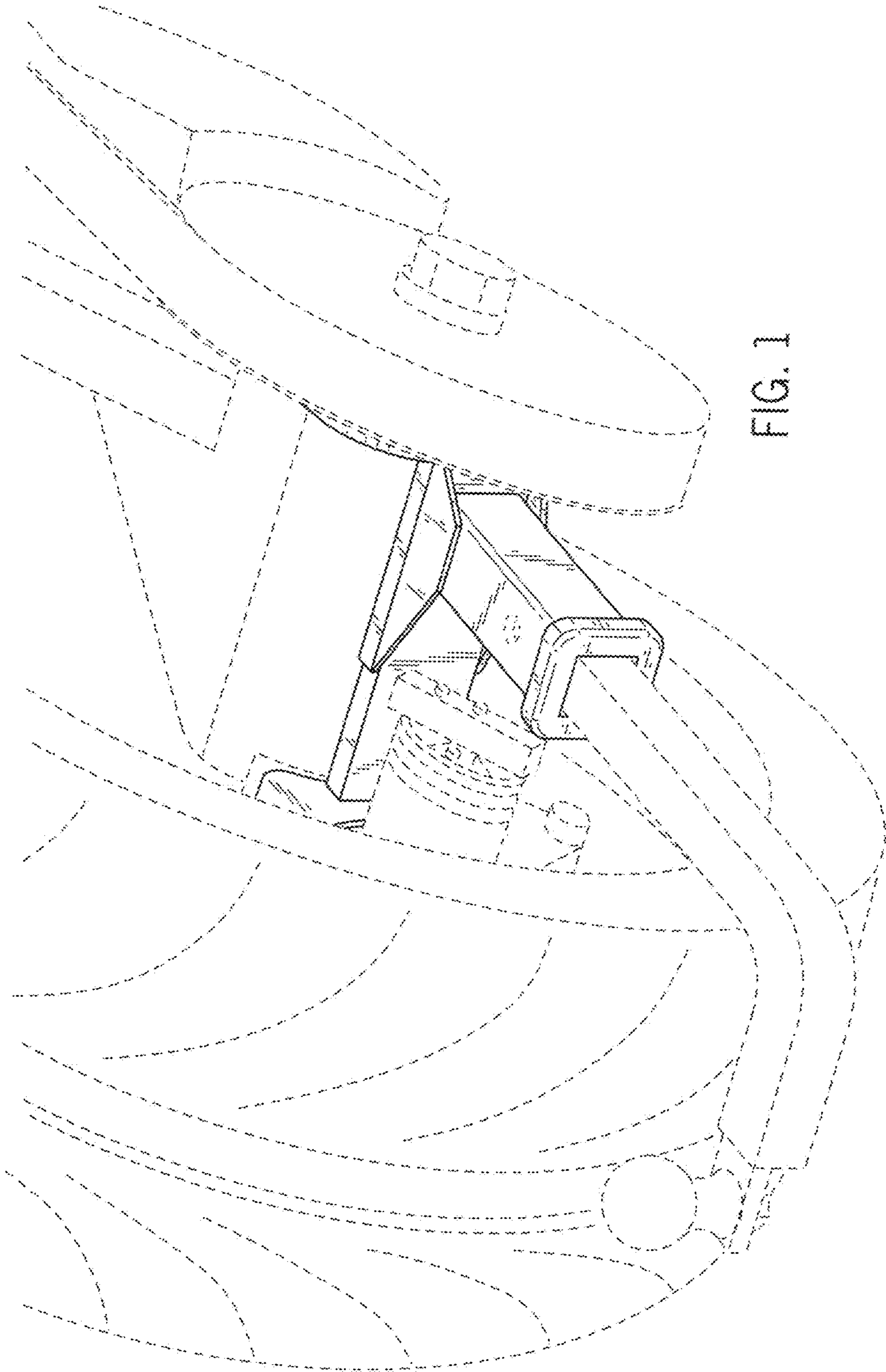


FIG. 1

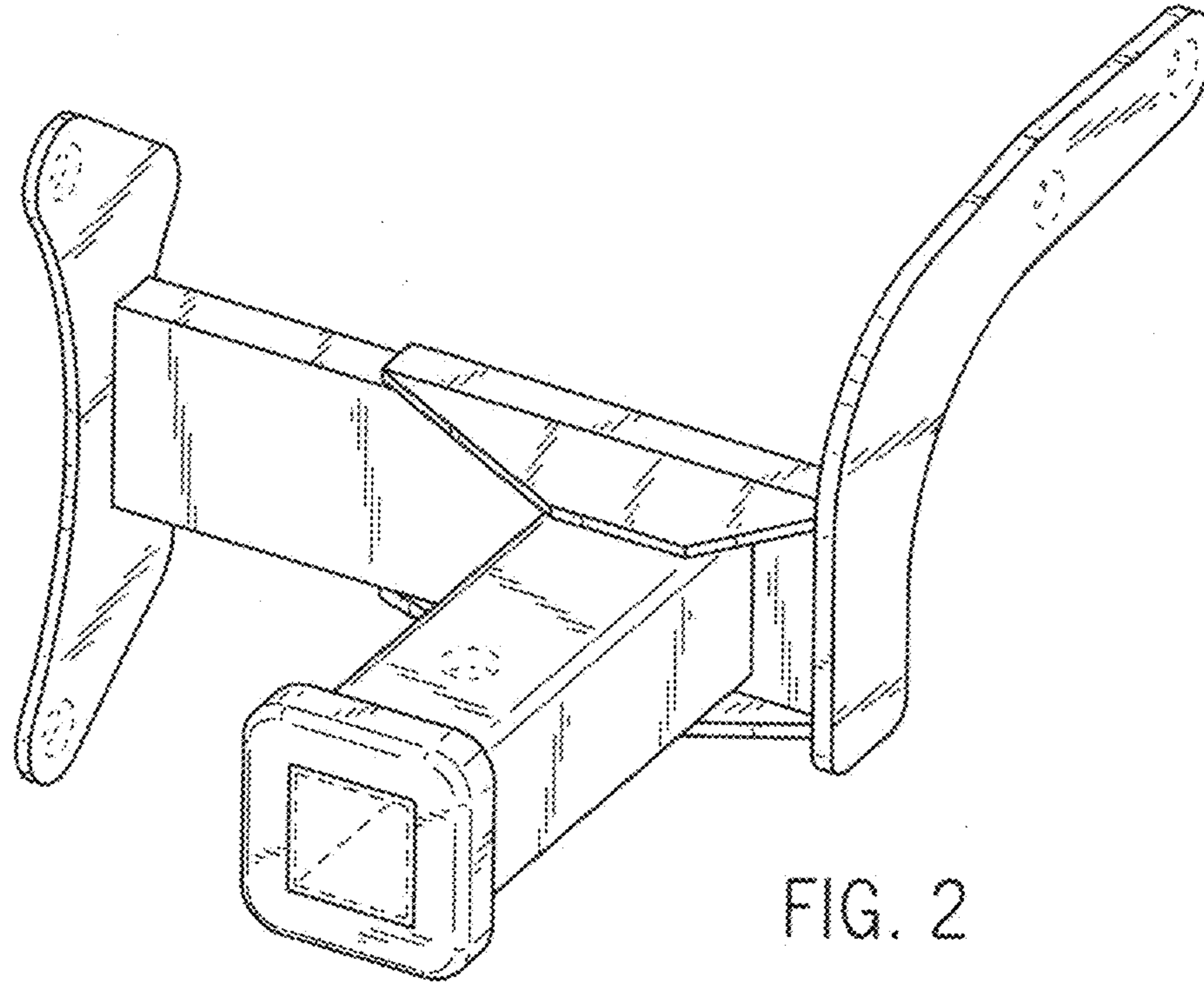


FIG. 2

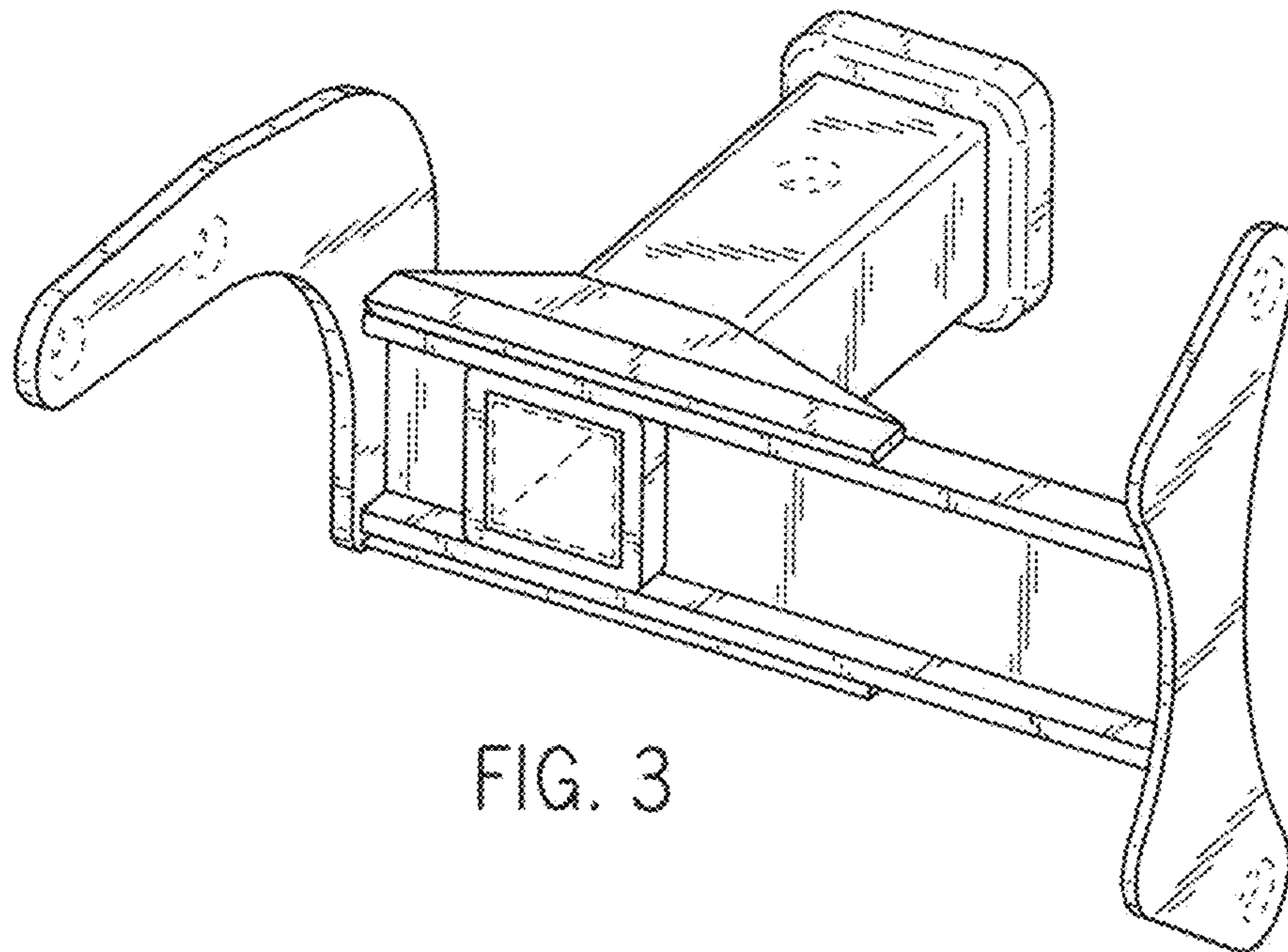


FIG. 3

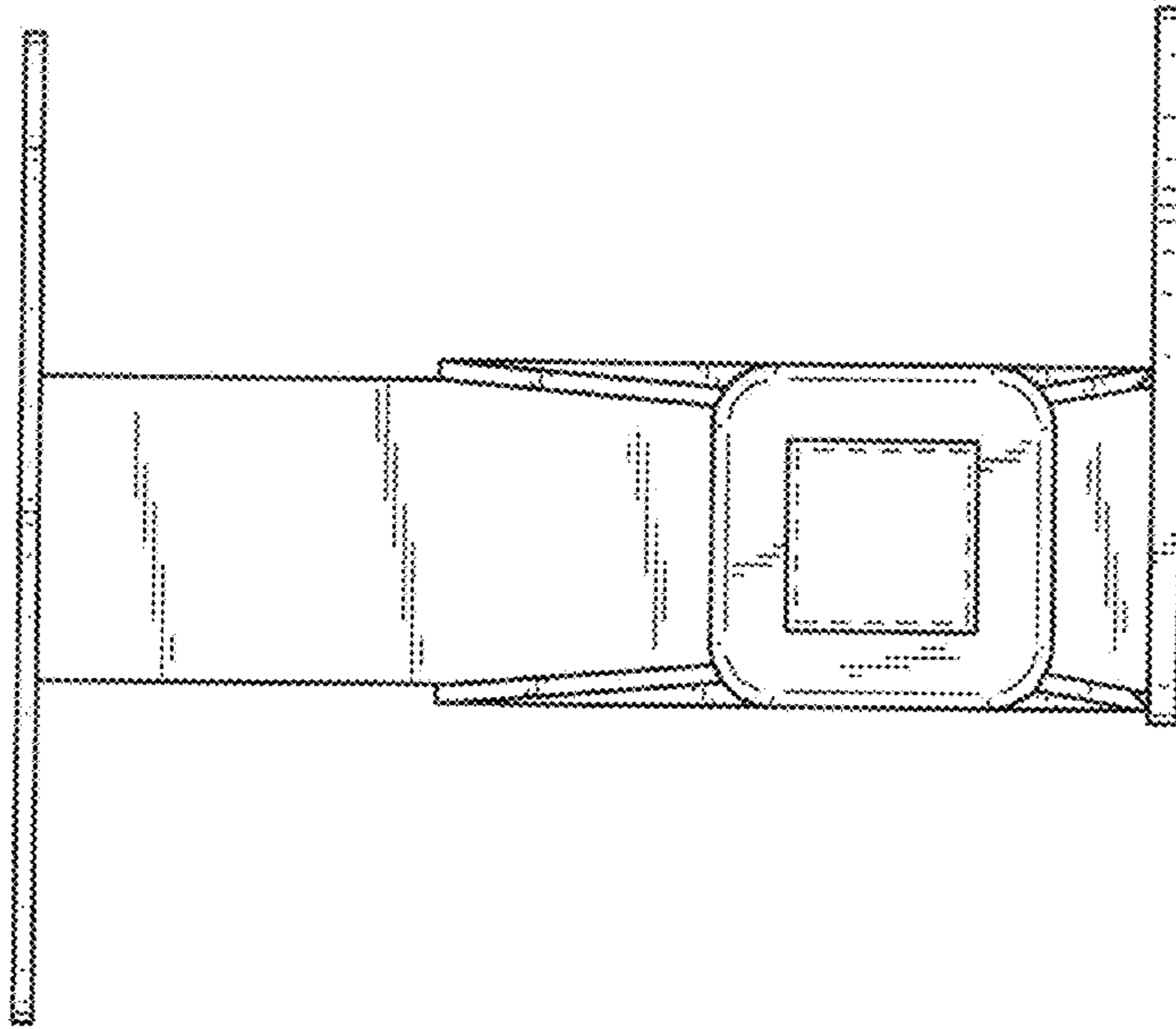


FIG. 4

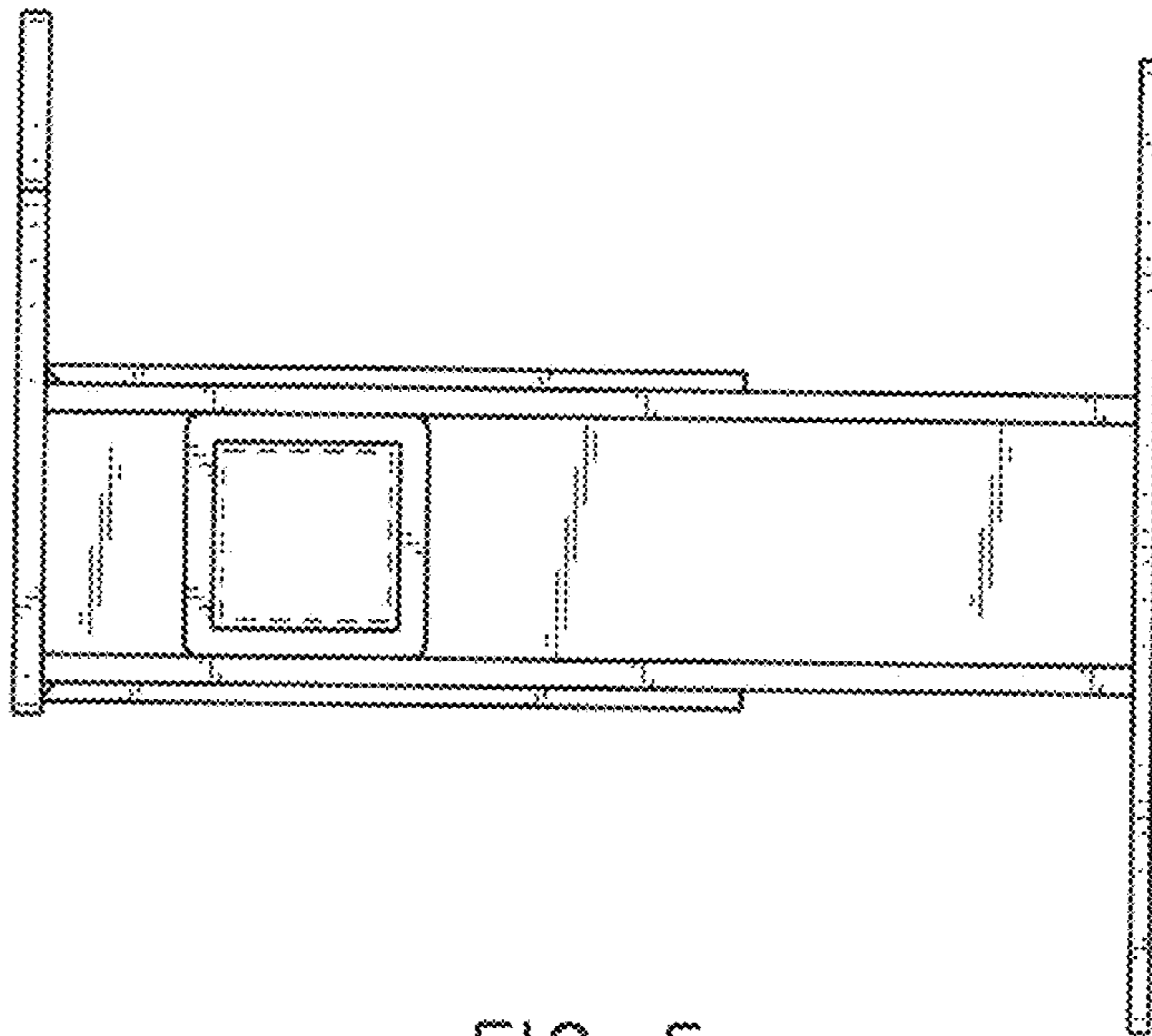


FIG. 5

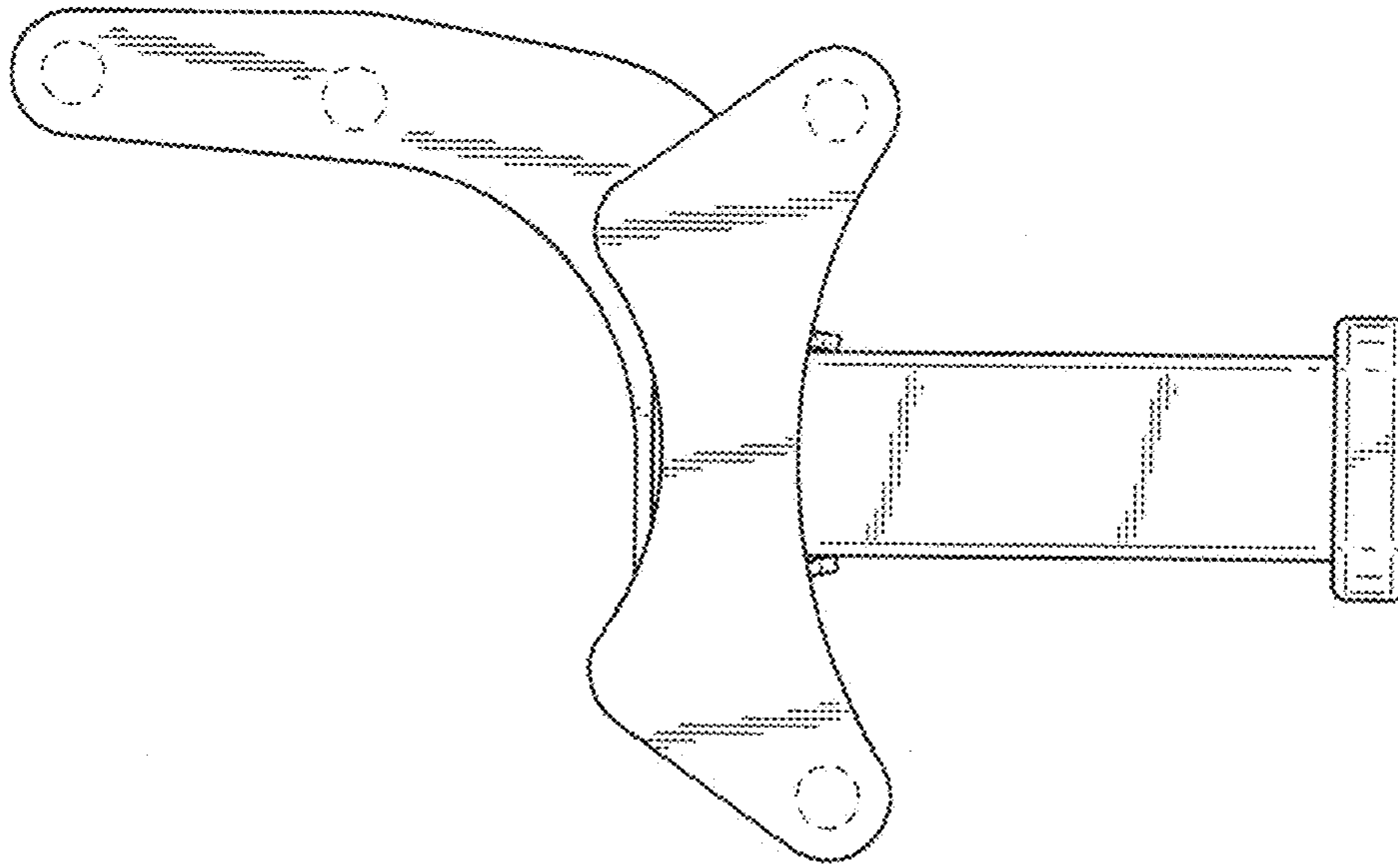


FIG. 6

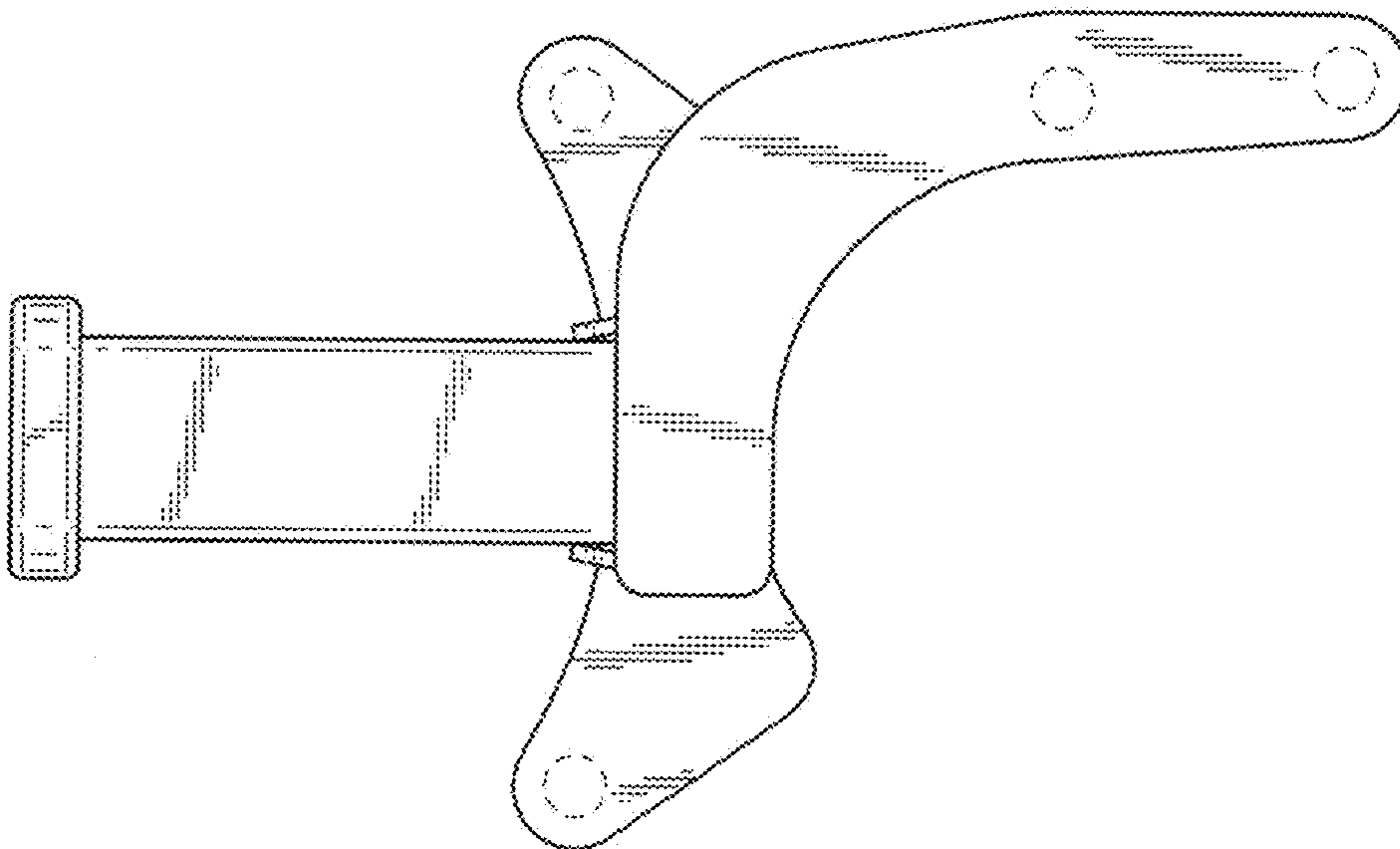


FIG. 7

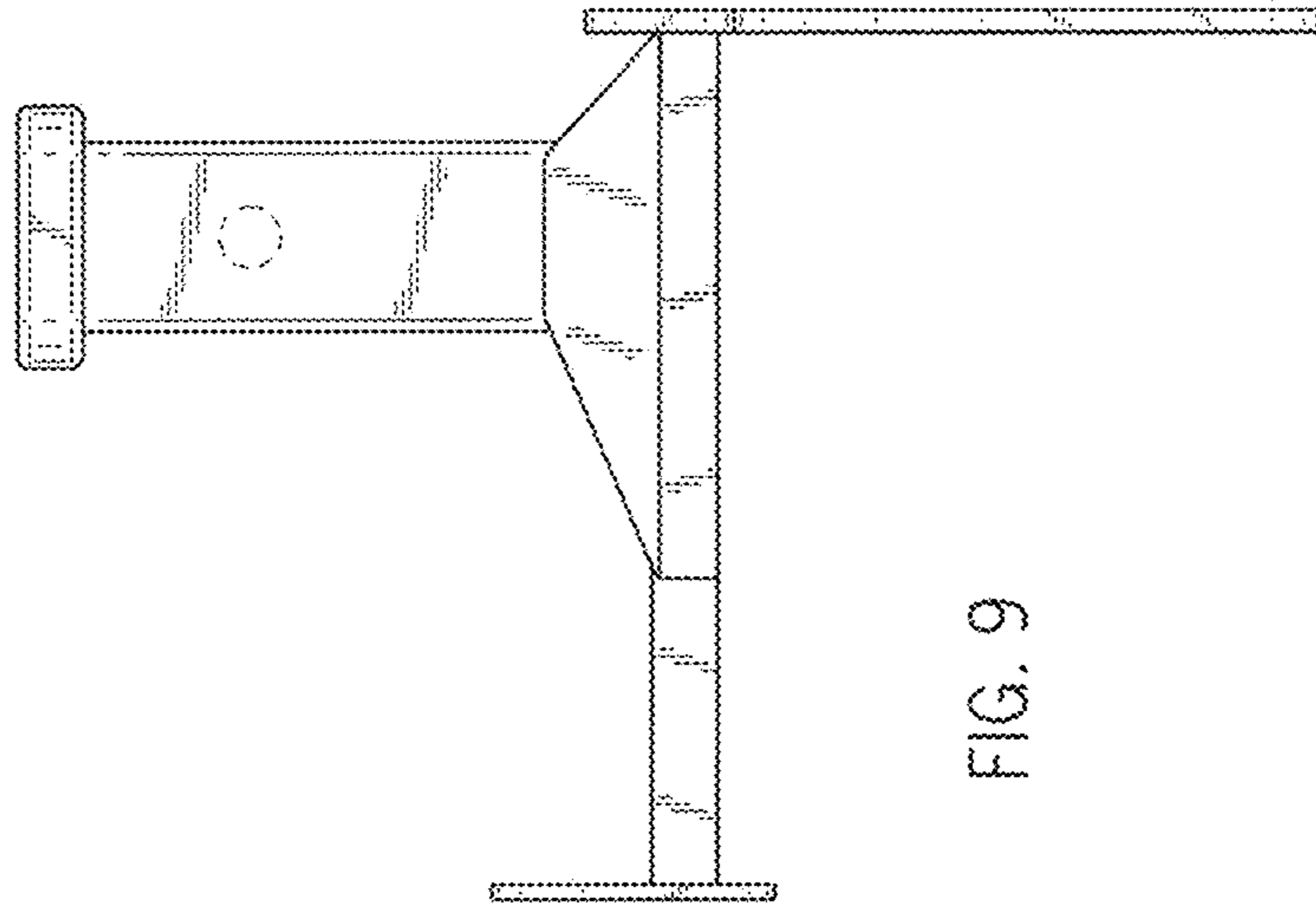


FIG. 9

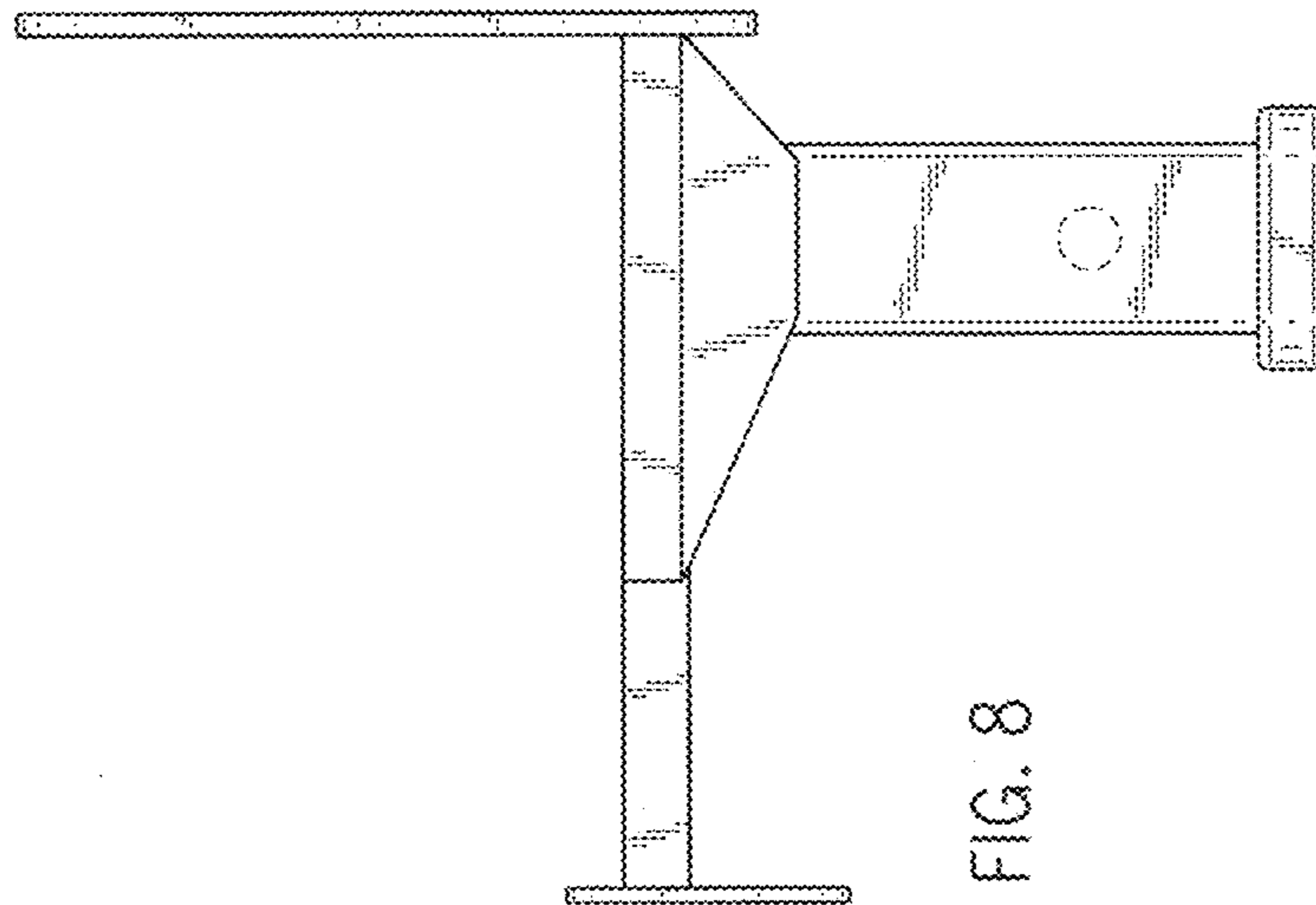


FIG. 8