



US00D796387S

(12) **United States Design Patent** (10) **Patent No.:** **US D796,387 S**
Lee et al. (45) **Date of Patent:** **** Sep. 5, 2017**

- (54) **BICYCLIST SUPPORT STRUCTURE**
- (71) Applicant: **Everlast Climbing Industries, Inc.**,
Mendota Heights, MN (US)
- (72) Inventors: **Justin Lee**, Eagan, MN (US); **Joel Greenblatt**, Wauwatosa, WI (US);
Andrew Patrick Kennedy Lageson,
Minneapolis, MN (US)
- (73) Assignee: **EVERLAST CLIMBING INDUSTRIES, INC.**, Minneapolis, MN (US)
- (**) Term: **15 Years**
- (21) Appl. No.: **29/569,378**
- (22) Filed: **Jun. 27, 2016**
- (51) **LOC (10) Cl.** **12-11**
- (52) **U.S. Cl.**
USPC **D12/115**
- (58) **Field of Classification Search**
USPC D12/115, 120, 402, 406, 407; D21/797,
D21/691, 679, 668, 664; D25/41.1
CPC B60R 9/06; B60R 9/10; B62H 3/00; B62H
3/04; B62H 3/06; B62H 3/08; B62H 3/10
See application file for complete search history.

(56) **References Cited**

U.S. PATENT DOCUMENTS

D118,398 S *	1/1940	Wheary	D12/115
D233,513 S *	11/1974	Corkill	D12/115
D268,488 S *	4/1983	Arnott	D12/115
D290,033 S *	5/1987	Policastro	D21/691
D295,030 S *	4/1988	Wahl	D12/115
D301,361 S *	5/1989	Harlan	D21/691
D302,803 S *	8/1989	Villanueva	D12/115
D324,708 S *	3/1992	Walsh	D21/691
D328,882 S *	8/1992	Martinell	D12/115
D355,005 S *	1/1995	Voohanel, Jr.	D21/691

D381,715 S *	7/1997	Reeder	D21/691
6,179,748 B1 *	1/2001	Barr	A63B 1/00 482/38
D487,124 S *	2/2004	Toniolo	D21/691
D488,106 S *	4/2004	Birkmann	D12/115
D503,757 S *	4/2005	Sjurdagardi	D21/686
D525,668 S *	7/2006	Payne	D21/691
D617,400 S *	6/2010	Hetzel	D21/691
D623,707 S *	9/2010	Ritchie	D21/679
D633,156 S *	2/2011	Caswell	D21/679
D633,961 S *	3/2011	Loew	D21/679
D650,024 S *	12/2011	Ivanov	D21/662
D667,904 S *	9/2012	DeFrancisci	D21/691
D682,955 S *	5/2013	Stephan	D21/679

(Continued)

Primary Examiner — George D. Kirschbaum

Assistant Examiner — Clese Moore, Jr.

(74) *Attorney, Agent, or Firm* — McAndrews, Held & Malloy, Ltd.

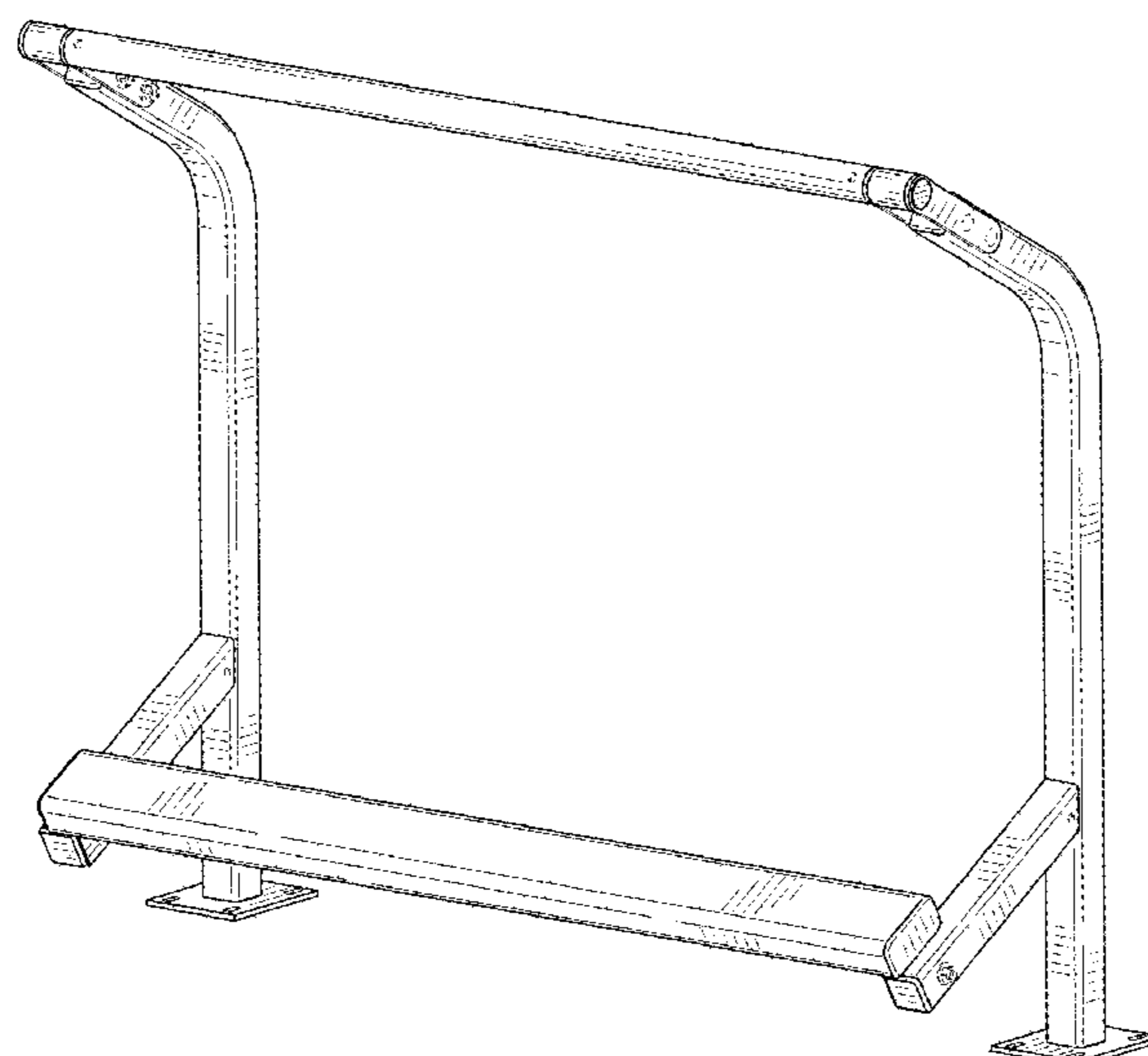
(57) **CLAIM**

The ornamental design for a bicyclist support structure, as shown and described.

DESCRIPTION

FIG. 1 is top, front, right side perspective view of a bicyclist support structure showing my new design;
 FIG. 2 is a top, rear, left side perspective view thereof;
 FIG. 3 is a front elevational view thereof;
 FIG. 4 is a rear elevational view thereof;
 FIG. 5 is a right side elevational view thereof;
 FIG. 6 is a left side elevational view thereof;
 FIG. 7 is a top plan view thereof;
 FIG. 8 is a bottom plan view thereof;
 FIG. 9 is a top, rear, left side perspective view thereof, including unclaimed environmental features; and,
 FIG. 10 is a top, front, right side perspective view thereof, including unclaimed environmental features.
 The broken lines of FIGS. 1 through 10 form no part of the claimed design.

1 Claim, 8 Drawing Sheets



(56)

References Cited

U.S. PATENT DOCUMENTS

D728,708 S *	5/2015	Green	D21/679
D748,562 S *	2/2016	Greenblatt	D12/402
2013/0040784 A1 *	2/2013	Gillespie	A63B 1/00 482/39

* cited by examiner

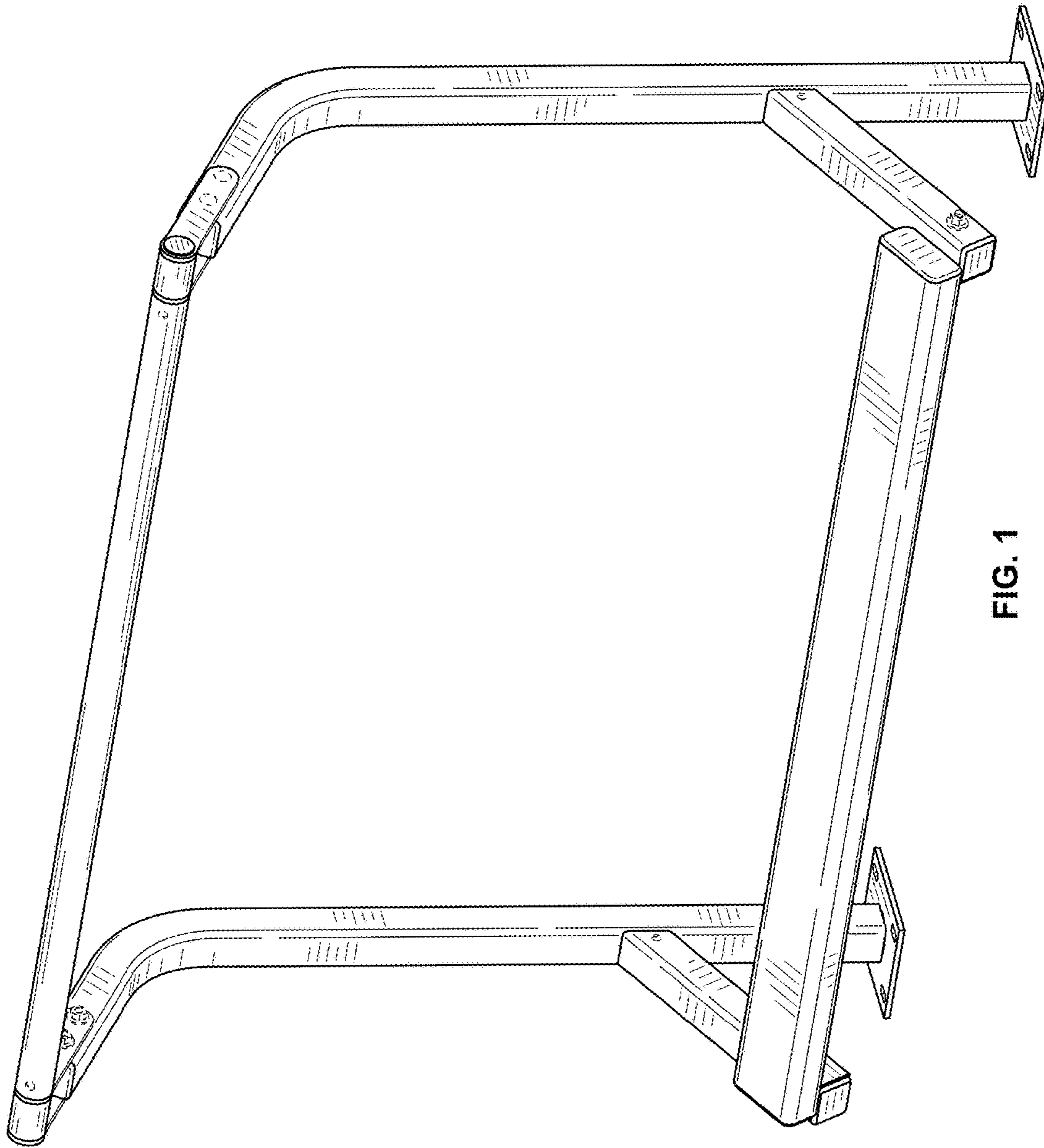


FIG. 1

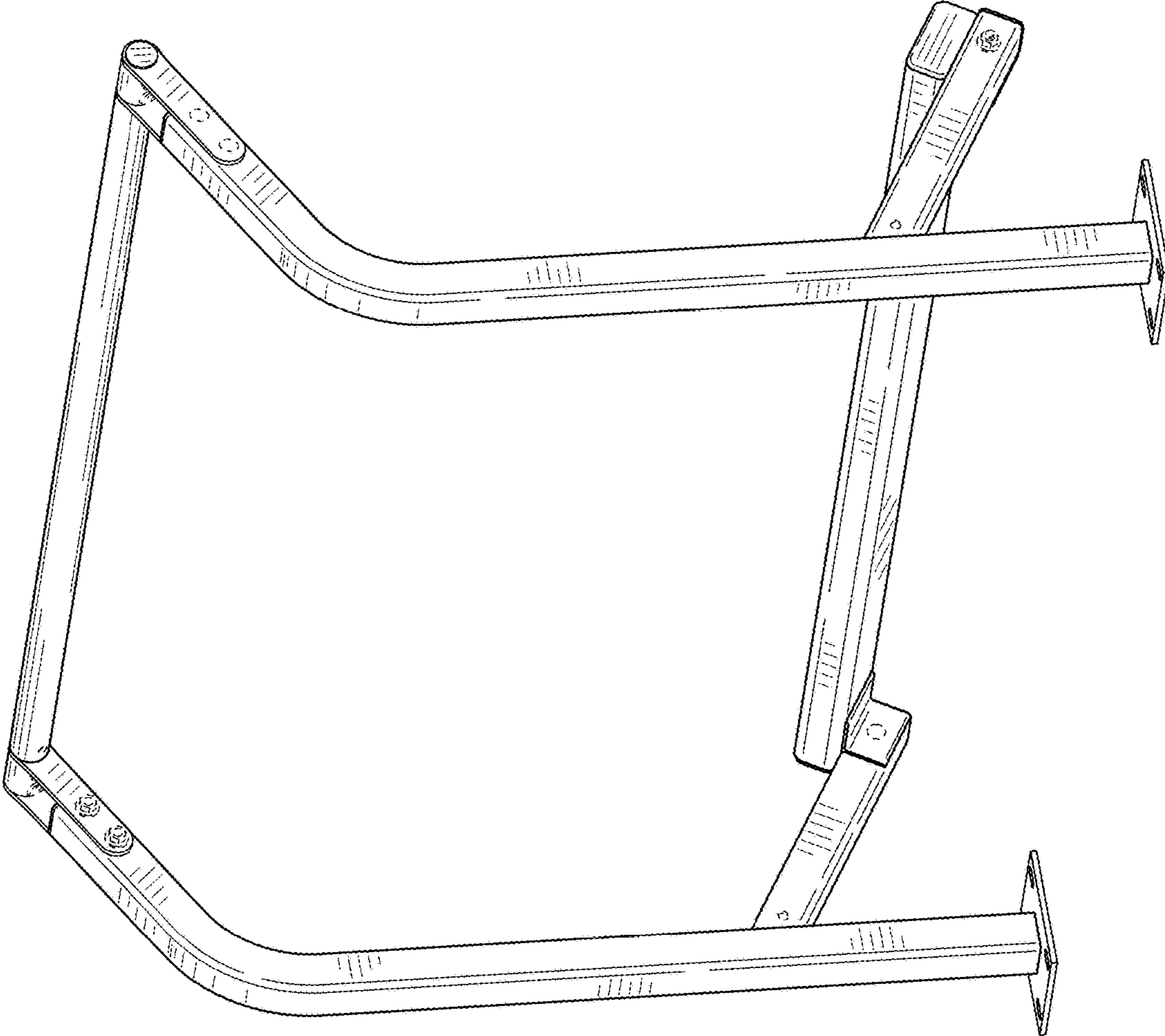


FIG. 2

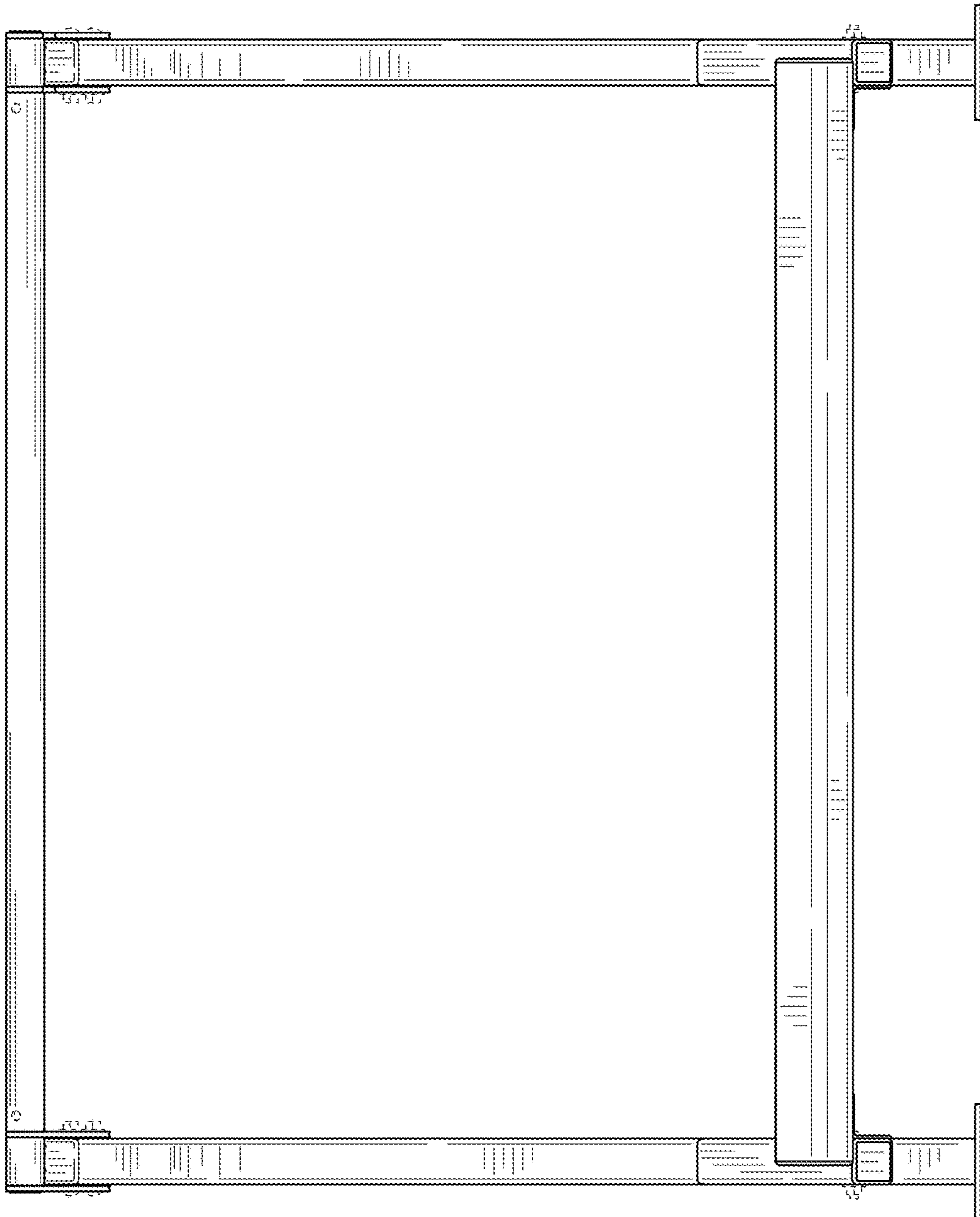


FIG. 3

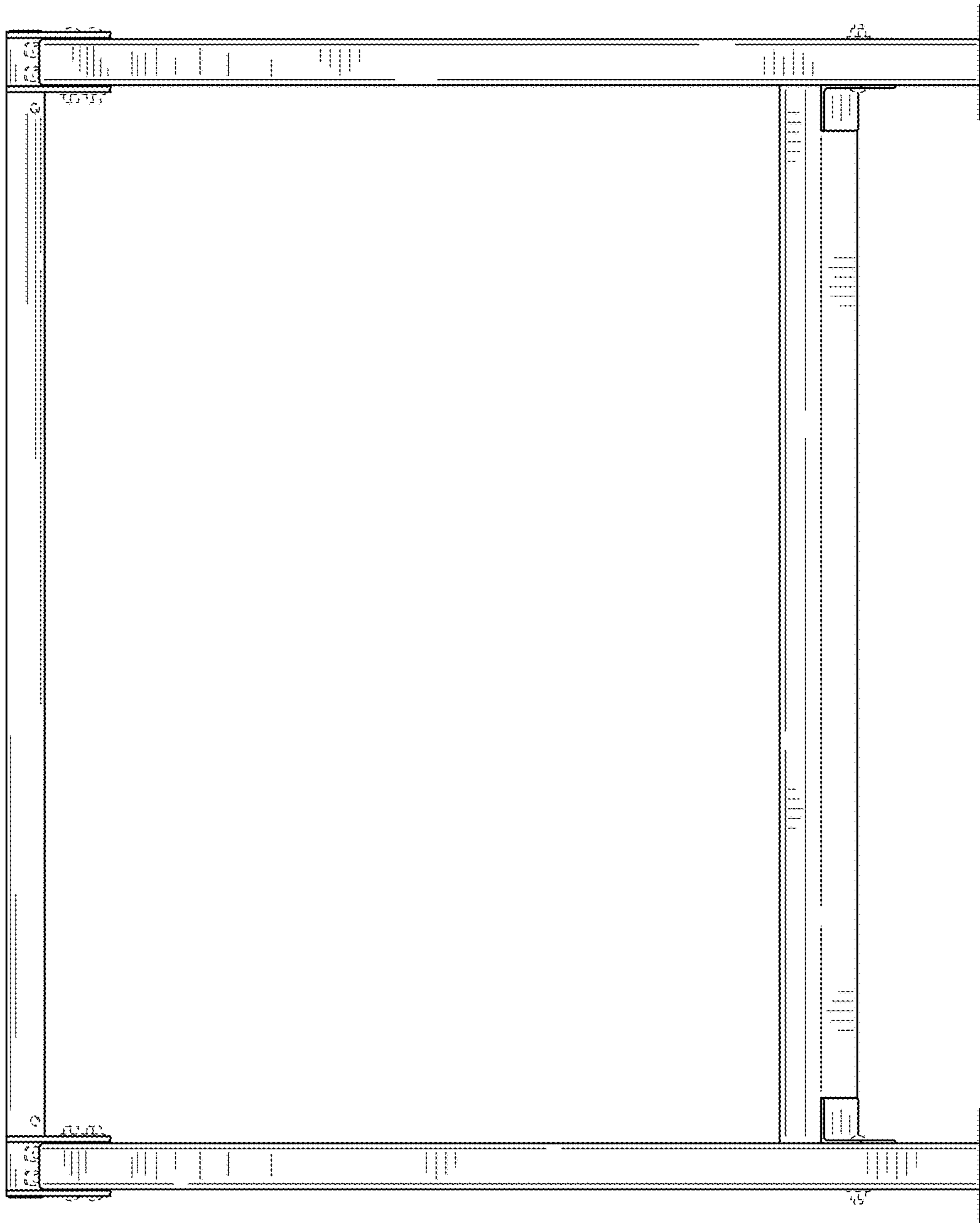


FIG. 4

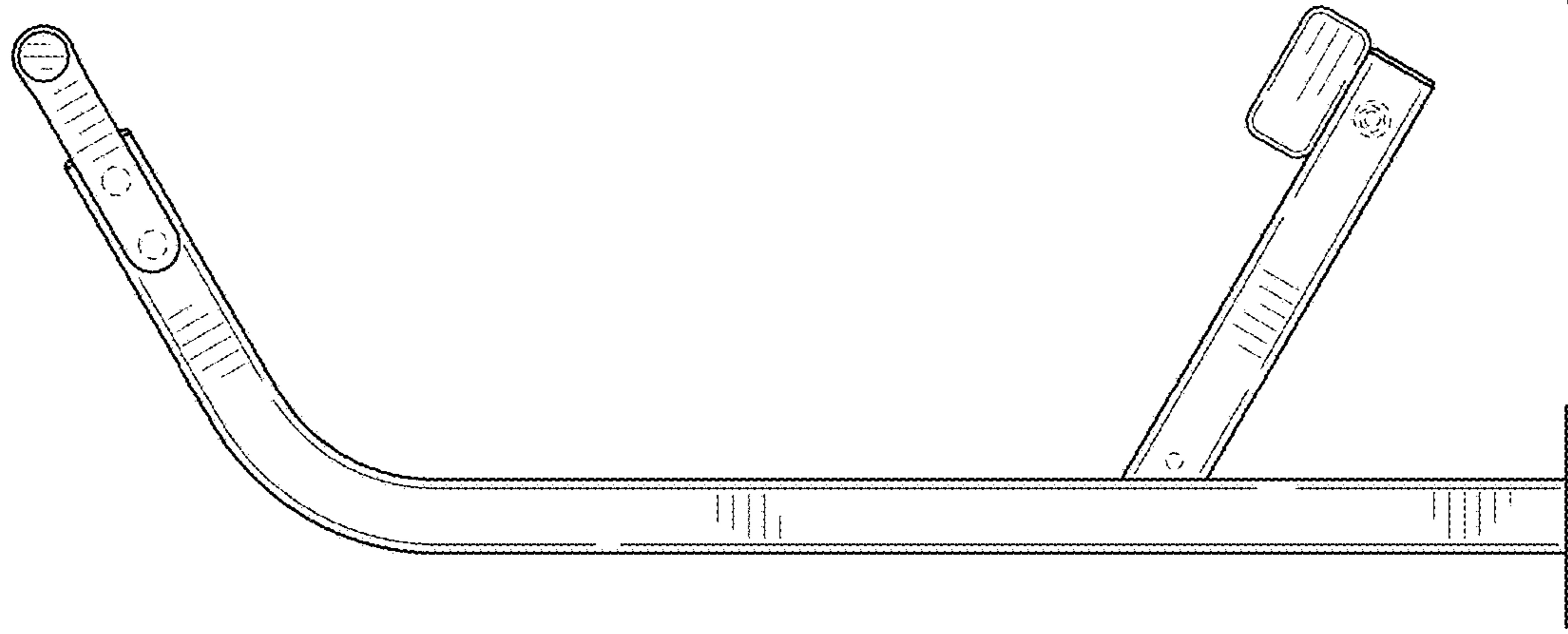


FIG. 6

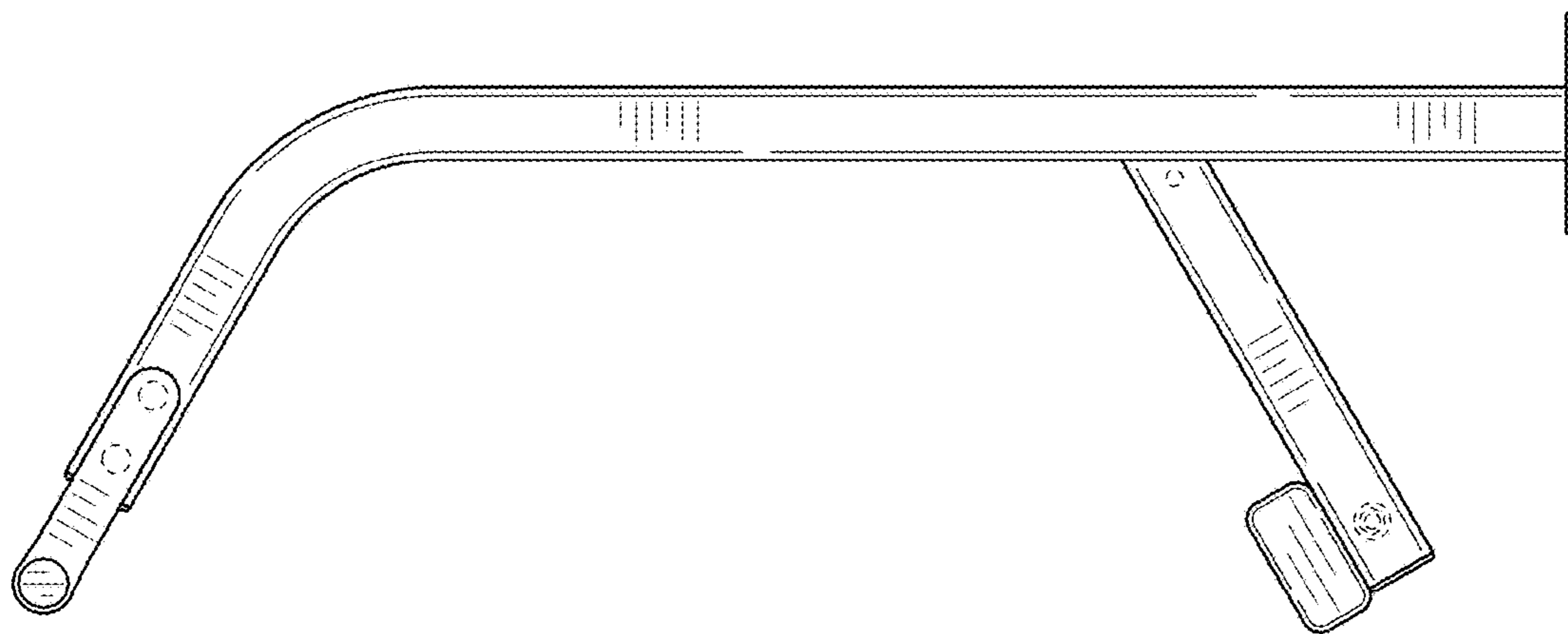


FIG. 5

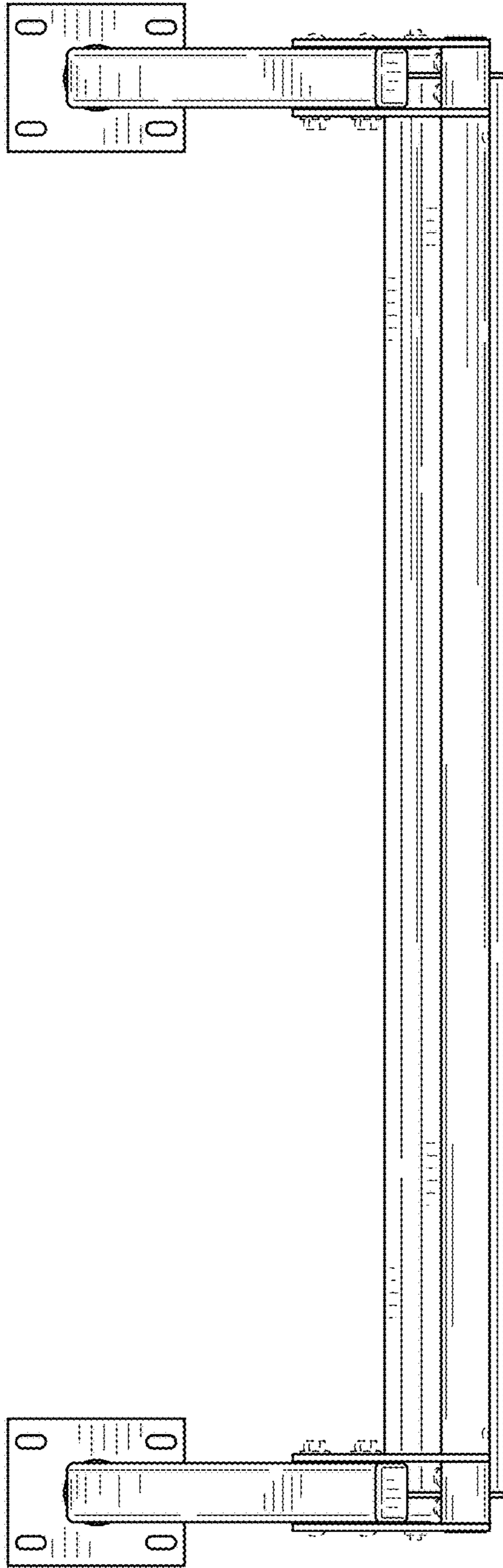


FIG. 7

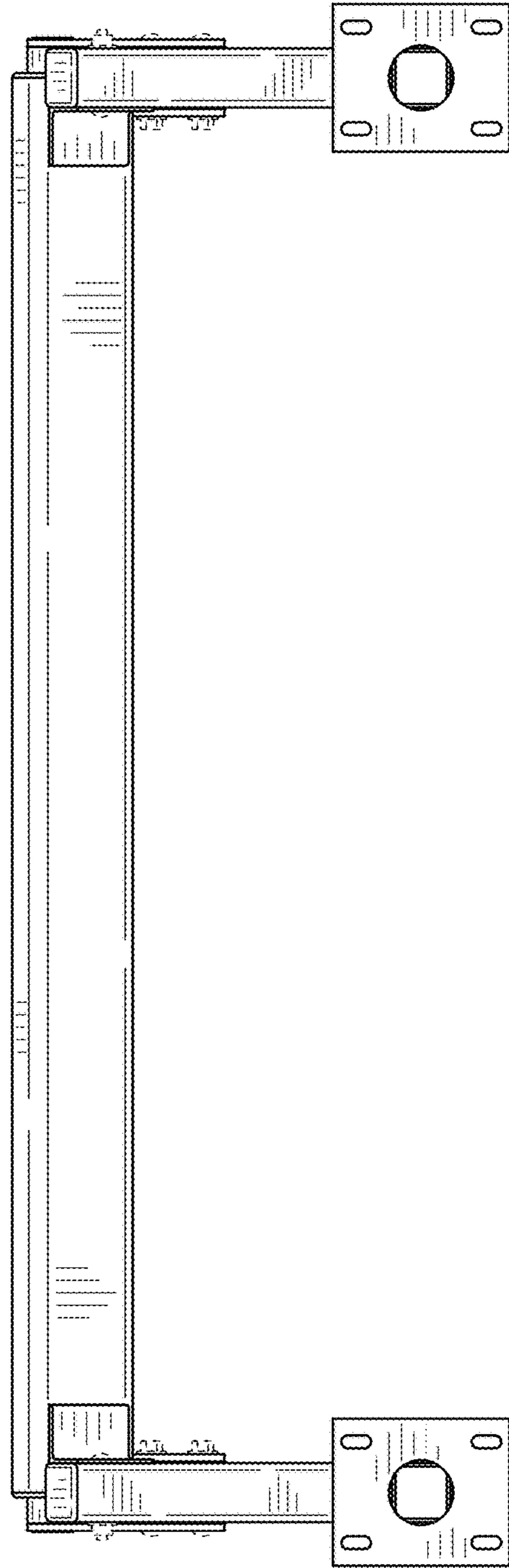


FIG. 8

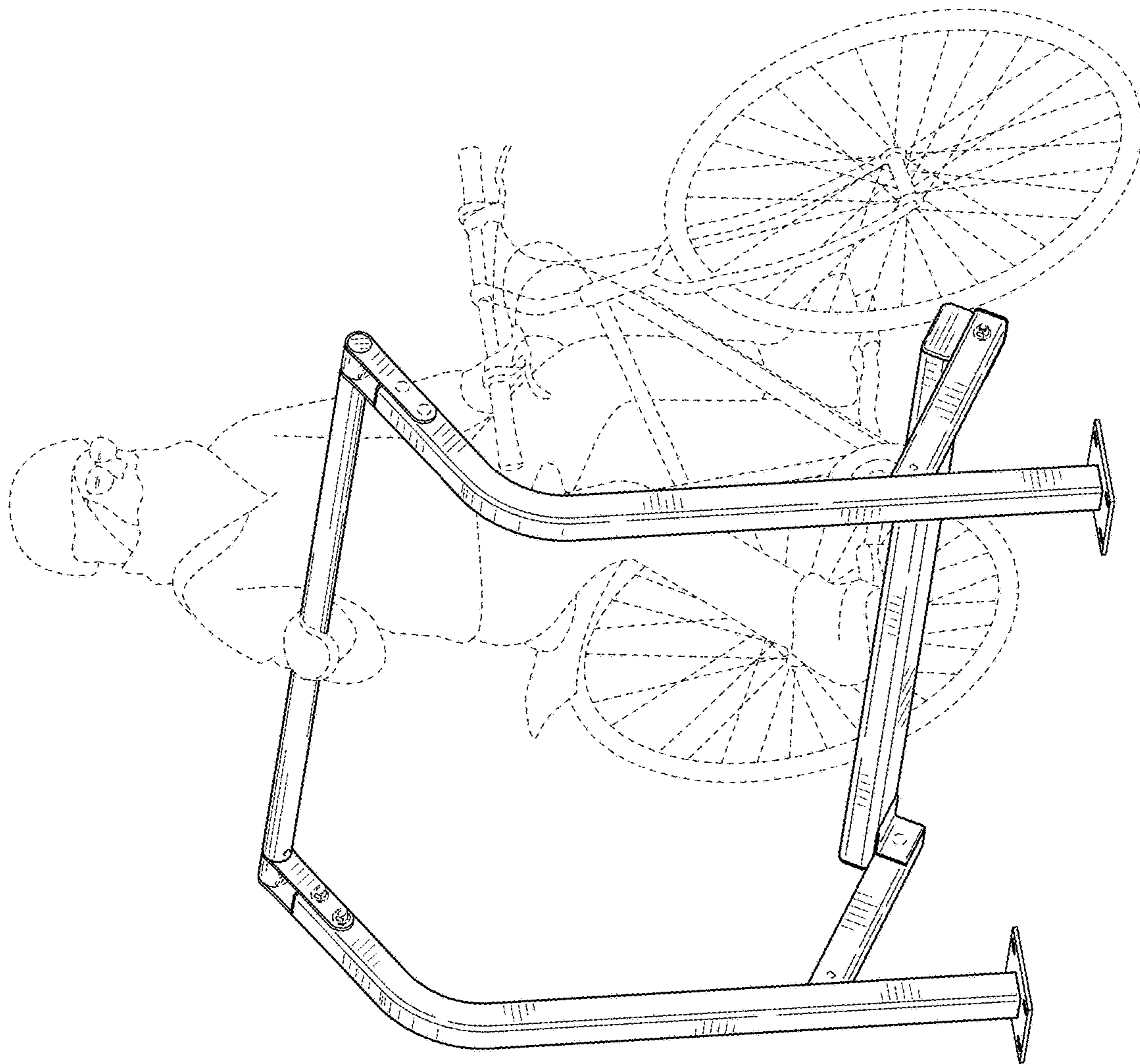


FIG. 9

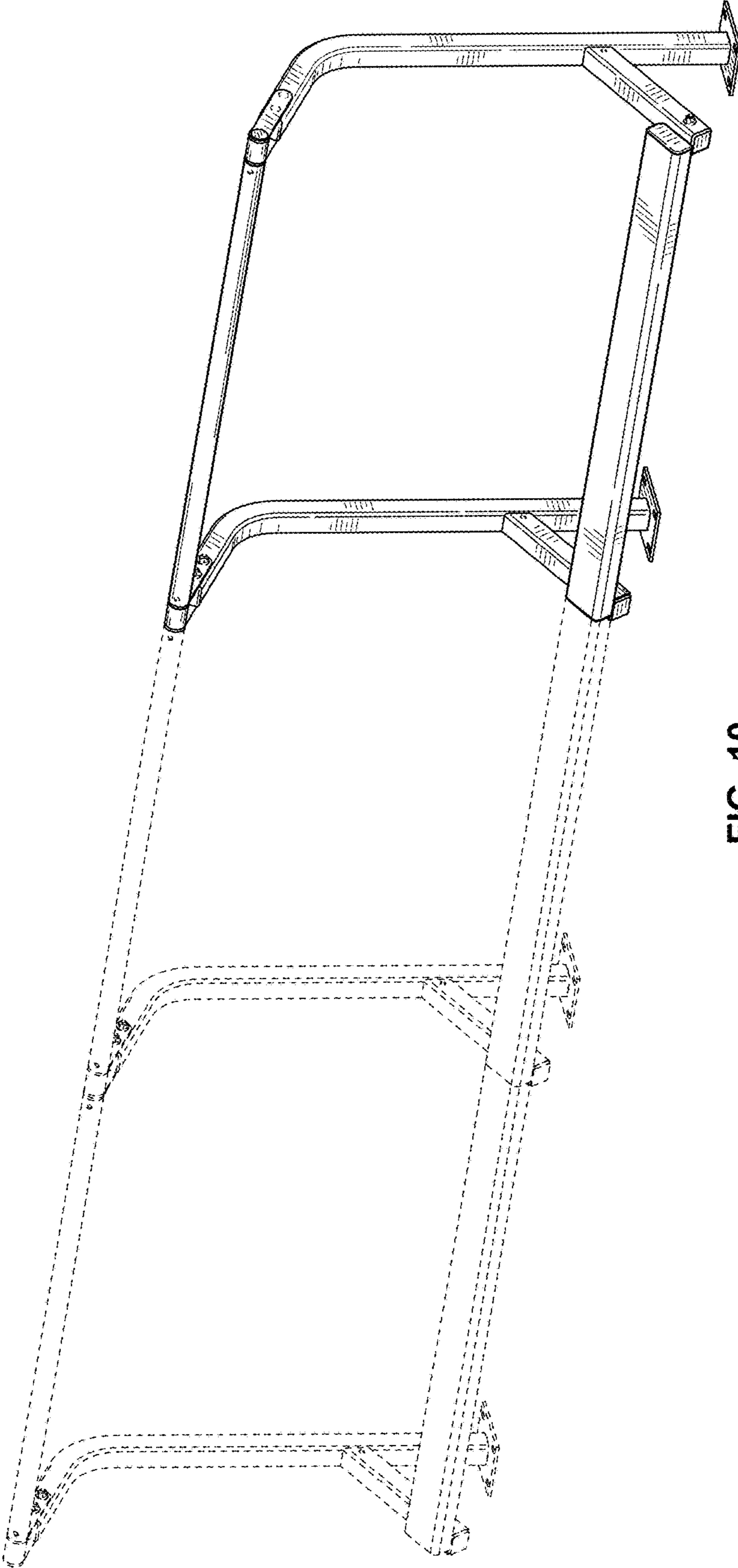


FIG. 10