



US00D796386S

(12) **United States Design Patent** (10) **Patent No.:** **US D796,386 S**  
**Hu** (45) **Date of Patent:** **\*\* Sep. 5, 2017**

(54) **DECORATIONS FOR A MOTORCYCLE**  
(71) Applicant: **NINGBO XINKAIHONG MACHINE FABRICATE CO., LTD**, Ningbo, Zhejiang (CN)  
(72) Inventor: **Hongbin Hu**, Zhejiang (CN)  
(73) Assignee: **NINGBO XINKAIHONG MACHINE FABRICATE CO., LTD**, Ningbo (CN)

(\*\*) Term: **15 Years**

(21) Appl. No.: **29/541,467**  
(22) Filed: **Oct. 4, 2015**  
(51) **LOC (10) Cl.** ..... **12-11**  
(52) **U.S. Cl.**  
USPC ..... **D12/114**  
(58) **Field of Classification Search**  
USPC ..... D12/114, 110, 123, 125, 213, 126, 174, D12/177-180, 223, 197, 400; D8/349  
CPC .. B62J 7/06; B62J 25/00; B62K 21/26; B62K 25/02  
See application file for complete search history.

(56) **References Cited**

**U.S. PATENT DOCUMENTS**

D319,037 S \* 8/1991 Hoepfner, III ..... D12/114  
D405,393 S \* 2/1999 Stahel ..... D12/114  
6,161,859 A \* 12/2000 Cheng ..... B62J 25/00  
280/291  
D506,707 S \* 6/2005 Egan ..... D12/114  
D512,894 S \* 12/2005 Nimphius ..... D12/114  
D523,739 S \* 6/2006 Williams ..... D8/397  
D523,786 S \* 6/2006 Chacon ..... D12/114  
D528,477 S \* 9/2006 Egan ..... D12/114  
D533,481 S \* 12/2006 Goerges ..... D12/114  
D533,813 S \* 12/2006 Fujiwara ..... B62K 21/26  
D12/114  
D546,733 S \* 7/2007 Tanaka ..... D12/114

D560,562 S \* 1/2008 Egan ..... D12/114  
D591,206 S \* 4/2009 Donner ..... D12/114  
D654,775 S \* 2/2012 Higashi ..... D8/303  
D723,981 S \* 3/2015 May ..... D12/114  
D760,626 S \* 7/2016 Amidon ..... D12/114  
2009/0255093 A1\* 10/2009 Hsu ..... B25G 1/01  
16/421  
2015/0308484 A1\* 10/2015 Dubowski ..... F16B 41/005  
411/372.6

\* cited by examiner

*Primary Examiner* — George D. Kirschbaum  
*Assistant Examiner* — Clese Moore, Jr.

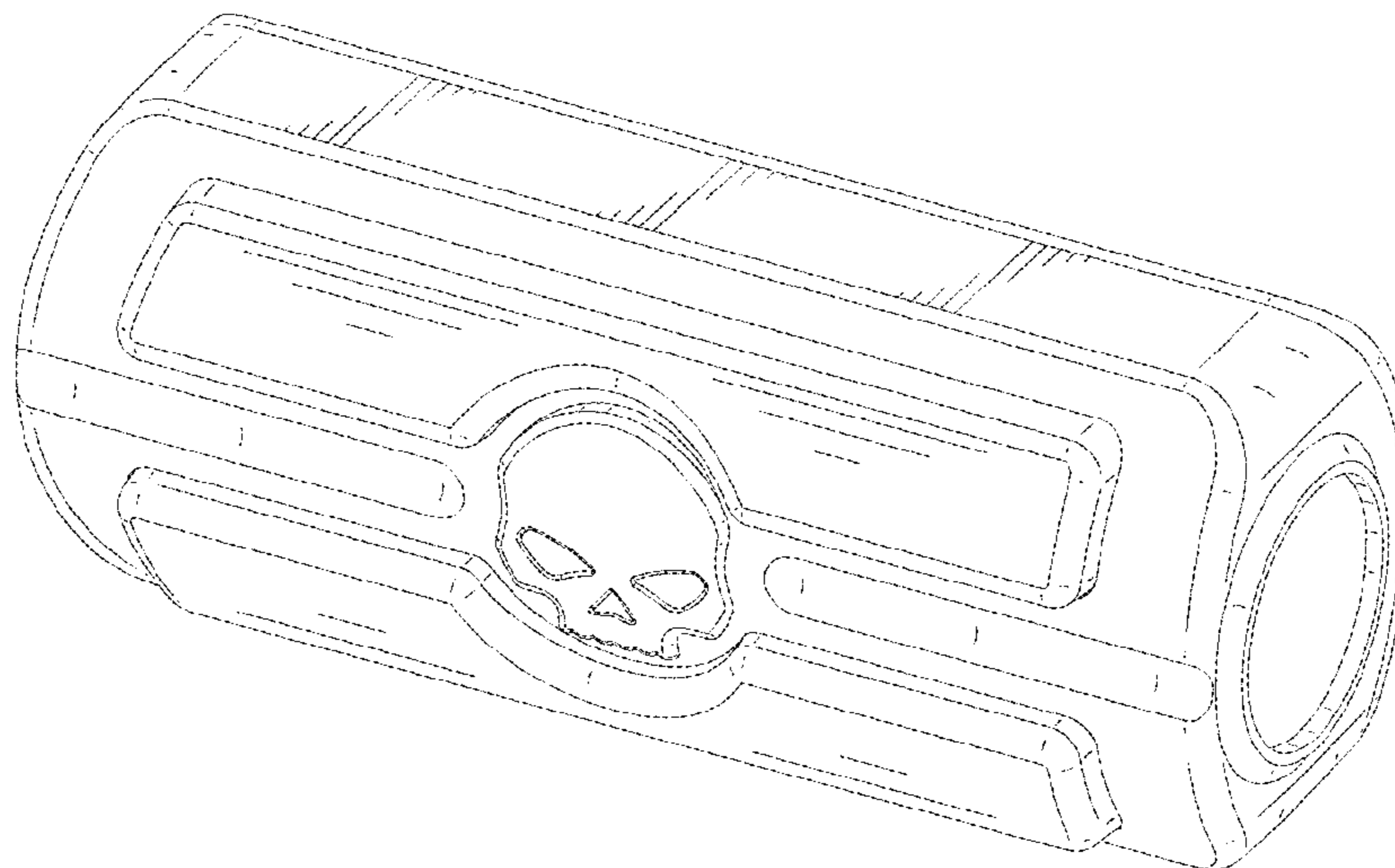
(57) **CLAIM**

The ornamental design for decorations for a motorcycle, as shown and described.

**DESCRIPTION**

FIG. 1 is a first perspective view of a first embodiment of decorations for a motorcycle showing my new design; FIG. 2 is a second perspective view of FIG. 1; FIG. 3 is a front elevational view of FIG. 1; FIG. 4 is a rear elevational view of FIG. 1; FIG. 5 is a left side view of FIG. 1; FIG. 6 is a right side view of FIG. 1; FIG. 7 is a top plan view of FIG. 1; FIG. 8 is a bottom plan view of FIG. 1; FIG. 9 is a first perspective view of a second embodiment of decorations for a motorcycle; FIG. 10 is a second perspective view of FIG. 9; FIG. 11 is a front elevational view of FIG. 9; FIG. 12 is a rear elevational view of FIG. 9; FIG. 13 is a left side view of FIG. 9; FIG. 14 is a right side view of FIG. 9; FIG. 15 is a top plan view of FIG. 9; and, FIG. 16 is a bottom plan view of FIG. 9. The broken lines shown illustrate portions of the decorations for a motorcycle that form no part of the claimed design.

**1 Claim, 16 Drawing Sheets**



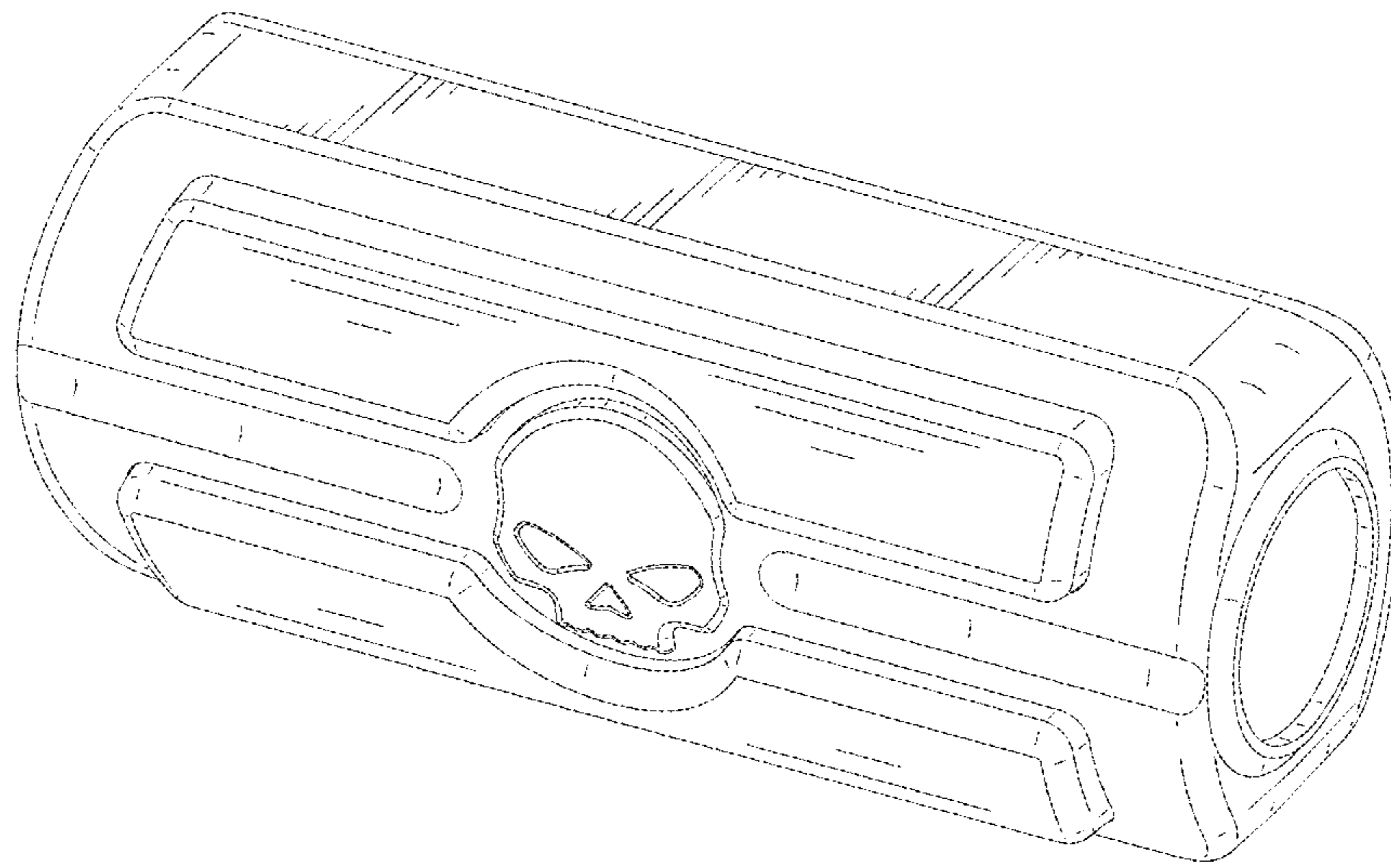


FIG.1

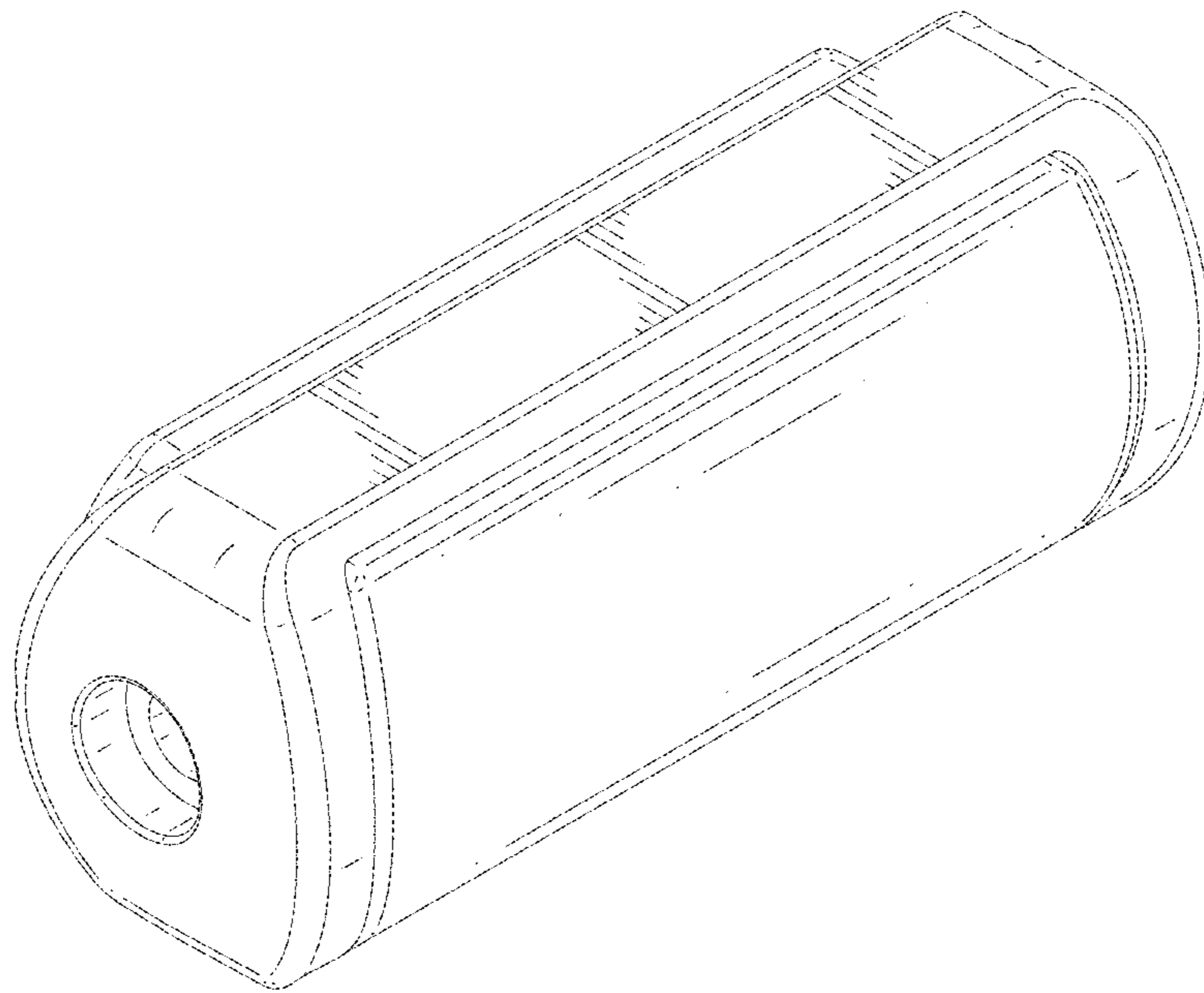


FIG.2

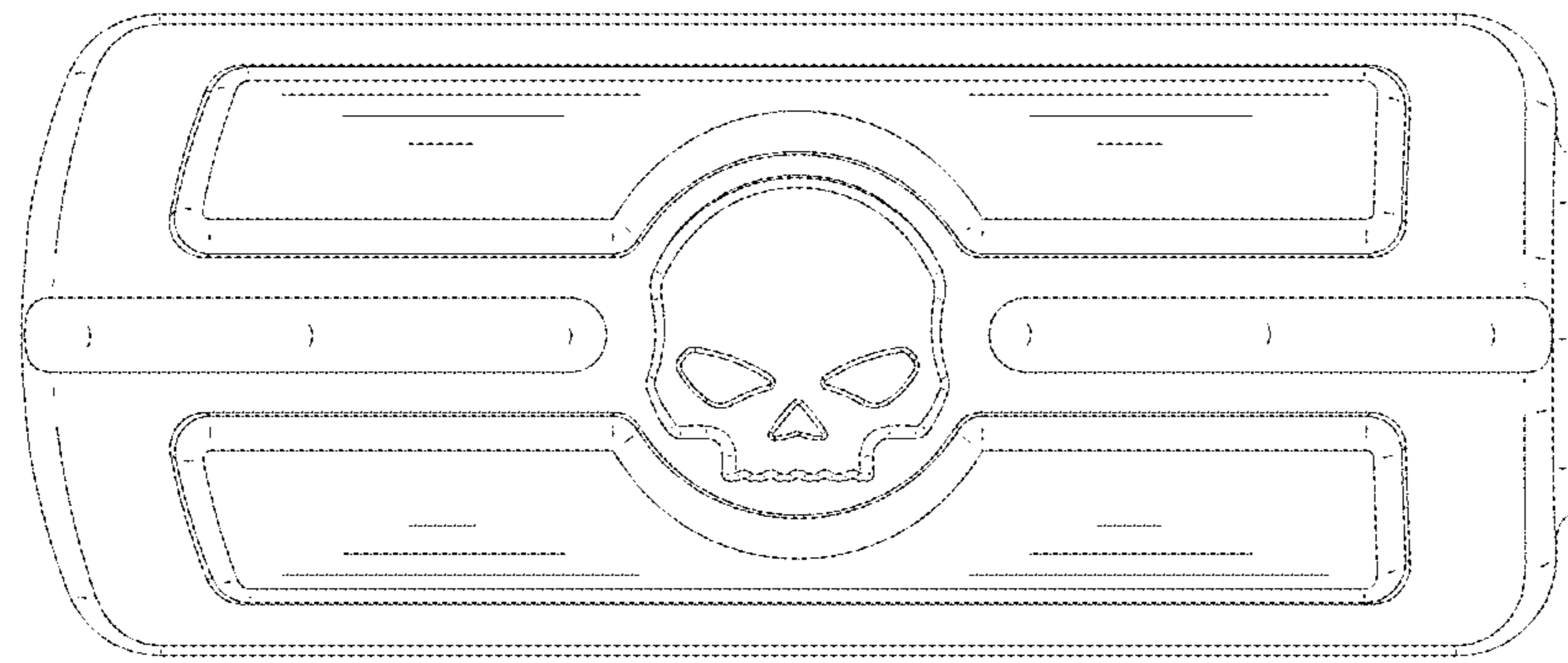


FIG.3



FIG.4

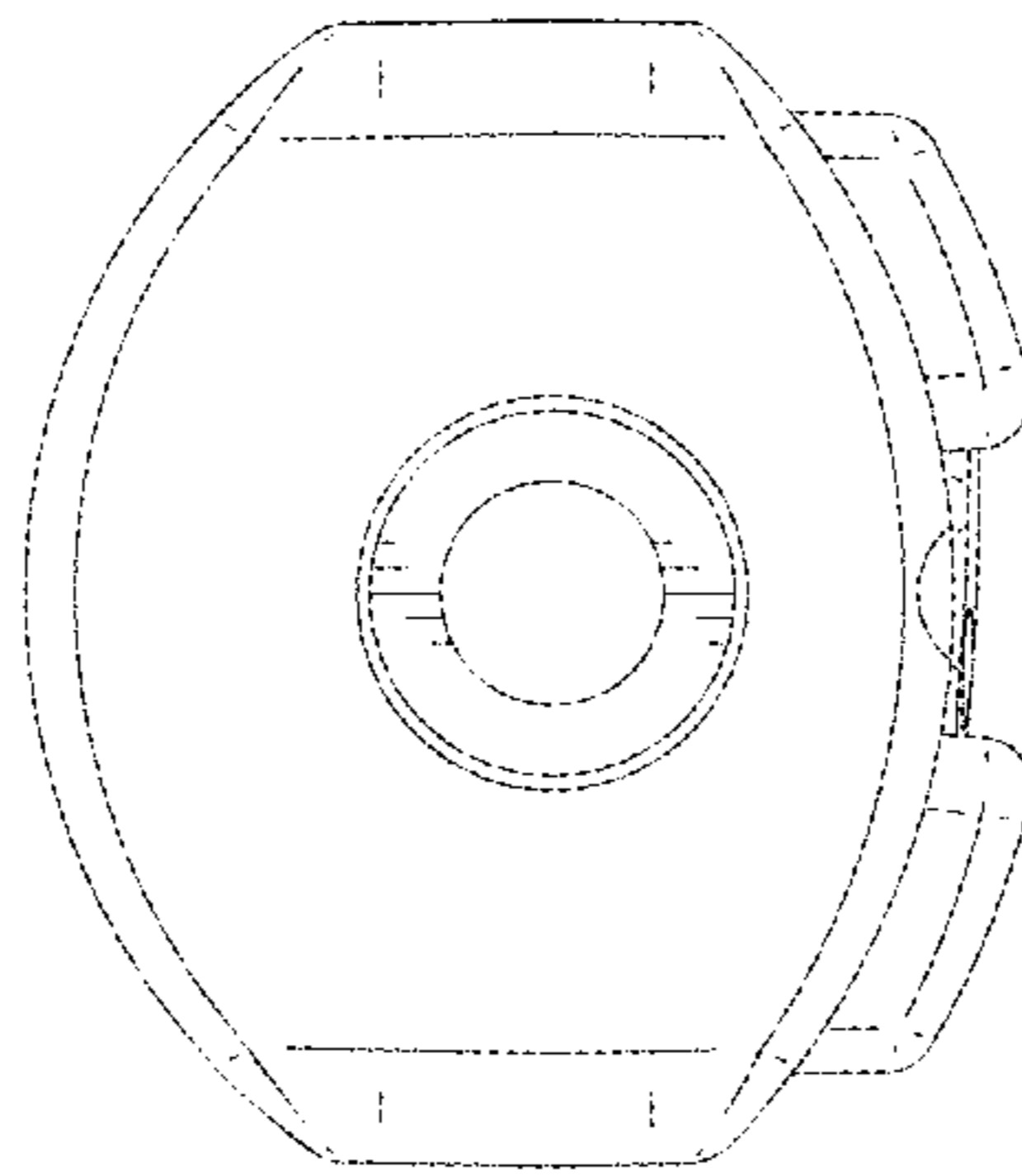


FIG.5

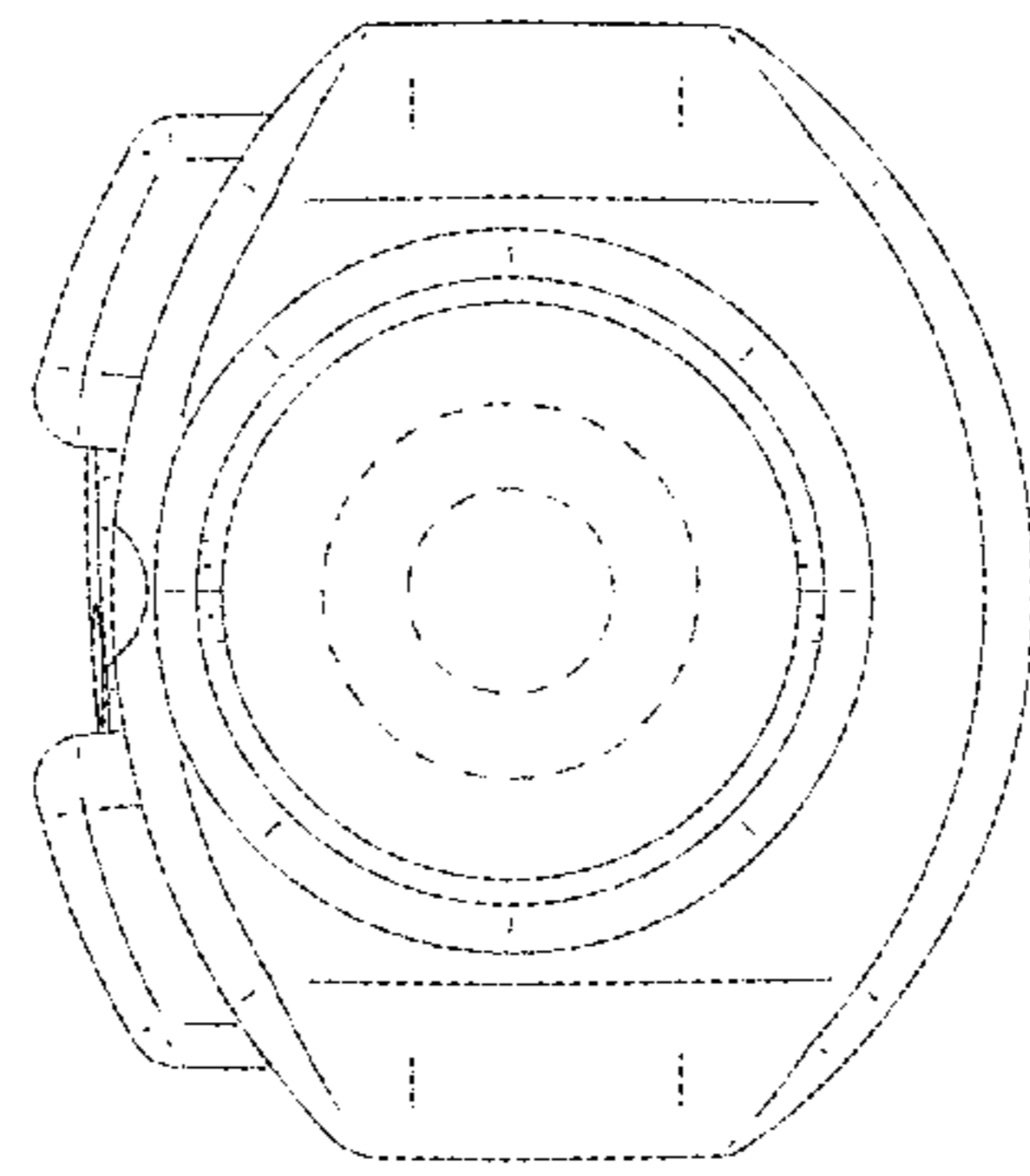


FIG.6

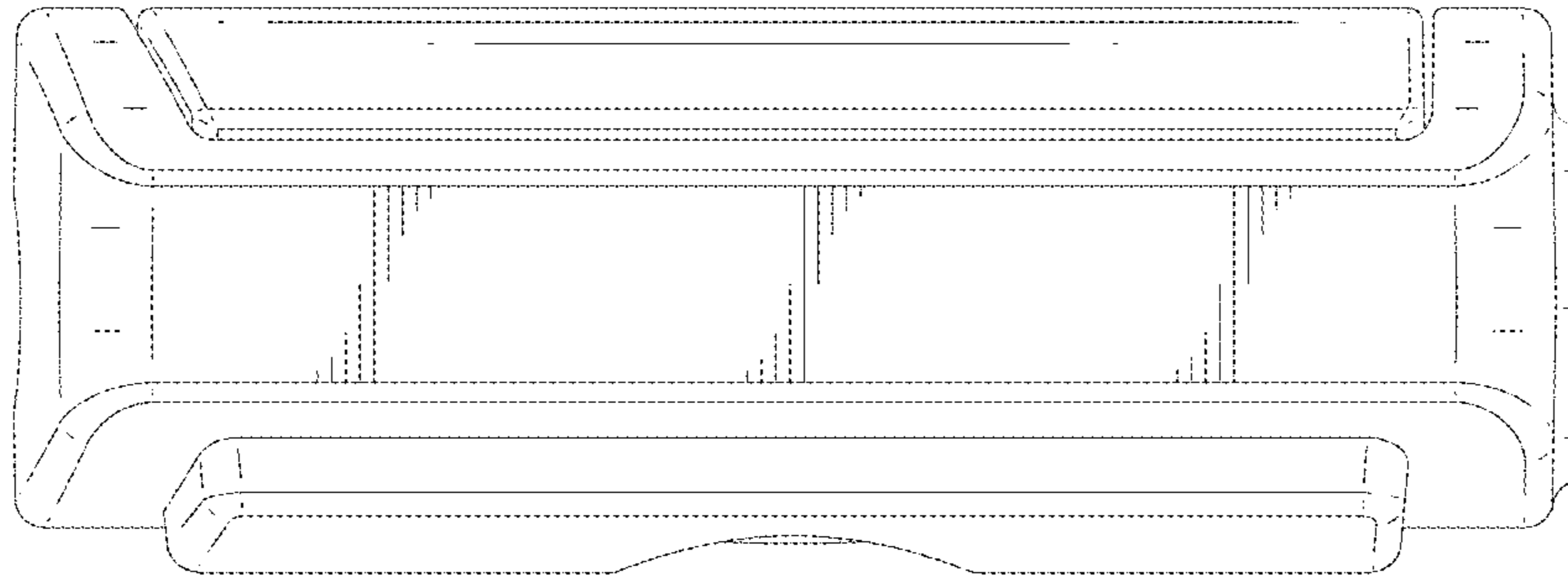


FIG.7



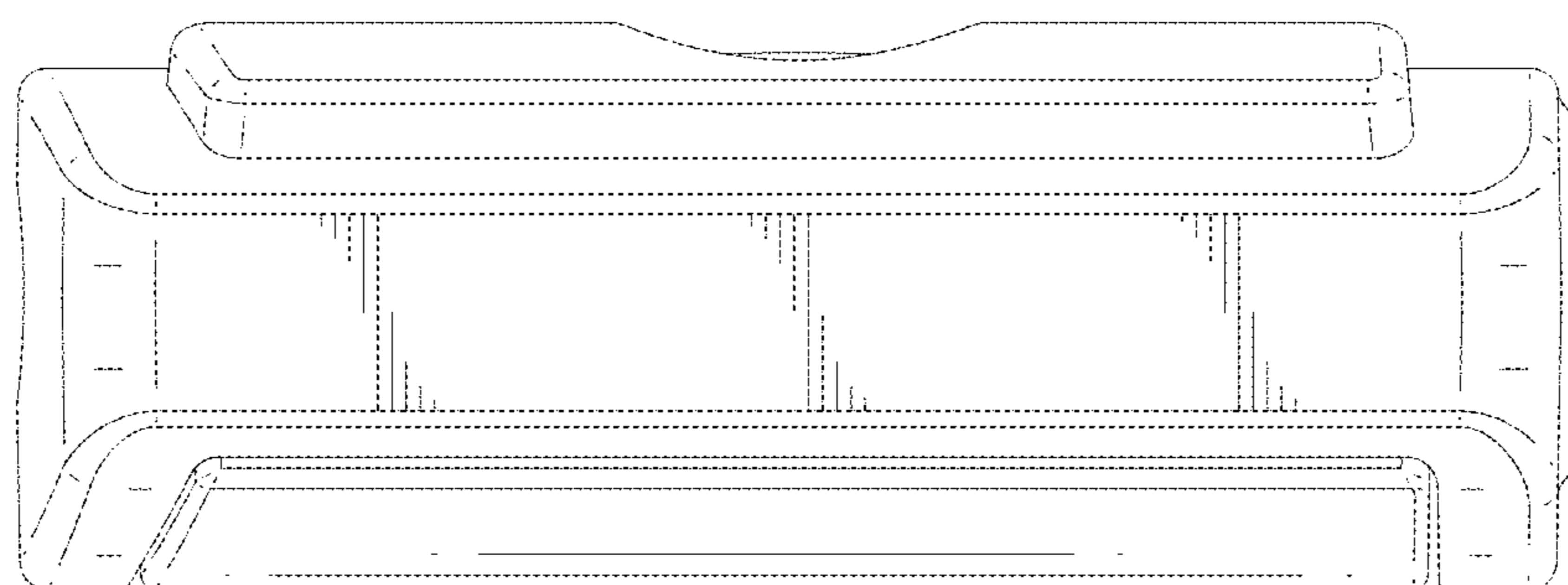


FIG.8

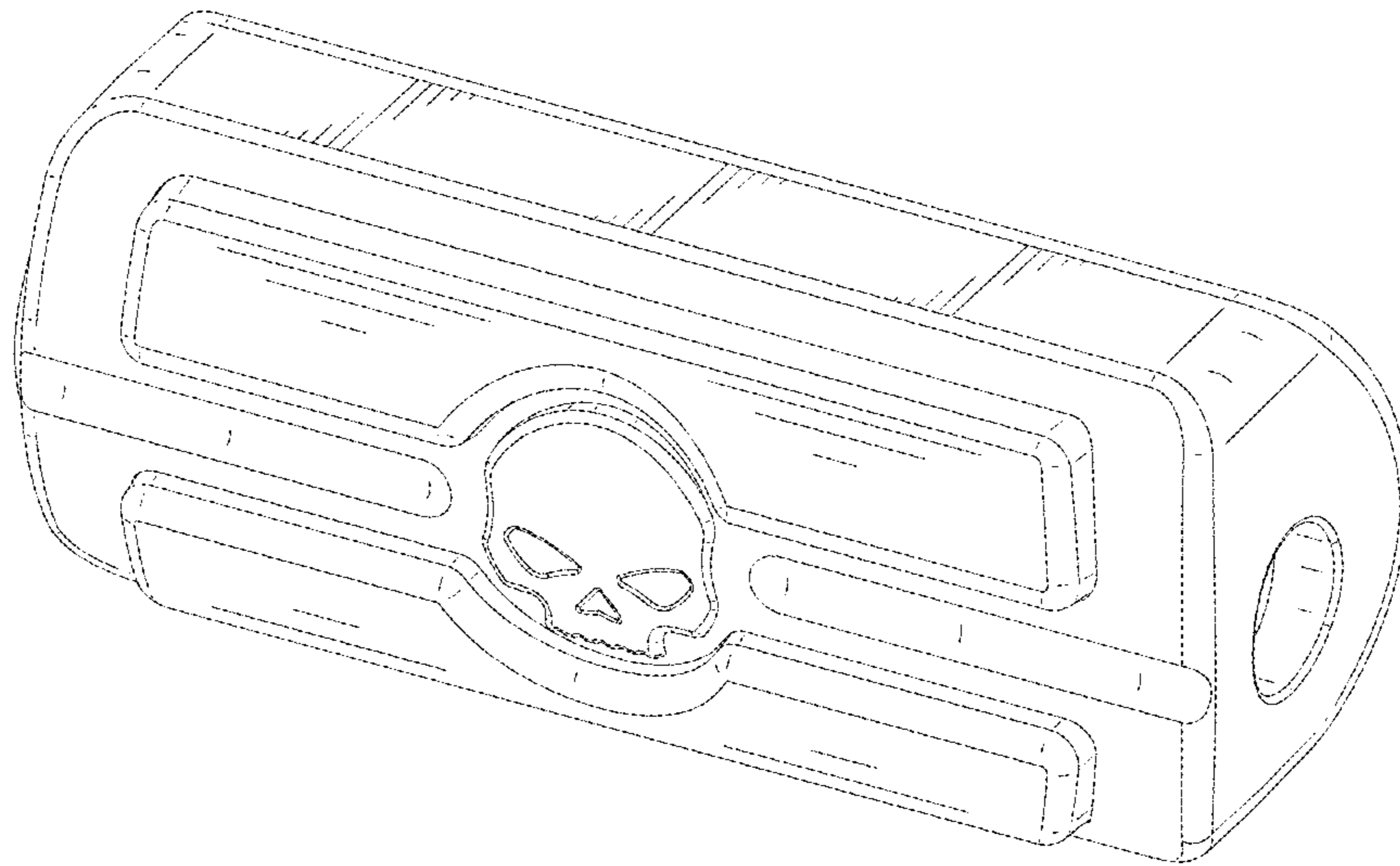


FIG.9

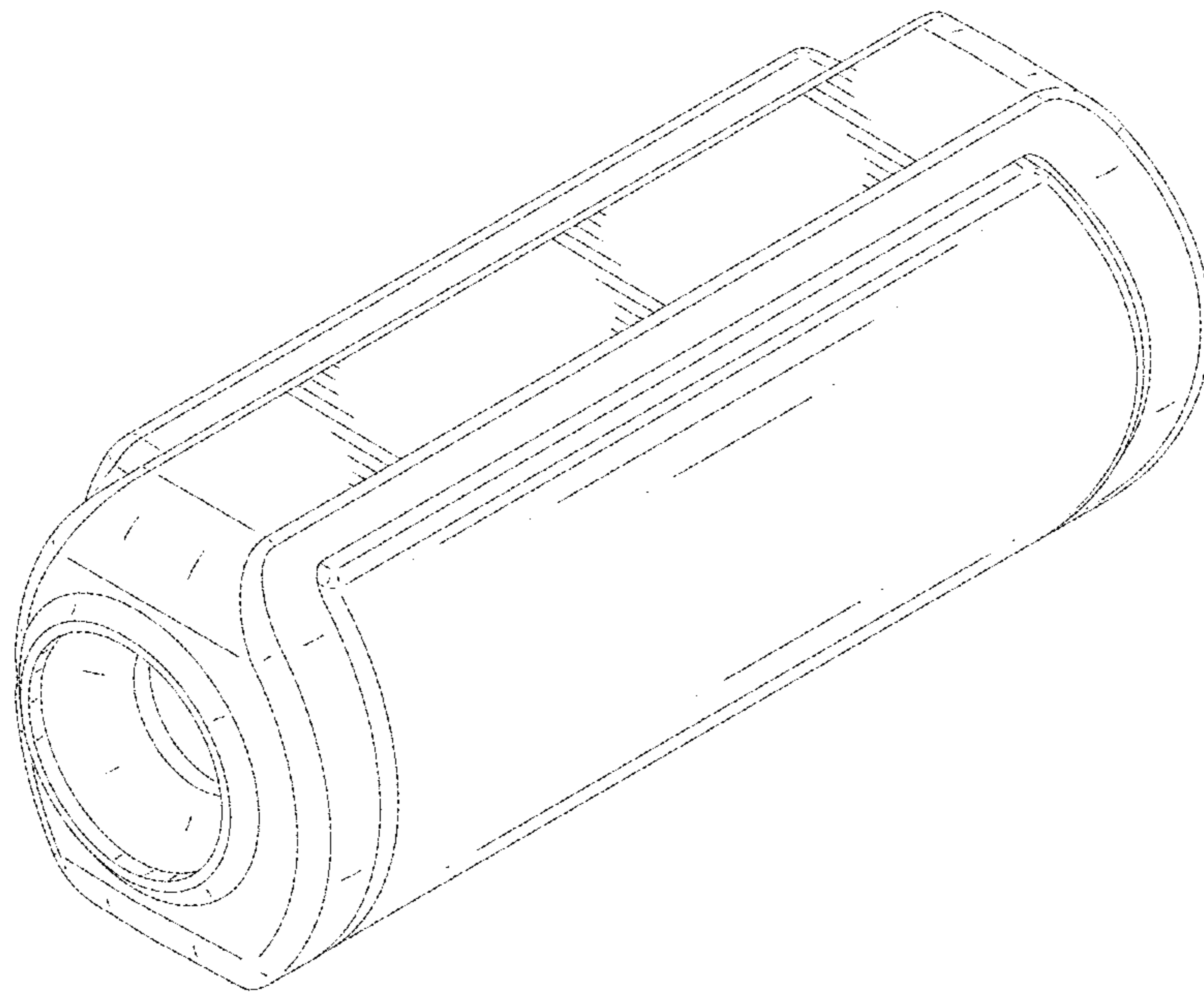


FIG.10

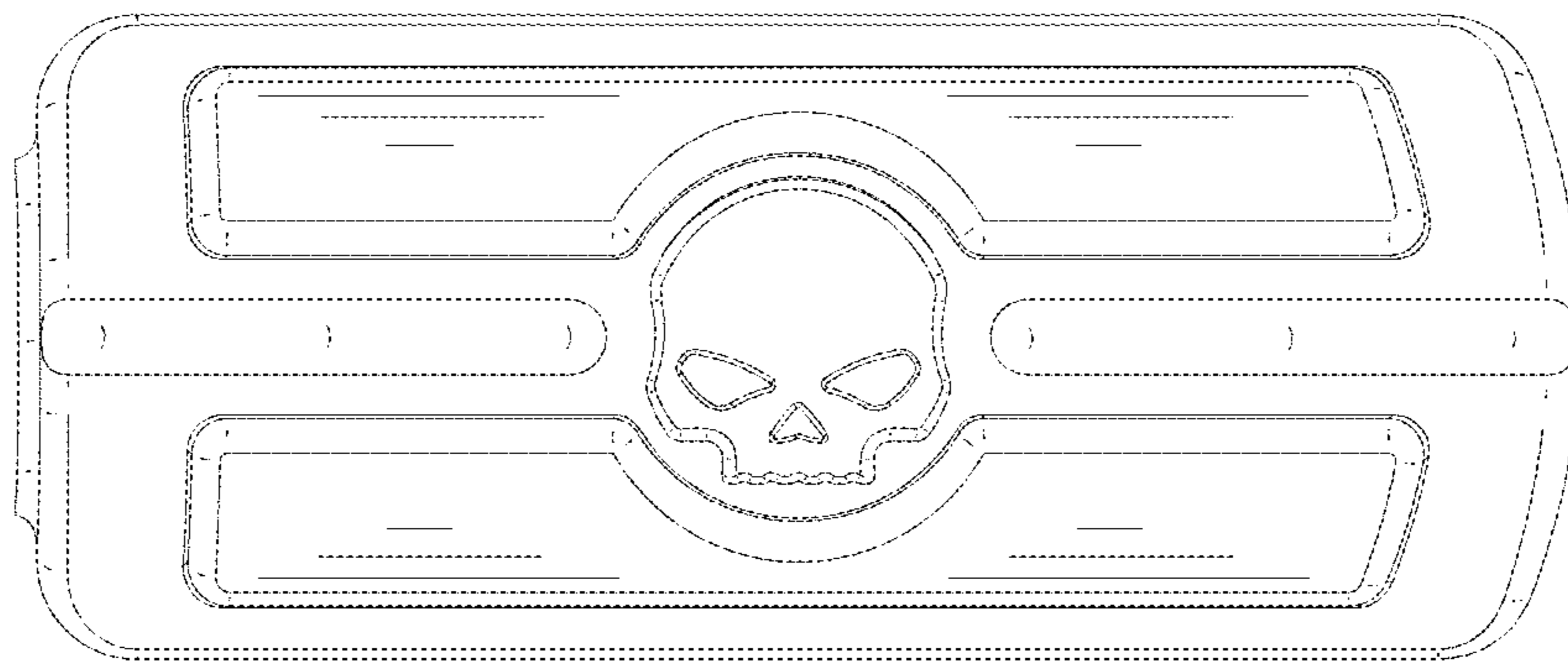


FIG.11

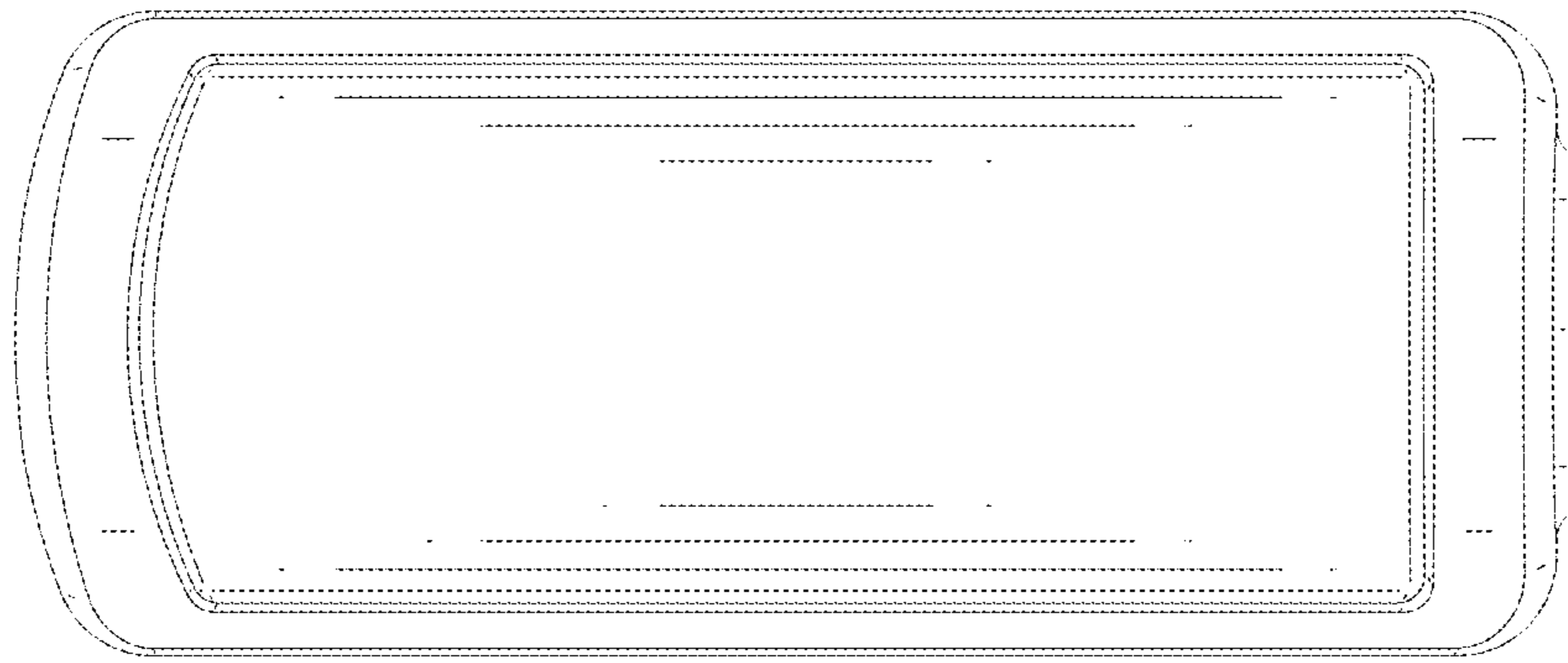


FIG.12

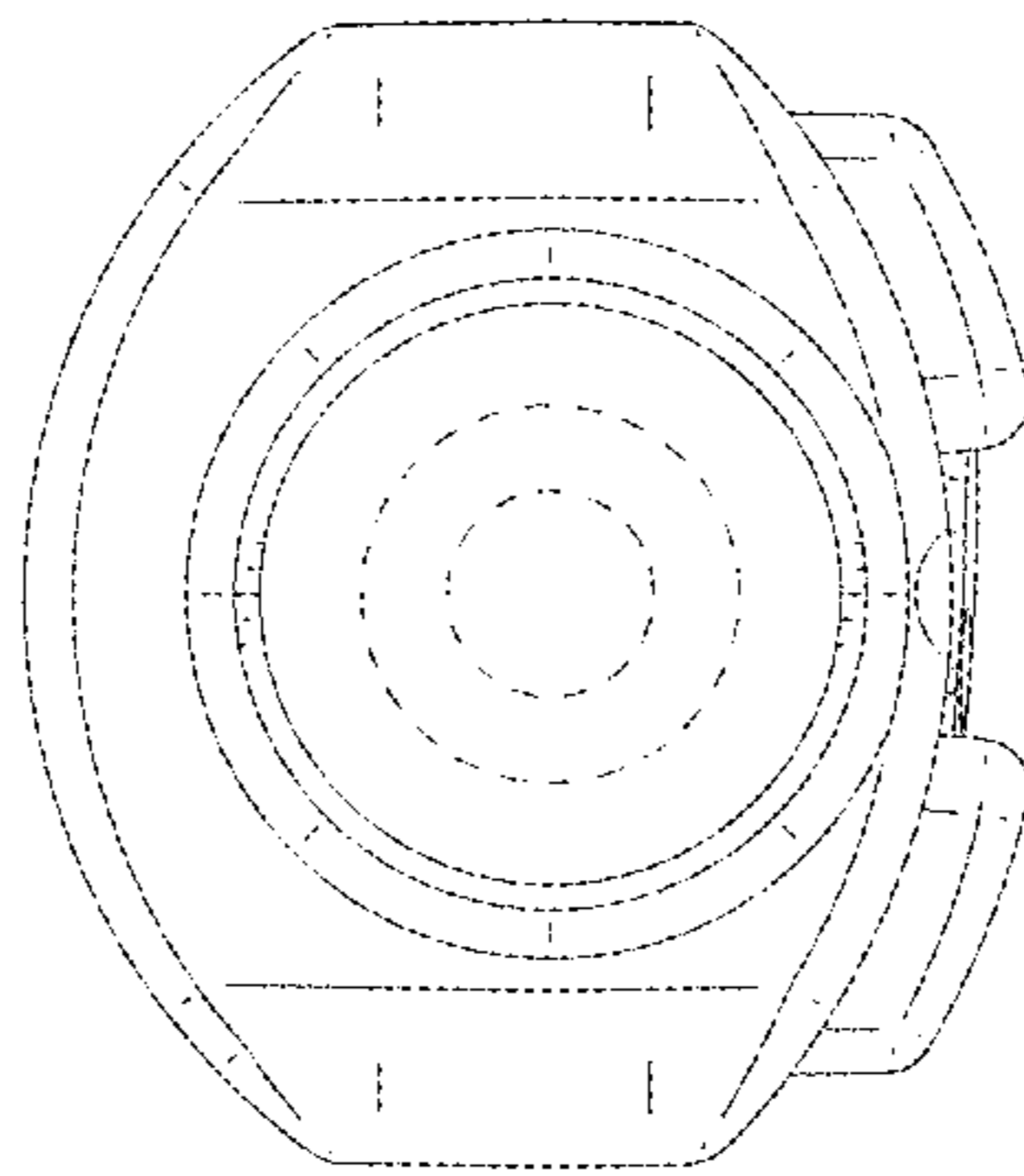


FIG.13

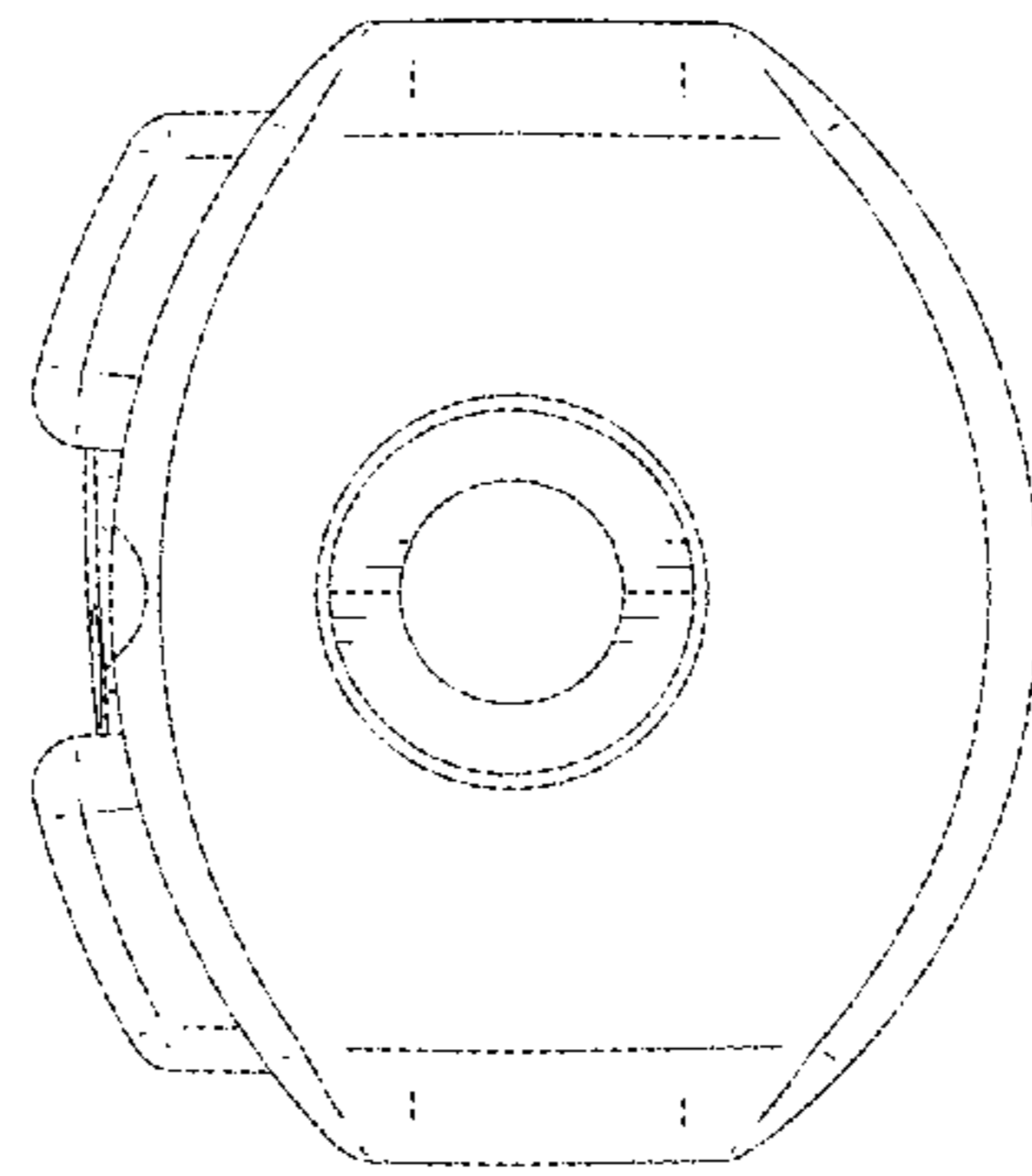


FIG.14

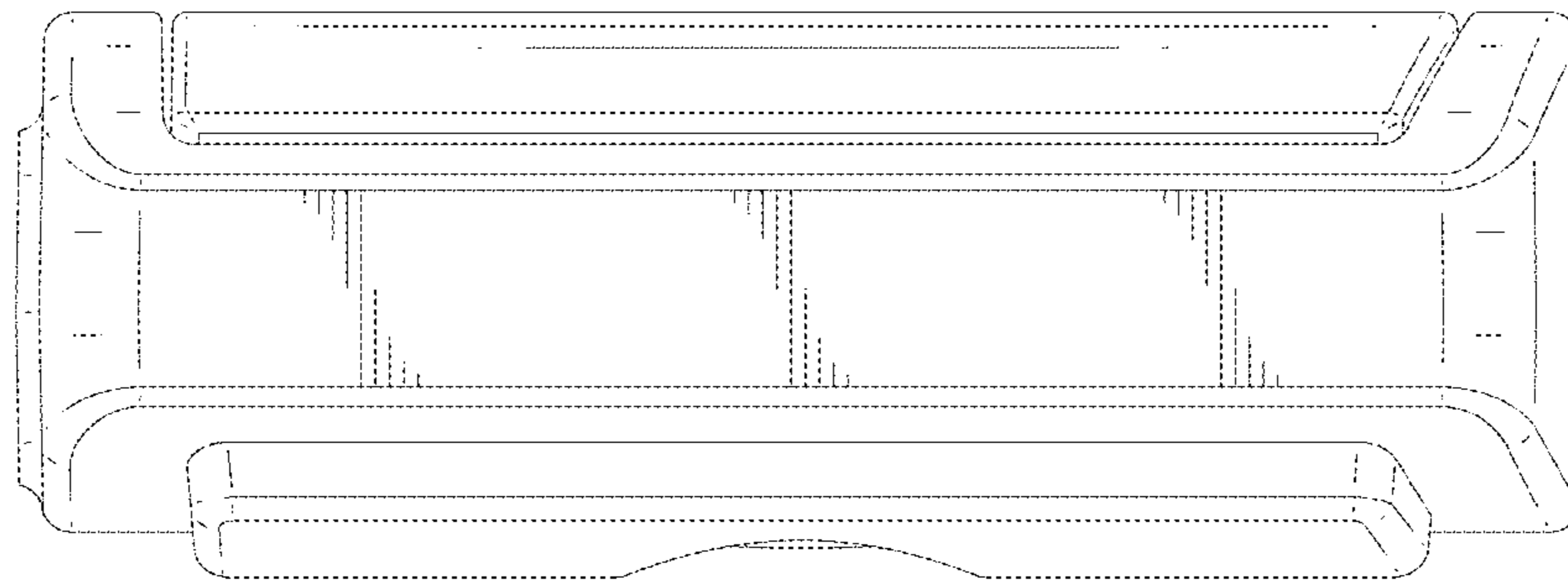


FIG.15



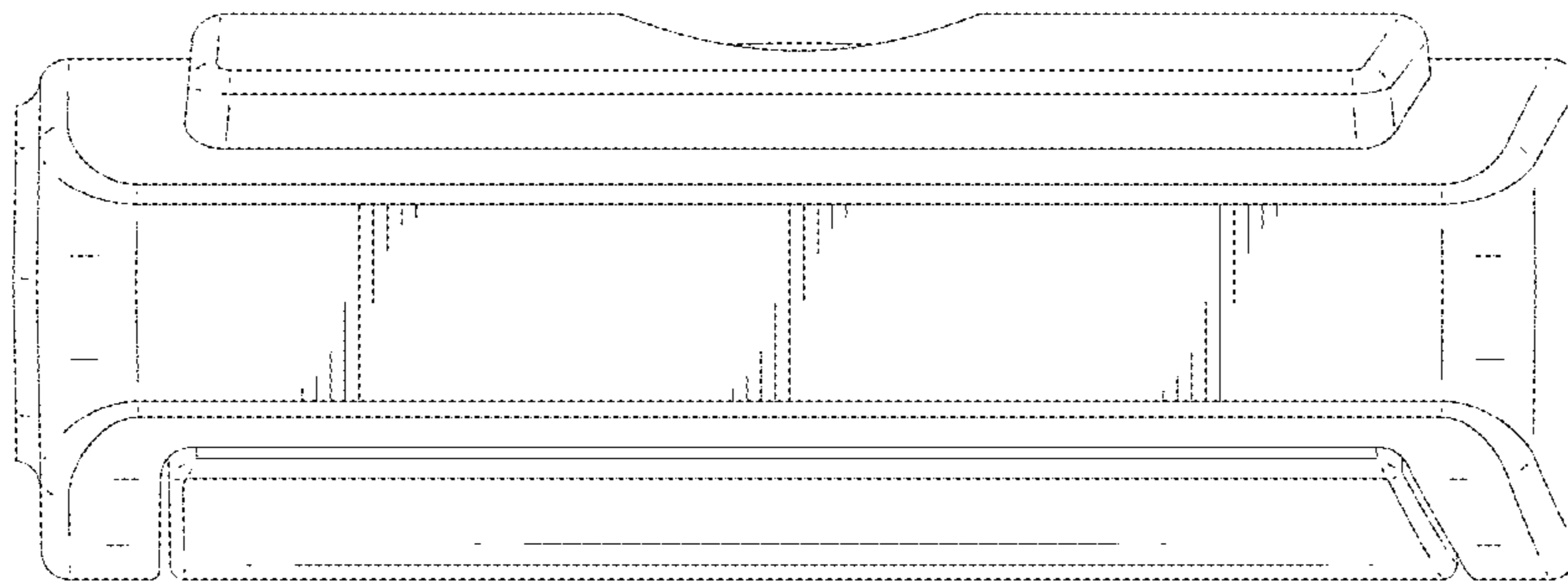


FIG.16