



US00D796384S

(12) **United States Design Patent**  
**Galluzzi**

(10) **Patent No.:** **US D796,384 S**

(45) **Date of Patent:** **\*\* Sep. 5, 2017**

(54) **MOTORCYCLE**

(71) Applicant: **PIAGGIO & C. S.p.A.**, Pontedera  
(Pisa) (IT)

(72) Inventor: **Miguel Galluzzi**, Pontedera (IT)

(73) Assignee: **PIAGGIO & C S.p.A.**, Pontadera  
(PISA) (IT)

(\*\*) Term: **15 Years**

(21) Appl. No.: **29/564,321**

(22) Filed: **May 12, 2016**

(30) **Foreign Application Priority Data**

Nov. 13, 2015 (EM) ..... 002859074

(51) **LOC (10) Cl.** ..... **12-11**

(52) **U.S. Cl.**  
USPC ..... **D12/110**

(58) **Field of Classification Search**

USPC ..... D12/110, 111, 117; D21/432, 538  
CPC ..... B62K 11/00; B62K 11/02; B62K 11/04;  
B62K 11/10; B62K 17/00; B62K 19/00;  
B62K 2202/00

See application file for complete search history.

(56) **References Cited**

**U.S. PATENT DOCUMENTS**

D305,520 S \* 1/1990 Kikuchi ..... D12/110  
D310,053 S \* 8/1990 Kishi ..... D12/110  
D383,096 S \* 9/1997 Abe ..... D12/110  
D395,849 S \* 7/1998 Maruyama ..... D12/110  
D444,103 S \* 6/2001 Robb ..... D12/110  
D472,852 S \* 4/2003 Chen ..... D12/110  
D492,222 S \* 6/2004 Uchiyama ..... D12/110

D497,573 S \* 10/2004 James ..... D12/110  
D504,640 S \* 5/2005 Conte ..... D12/110  
D513,209 S \* 12/2005 Shiau ..... D12/110  
D516,468 S \* 3/2006 Kuboshima ..... D12/110  
D538,202 S \* 3/2007 Shimizu ..... D12/110  
D543,905 S \* 6/2007 Domergue ..... D12/110  
D566,010 S \* 4/2008 Hohdorf ..... D12/110  
D566,011 S \* 4/2008 Hohdorf ..... D12/110  
D599,253 S \* 9/2009 Isokari ..... D12/110  
D601,061 S \* 9/2009 Heinrich ..... D12/110  
D603,759 S \* 11/2009 Nakazawa ..... D12/110  
D605,087 S \* 12/2009 Wong ..... D12/110  
D606,907 S \* 12/2009 Arai ..... D12/110  
D695,648 S \* 12/2013 Yamazaki ..... D12/110  
D715,696 S \* 10/2014 Sasanami ..... D12/110  
D718,670 S \* 12/2014 Kiska ..... D12/110  
D723,430 S \* 3/2015 Schmidt ..... D12/110  
D734,216 S \* 7/2015 Sasanami ..... D12/110  
D756,269 S \* 5/2016 Hahn-Woernle ..... D12/110

\* cited by examiner

*Primary Examiner* — Darlington Ly

(74) *Attorney, Agent, or Firm* — Thomas | Horstemeyer,  
LLP

(57) **CLAIM**

The ornamental design for a motorcycle, as shown and described.

**DESCRIPTION**

FIG. 1 is a front and left side perspective view of a motorcycle showing my new design;  
FIG. 2 is a front elevation view thereof;  
FIG. 3 is a rear elevation view thereof;  
FIG. 4 is a left side elevation view thereof;  
FIG. 5 is a right side elevation view thereof; and,  
FIG. 6 is a top plan view thereof.

**1 Claim, 6 Drawing Sheets**





FIG. 1



FIG. 2

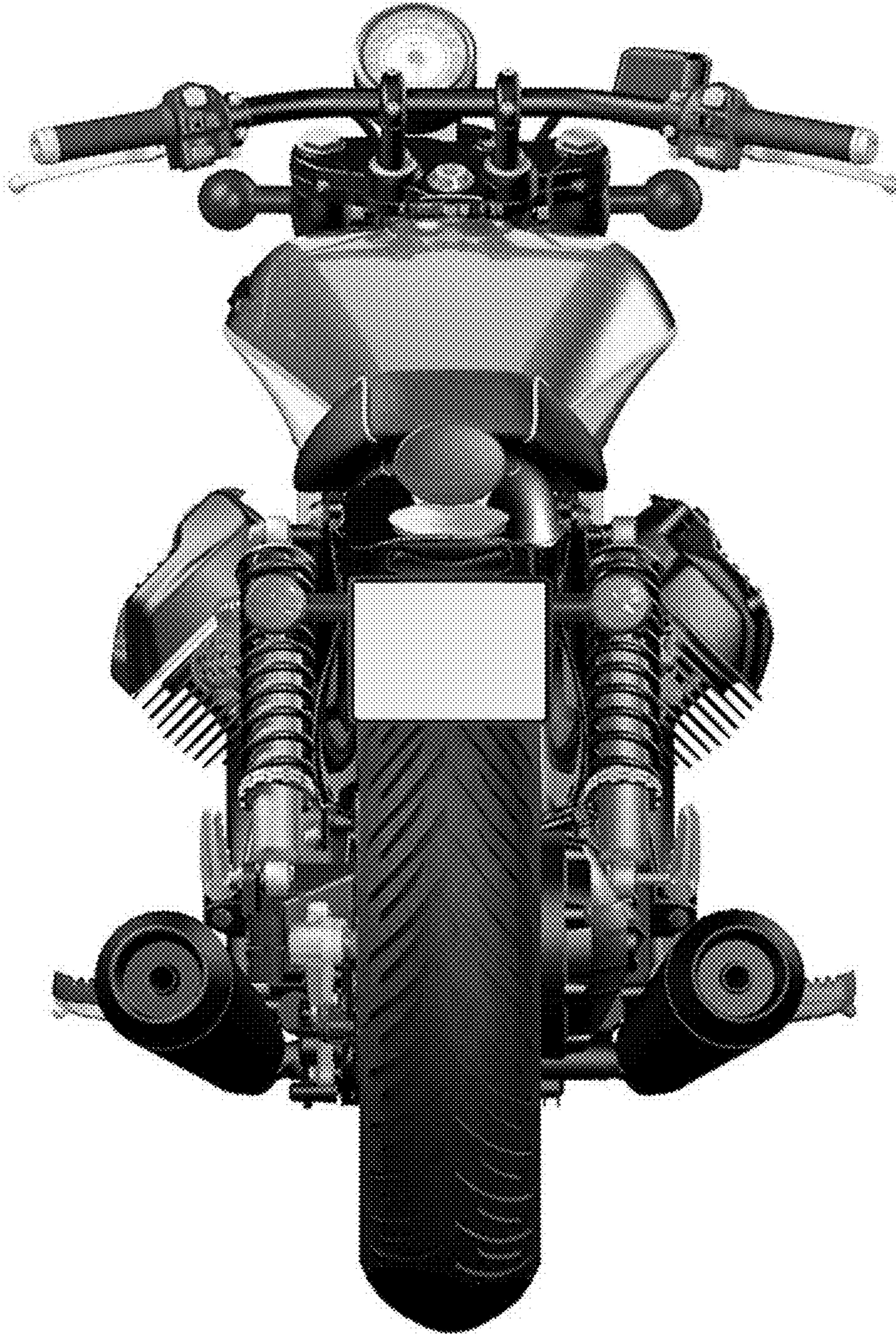


FIG. 3

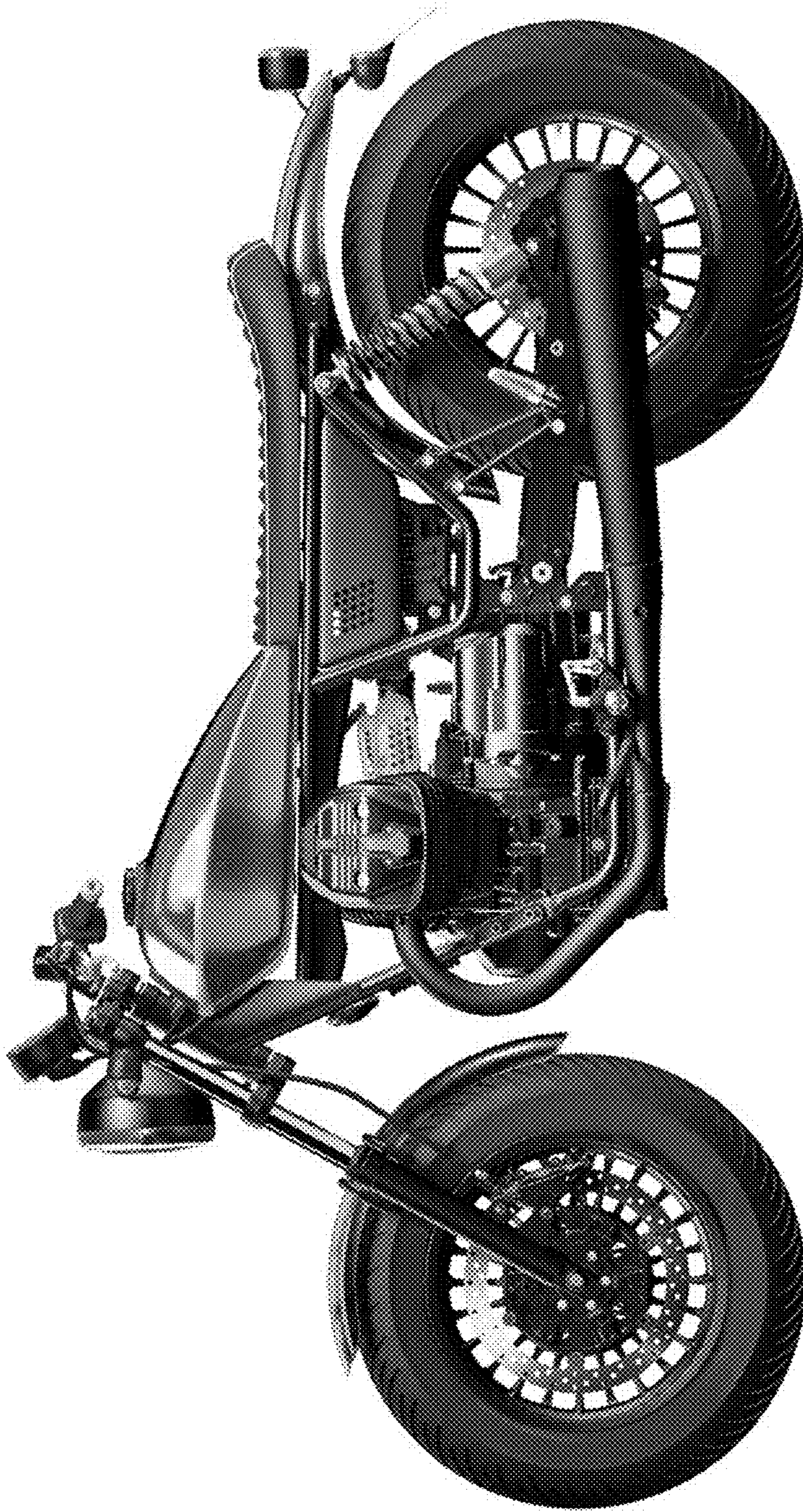


FIG. 4

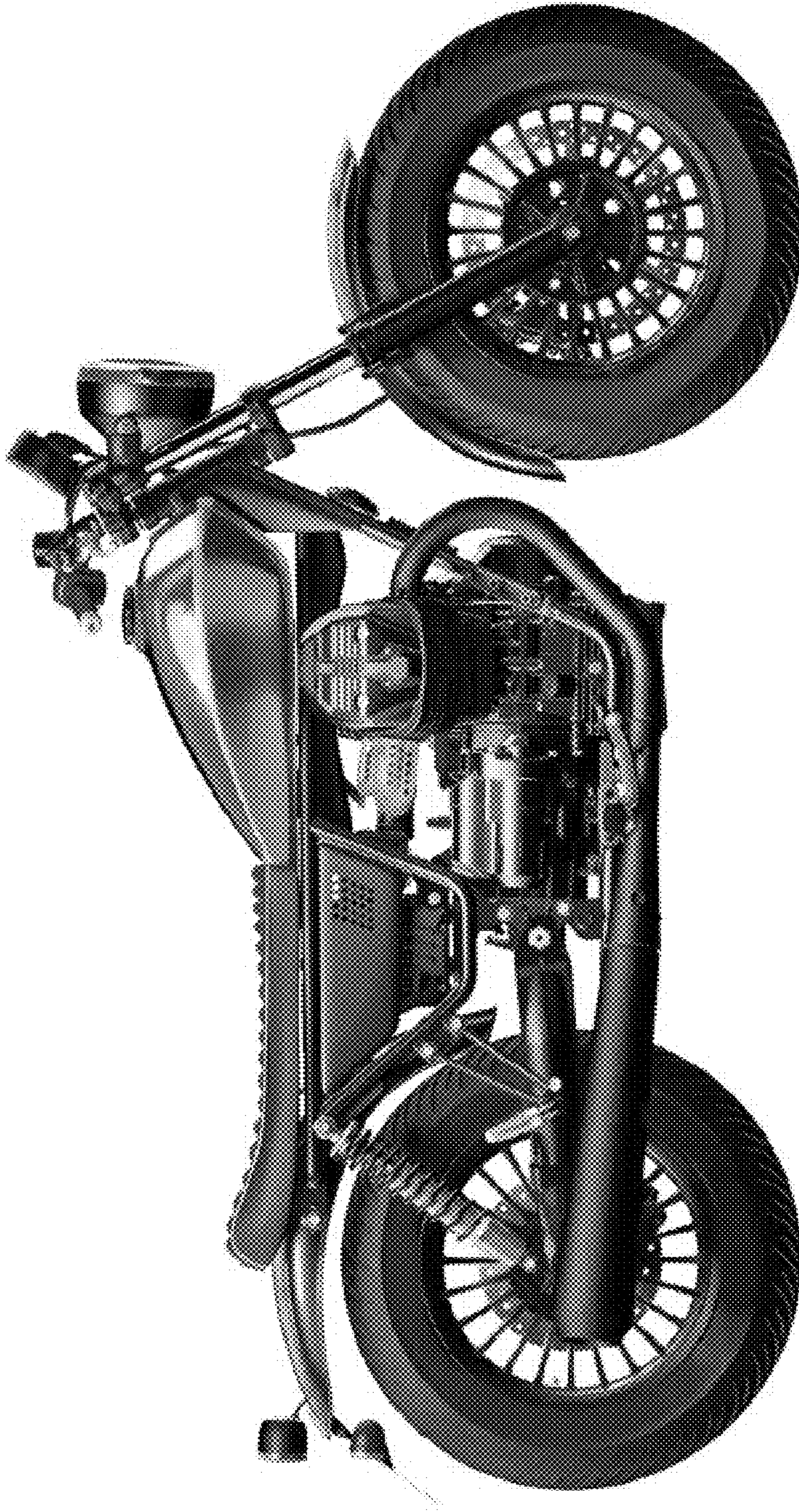


FIG. 5

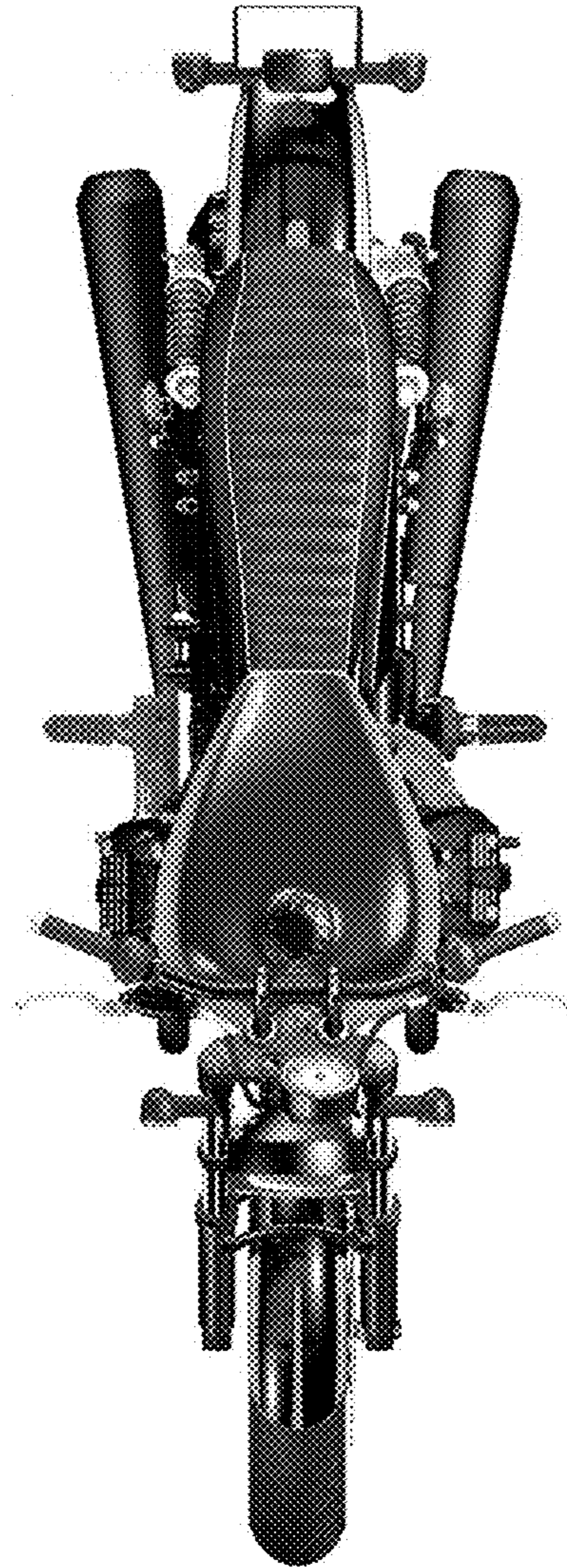


FIG. 6