

US00D796383S

(12) **United States Design Patent** (10) **Patent No.:** **US D796,383 S**
Lamb (45) **Date of Patent:** **** Sep. 5, 2017**

(54) **DECORATIVE HITCH RECEIVER PRONG**

(71) Applicant: **Dennis Lamb**, Jackson, WY (US)

(72) Inventor: **Dennis Lamb**, Jackson, WY (US)

(**) Term: **15 Years**

(21) Appl. No.: **29/586,572**

(22) Filed: **Dec. 5, 2016**

(51) **LOC (10) Cl.** **12-10**

(52) **U.S. Cl.**
USPC **D12/106**

(58) **Field of Classification Search**
USPC D12/190, 106, 192, 400, 90, 191, 92,
D12/199, 197, 186, 171, 169, 163, 110,
D12/114; D11/211, 181, 157, 133, 172;
D20/11, 23, 24, 25, 30, 31, 32
CPC B60J 10/35; B60J 10/02; B60J 10/0011
See application file for complete search history.

(56) **References Cited**

U.S. PATENT DOCUMENTS

D349,800 S *	8/1994	Chambers	D12/106
D358,698 S *	5/1995	Henry	D12/106
D414,307 S *	9/1999	Quaas	D12/106
D662,863 S *	7/2012	Scruggs	D12/162
D680,471 S *	4/2013	Scruggs	D12/162
D686,954 S *	7/2013	Scruggs	D12/162
2003/0201289 A1 *	10/2003	Swain	B62D 35/007 224/519
2008/0061840 A1 *	3/2008	Godbersen	D12/106

2011/0156370 A1 *	6/2011	Burger	B60D 1/06 280/491.2
2014/0015237 A1 *	1/2014	Mayfield	B60D 1/48 280/762
2014/0306427 A1 *	10/2014	Edwards	B60D 1/28 280/507
2015/0217703 A1 *	8/2015	Deming	B60R 11/06 224/519
2016/0167568 A1 *	6/2016	Salami, Jr.	B60Q 1/0035 362/523

* cited by examiner

Primary Examiner — Katrina A Betton
(74) *Attorney, Agent, or Firm* — James A. Sheridan;
Sheridan Law, LLC

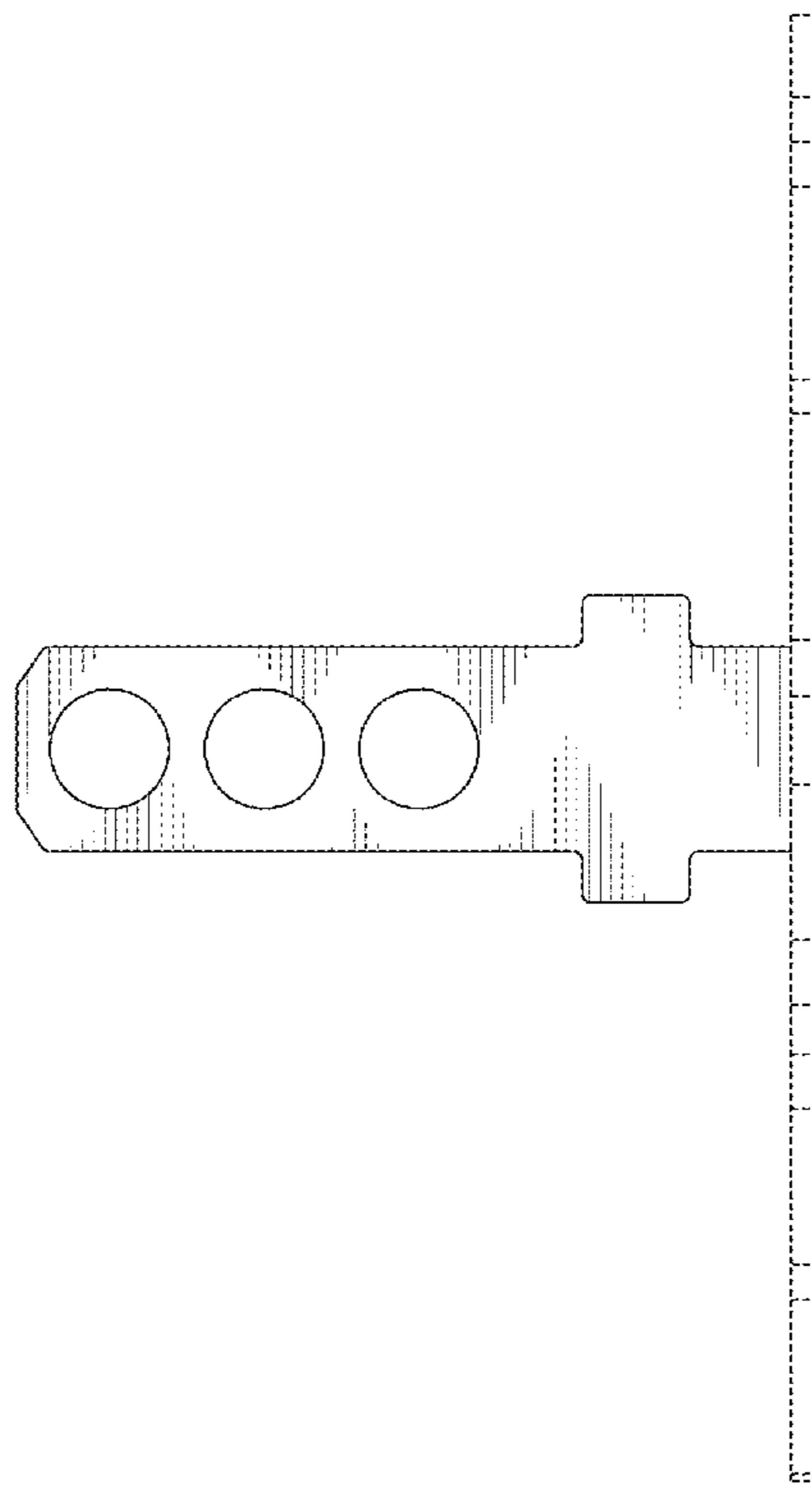
(57) **CLAIM**

The ornamental design for a decorative hitch receiver prong, as shown and described.

DESCRIPTION

FIG. 1 is a perspective view of a decorative hitch receiver prong, showing my new design;
FIG. 2 is a front elevational view thereof;
FIG. 3 is a rear elevational view thereof;
FIG. 4 is a left side elevational view thereof;
FIG. 5 is a right side elevational view thereof;
FIG. 6 is a top plan view thereof;
FIG. 7 is a bottom plan view thereof; and,
FIG. 8 is a perspective view thereof.
In the drawings, the broken lines depict a hitch plate and receiver that form no part of the claimed design.

1 Claim, 8 Drawing Sheets



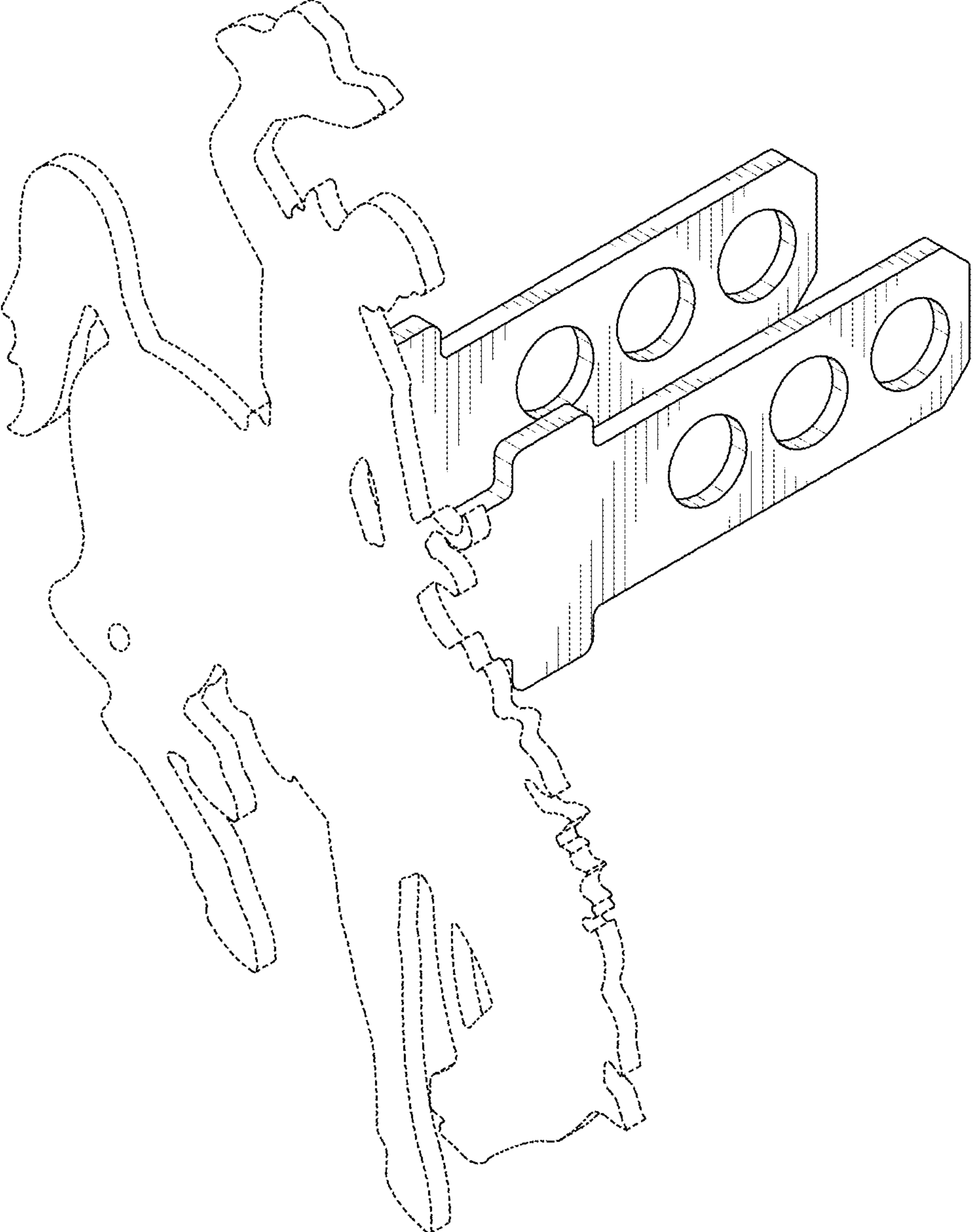


FIG. 1



FIG. 2

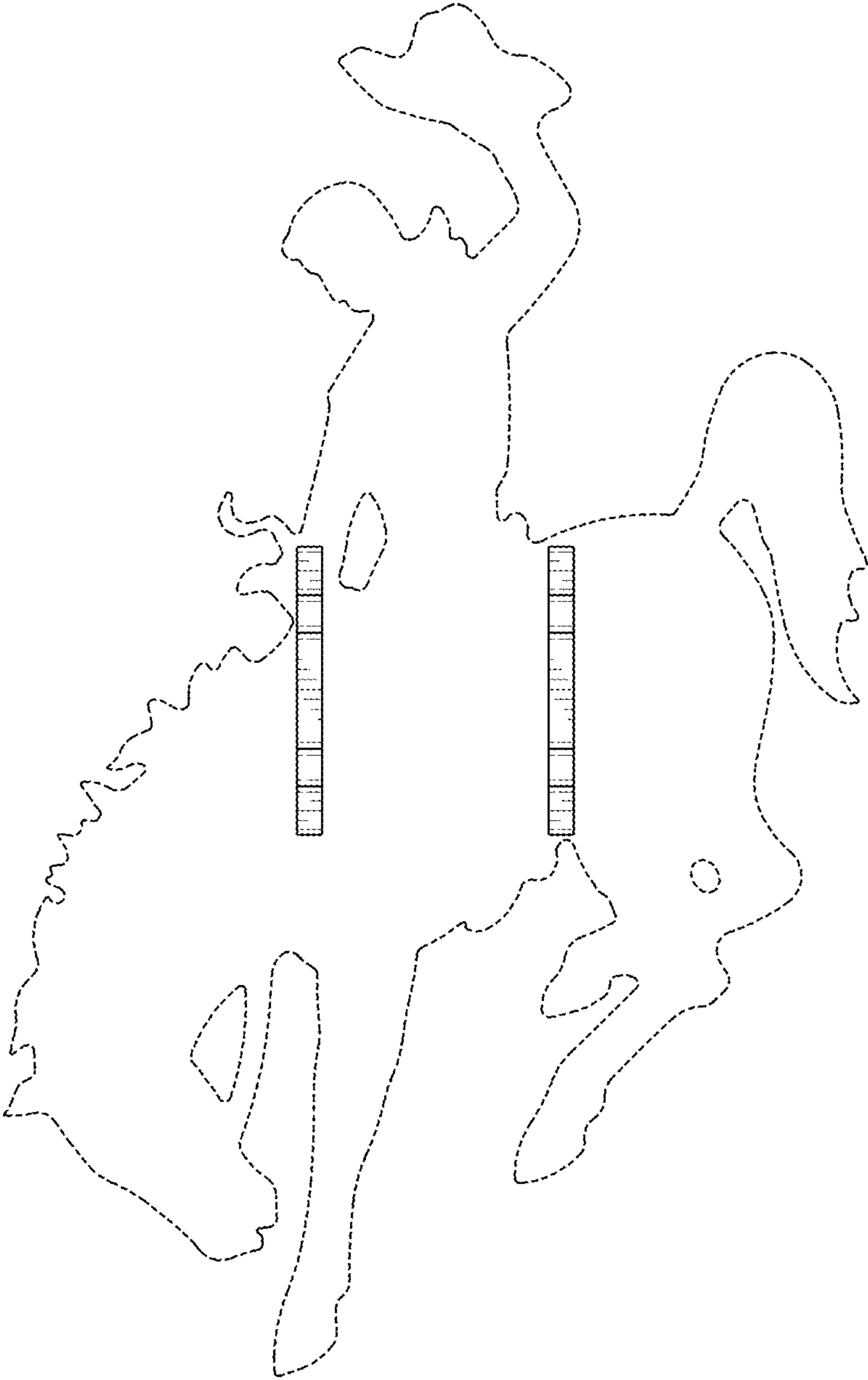


FIG. 3

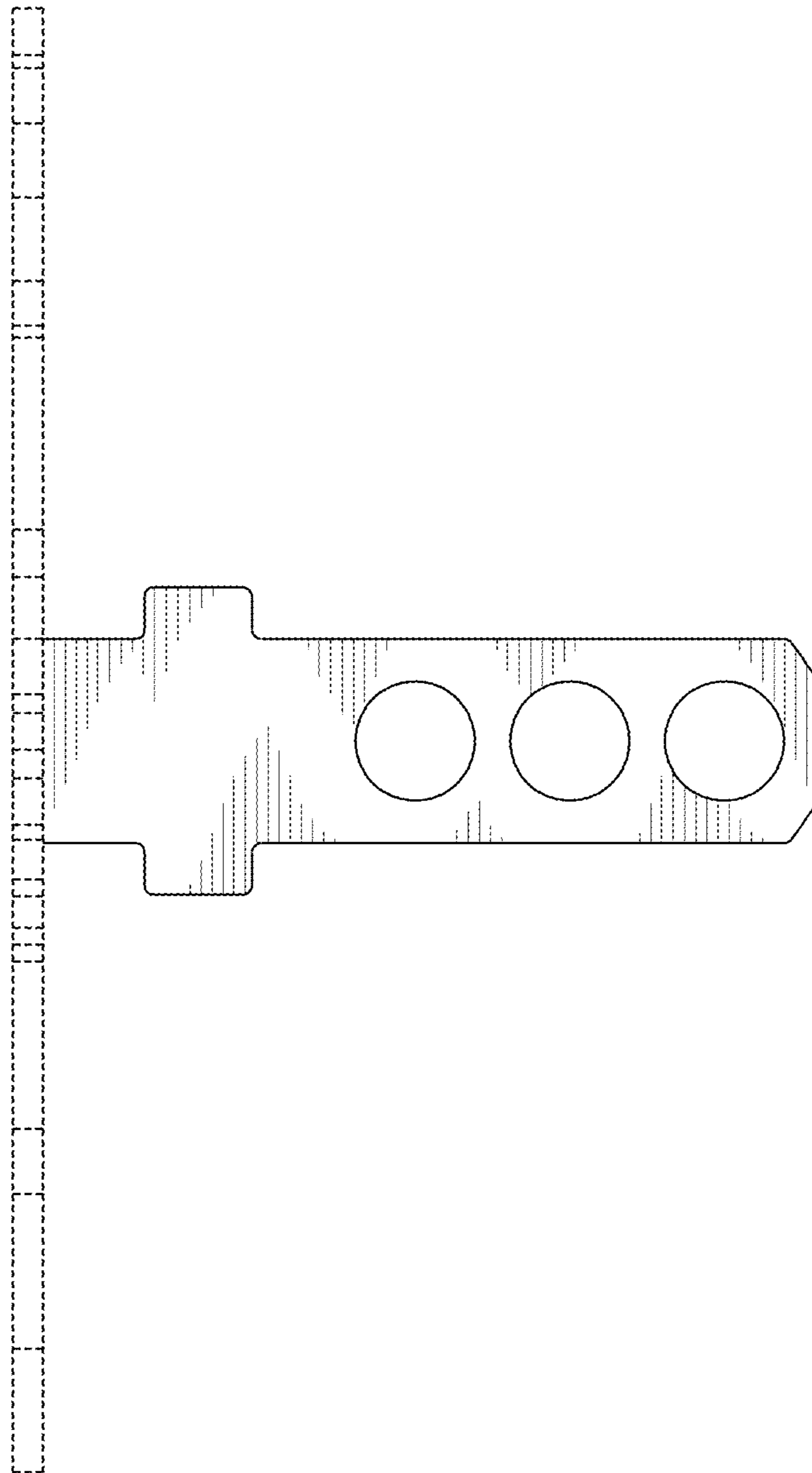


FIG. 4

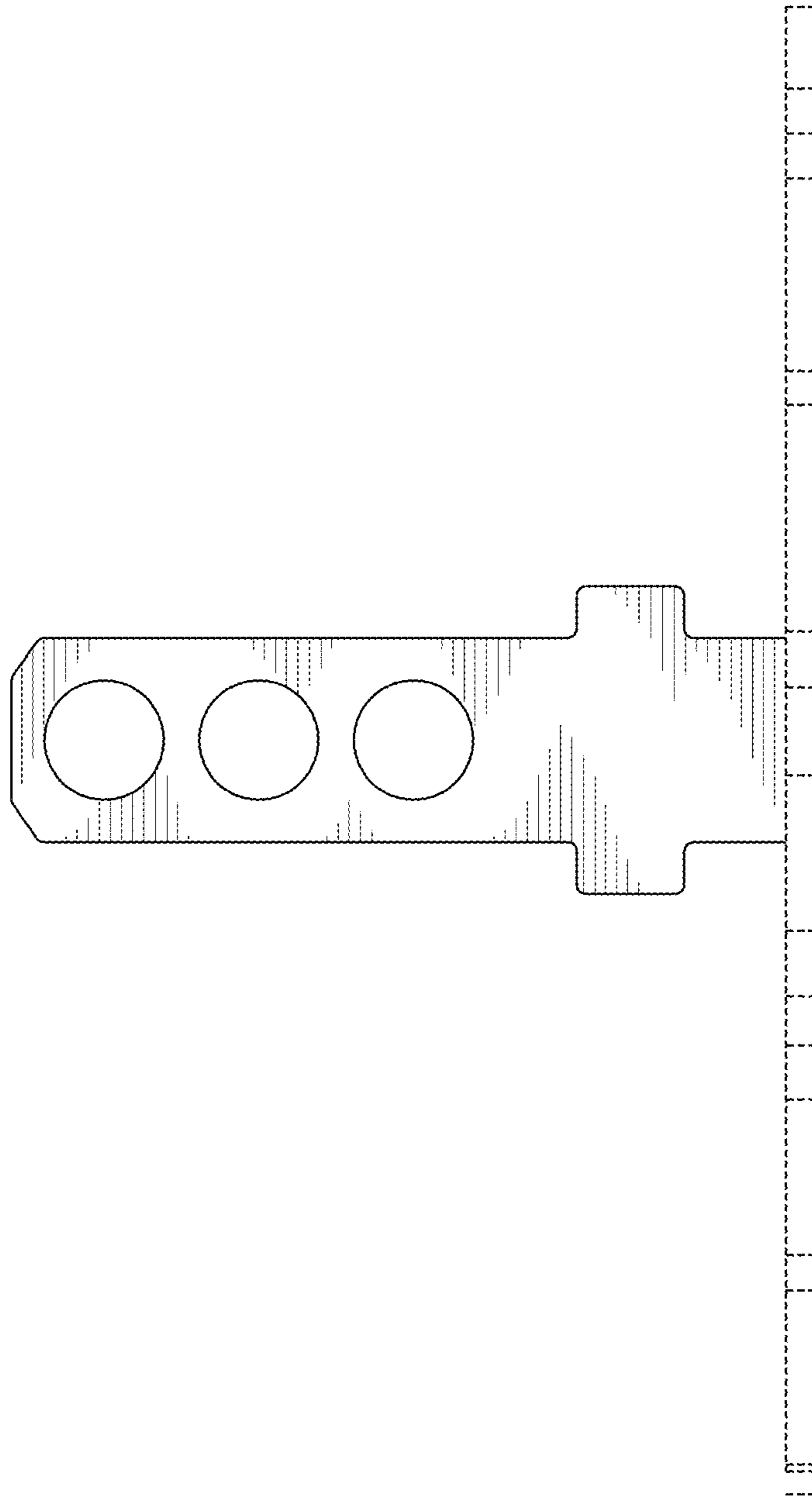


FIG. 5

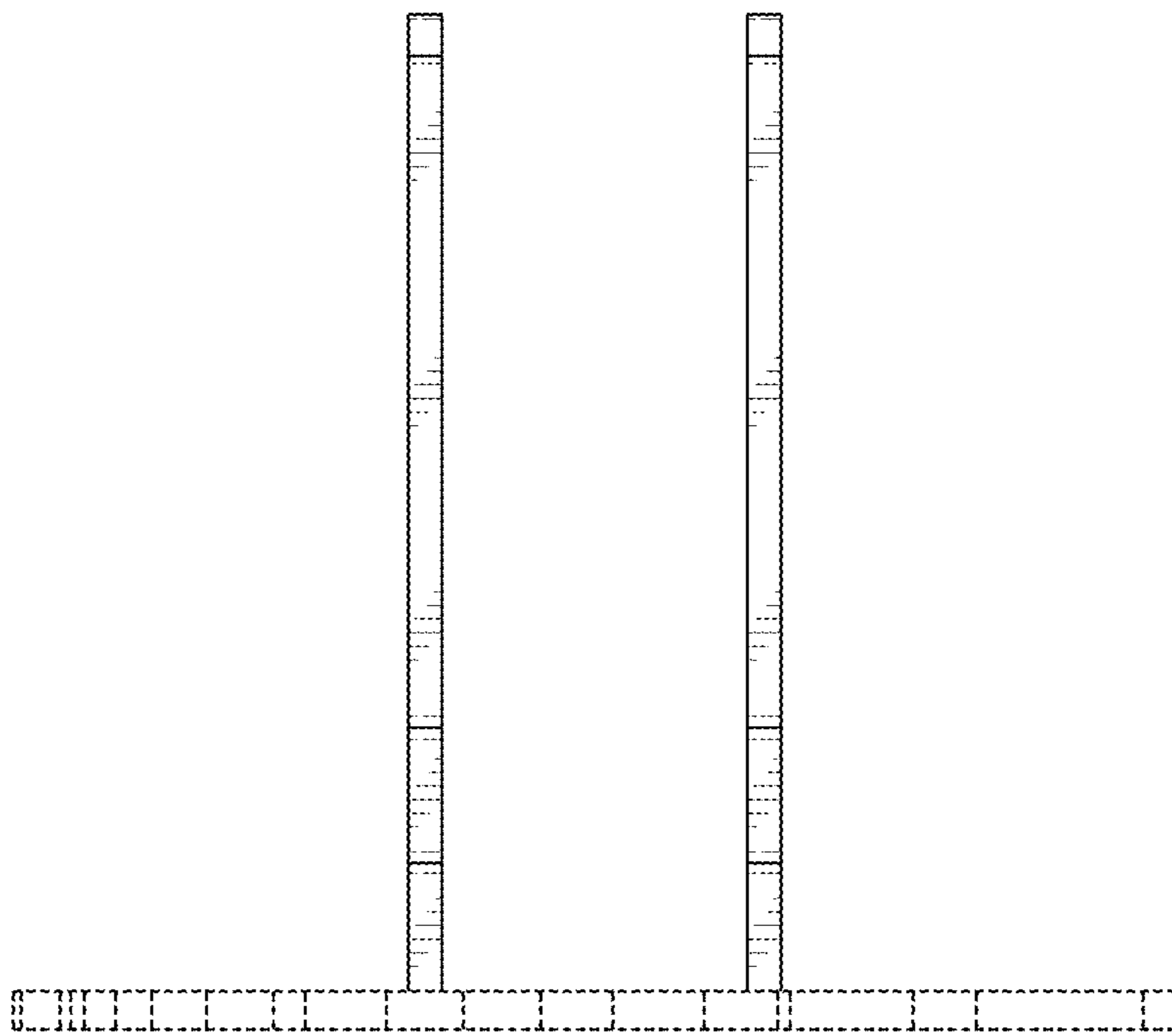


FIG. 6

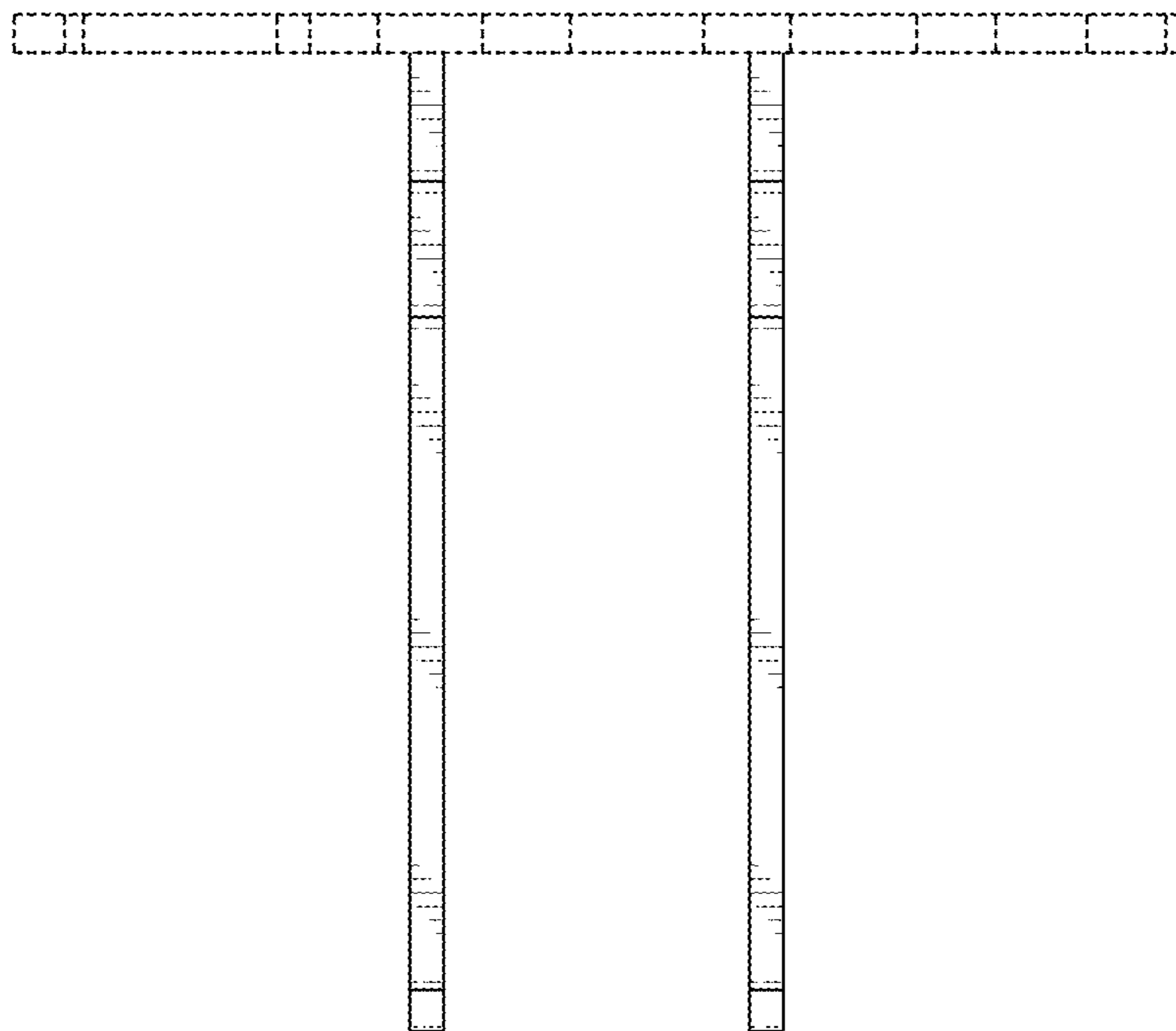


FIG. 7

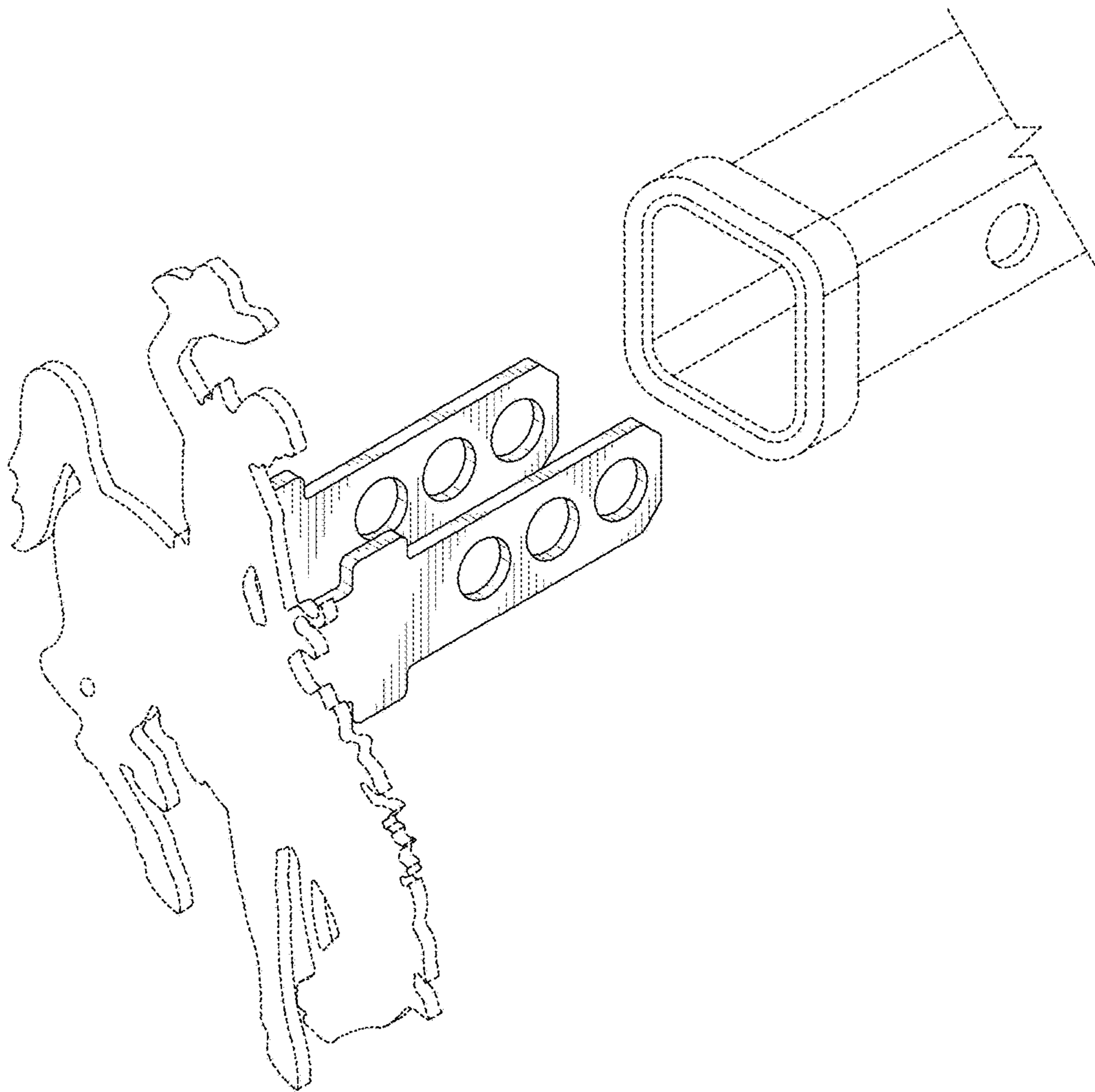


FIG. 8